

US00D501461S

(12) **United States Design Patent**  
**Tanoni**

(10) **Patent No.:** **US D501,461 S**  
(45) **Date of Patent:** **\*\* Feb. 1, 2005**

(54) **LOUDSPEAKERS**

6,035,962 A \* 3/2000 Lin ..... 181/199  
D471,175 S \* 3/2003 Lo ..... D14/185  
D473,212 S \* 4/2003 Nugent et al. .... D14/214

(75) **Inventor:** **Bruno Tanoni**, Recanati (IT)

\* cited by examiner

(73) **Assignee:** **F.B.T. Elettronica S.p.A.**, Recanati (MC) (IT)

*Primary Examiner*—Nanda Bondade

(\*\*) **Term:** **14 Years**

(74) *Attorney, Agent, or Firm*—Armstrong, Kratz, Quintos, Hanson & Brooks, LLP

(21) **Appl. No.:** **29/182,029**

(57) **CLAIM**

(22) **Filed:** **May 19, 2003**

The ornamental design for a loudspeaker, as shown and described.

(30) **Foreign Application Priority Data**

**DESCRIPTION**

Mar. 4, 2003 (IT) ..... MC2003O0007

(51) **LOC (7) Cl.** ..... **14-01**

FIG. 1 is a left perspective view of a loudspeaker, showing my new design.

(52) **U.S. Cl.** ..... **D14/214**

FIG. 2 is a right perspective view thereof.

(58) **Field of Search** ..... D14/204, 207, D14/209–216, 356; 181/143–145, 147–148, 150, 153, 157, 198–199; 381/300–302, 306, 333, 345, 361–364, 386–388

FIG. 3 is a front elevational view thereof.

FIG. 4 is a rear elevational view thereof.

FIG. 5 is a right side elevational view thereof.

FIG. 6 is a left side elevational view thereof.

FIG. 7 is a top plan elevational view thereof; and,

FIG. 8 is a bottom plan elevational view thereof.

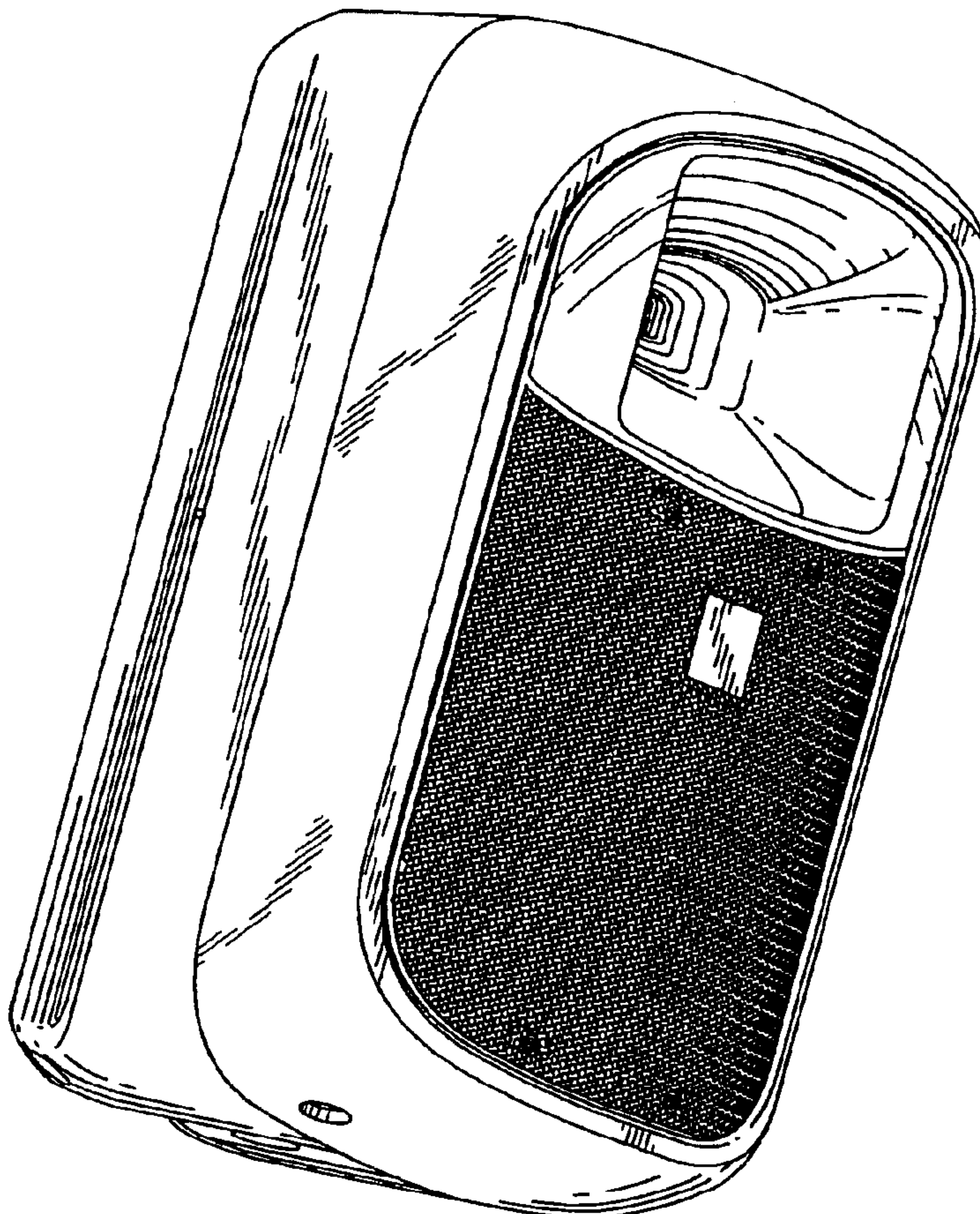
FIGS. 1 and 2 are on a reduced scale.

(56) **References Cited**

**U.S. PATENT DOCUMENTS**

D276,518 S \* 11/1984 Clemans ..... D14/214  
4,805,729 A \* 2/1989 Wascom ..... 181/144

**1 Claim, 8 Drawing Sheets**



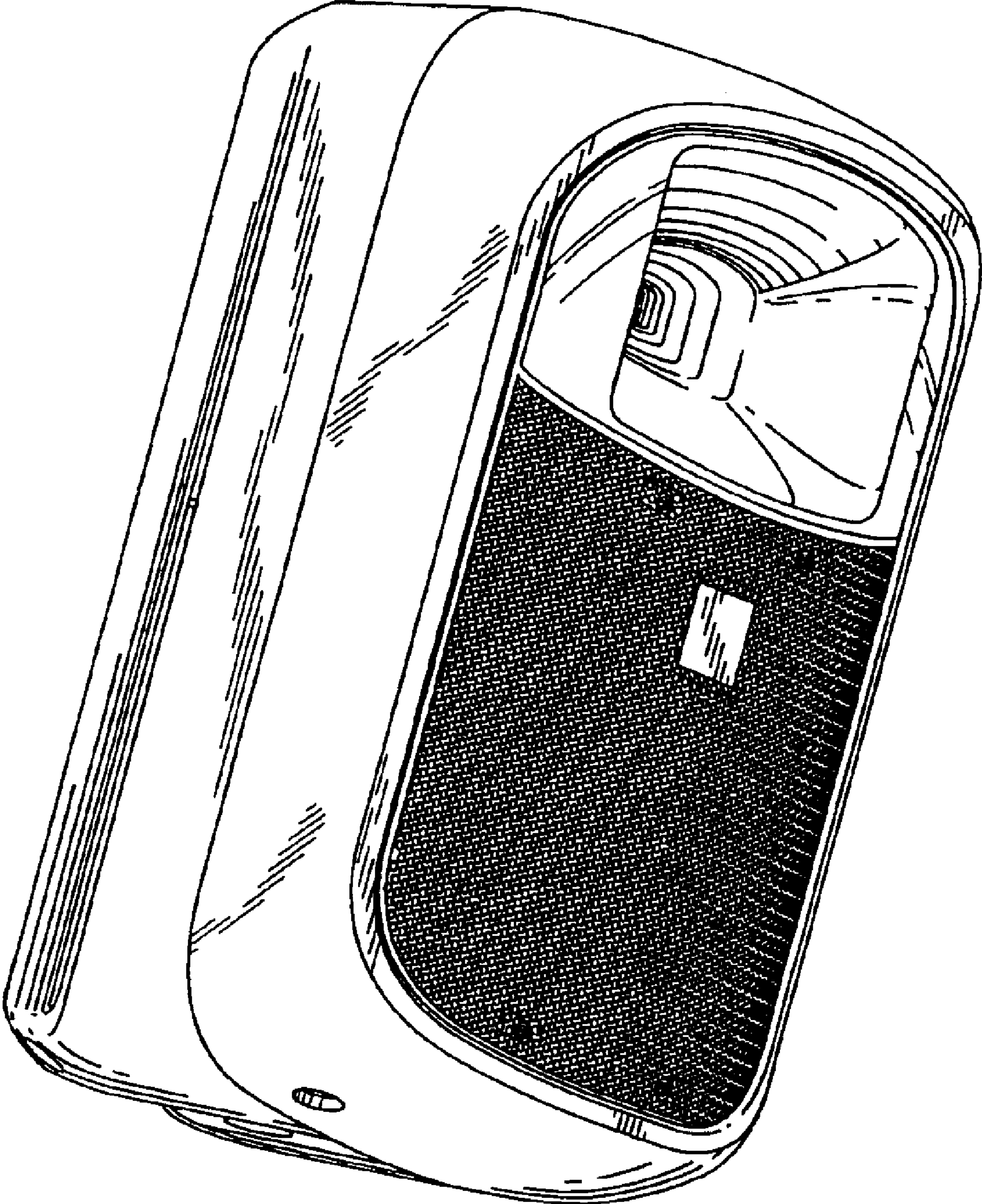


Fig. 1

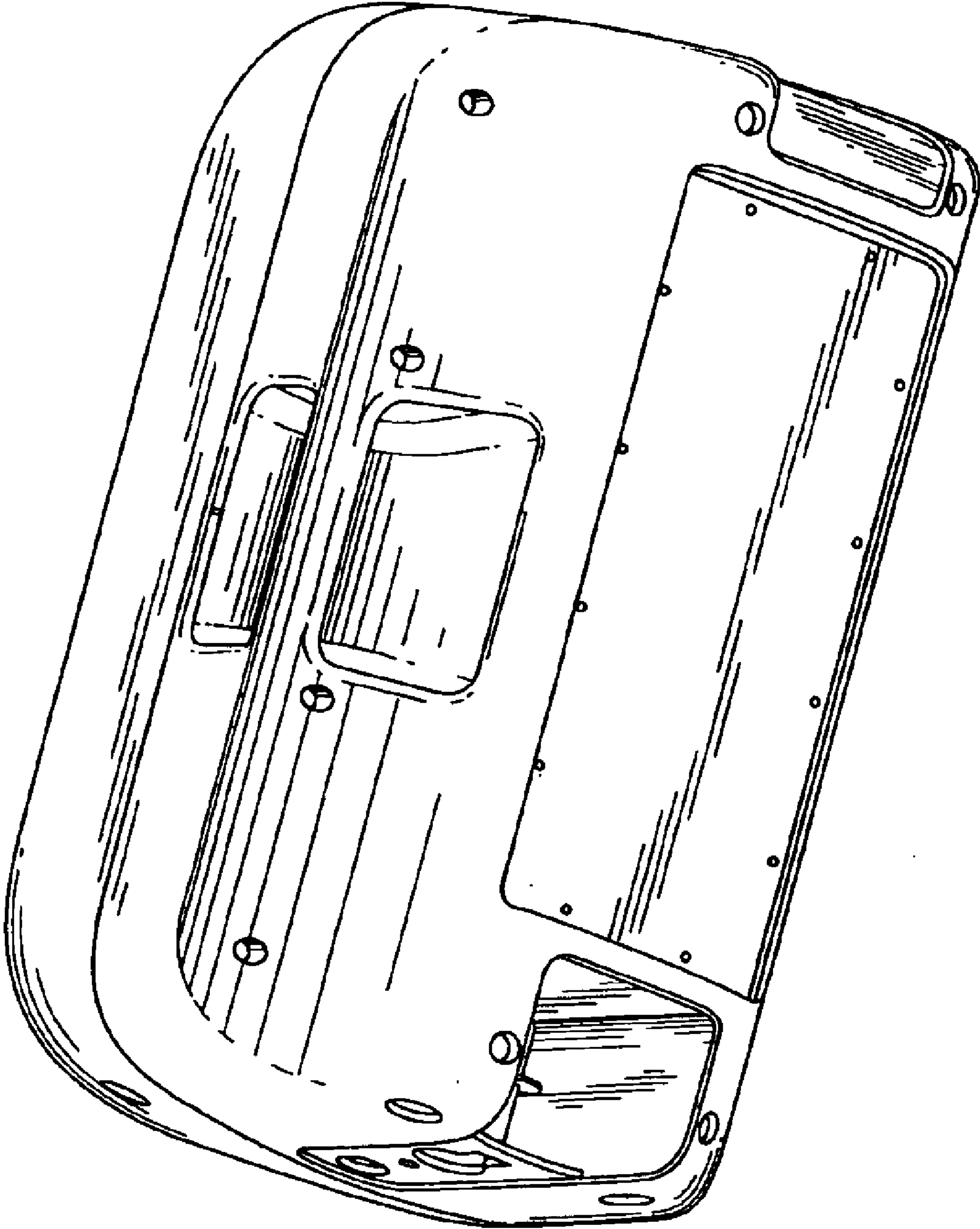


Fig. 2



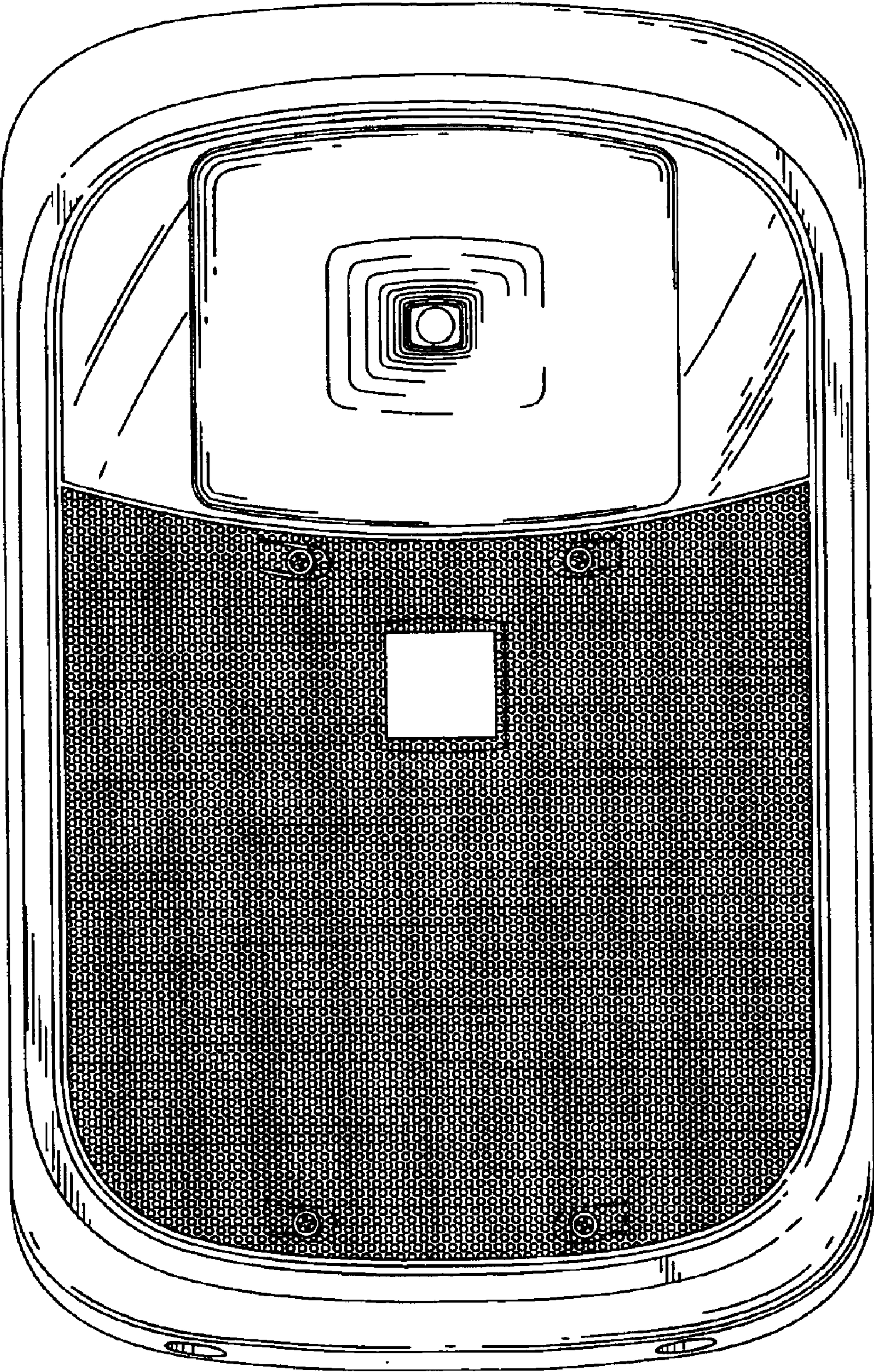


Fig. 3

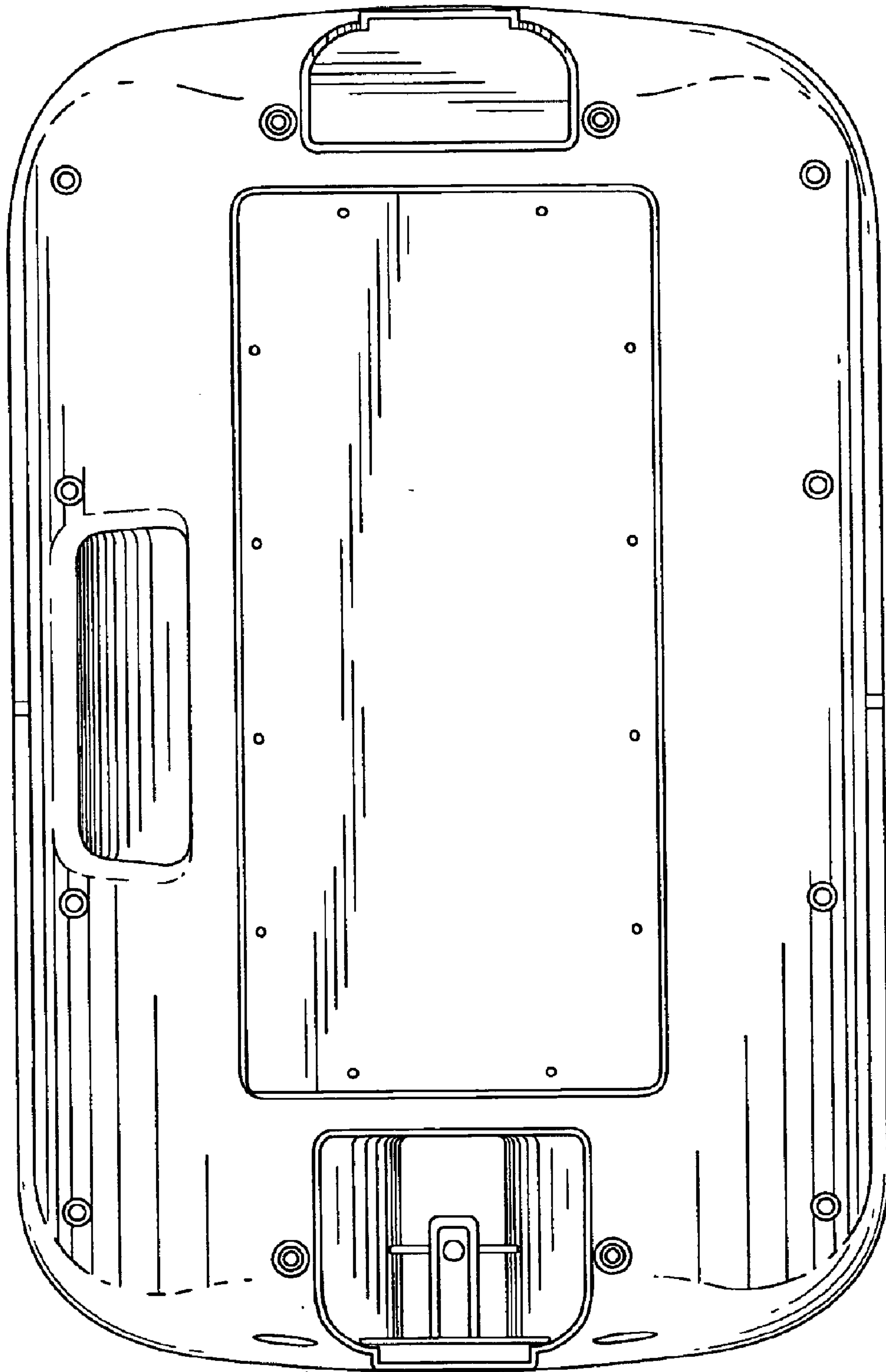


Fig. 4

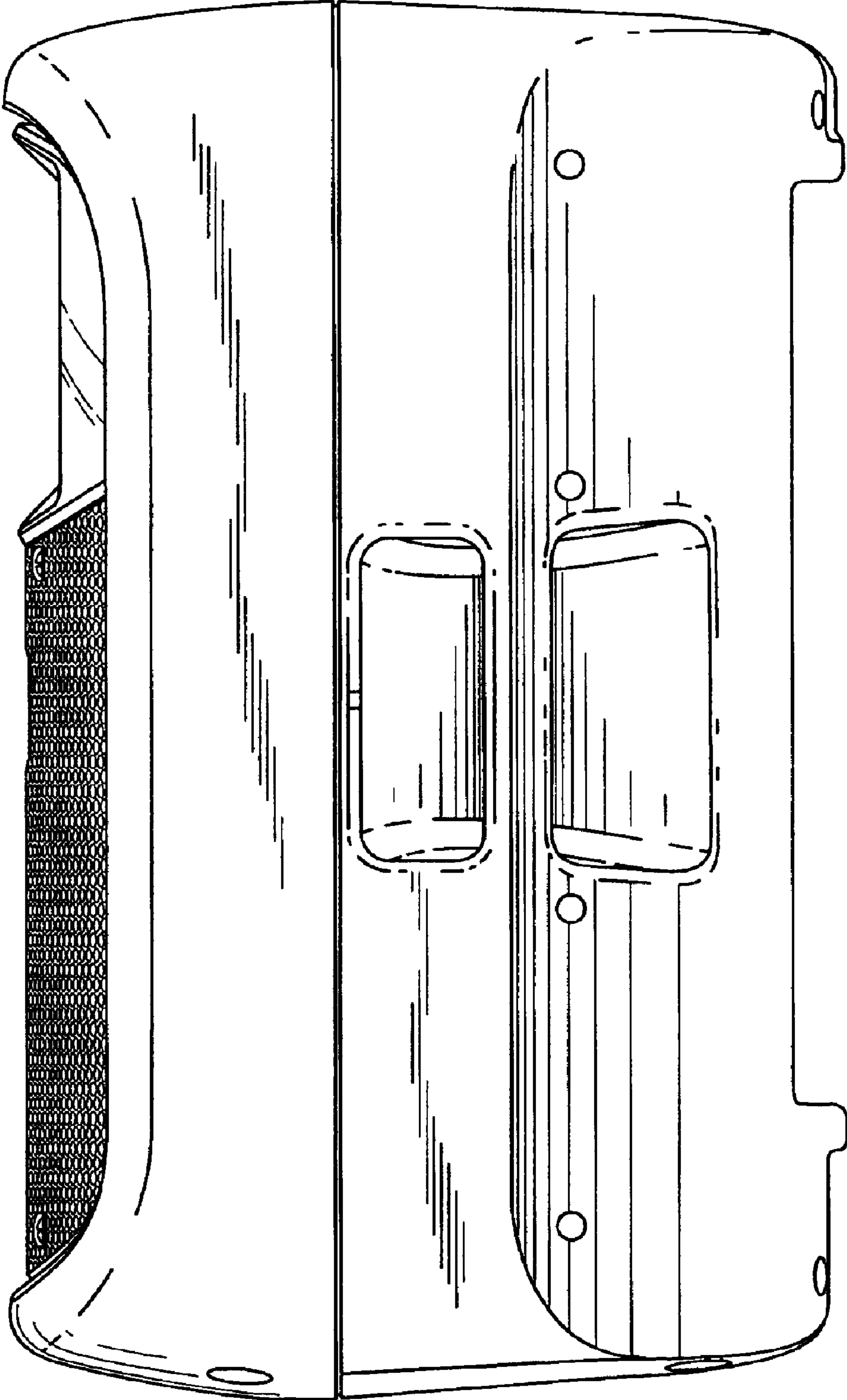


Fig. 5



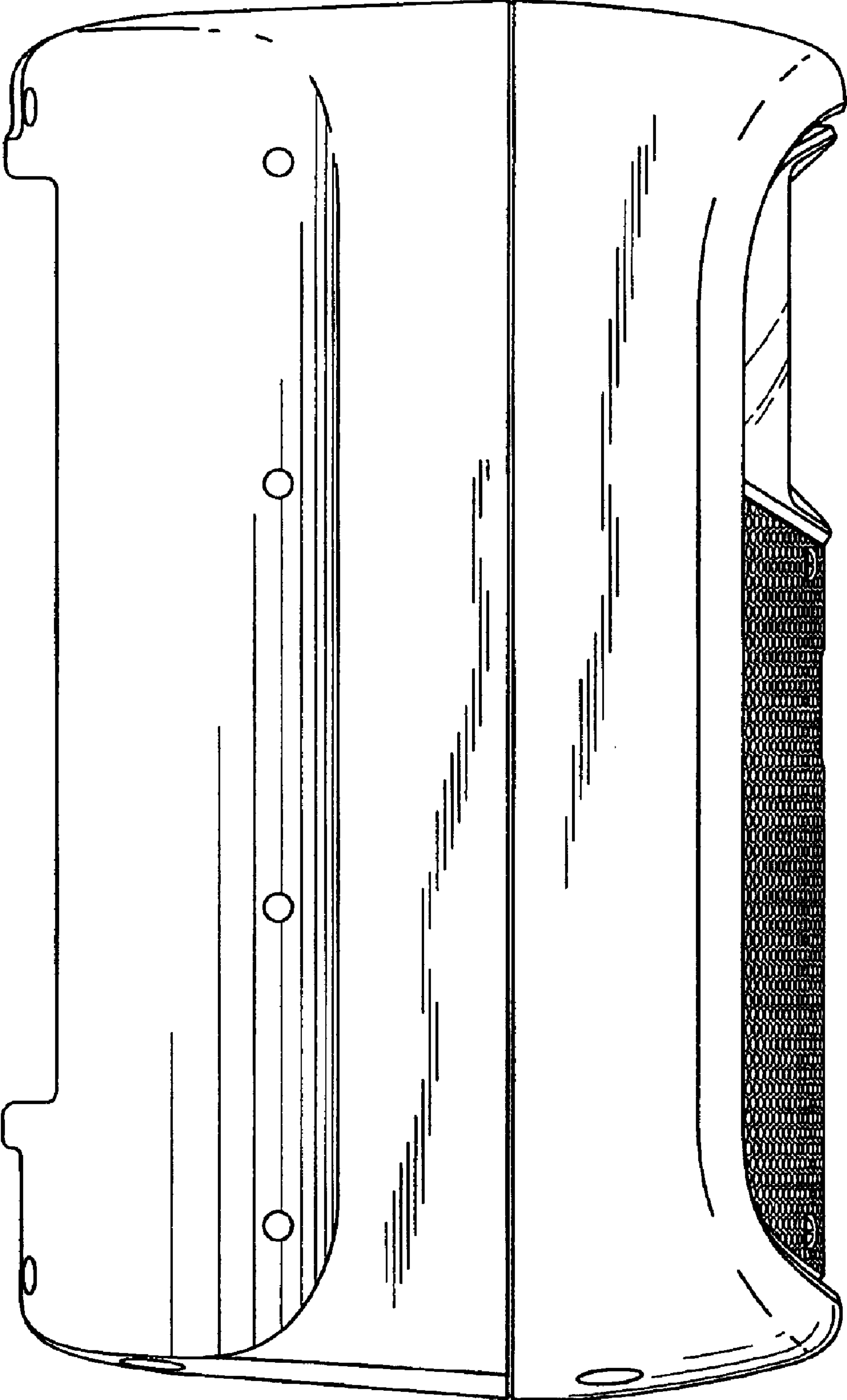


Fig. 6

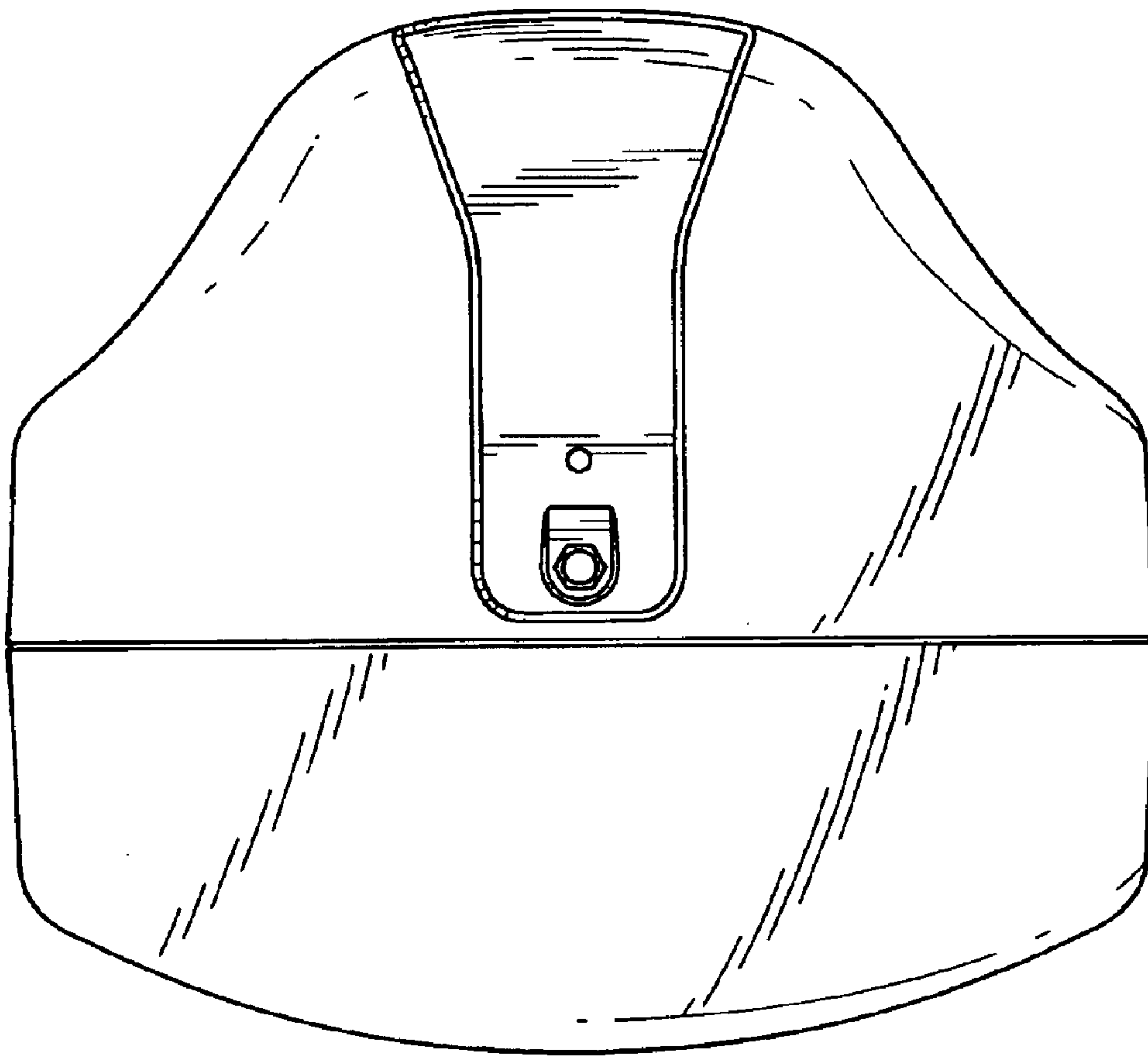


Fig. 7



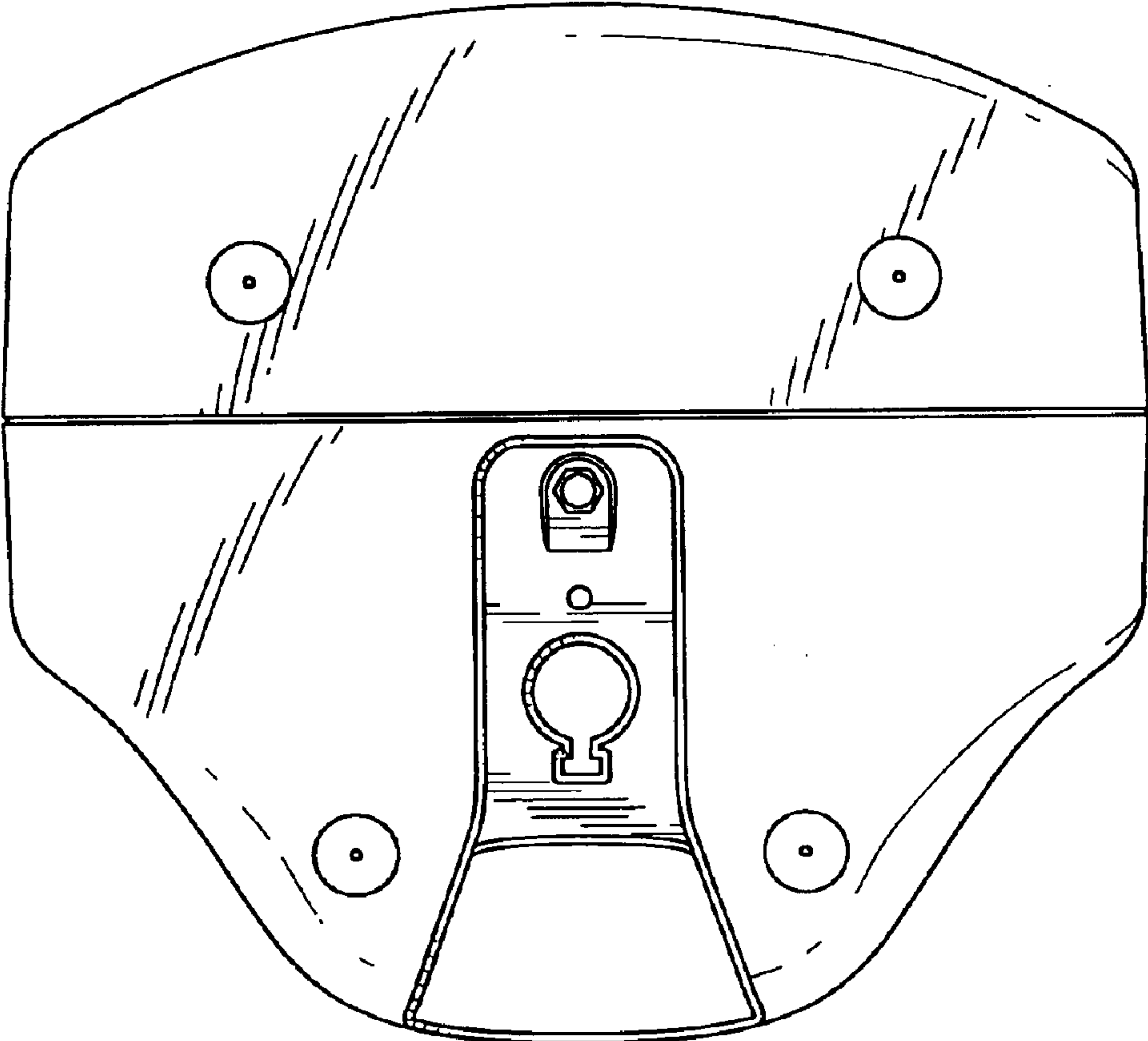


Fig. 8