

US00D501454S

(12) **United States Design Patent** (10) **Patent No.:** **US D501,454 S**
Nuovo et al. (45) **Date of Patent:** **** Feb. 1, 2005**

(54) **BODY SHAPE PORTION OF A HANDSET**

(75) Inventors: **Frank Nuovo**, Los Angeles, CA (US);
Justin Lyles, Sherman Oaks, CA (US)

(73) Assignee: **Vertu Ltd.**, London (GB)

(**) Term: **14 Years**

(21) Appl. No.: **29/178,732**

(22) Filed: **Apr. 1, 2003**

(51) **LOC (7) Cl.** **14-03**

(52) **U.S. Cl.** **D14/138; D14/248**

(58) **Field of Search** D14/137, 138,
D14/218, 147-148, 247-249, 429, 453,
455-456, 144, 399, 426, 387, 341-347,
244, 246, 338-340; 379/433.01-433.13,
419, 434, 428.01-428.04, 420.01-420.04,
440, 368-370; D10/65, 78, 37, 126; 455/550.1-90.3;
D21/517; D13/168; D18/2, 7; 345/168,
169

(56) **References Cited**

U.S. PATENT DOCUMENTS

D338,461 S	*	8/1993	Paton et al.	D14/138
D362,249 S	*	9/1995	Burstedt et al.	D14/138
D406,133 S	*	2/1999	Hackbarth	D14/138
D407,396 S	*	3/1999	Ogasawara	D14/138
D407,399 S	*	3/1999	Frye et al.	D14/138
D410,002 S	*	5/1999	Collins	D14/138
D410,459 S	*	6/1999	Nagele et al.	D14/138
D459,332 S	*	6/2002	Peiker	D14/147
D461,801 S	*	8/2002	Nuovo	D14/247
D462,344 S	*	9/2002	Nuovo	D14/247
D464,645 S	*	10/2002	O'Neil	D14/248
D465,482 S		11/2002	Nuovo		
D466,890 S		12/2002	Nuovo		
D469,748 S	*	2/2003	Ribeiro et al.	D14/138
D474,166 S	*	5/2003	Burns et al.	D14/138
D475,033 S	*	5/2003	Lehtonen	D14/138

D475,034 S	*	5/2003	Arbisi et al.	D14/138
D479,216 S	*	9/2003	Ho-Cheun et al.	D14/138
D479,514 S	*	9/2003	Chan	D14/138
D484,477 S	*	12/2003	Salmi	D14/138
D485,819 S	*	1/2004	Ahlgren	D14/138
D487,069 S	*	2/2004	Thaler et al.	D14/138
D487,438 S	*	3/2004	Sheu	D14/138
D488,789 S	*	4/2004	Lee	D14/138
D489,046 S	*	4/2004	Chan	D14/138
D491,929 S	*	6/2004	Nuovo et al.	D14/247
D492,274 S	*	6/2004	Widiaman	D14/138
D492,276 S	*	6/2004	Walliser et al.	D14/138
2004/0096054 A1	*	5/2004	Nuovo	379/433.01

FOREIGN PATENT DOCUMENTS

DK DR 2002 00376 6/2002

* cited by examiner

Primary Examiner—Jeffrey Asch
(74) *Attorney, Agent, or Firm*—Banner & Witcoff, Ltd.

(57) **CLAIM**

The ornamental design for a body shape portion of a handset, as shown and described.

DESCRIPTION

FIG. 1 is a bottom plan view of a body shape portion of a handset showing our new design;
FIG. 2 is a right side view thereof;
FIG. 3 is a front view thereof;
FIG. 4 is a left side view thereof;
FIG. 5 is a top plan view thereof;
FIG. 6 is a rear view thereof;
FIG. 7 is a perspective front view thereof; and,
FIG. 8 is a perspective rear view thereof.
The uneven broken line showing of the remainder of the handset in FIGS. 1-8 is for illustrative purposes only and forms no part of the claimed design.

1 Claim, 5 Drawing Sheets

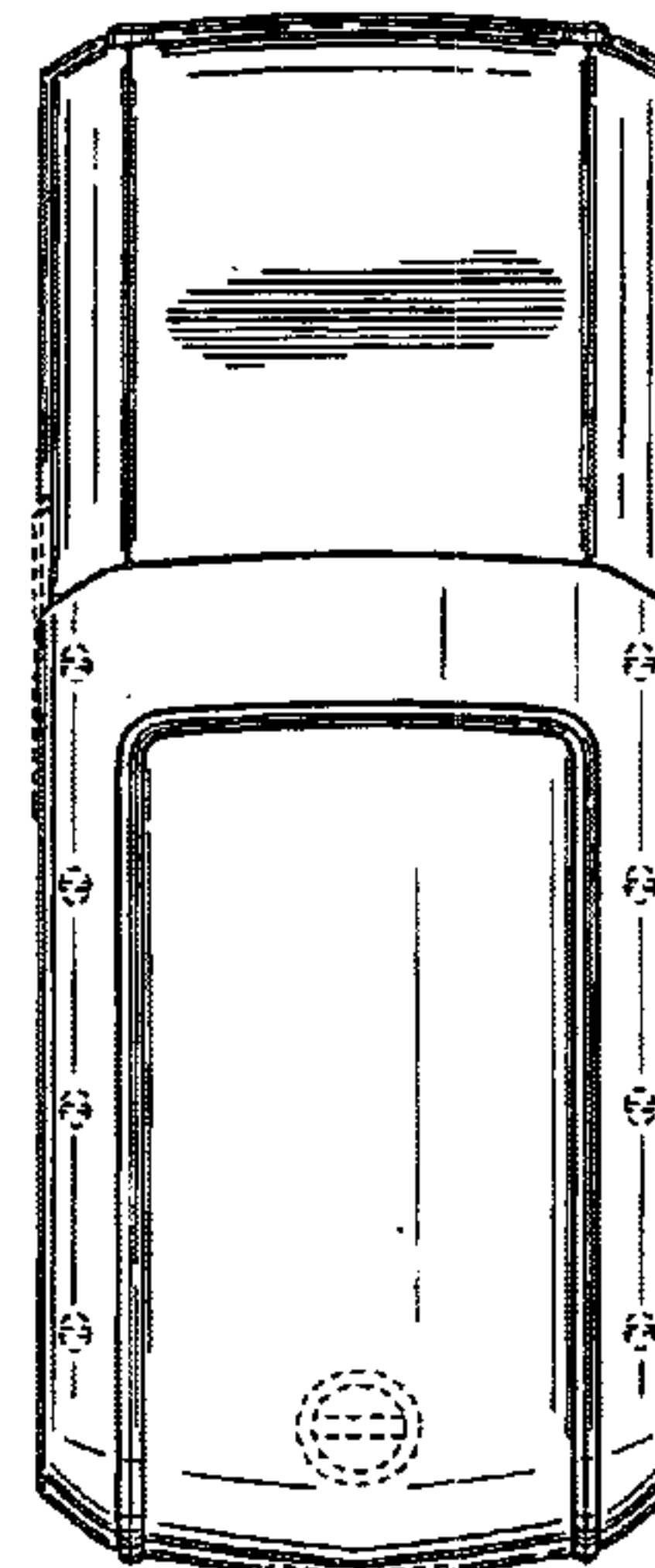
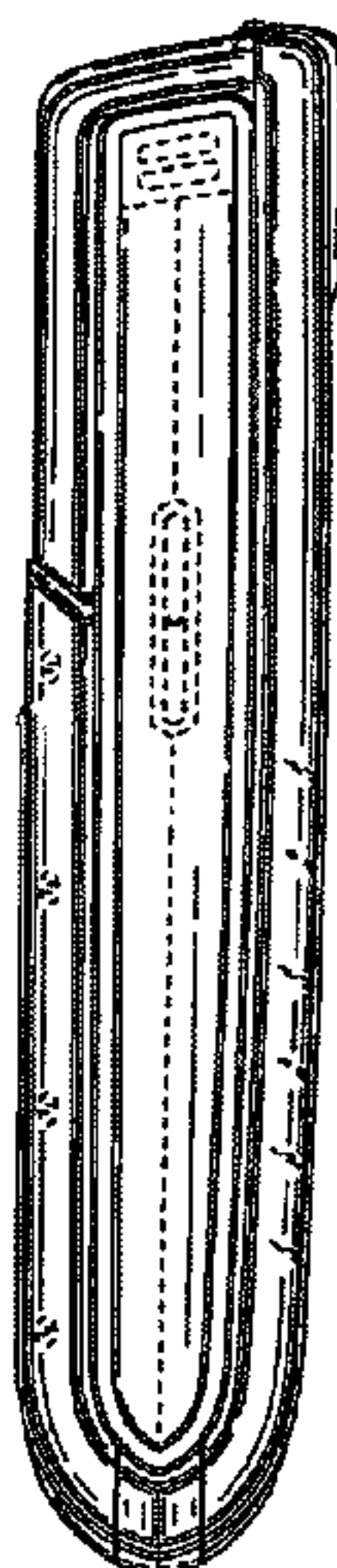
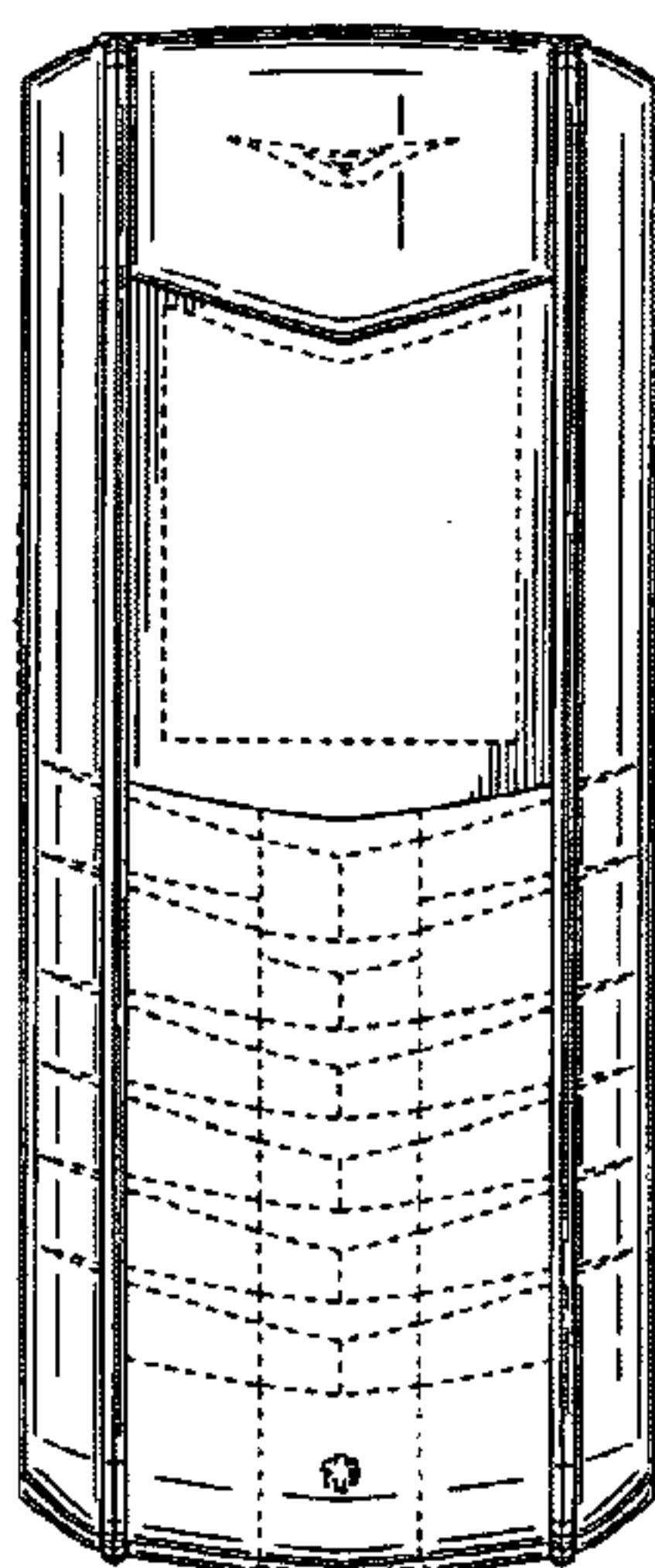


FIG. 1

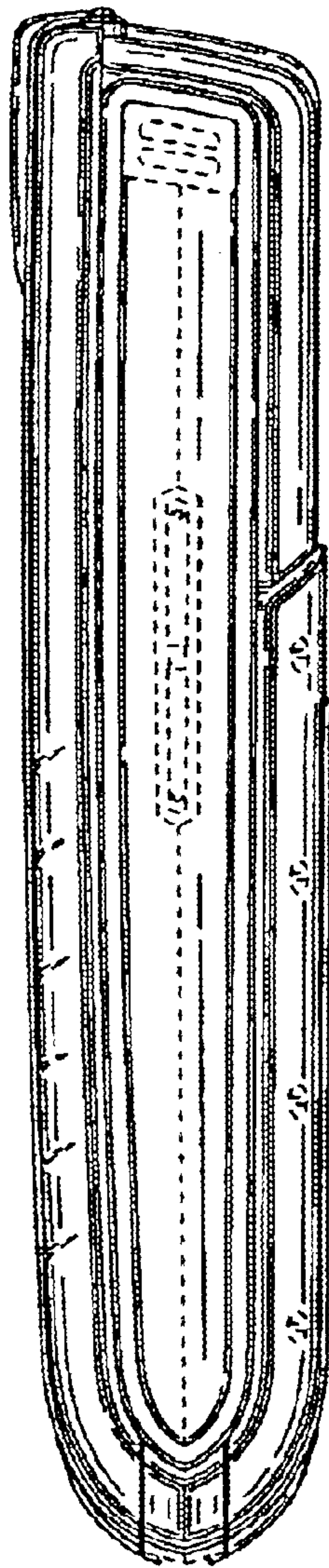
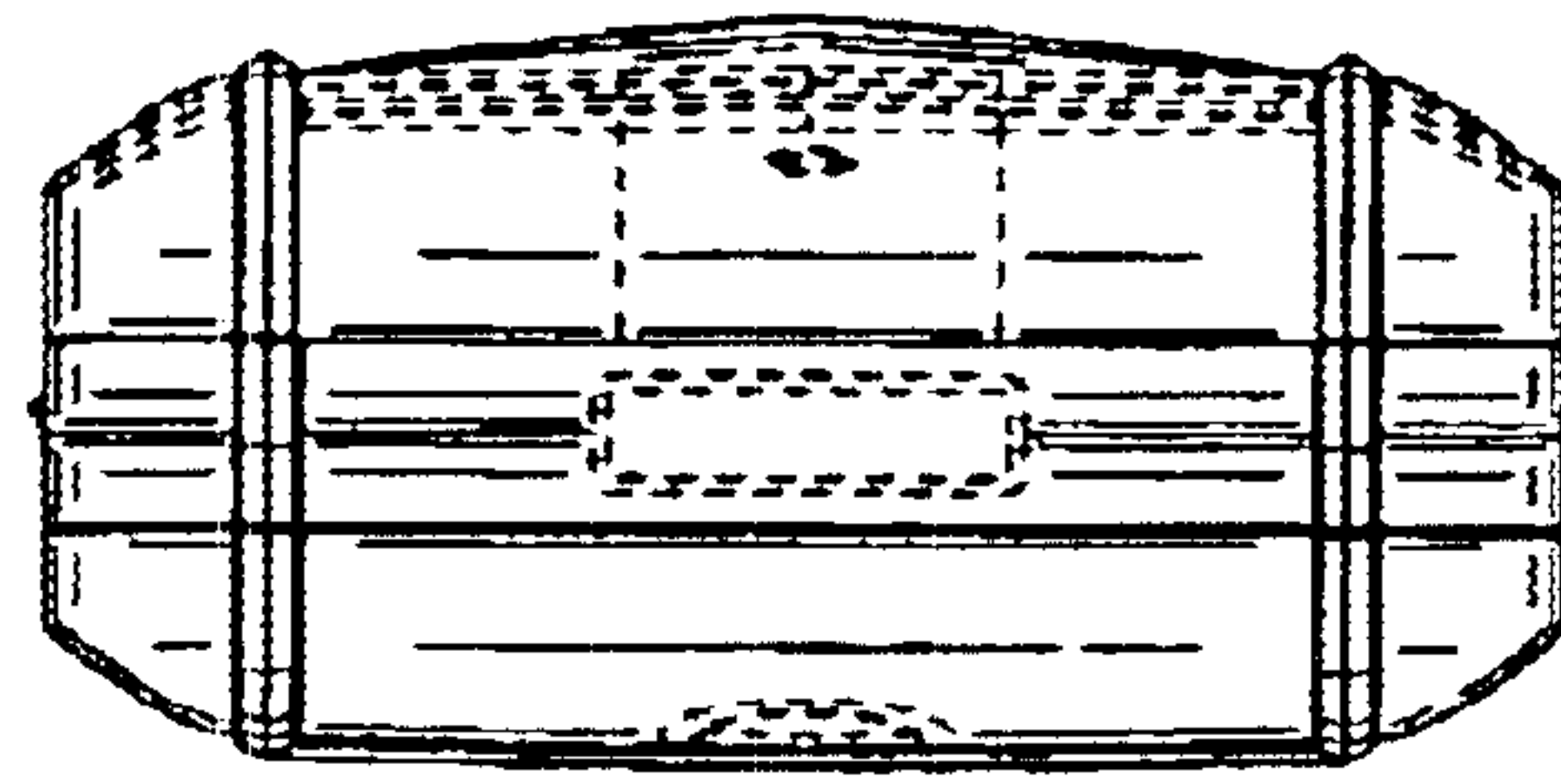


FIG. 2

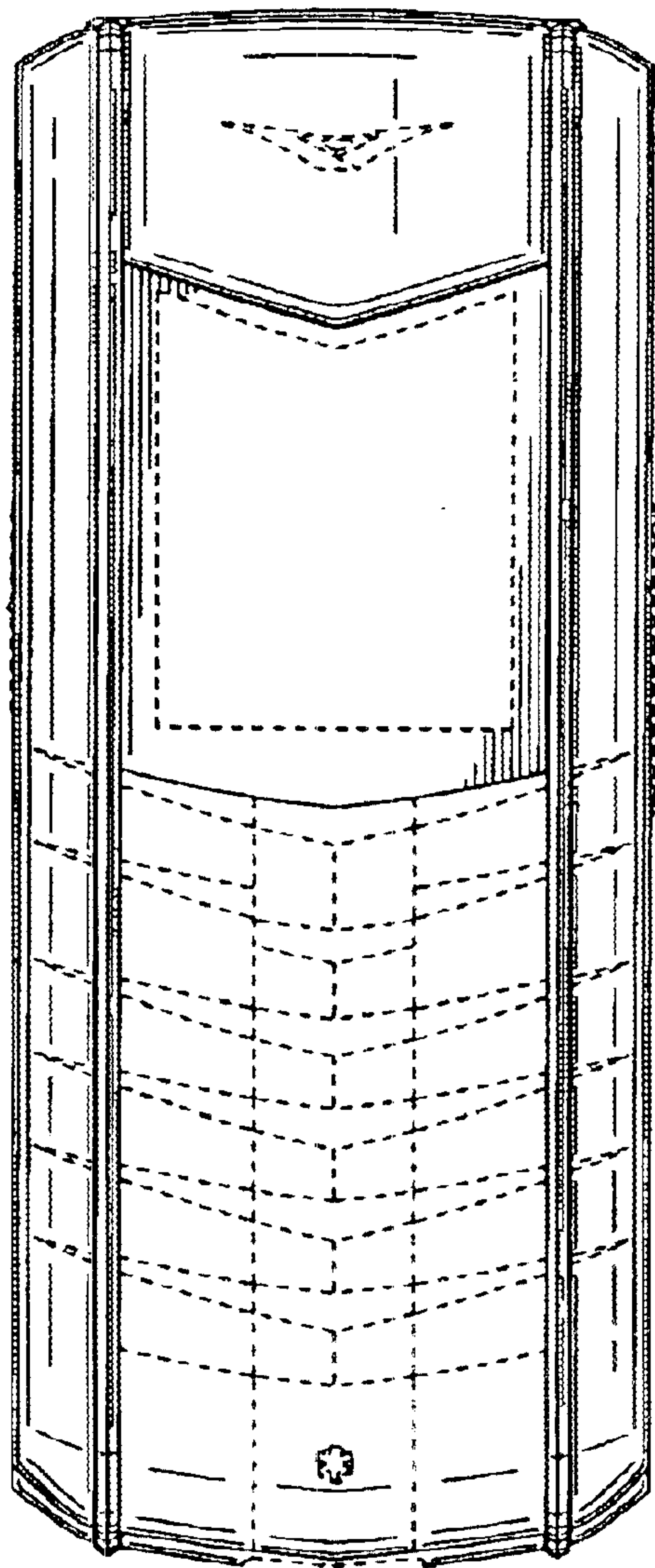


FIG. 3

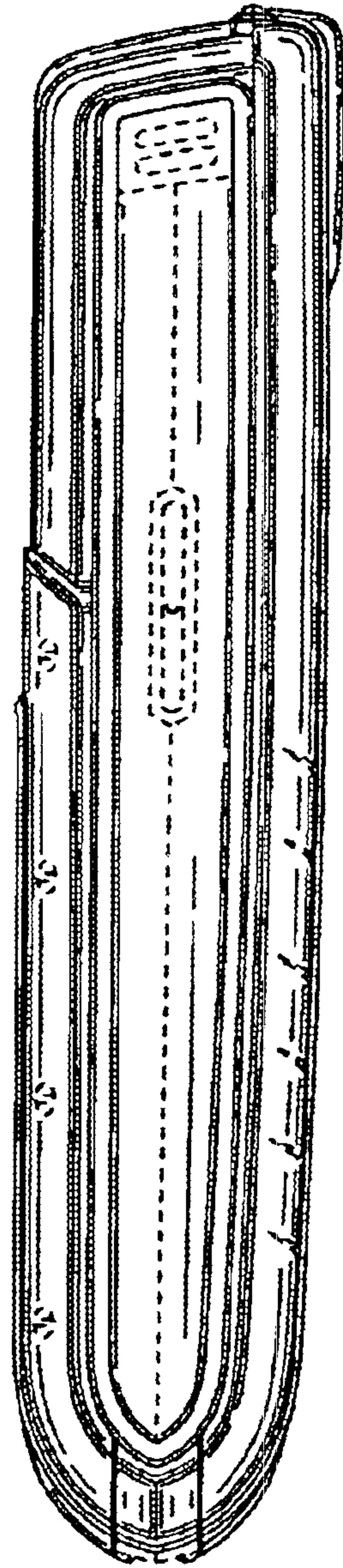


FIG. 4

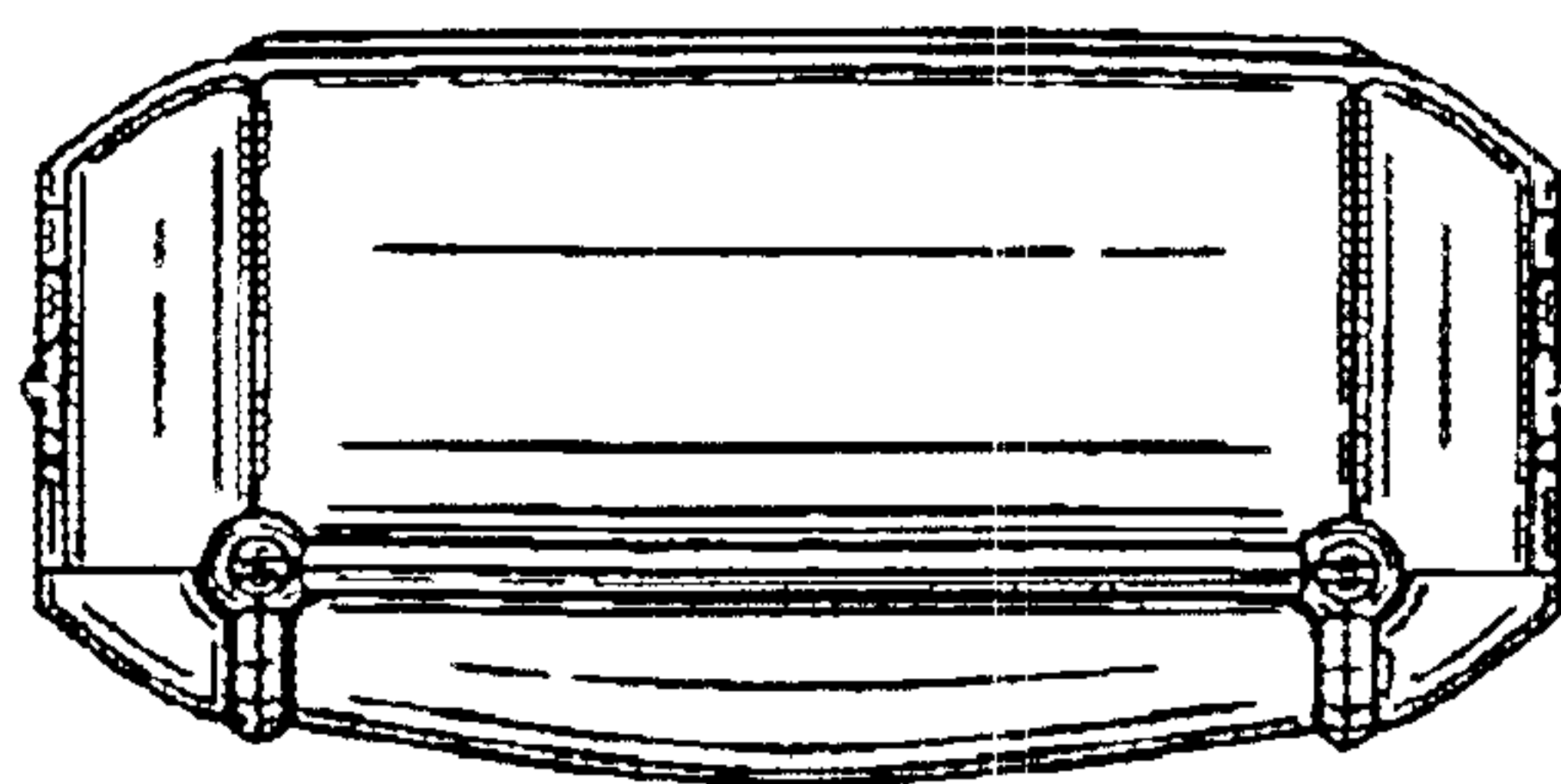


FIG. 5

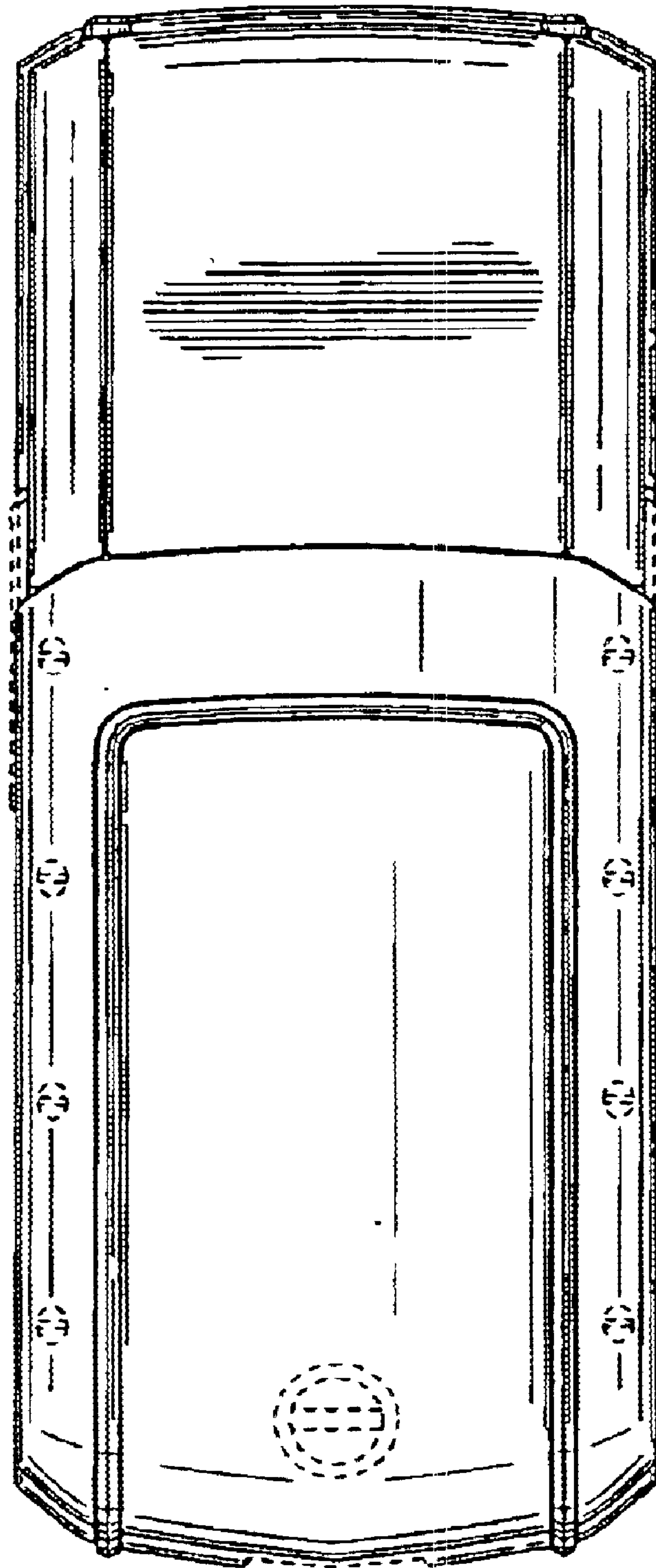


FIG. 6

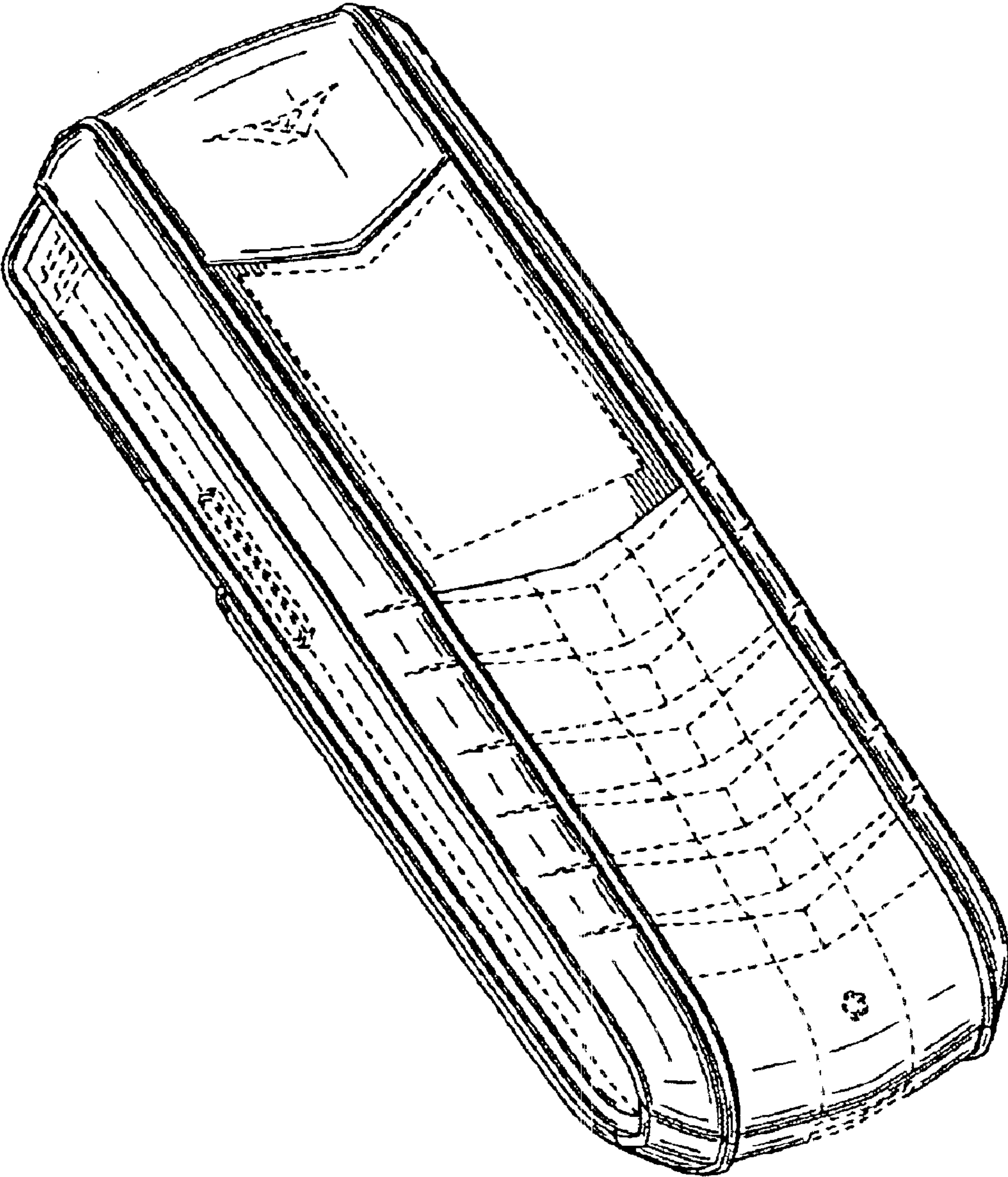


FIG. 7

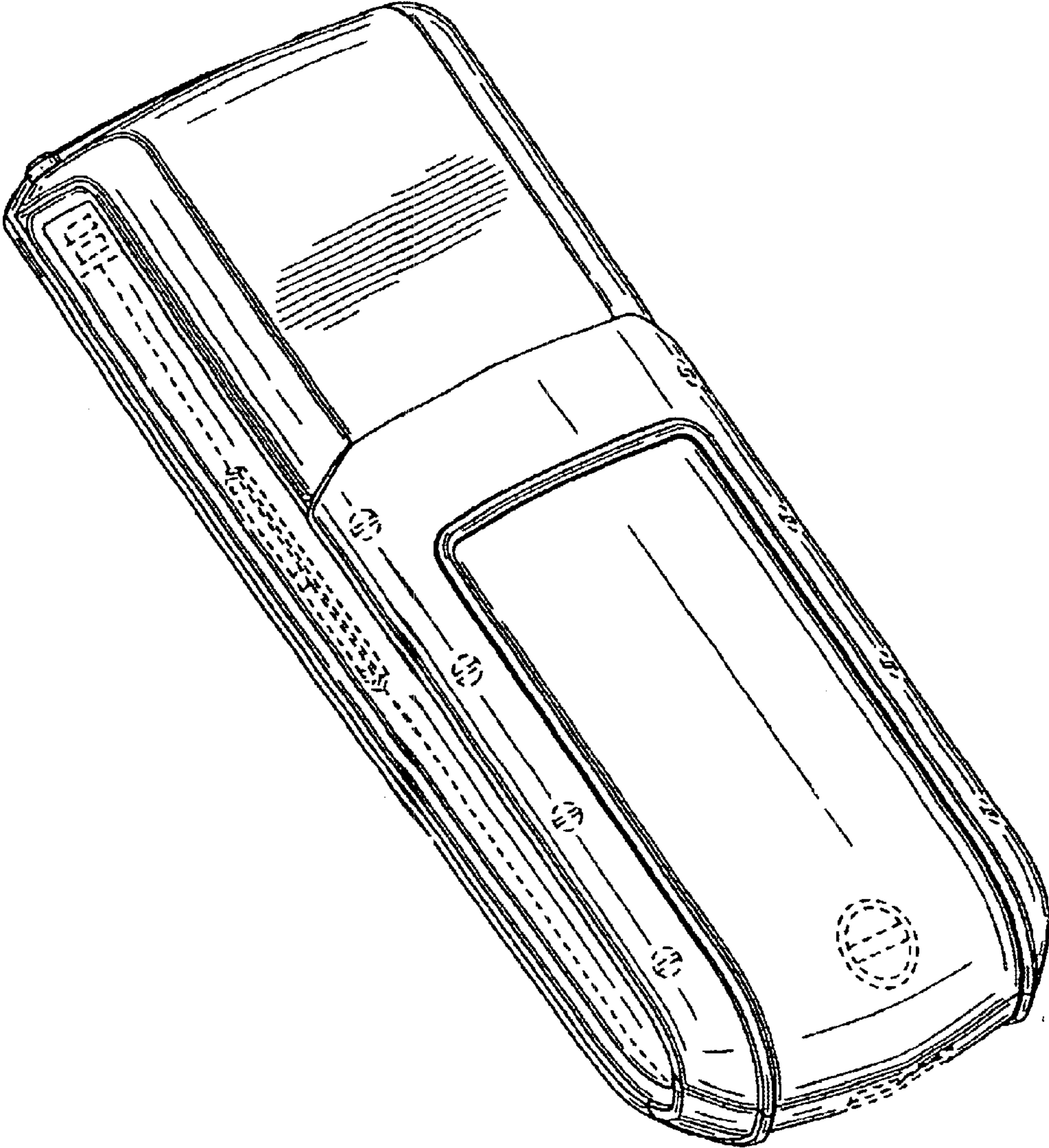


FIG. 8