

US00D501447S

(12) **United States Design Patent**  
**Greenwood et al.**

(10) **Patent No.: US D501,447 S**  
(45) **Date of Patent: \*\* Feb. 1, 2005**

(54) **PLUG ASSEMBLY**

(75) Inventors: **Mark Greenwood**, Antwerp, OH (US);  
**Allan Heisler**, Huntertown, IN (US)  
(73) Assignee: **Pyromation, Inc.**, Fort Wayne, IN (US)  
(\*\*) Term: **14 Years**

(21) Appl. No.: **29/174,751**

(22) Filed: **Jan. 23, 2003**

(51) **LOC (7) Cl. .... 13-03**

(52) **U.S. Cl. .... D13/133**

(58) **Field of Search** ..... D13/133, 137.1,  
D13/138.1, 139.1; 439/169, 219, 482, 502,  
597, 600, 620, 692, 912

(56) **References Cited**

**U.S. PATENT DOCUMENTS**

4,834,677	A	*	5/1989	Archang	.....	439/660
4,878,852	A	*	11/1989	Bertsch et al.	.....	439/103
D331,907	S	*	12/1992	Hollander et al.	.....	D13/133
D331,908	S	*	12/1992	Hollander et al.	.....	D13/133
D332,083	S	*	12/1992	Hollander et al.	.....	D13/133
D332,084	S	*	12/1992	Hollander et al.	.....	D13/133
5,183,420	A	*	2/1993	Hollander et al.	.....	439/457
D340,910	S	*	11/1993	Hollander et al.	.....	D13/133
D347,208	S	*	5/1994	Martin et al.	.....	D13/133
D349,275	S	*	8/1994	Hollander	.....	D13/133
6,183,304	B1	*	2/2001	Hollander et al.	.....	439/620

**OTHER PUBLICATIONS**

Description of Hollingsworth Enterprises' connectors and accessories; Aug., 1993; pp. 2 and 6.  
Description of Marlin Manufacturing Corporation's plugs; pp. C-33, F-10 and F-11.  
Description of Omega plugs; pp. A-27 to A-29.  
Description of Watlow Gordon plugs; pp. 52 to 55.

\* cited by examiner

*Primary Examiner*—Stella Reid

*Assistant Examiner*—Daniel Bui

(74) *Attorney, Agent, or Firm*—Barnes & Thornburg LLP

(57) **CLAIM**

The ornamental design for a plug assembly, as shown and described.

**DESCRIPTION**

FIG. 1 is a top plan view of a plug assembly, showing my new design;

FIG. 2 is a bottom plan view thereof;

FIG. 3 is a left side elevation view thereof;

FIG. 4 is a right side elevation view thereof;

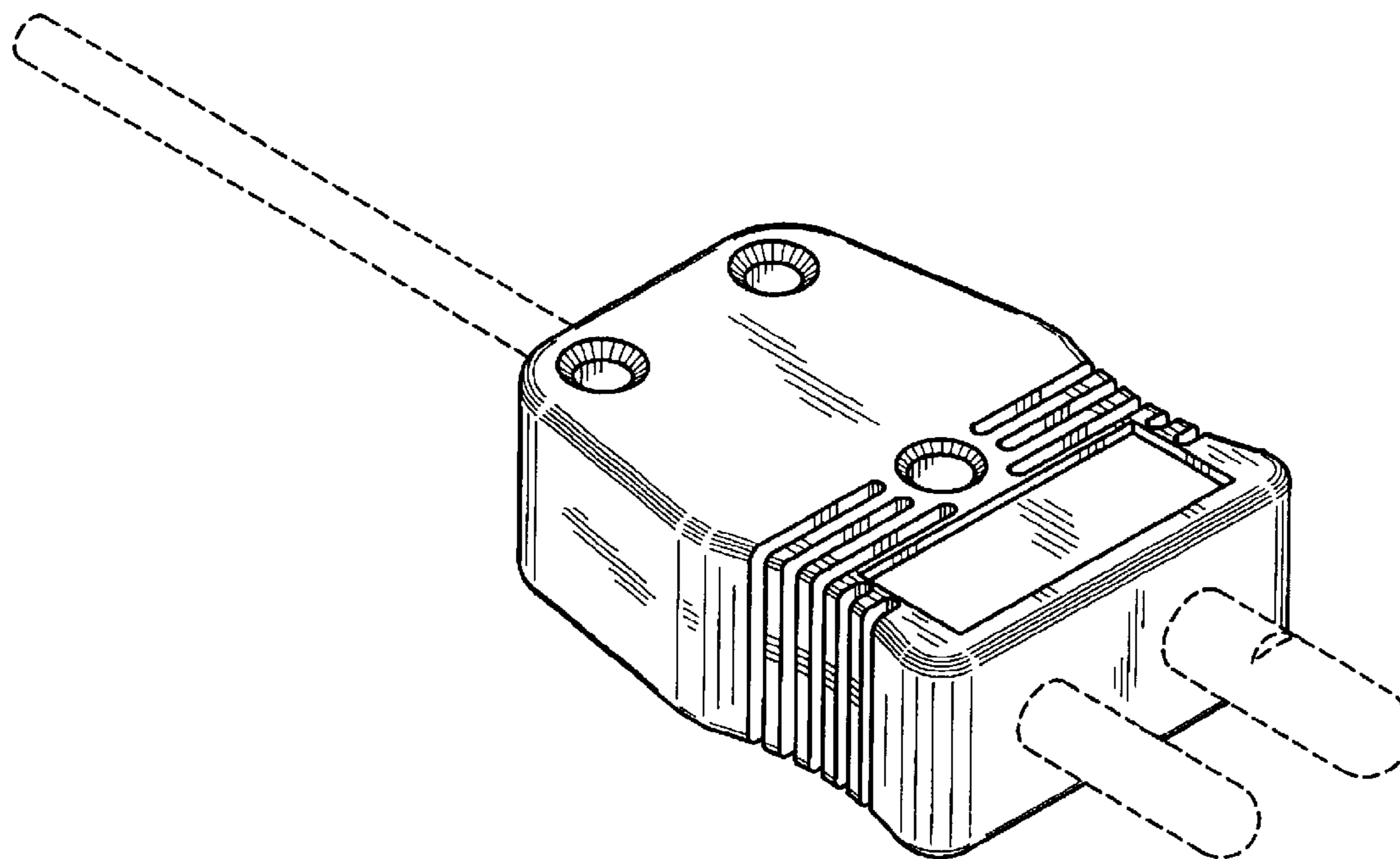
FIG. 5 is a rear elevation view thereof;

FIG. 6 is a front elevation view thereof; and,

FIG. 7 is a perspective view thereof.

The broken line showing of the environment is for illustrative purposes only and forms no part of the claimed design.

**1 Claim, 5 Drawing Sheets**



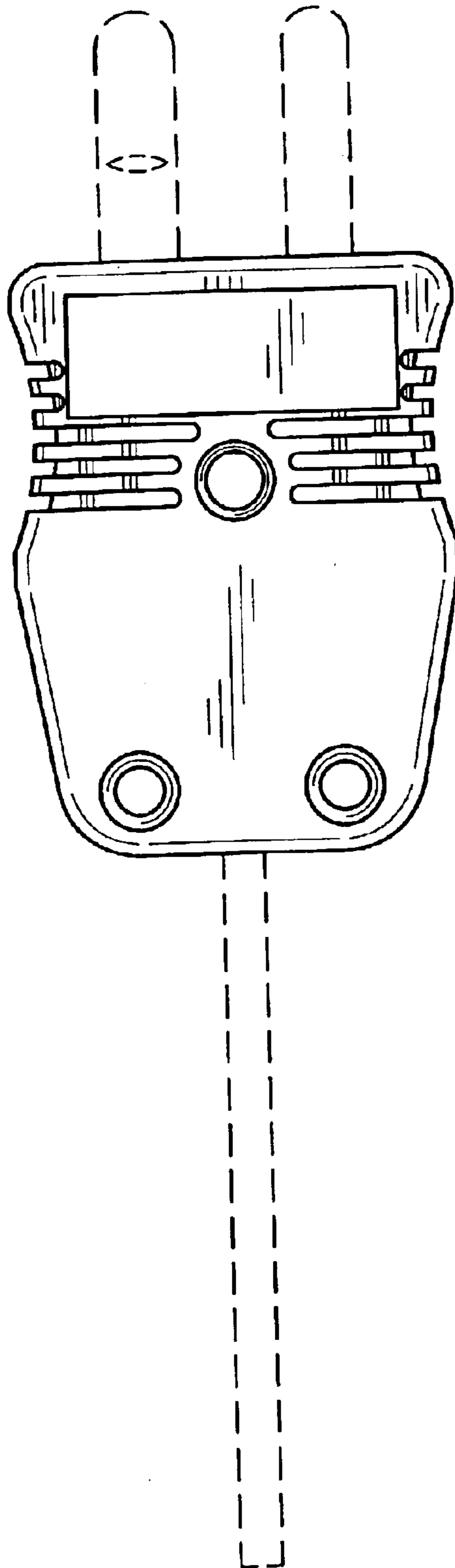


FIG. 1

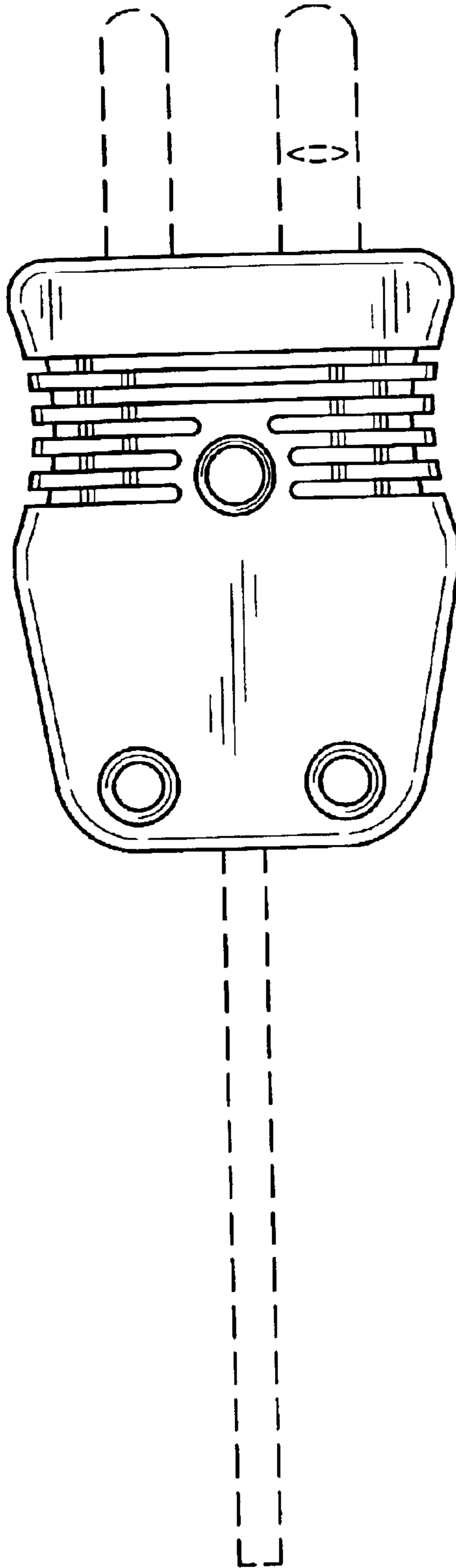


FIG. 2

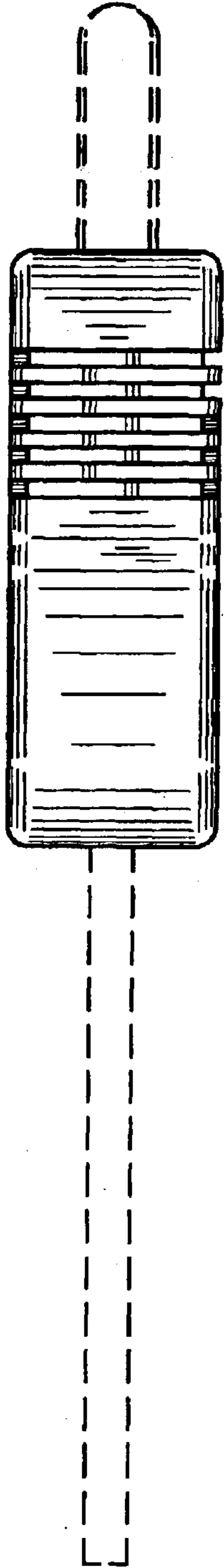


FIG. 3

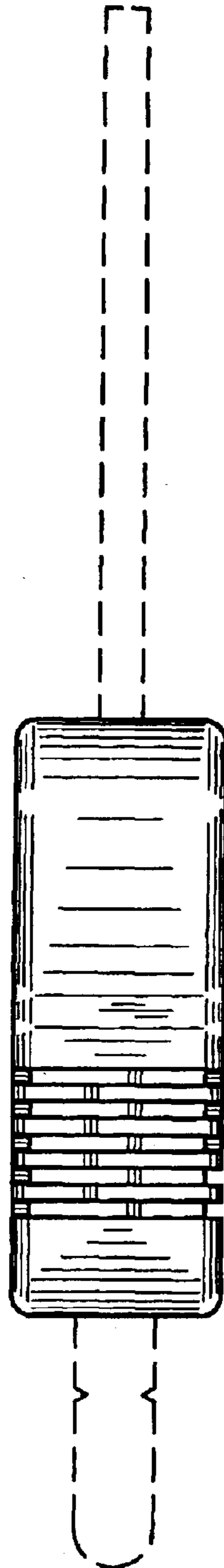


FIG. 4

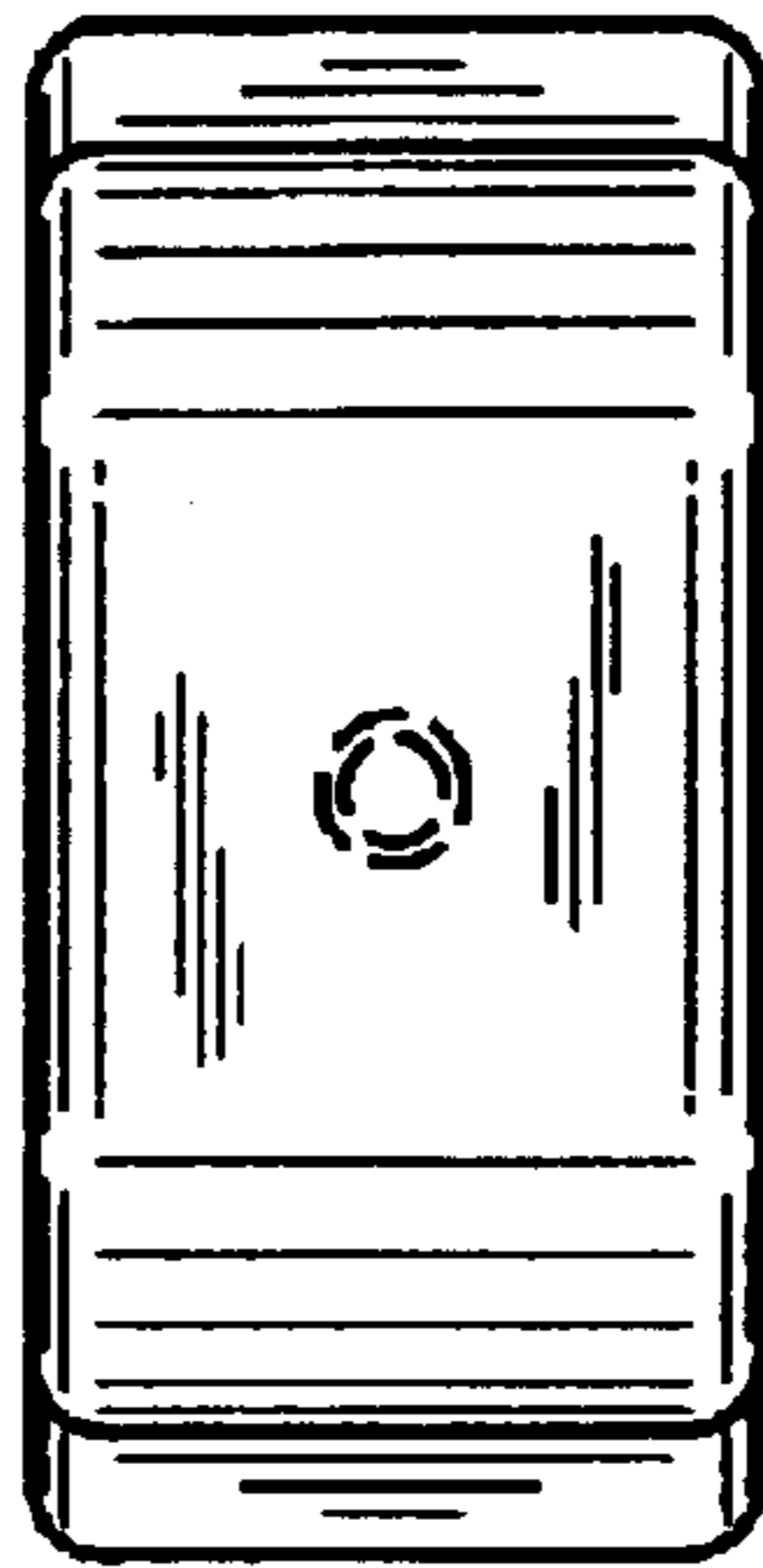


FIG. 5

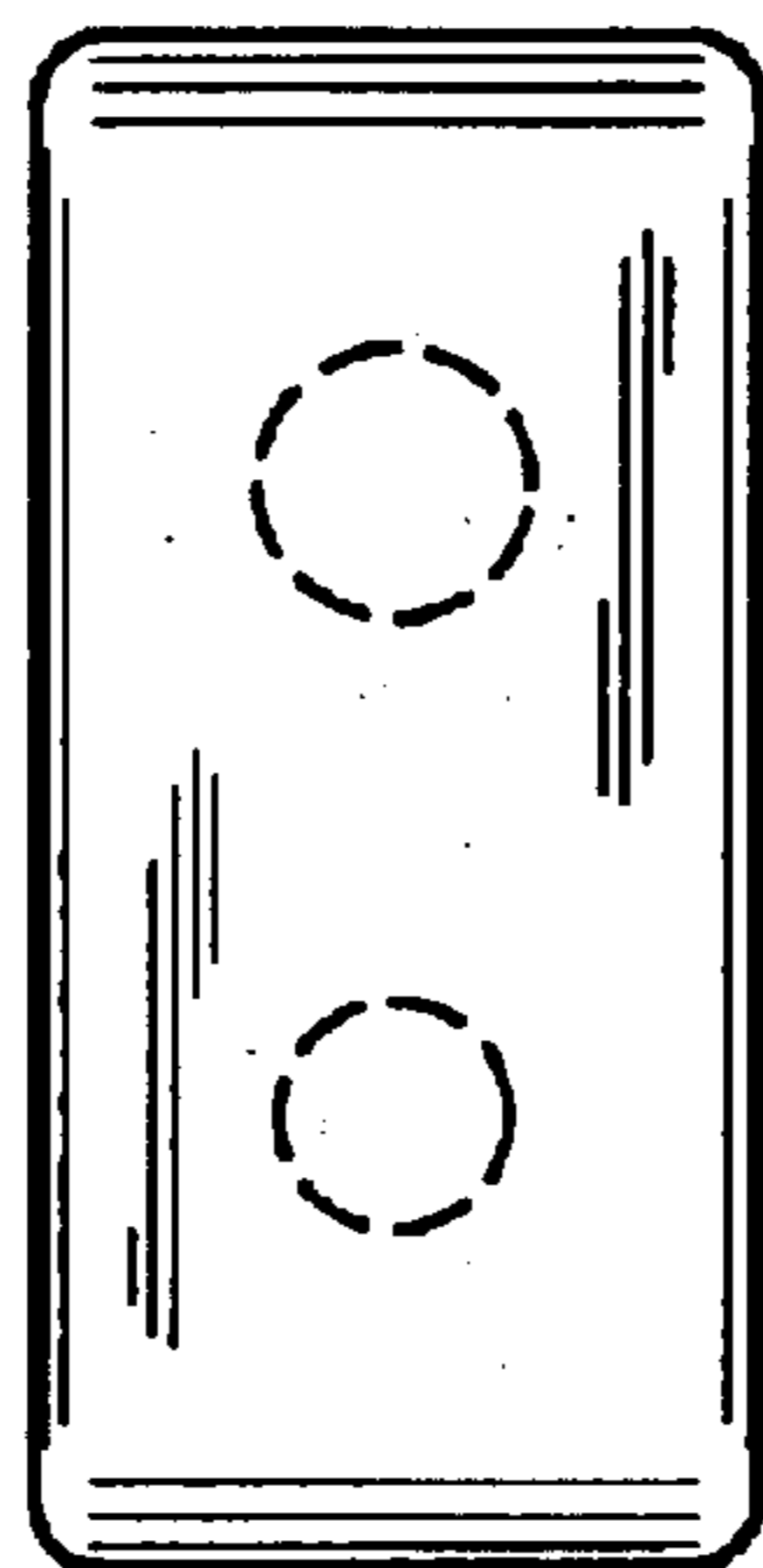


FIG. 6

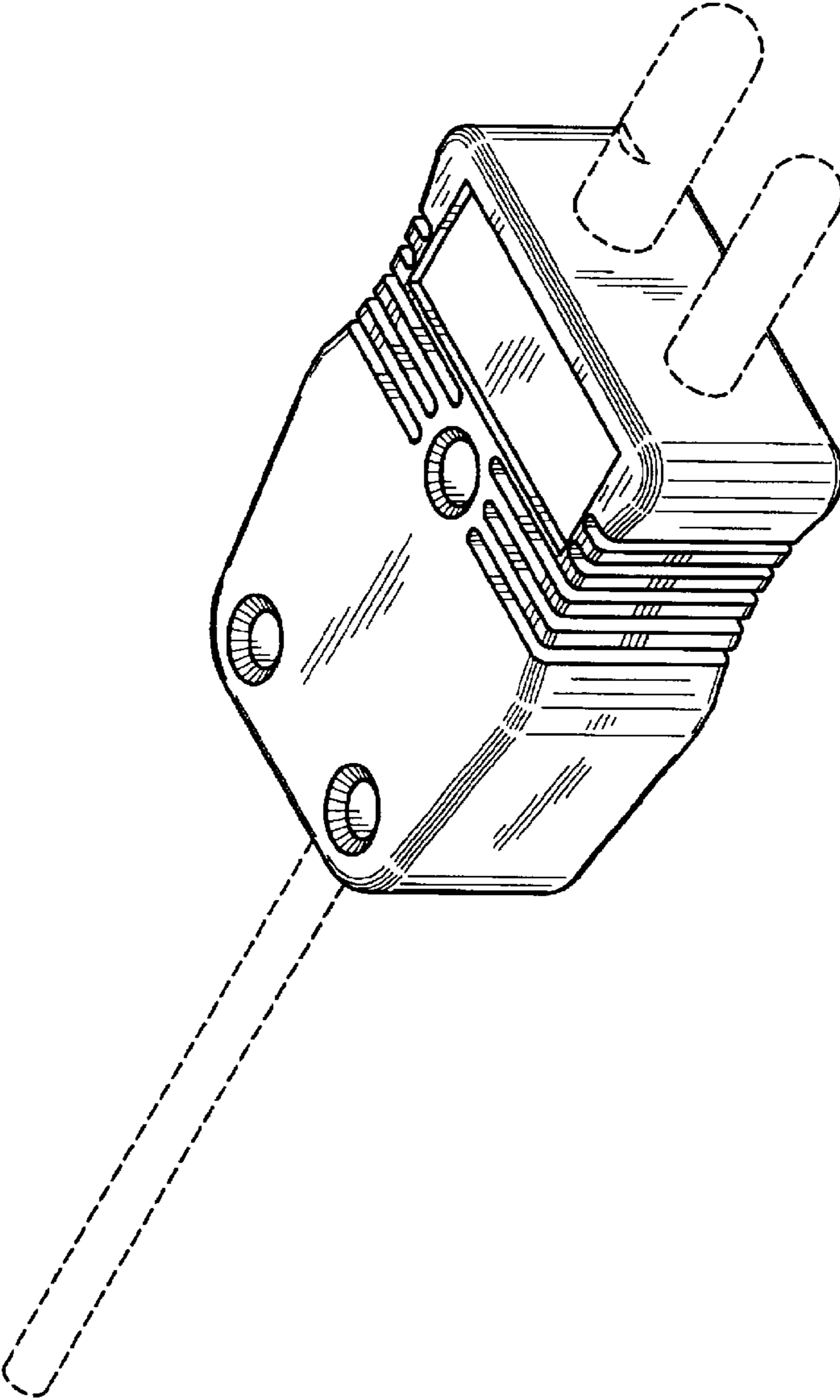


FIG. 7