

US00D501443S

(12) **United States Design Patent**
Jones, Sr. et al.

(10) **Patent No.:** **US D501,443 S**

(45) **Date of Patent:** **** Feb. 1, 2005**

(54) **BED EXTENDER FOR PICKUP TRUCK**

(76) Inventors: **William Jones, Sr.**, 9500 Oak Leaf Pl., Clinton, MD (US) 20735; **Jeretta Jones**, 9500 Oak Leaf Pl., Clinton, MD (US) 20735

(**) Term: **14 Years**

(21) Appl. No.: **29/192,820**

(22) Filed: **Oct. 31, 2003**

(51) **LOC (7) Cl.** **12-16**

(52) **U.S. Cl.** **D12/414**

(58) **Field of Search** D12/400, 414, D12/414.1, 196, 221; 224/402-405, 521, 526, 495-498, 502; 296/26.08-26.11, 37.1, 37.6, 26, 180.1, 50-51, 57.1

(56) **References Cited**

U.S. PATENT DOCUMENTS

2,872,239 A	2/1959	Bowness et al.	296/26.11
D291,789 S	* 9/1987	Noga	D12/414
4,909,558 A	3/1990	Roshinsky	296/37.6
4,951,991 A	8/1990	Haigler	296/26.09
5,154,470 A	10/1992	Bringman, Jr.	296/26.11
5,456,511 A	10/1995	Webber	296/26.09
5,468,038 A	11/1995	Sauri	296/57.1
5,658,033 A	8/1997	Delaune	296/26.08

5,752,636 A	5/1998	Manley	224/405
5,820,190 A	10/1998	Benner	296/26.09
D413,297 S	* 8/1999	Quinn	D12/196
D417,859 S	* 12/1999	Leitner et al.	D12/414
D418,106 S	* 12/1999	Leitner et al.	D12/414
D485,800 S	* 1/2004	Smith	D12/414

* cited by examiner

Primary Examiner—Stacia Cadmus

(74) *Attorney, Agent, or Firm*—Donald R. Schoonover

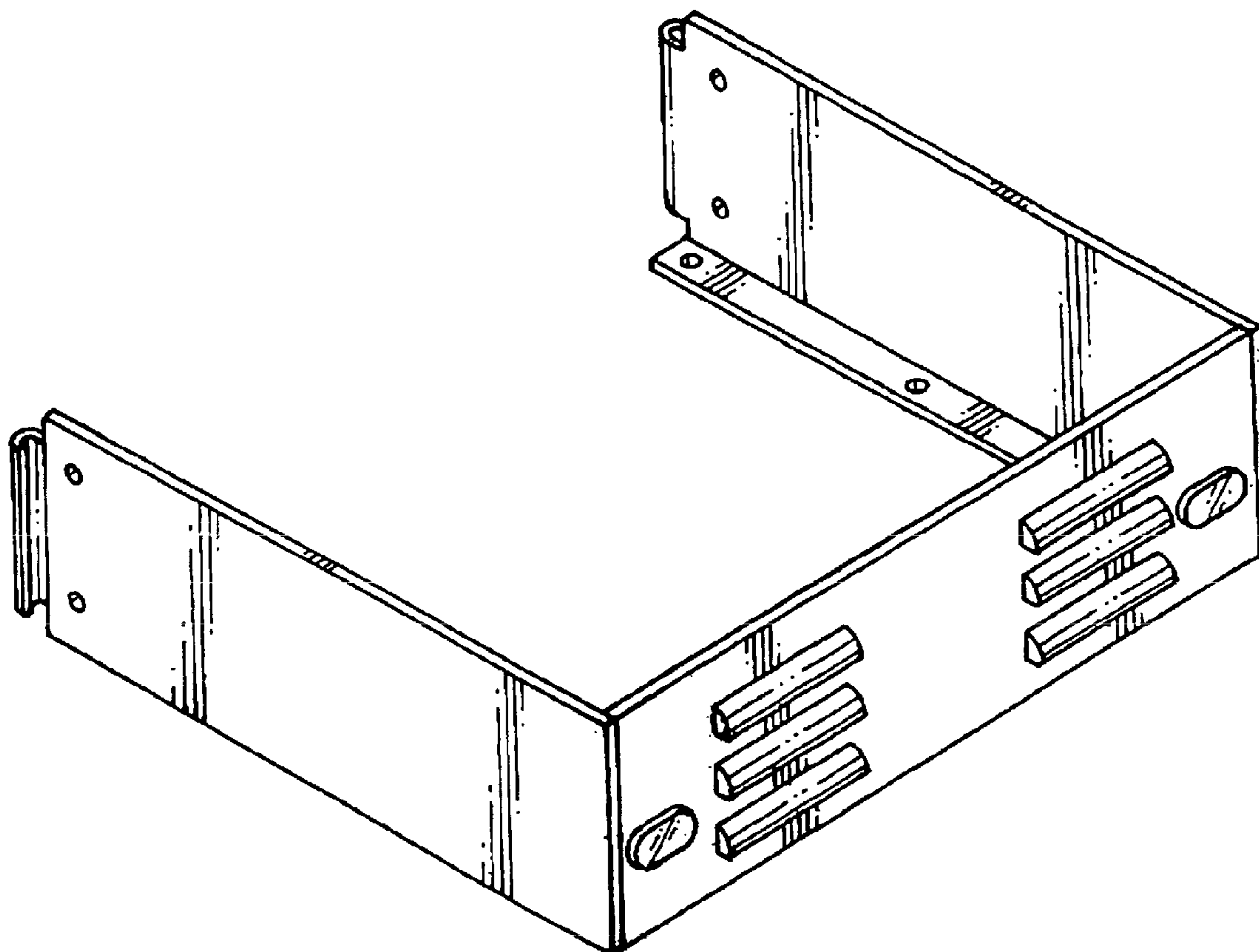
(57) **CLAIM**

We claim the ornamental design for a bed extender for a pickup truck, as shown and described.

DESCRIPTION

FIG. 1 is a perspective view of a bed extender for pickup truck showing our new design;
FIG. 2 is a rear elevational view thereof;
FIG. 3 is a front elevational view thereof;
FIG. 4 is a left side elevational view thereof, the right side elevational view being a mirror image thereof;
FIG. 5 is a top plan view thereof;
FIG. 6 is a bottom plan view thereof; and,
FIG. 7 is a reduced perspective view showing the bed extender for pickup truck in use; the broken lines depict environmental structure for illustrative purposes only and form no part of the claimed design.

1 Claim, 5 Drawing Sheets



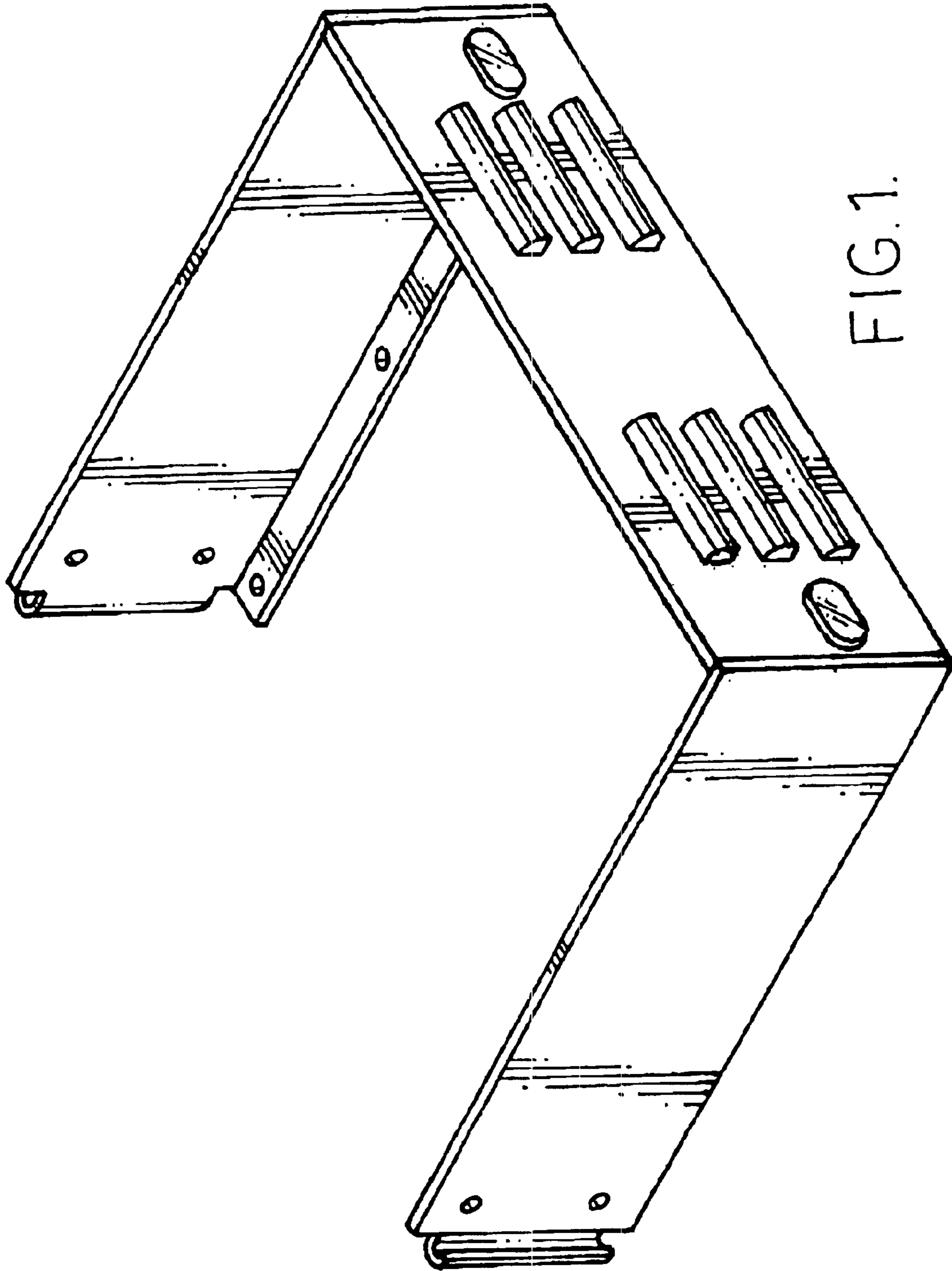


FIG. 1.

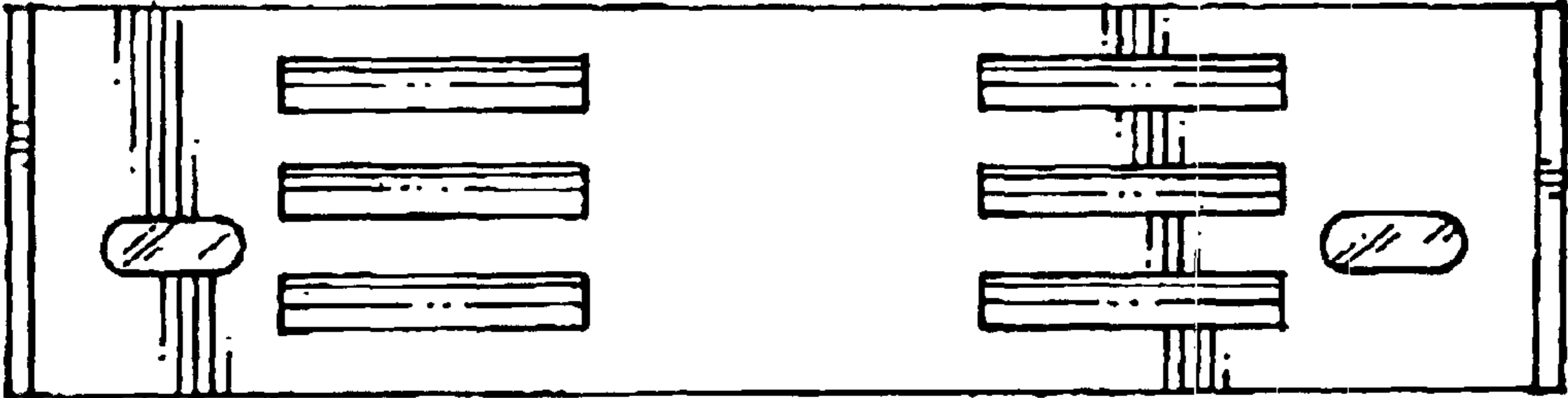


FIG. 2 .

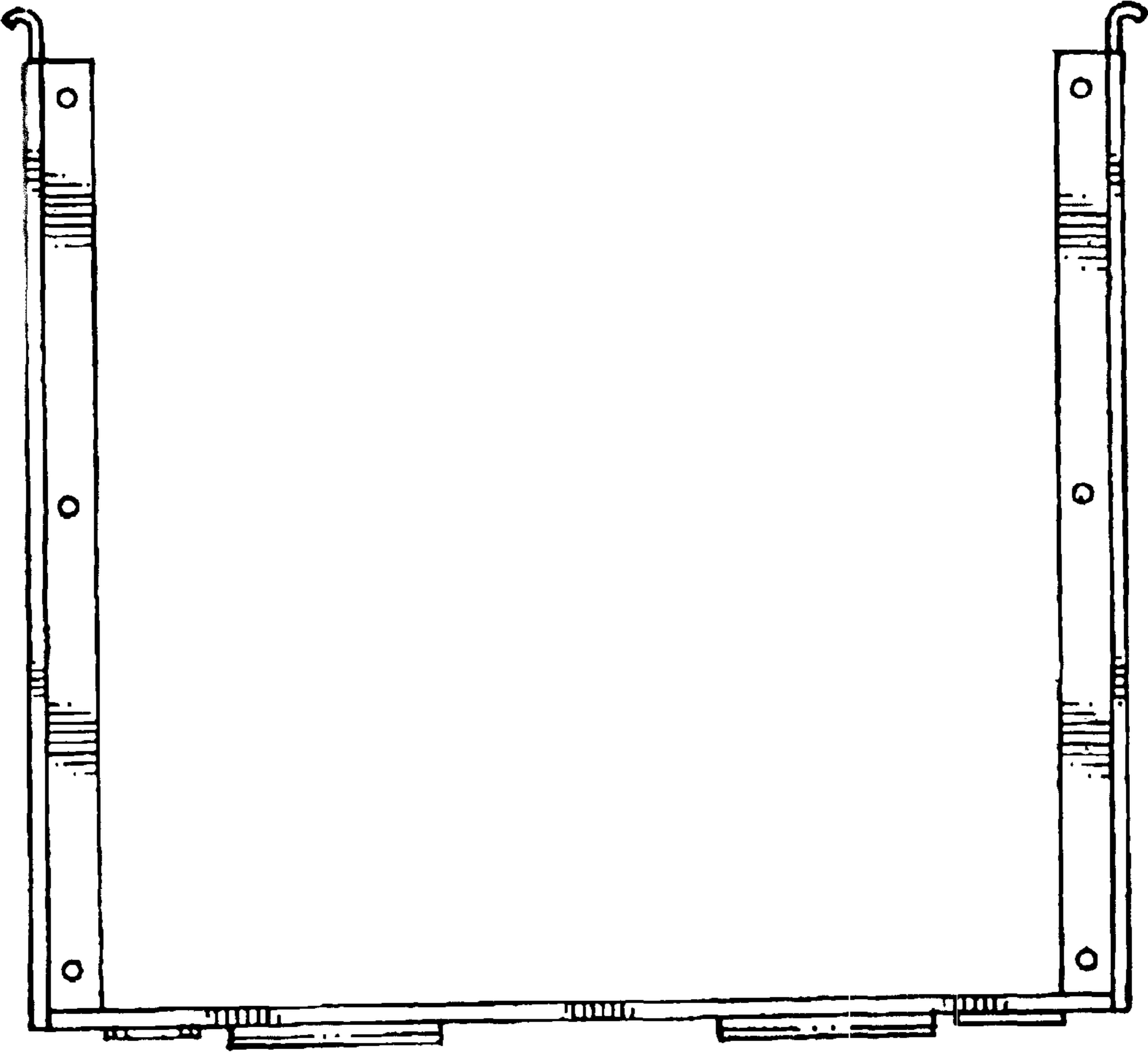


FIG. 5.

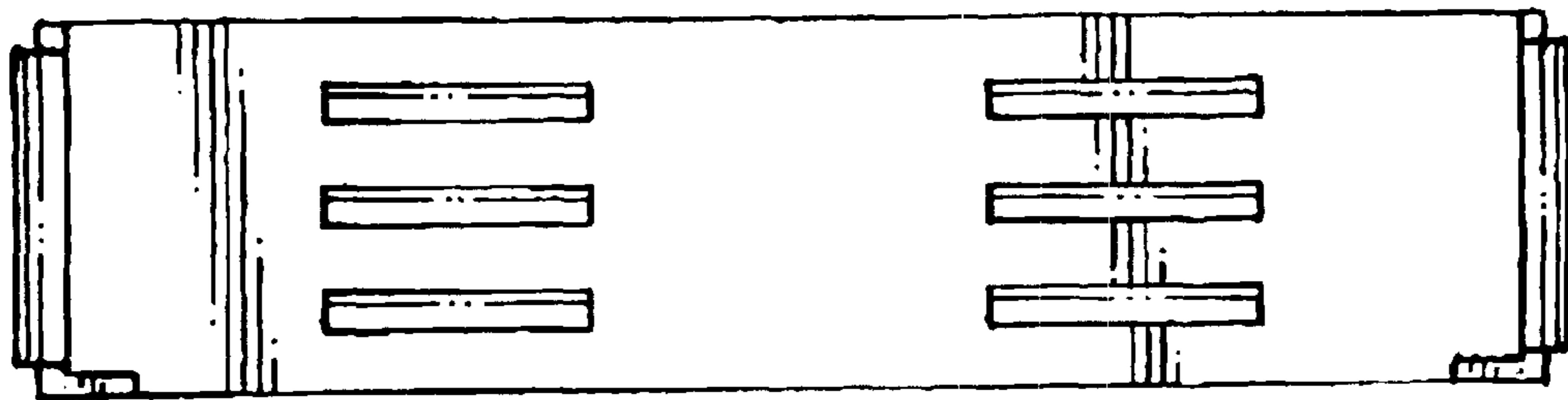


FIG.3.

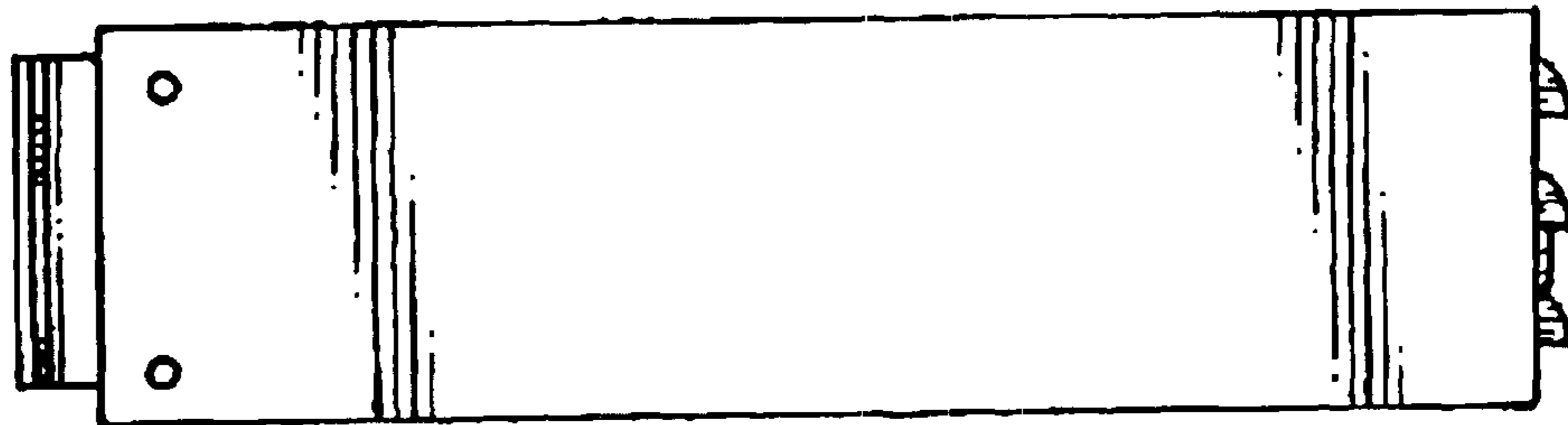


FIG.4.

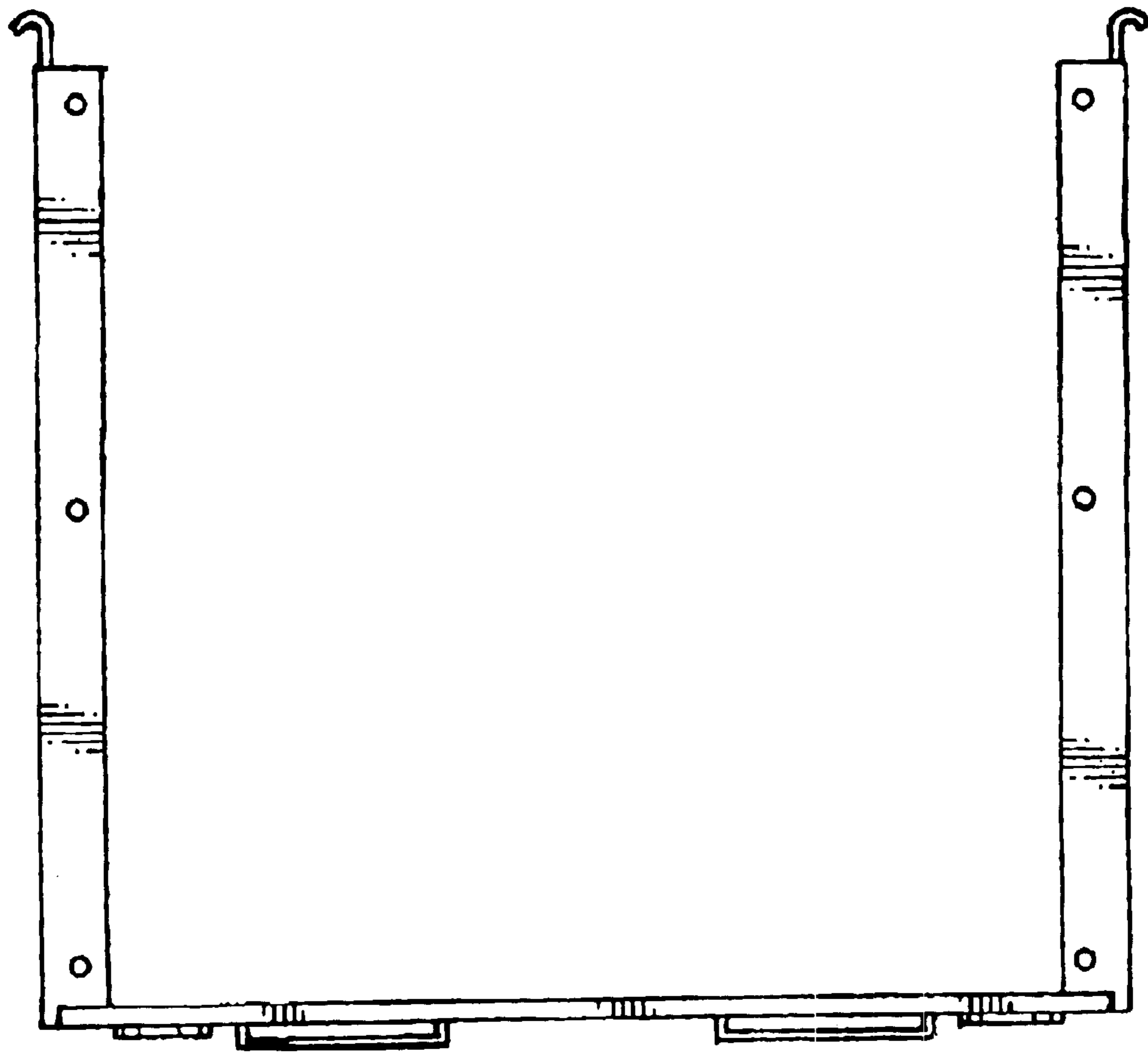


FIG. 6.

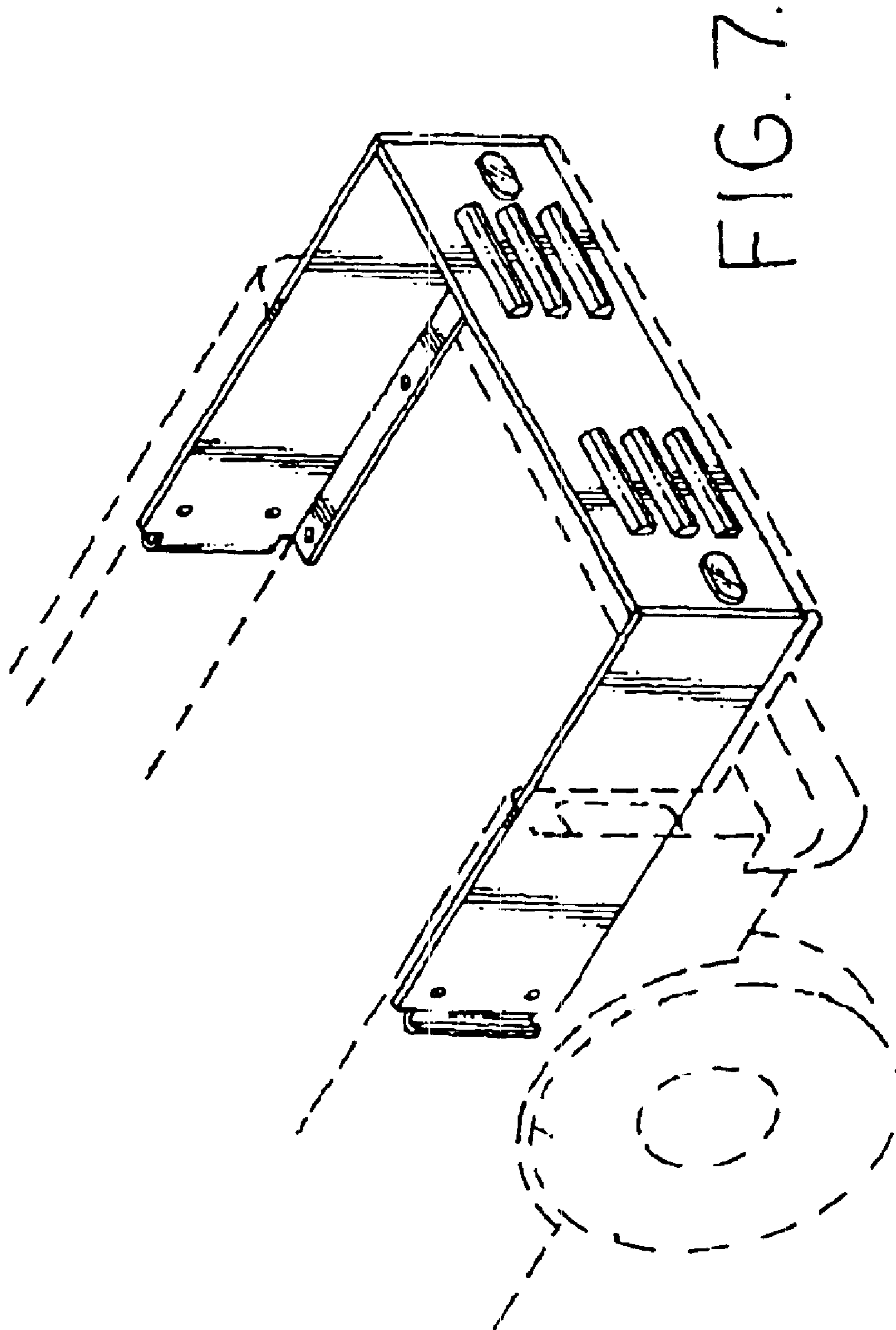


FIG. 7.