



US00D501442S

(12) **United States Design Patent**
Hutchinson

(10) **Patent No.:** **US D501,442 S**

(45) **Date of Patent:** **** Feb. 1, 2005**

(54) **SPOT WELDED STAINLESS STEEL
AIRCRAFT FIREWALL CONDUIT**

(76) Inventor: **Harold D. Hutchinson**, 221 Lombard
St., Oxnard, CA (US) 93030

(**) Term: **14 Years**

(21) Appl. No.: **29/203,578**

(22) Filed: **Apr. 16, 2004**

Related U.S. Application Data

(60) Division of application No. 29/177,205, filed on Mar. 4,
2003, now Pat. No. Des. 493,412, which is a continuation-
in-part of application No. 29/172,814, filed on Dec. 17,
2002, now abandoned.

(51) **LOC (7) Cl.** **12-99**

(52) **U.S. Cl.** **D12/345**

(58) **Field of Search** D12/345; D32/31;
60/271; 239/265.11

(56) **References Cited**

U.S. PATENT DOCUMENTS

D350,722 S * 9/1994 Figueroa D12/345

D493,412 S * 7/2004 Hutchinson D12/345

* cited by examiner

Primary Examiner—Marcus A. Jackson

(74) *Attorney, Agent, or Firm*—Trojan Law Offices

(57) **CLAIM**

The ornamental design for a spot welded stainless steel
aircraft firewall conduit, substantially as shown and
described.

DESCRIPTION

FIG. 1 is a front elevational view of an alternate embodiment
of a right angle spot welded stainless steel aircraft firewall
conduit including a flapper valve;

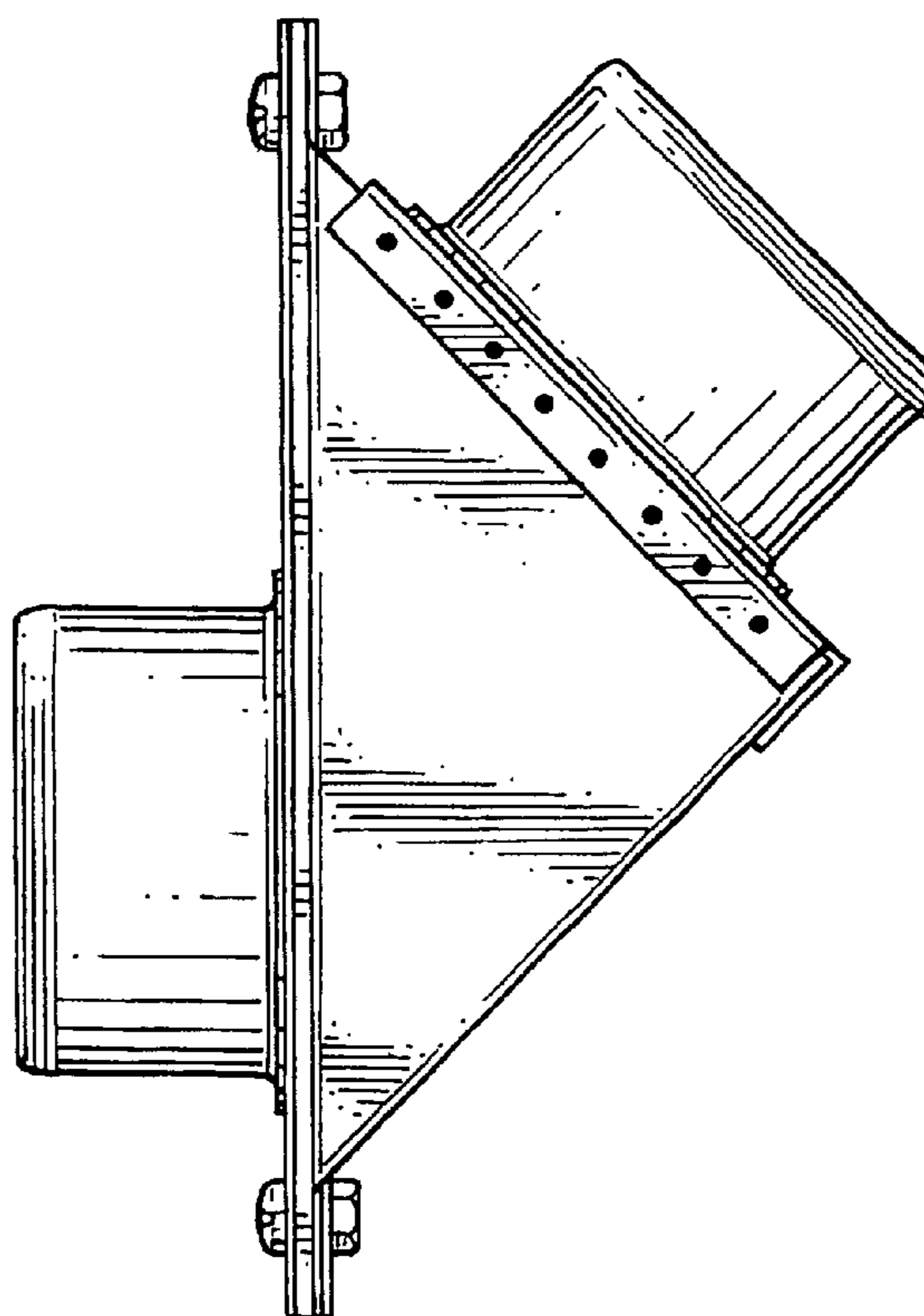
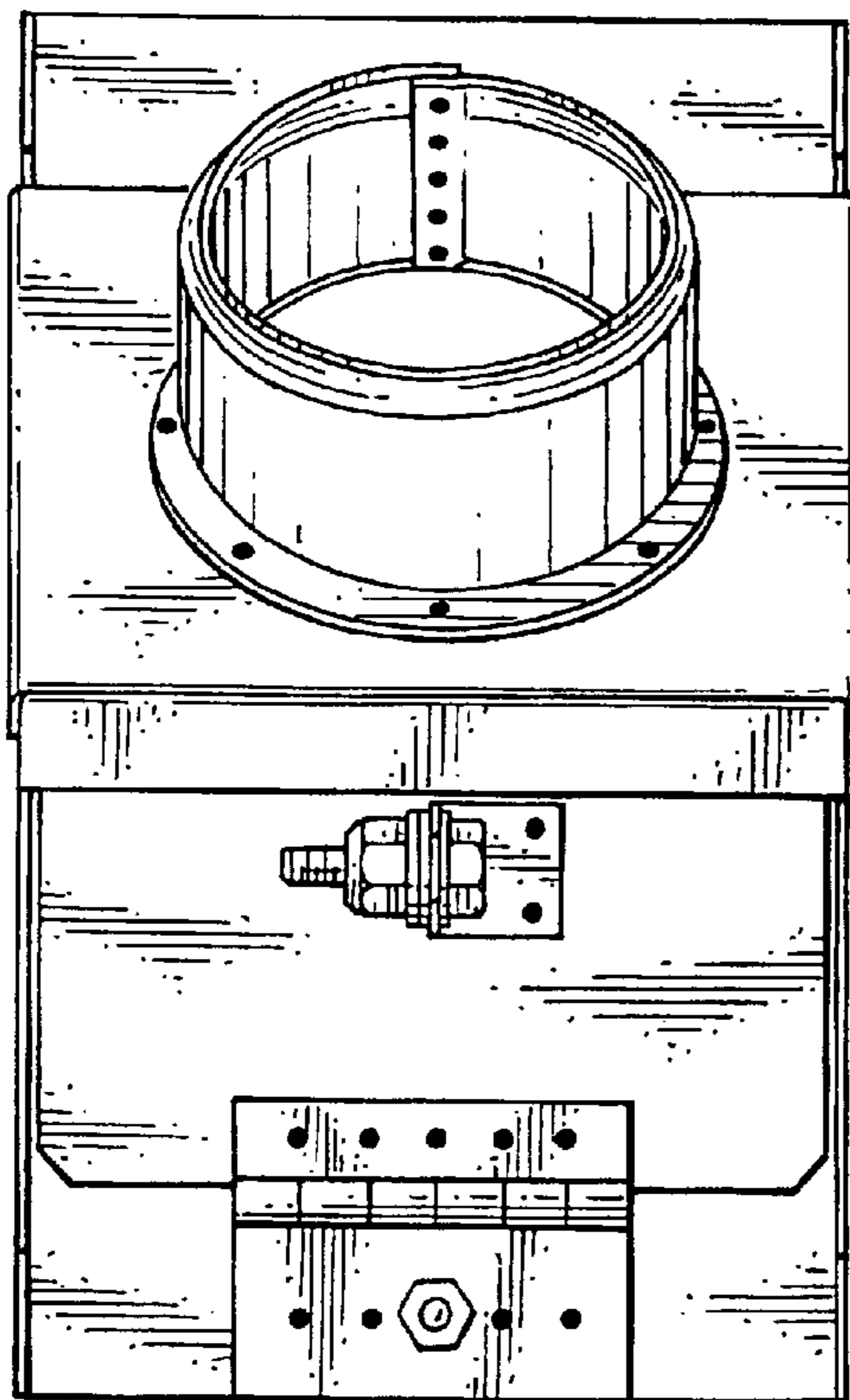
FIG. 2 is a left side elevational view of the embodiment of
FIG. 1;

FIG. 3 is a right side elevational view of the embodiment of
FIG. 1;

FIG. 4 is a rear elevational view of the embodiment of FIG.
1;

FIG. 5 is a top plan view of the embodiment of FIG. 1; and,
FIG. 6 is a bottom plan view of the embodiment of FIG. 1.

1 Claim, 3 Drawing Sheets



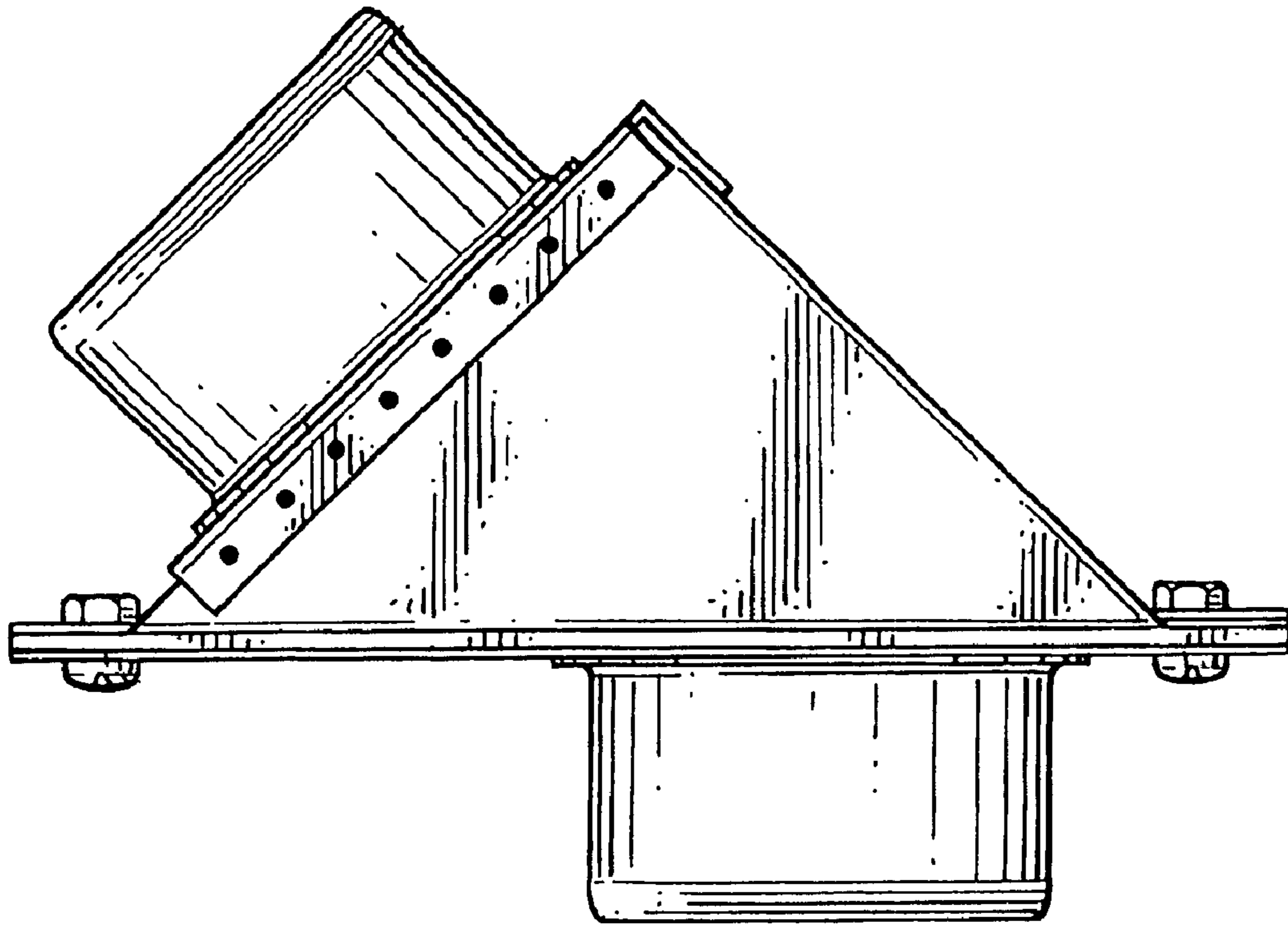


Fig. 2.

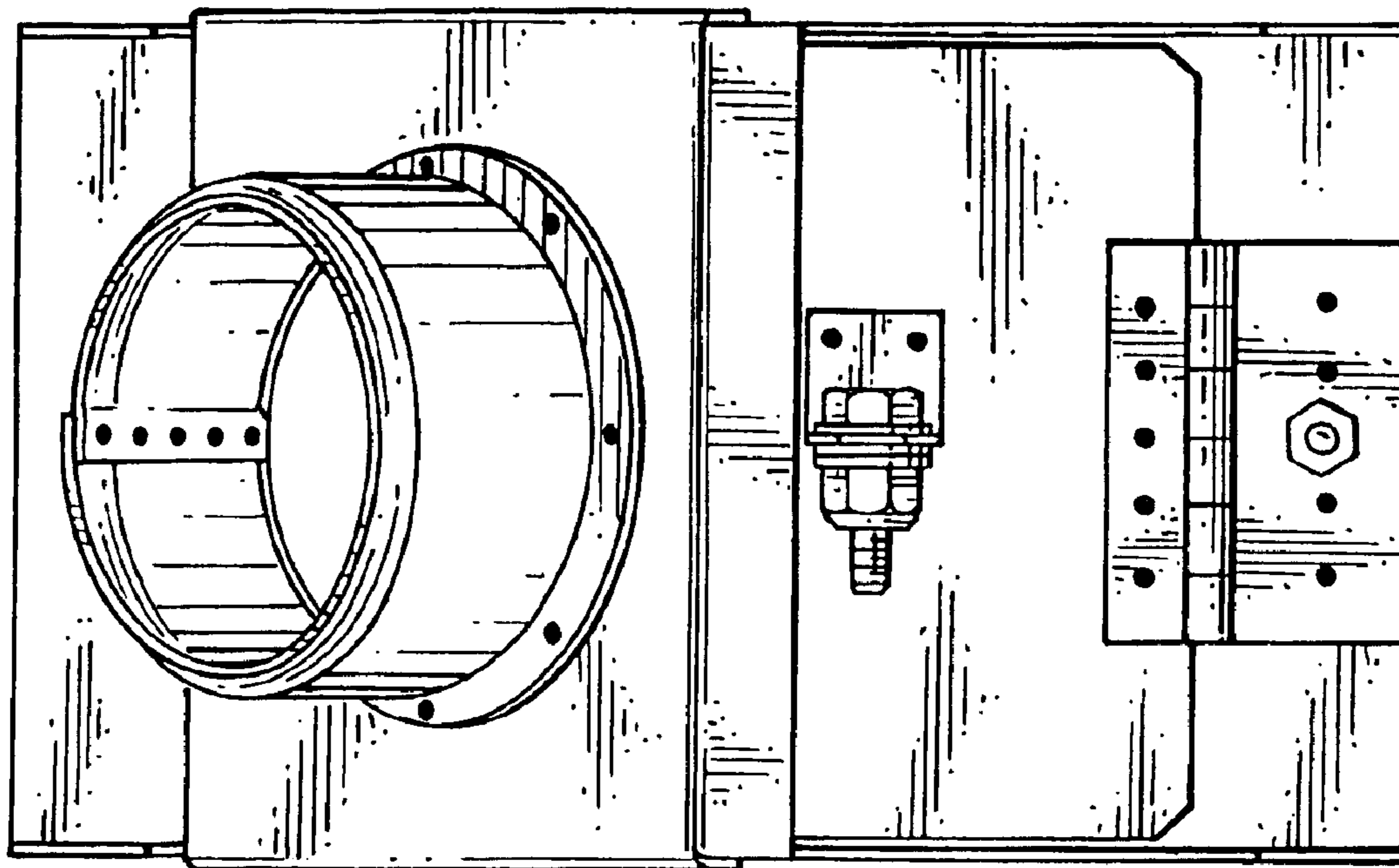


Fig. 1.

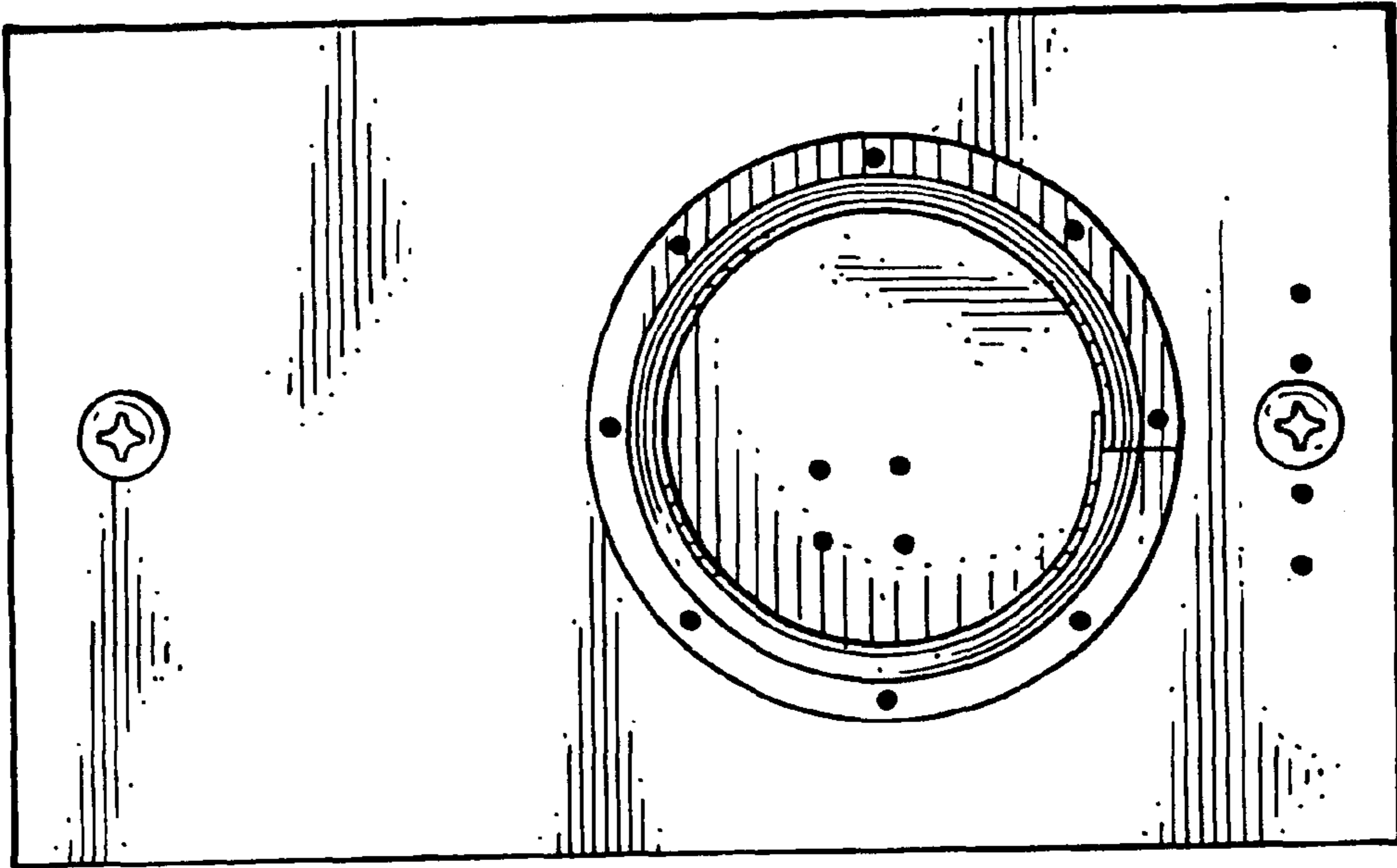


Fig. 4.

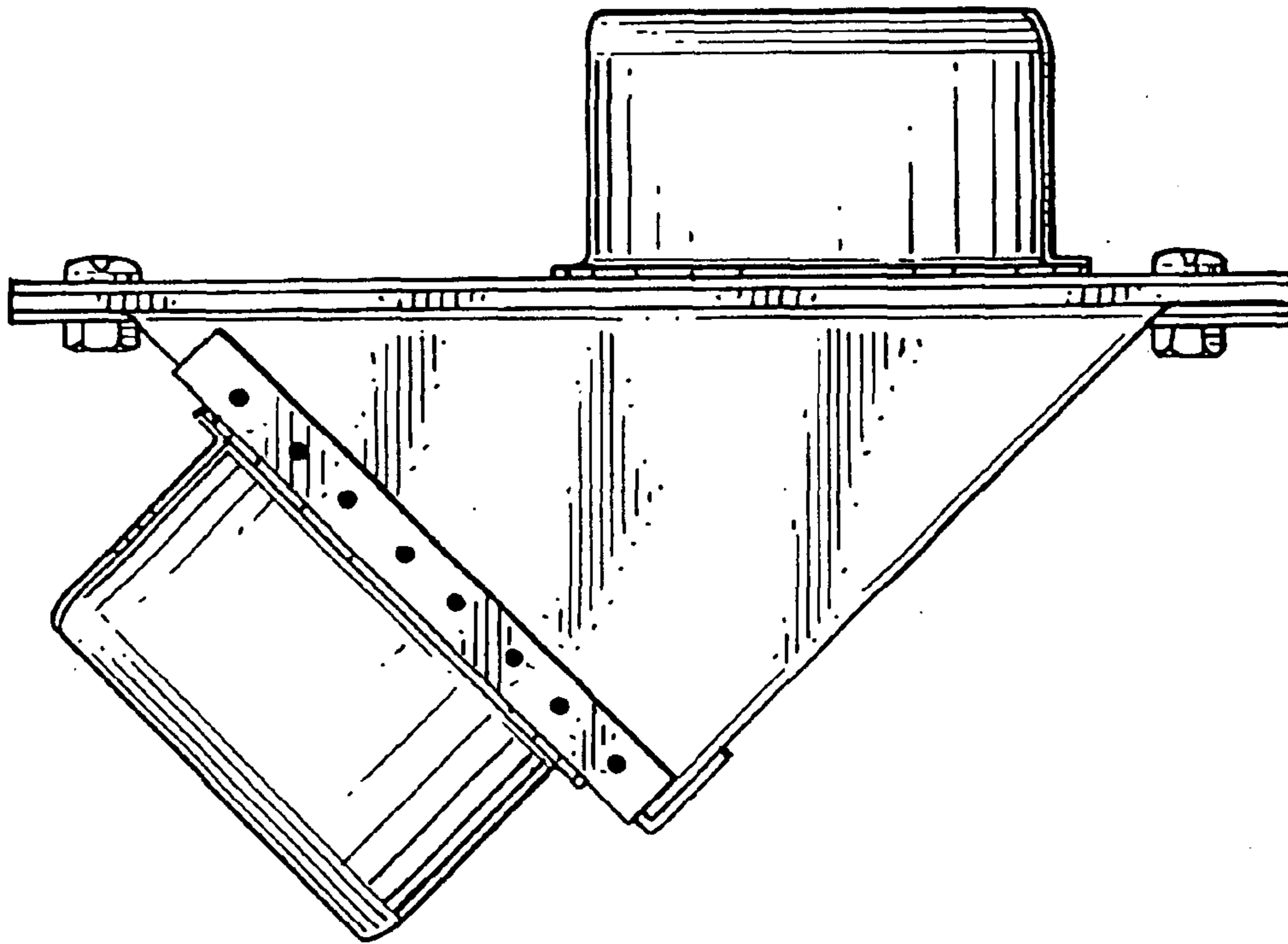


Fig. 3.

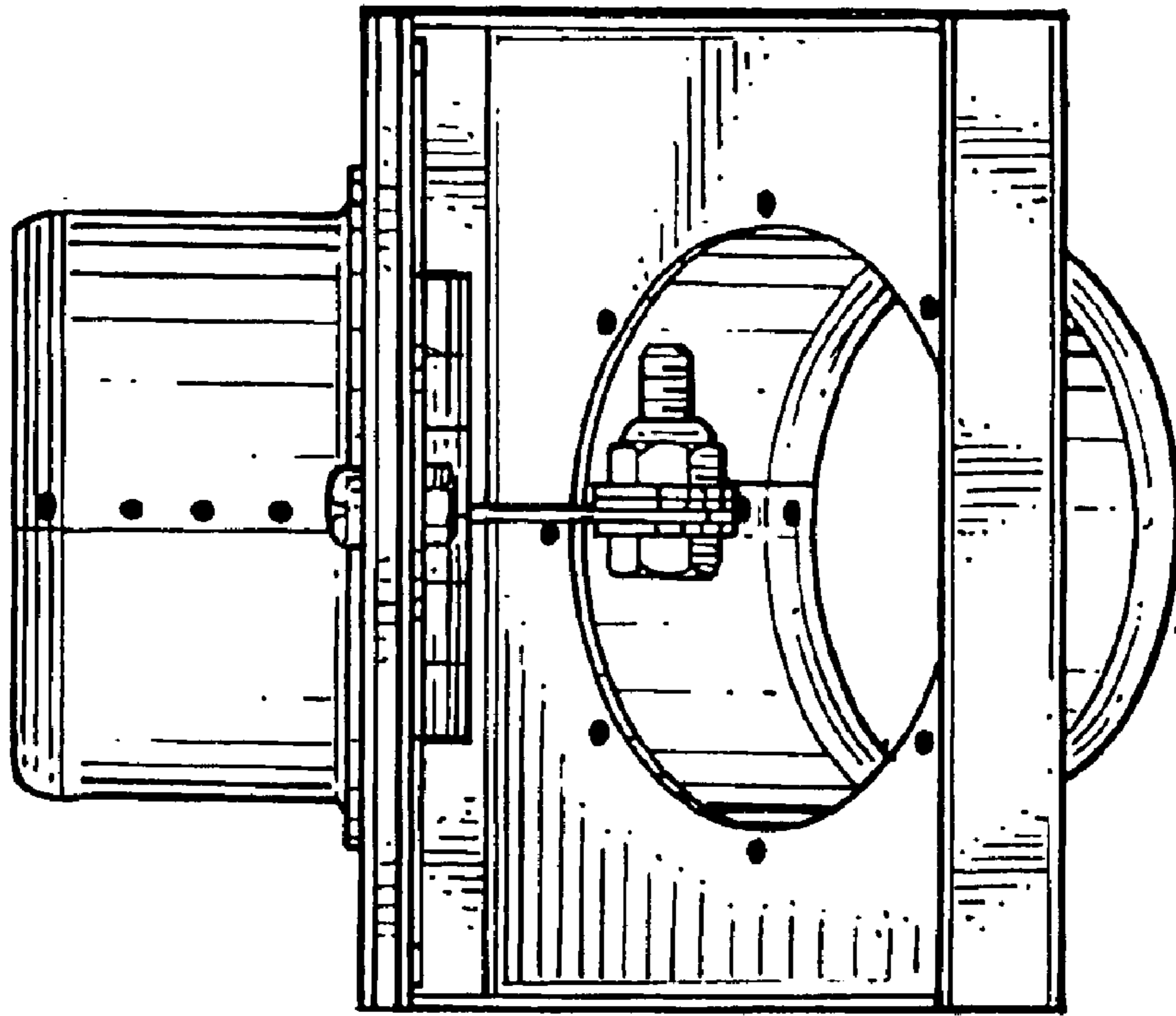


Fig. 6.

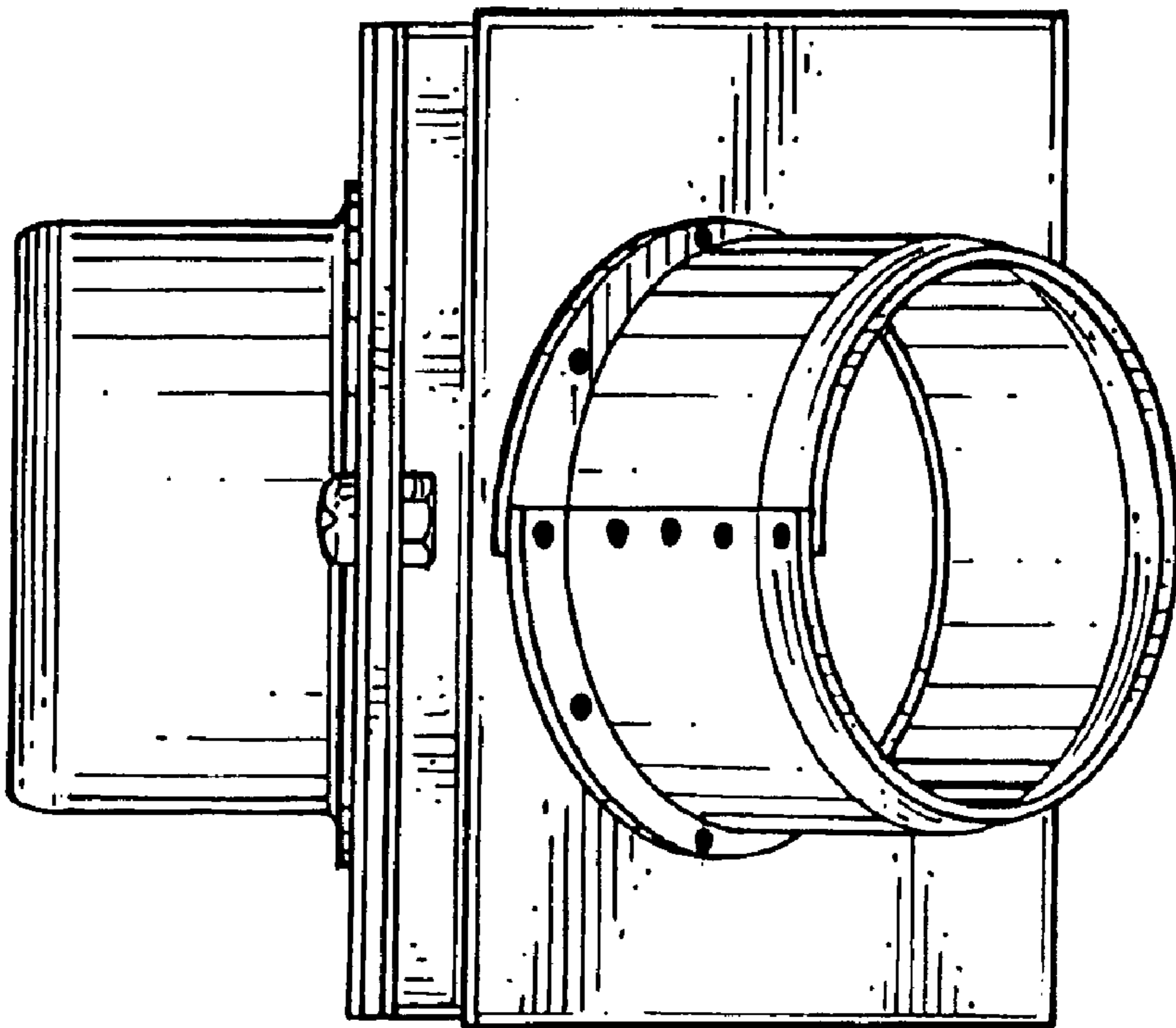


Fig. 5.