



US00D501441S

(12) **United States Design Patent**
Rosenbohm

(10) **Patent No.:** **US D501,441 S**

(45) **Date of Patent:** **** Feb. 1, 2005**

(54) **FRONT FACE OF A VEHICLE WHEEL**

(75) **Inventor:** **Oliver Rosenbohm, Stuttgart (DE)**

(73) **Assignee:** **Dr. Ing. h.c.F. Porsche
Aktiengesellschaft, Stuttgart (DE)**

(**) **Term:** **14 Years**

(21) **Appl. No.:** **29/207,608**

(22) **Filed:** **Jun. 17, 2004**

(30) **Foreign Application Priority Data**

Dec. 19, 2003 (DE) 4 03 08 034

(51) **LOC (7) Cl.** **12-16**

(52) **U.S. Cl.** **D12/211**

(58) **Field of Search** D12/204-213;
301/37.101, 64.101, 65

(56) **References Cited**

U.S. PATENT DOCUMENTS

D371,100 S * 6/1996 Hatter D12/209
D400,153 S * 10/1998 Bhambra D12/209
D409,546 S * 5/1999 Stark D12/209

D424,499 S * 5/2000 Fitzgerald D12/209
D451,062 S * 11/2001 Yoshida D12/209
D451,065 S * 11/2001 Braun D12/211
D455,693 S * 4/2002 Sato et al. D12/209
D455,991 S * 4/2002 Kaucher D12/209
D472,509 S * 4/2003 Laengerer D12/209
D473,506 S * 4/2003 Laengerer D12/211

* cited by examiner

Primary Examiner—Stacia Cadmus

(74) *Attorney, Agent, or Firm*—Crowell & Moring LLP

(57) **CLAIM**

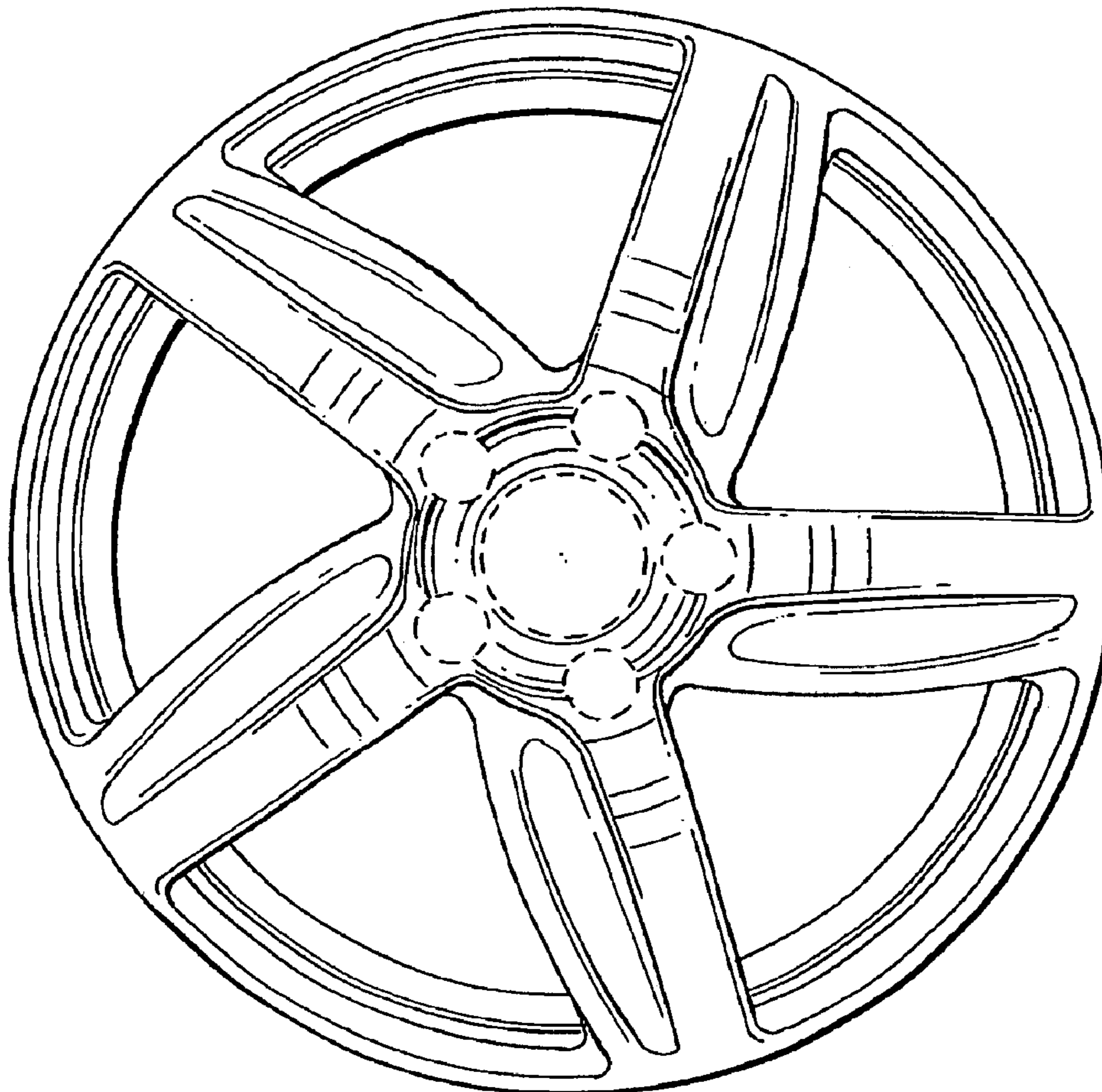
The ornamental design for a front face of a vehicle wheel, as shown and described.

DESCRIPTION

FIG. 1 is a front view of a front face of a vehicle wheel according to my novel design; and, FIG. 2 is a perspective view of the front face of a vehicle wheel according to my novel design.

The broken lines are for illustrative purposes only and form no part of the claimed design.

1 Claim, 1 Drawing Sheet



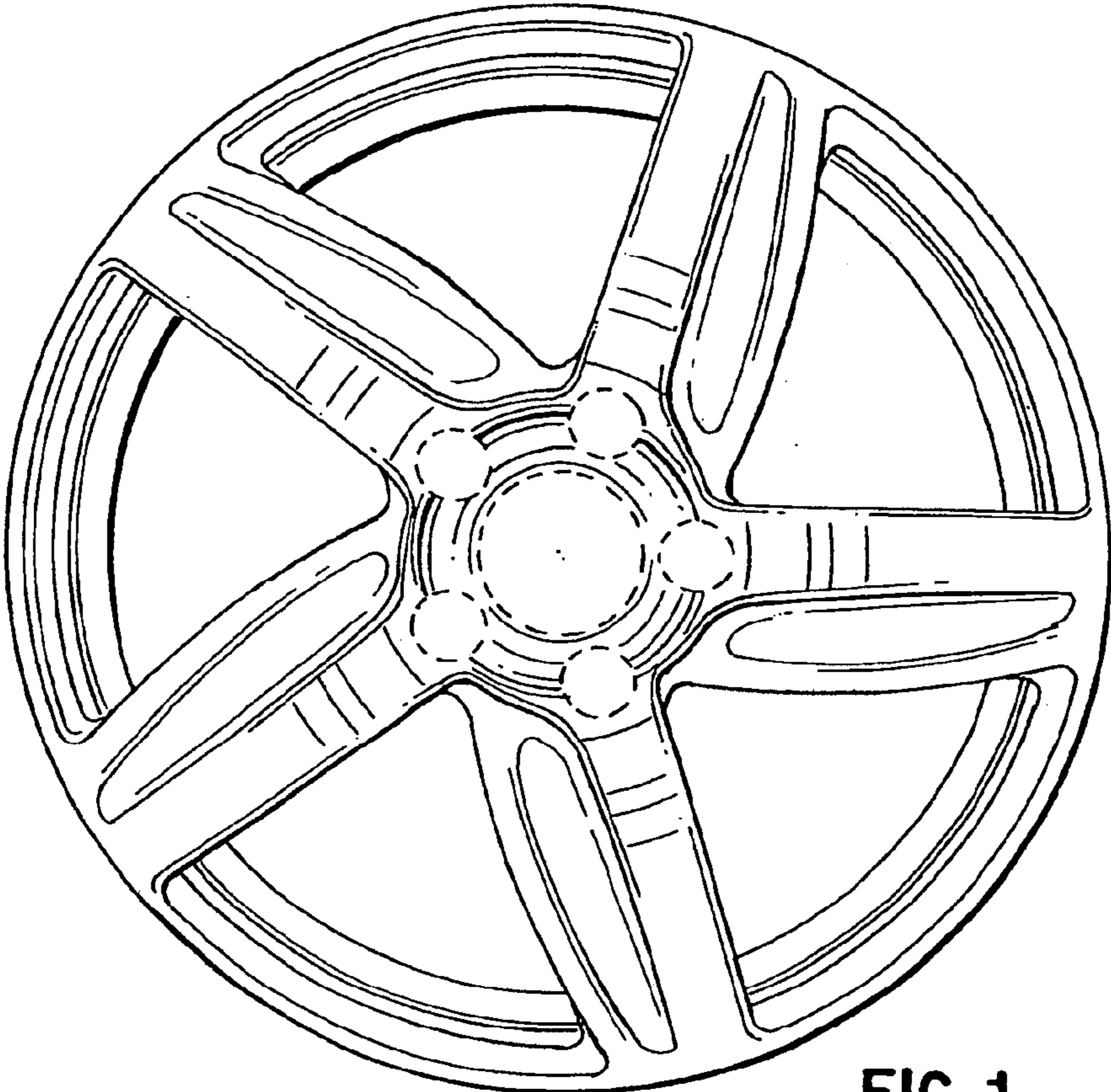


FIG. 1

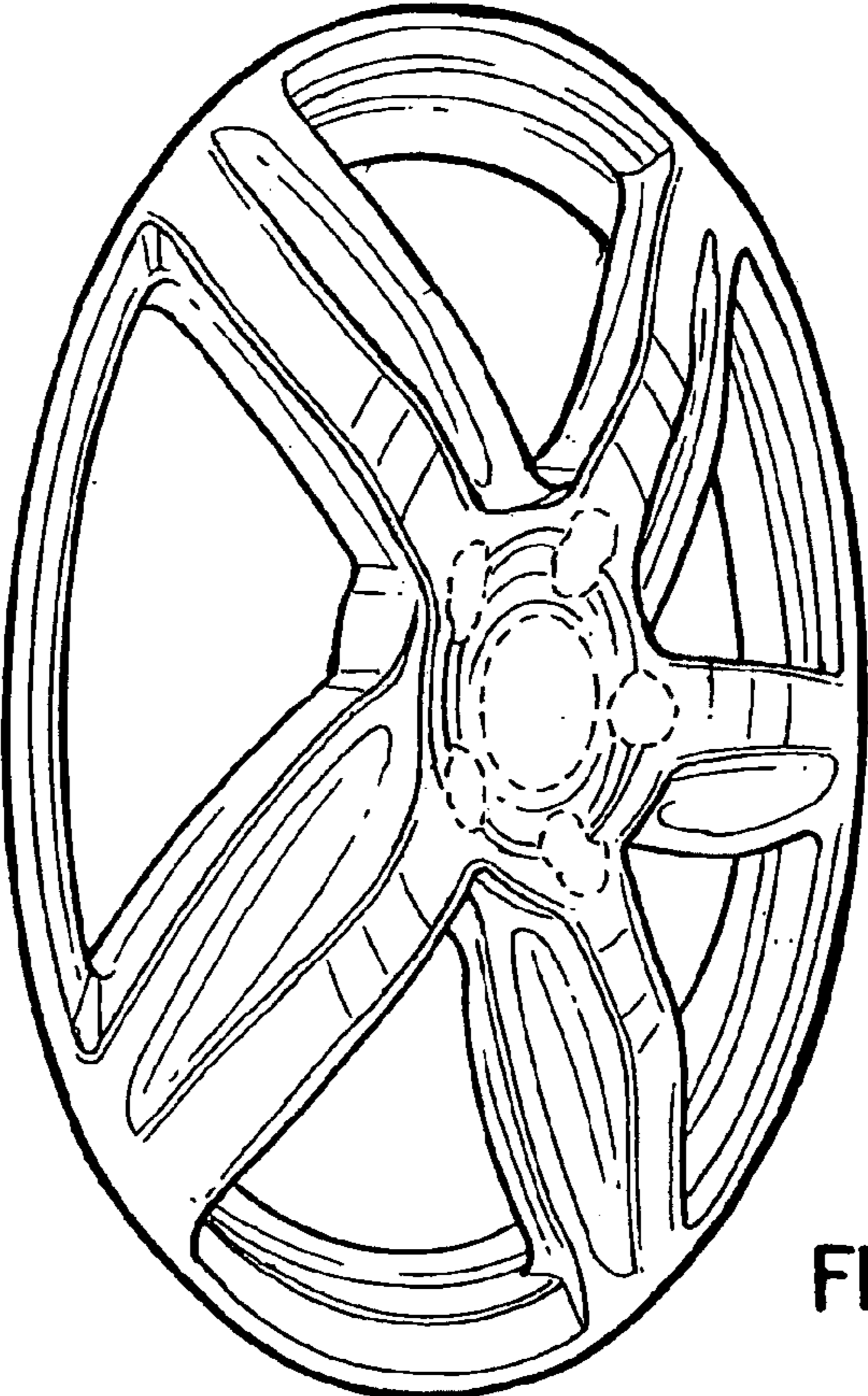


FIG. 2