

US00D501440S

(12) **United States Design Patent**
Pfeiffer

(10) **Patent No.:** **US D501,440 S**

(45) **Date of Patent:** **** Feb. 1, 2005**

(54) **FRONT FACE OF A VEHICLE WHEEL**

(75) **Inventor:** **Peter Pfeiffer**, Boeblingen (DE)

(73) **Assignee:** **DaimlerChrysler AG**, Stuttgart (DE)

(**) **Term:** **14 Years**

(21) **Appl. No.:** **29/190,717**

(22) **Filed:** **Sep. 26, 2003**

(30) **Foreign Application Priority Data**

Apr. 15, 2003 (DE) 403 02 981

(51) **LOC (7) Cl.** **12-16**

(52) **U.S. Cl.** **D12/211**

(58) **Field of Search** D12/204-213;
301/37.101, 64.101, 65

(56) **References Cited**

U.S. PATENT DOCUMENTS

- D208,543 S * 9/1967 Halibrand D12/211
- D432,479 S * 10/2000 Lee et al. D12/209
- D438,165 S * 2/2001 Echazabal D12/211
- D450,026 S * 11/2001 Donikoglu D12/209
- D455,703 S * 4/2002 Foose D12/211
- D464,924 S * 10/2002 Singer D12/211
- D466,466 S * 12/2002 Laengerer D12/211

- D470,449 S * 2/2003 Bernoni D12/211
- D473,505 S * 4/2003 Min D12/209
- D477,265 S * 7/2003 Chung D12/211
- D481,344 S * 10/2003 Mattin et al. D12/211
- D486,771 S * 2/2004 Singer D12/211

* cited by examiner

Primary Examiner—Stacia Cadmus

(74) *Attorney, Agent, or Firm*—Crowell & Moring LLP

(57) **CLAIM**

The ornamental design for a front face of a vehicle wheel, as shown and described.

DESCRIPTION

FIG. 1 is a front view of a first embodiment of a front face of a vehicle wheel according to my novel design;

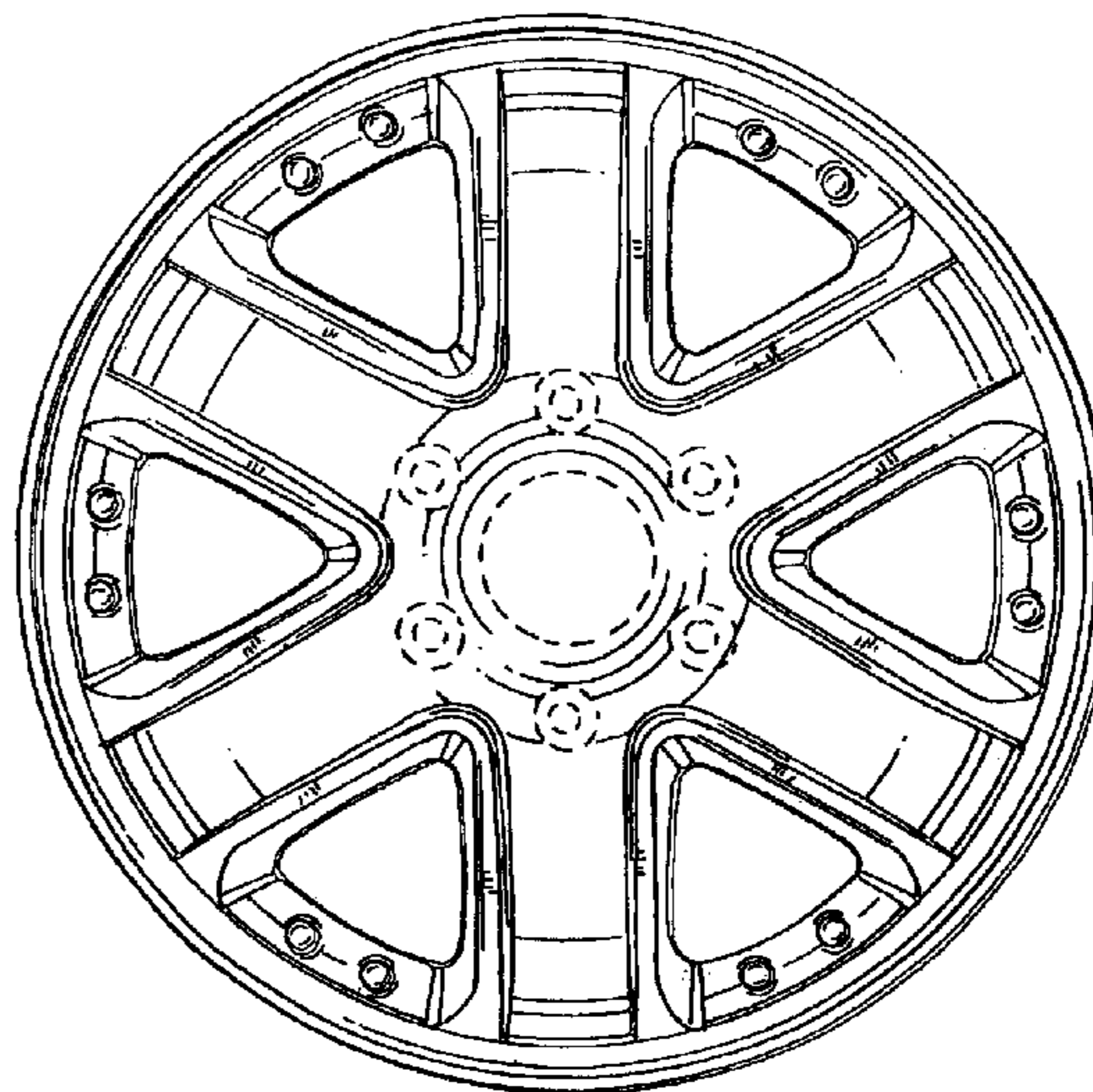
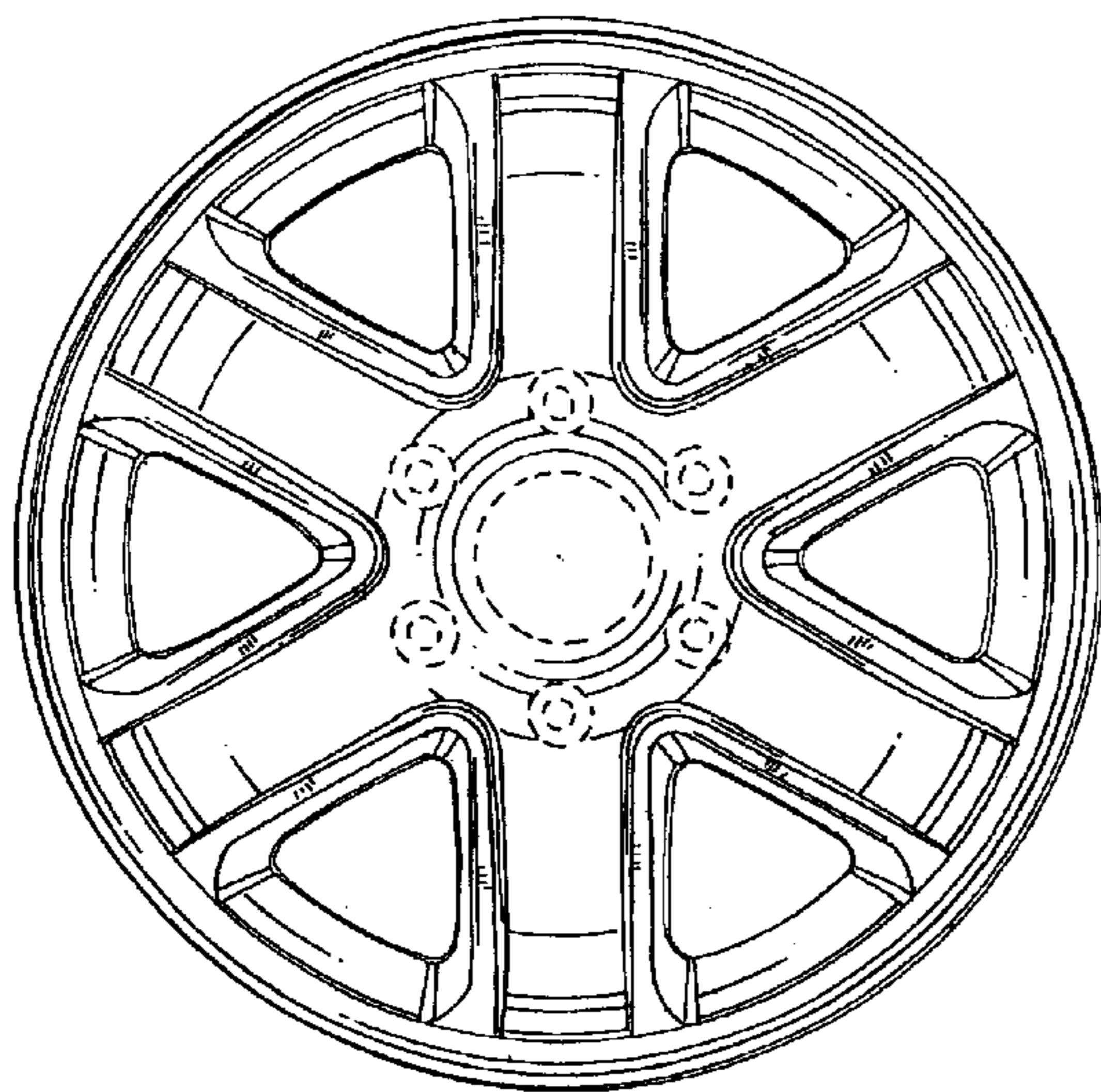
FIG. 2 is a perspective view of the first embodiment of the front face of a vehicle wheel according to my novel design;

FIG. 3 is a front view of a second embodiment of the front face of a vehicle wheel according to my novel design; and,

FIG. 4 is a perspective view of the second embodiment of the front face of a vehicle wheel according to my novel design.

The broken lines are for illustrative purposes only and form no part of the claimed design.

1 Claim, 2 Drawing Sheets



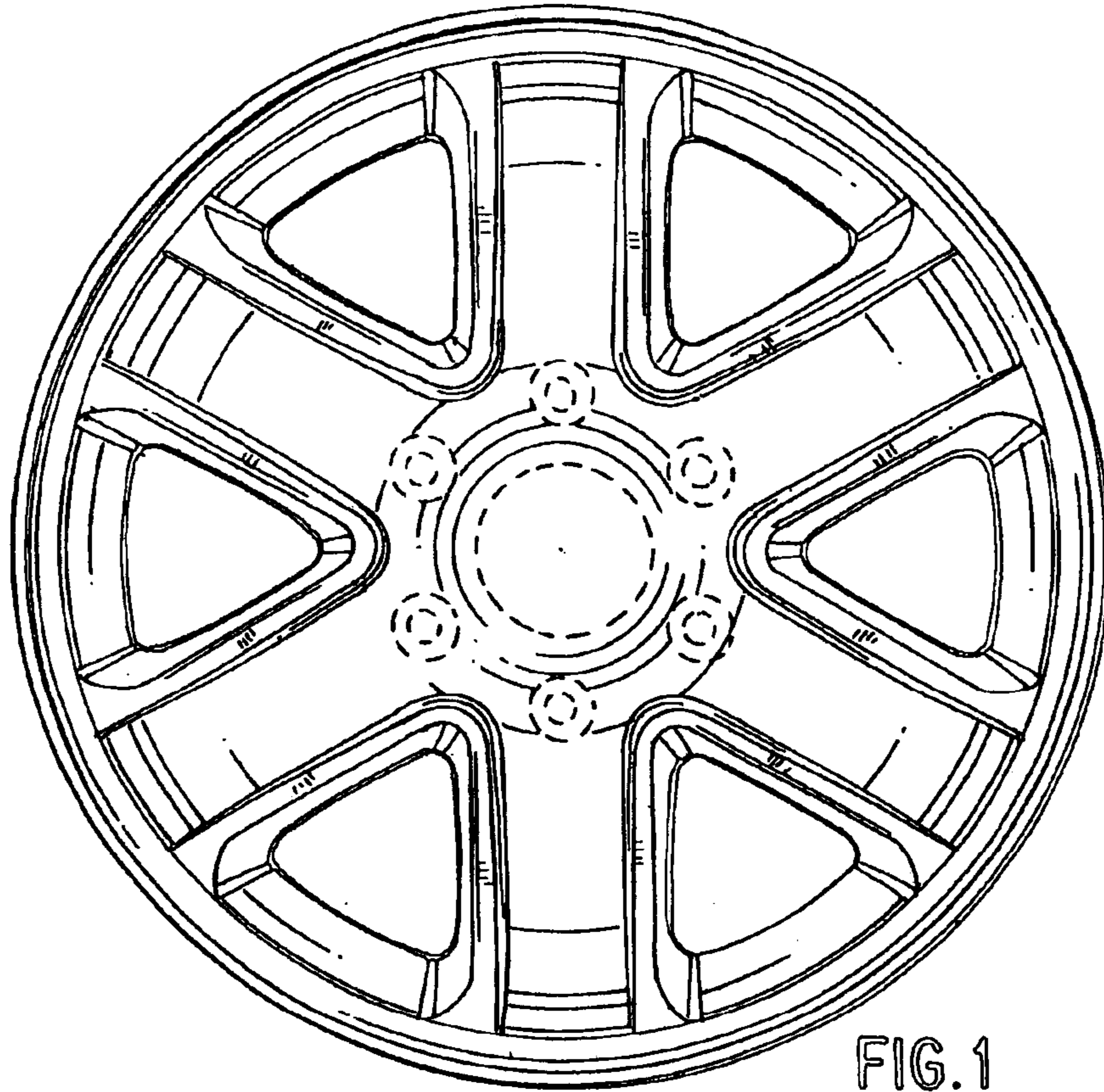


FIG. 1

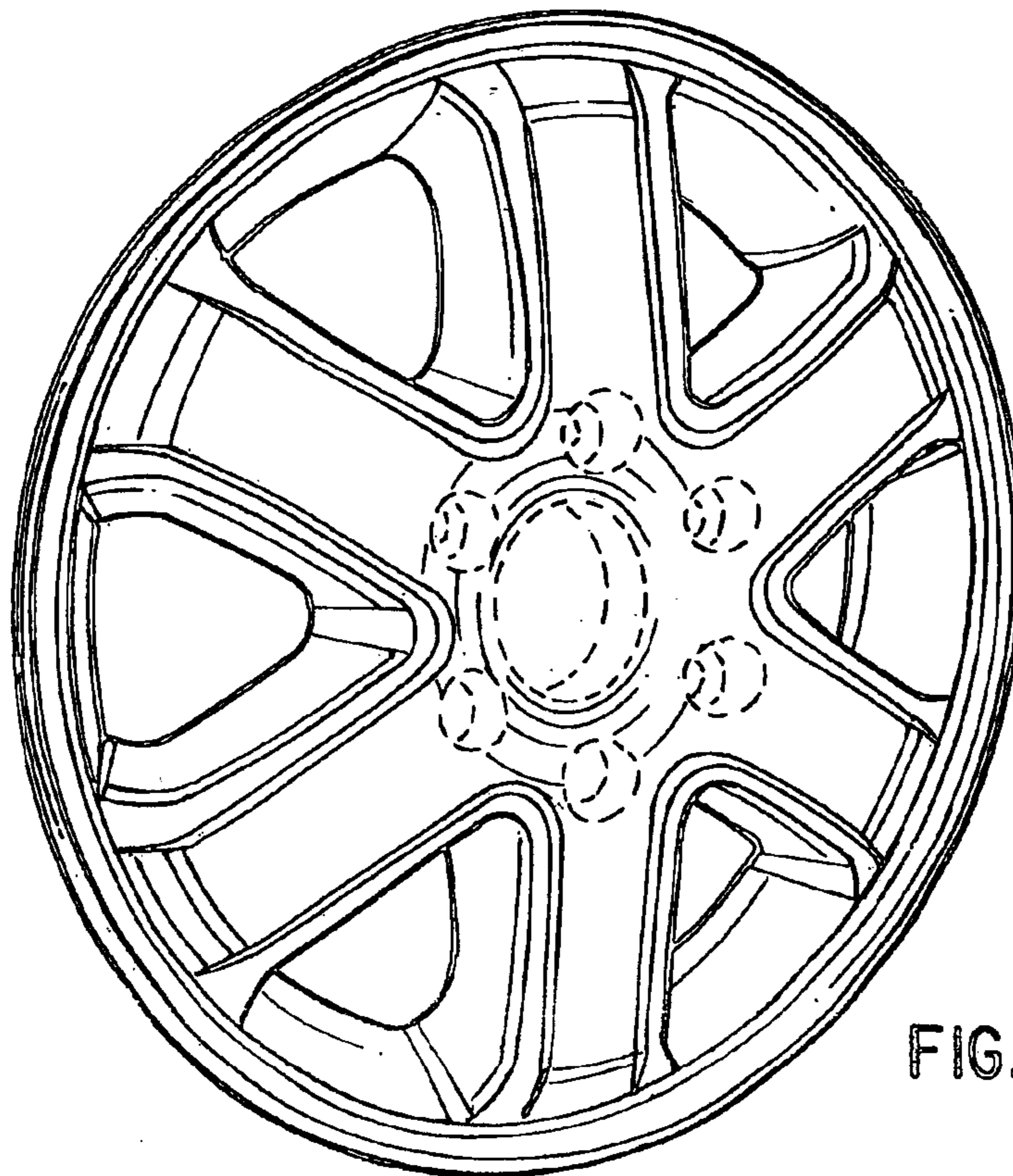


FIG. 2

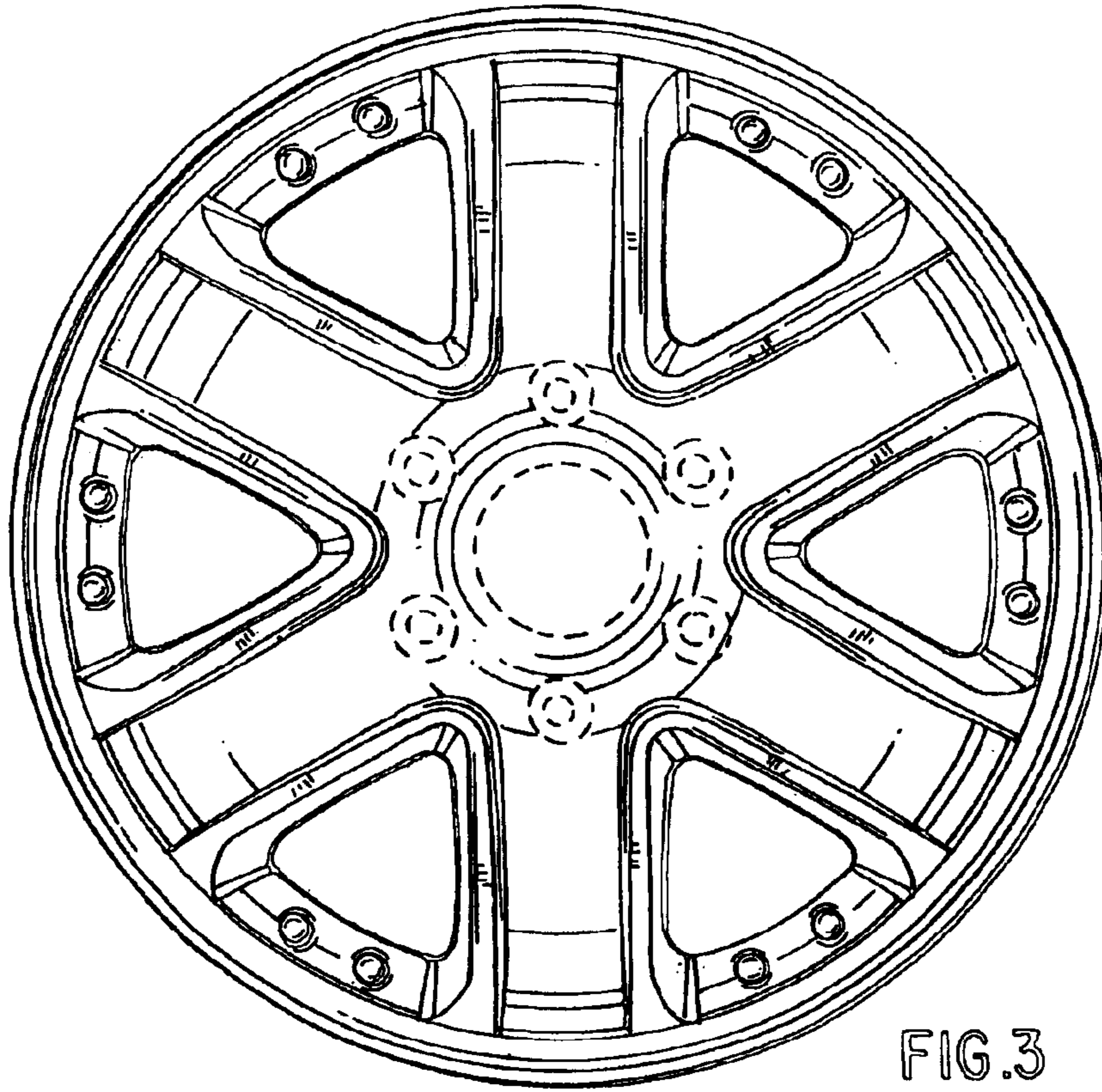


FIG. 3

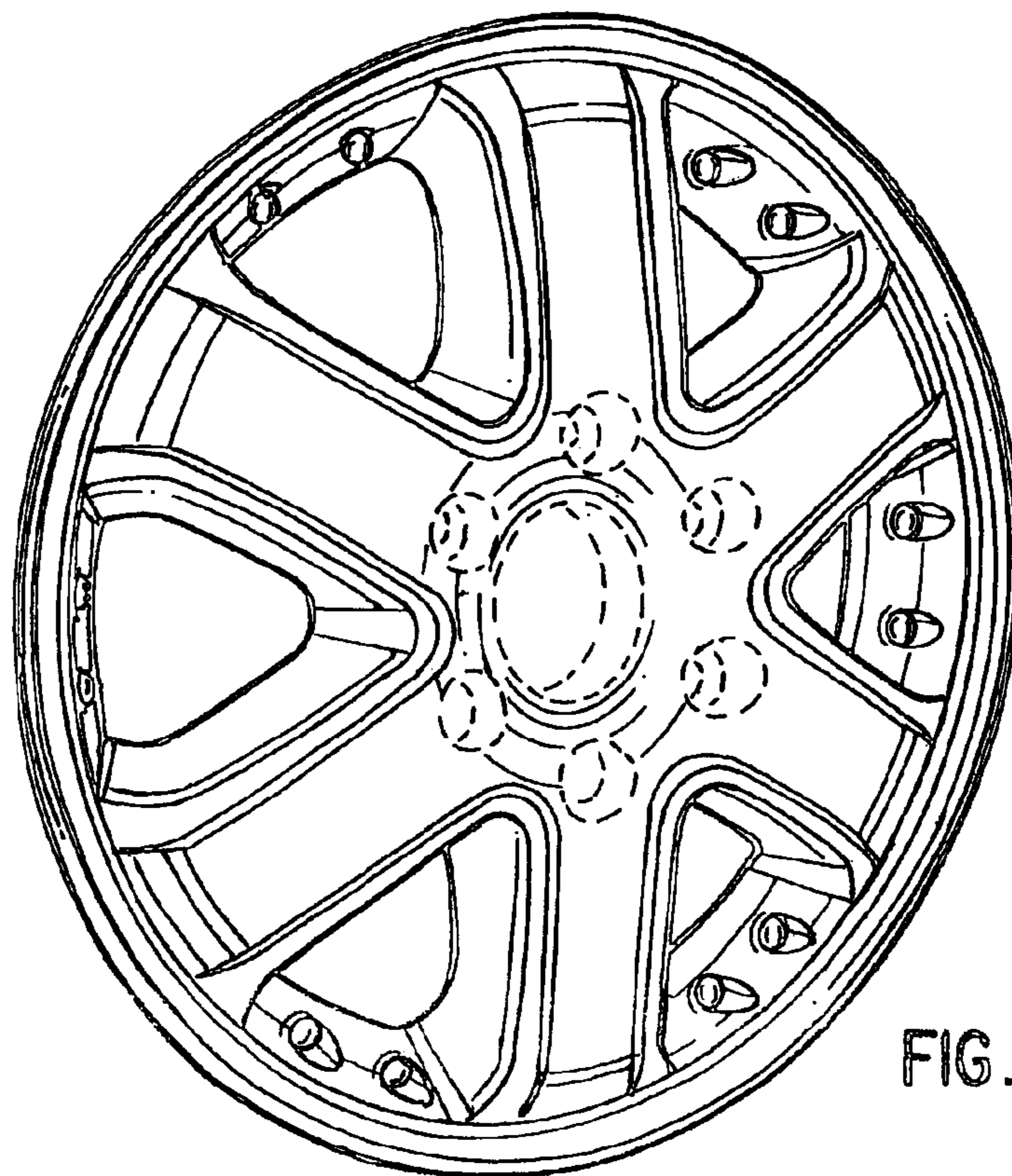


FIG. 4