

US00D501439S

(12) **United States Design Patent**
Chiu

(10) **Patent No.:** **US D501,439 S**

(45) **Date of Patent:** **** Feb. 1, 2005**

(54) **WHEEL COVER**

D469,051 S * 1/2003 Brintouch D12/209
D479,172 S * 9/2003 Sulahian D12/209

(76) Inventor: **Ching-Nu Chiu**, No. 32, Lane 764,
Jhongshan N. Rd., Yongkang City,
Tainan County (TW)

* cited by examiner

(**) Term: **14 Years**

Primary Examiner—Stacia Cadmus

(74) *Attorney, Agent, or Firm*—Rosenberg, Klein & Lee

(21) Appl. No.: **29/201,172**

(57) **CLAIM**

(22) Filed: **Mar. 12, 2004**

The ornamental design for a wheel cover, as shown and described.

(51) **LOC (7) Cl.** **12-16**

(52) **U.S. Cl.** **D12/209**

(58) **Field of Search** D12/204–213;
301/37.101, 64.101, 65

DESCRIPTION

FIG. 1 is a perspective view of a wheel cover showing my new design;

FIG. 2 is a front elevational view thereof;

FIG. 3 is a rear elevational view thereof;

FIG. 4 is a left side elevational view thereof;

FIG. 5 is a right side elevational view thereof; and,

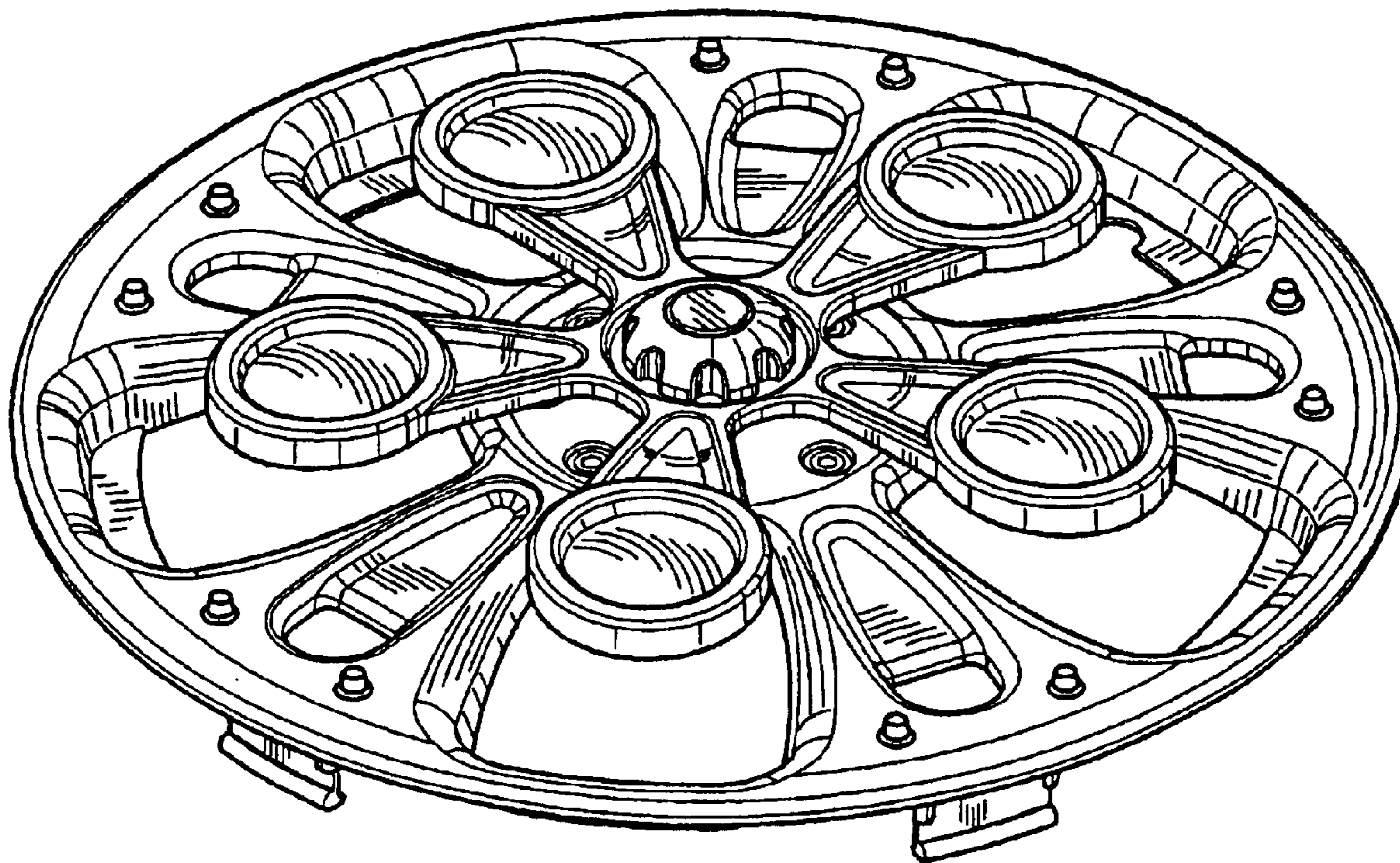
FIG. 6 is a top plan view thereof.

(56) **References Cited**

U.S. PATENT DOCUMENTS

D432,973 S * 10/2000 Fitzgerald D12/209
D444,438 S * 7/2001 Brintouch D12/209
D451,874 S * 12/2001 Donikoglu D12/209
D455,698 S * 4/2002 Chung D12/209

1 Claim, 3 Drawing Sheets



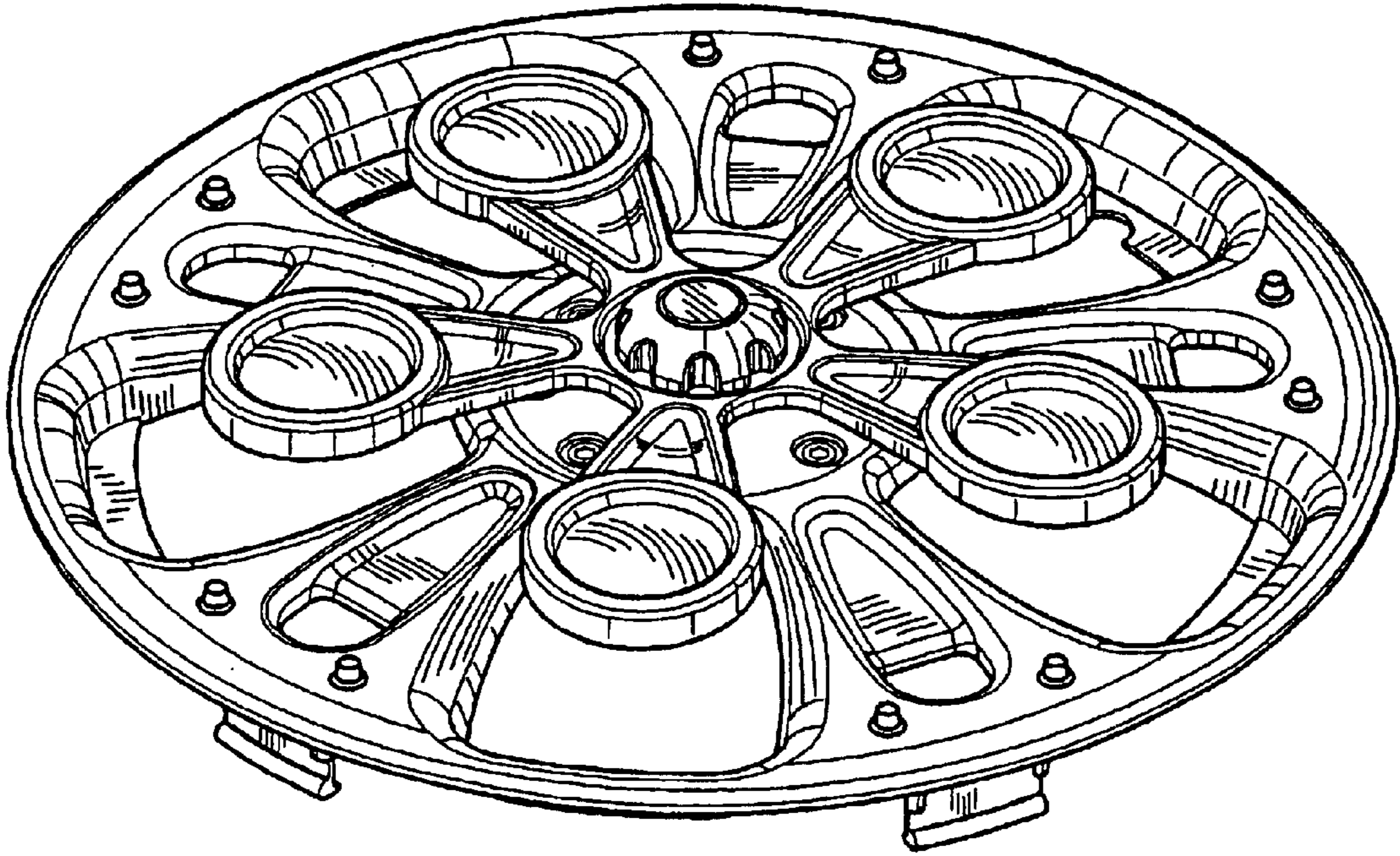


FIG. 1

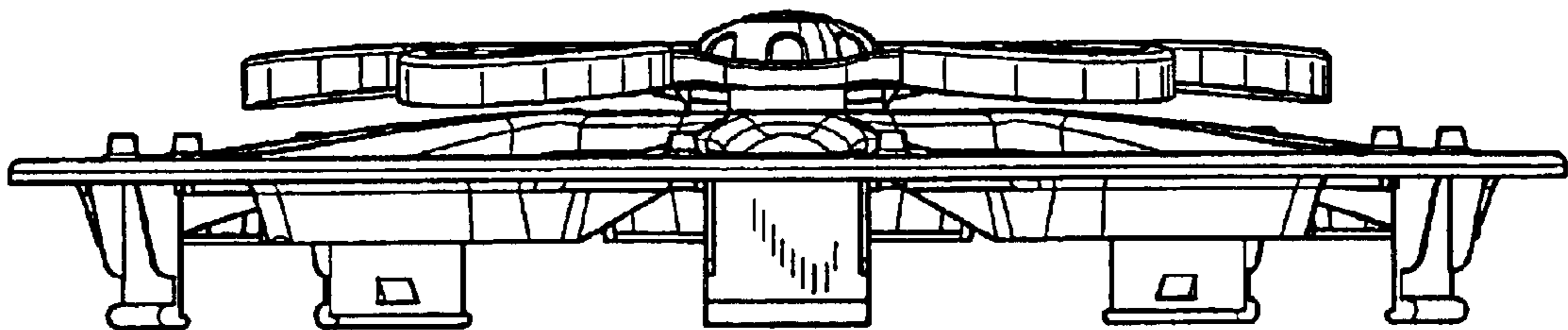


FIG. 2

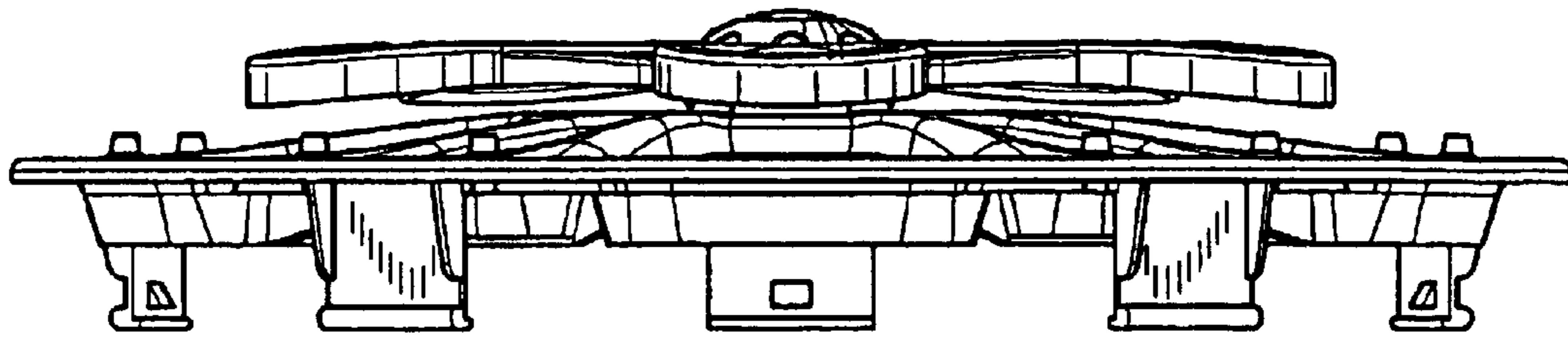


FIG. 3

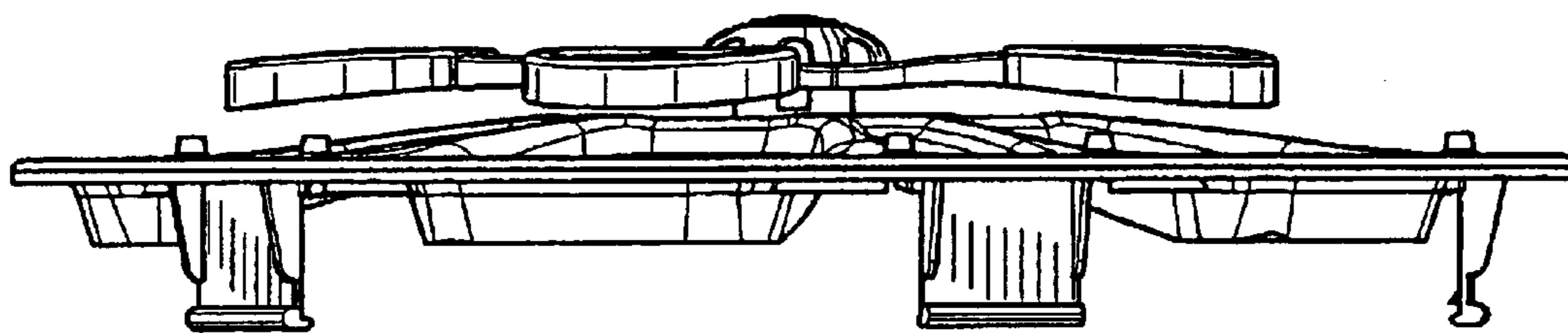


FIG. 4

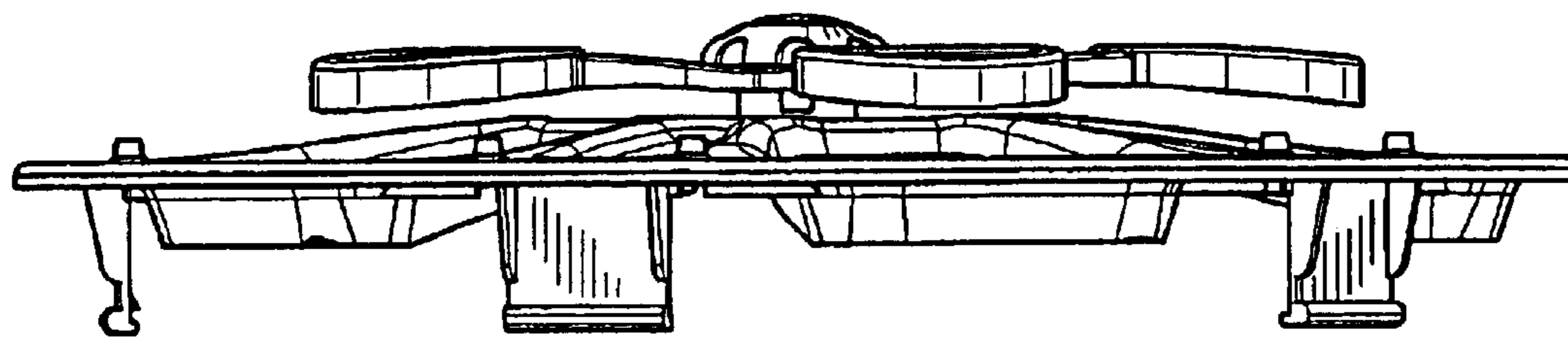


FIG. 5

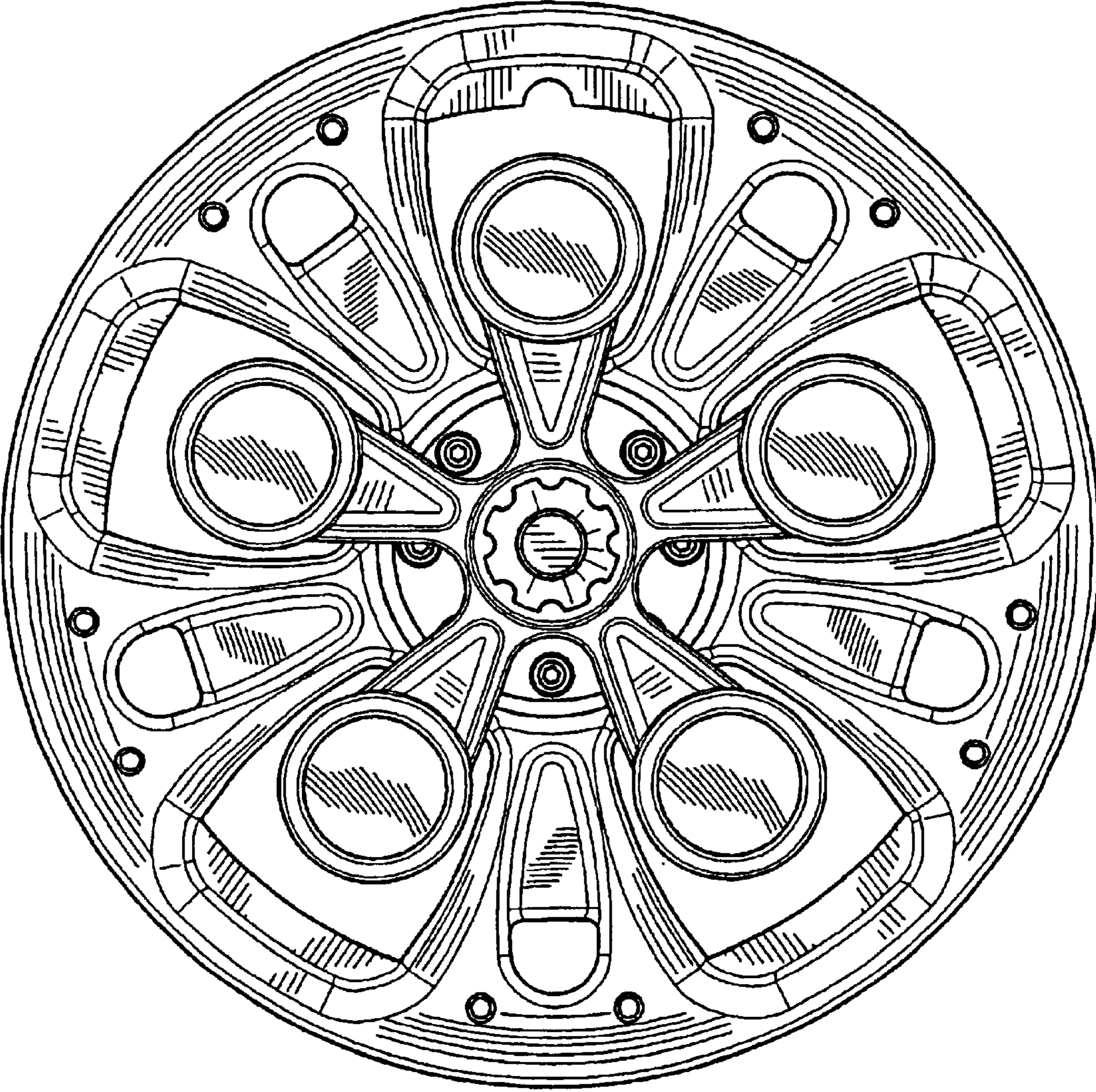


FIG. 6