

US00D501438S

(12) **United States Design Patent**  
**Chiu**

(10) **Patent No.:** **US D501,438 S**  
(45) **Date of Patent:** **\*\* Feb. 1, 2005**

(54) **WHEEL COVER**

(76) **Inventor:** **Ching-Nu Chiu**, No. 32, Lane 764,  
Jhongshan N. Rd., Yongkang City,  
Tainan County (TW)

(\*\*) **Term:** **14 Years**

(21) **Appl. No.:** **29/190,899**

(22) **Filed:** **Sep. 30, 2003**

(51) **LOC (7) Cl.** ..... **12-16**

(52) **U.S. Cl.** ..... **D12/209**

(58) **Field of Search** ..... D12/204-213;  
301/37.101, 64.101, 65

(56) **References Cited**

**U.S. PATENT DOCUMENTS**

D451,462 S	*	12/2001	Donikoglu	.....	D12/209
D451,874 S	*	12/2001	Donikoglu	.....	D12/209
D455,694 S	*	4/2002	Kaucher	.....	D12/209
D455,695 S	*	4/2002	Kaucher	.....	D12/209
D455,698 S	*	4/2002	Chung	.....	D12/209

D458,573 S	*	6/2002	Kaucher	.....	D12/211
D460,936 S	*	7/2002	Nakazawa et al.	.....	D12/209
D466,463 S	*	12/2002	Hodges	.....	D12/209
D489,307 S	*	5/2004	Tirado	.....	D12/209

\* cited by examiner

*Primary Examiner*—Stacia Cadmus

(74) *Attorney, Agent, or Firm*—Rosenberg, Klein & Lee

(57) **CLAIM**

The ornamental design for a wheel cover, as shown and described.

**DESCRIPTION**

FIG. 1 is a perspective view of a wheel cover showing my new design;

FIG. 2 is a front elevational view thereof;

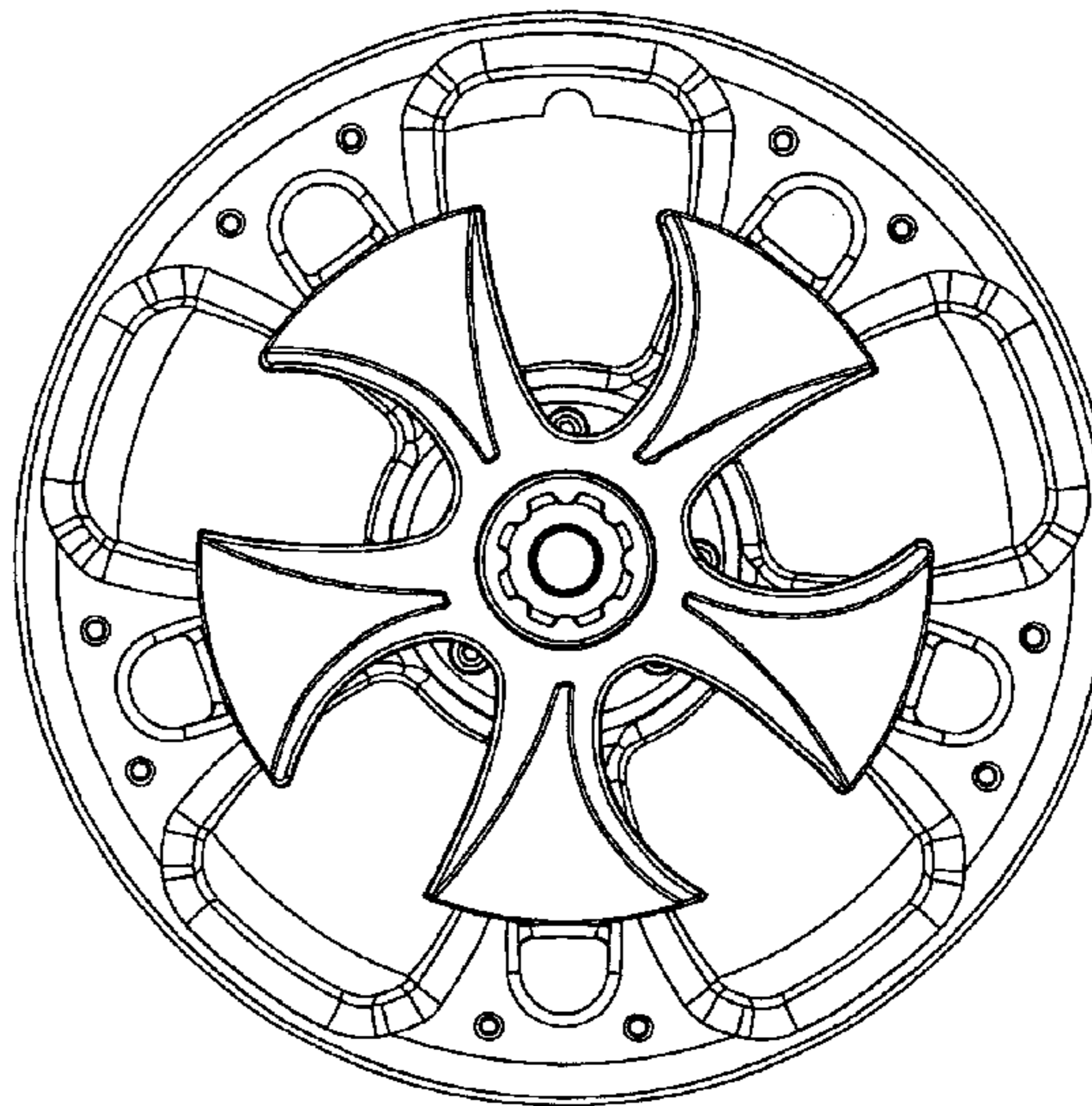
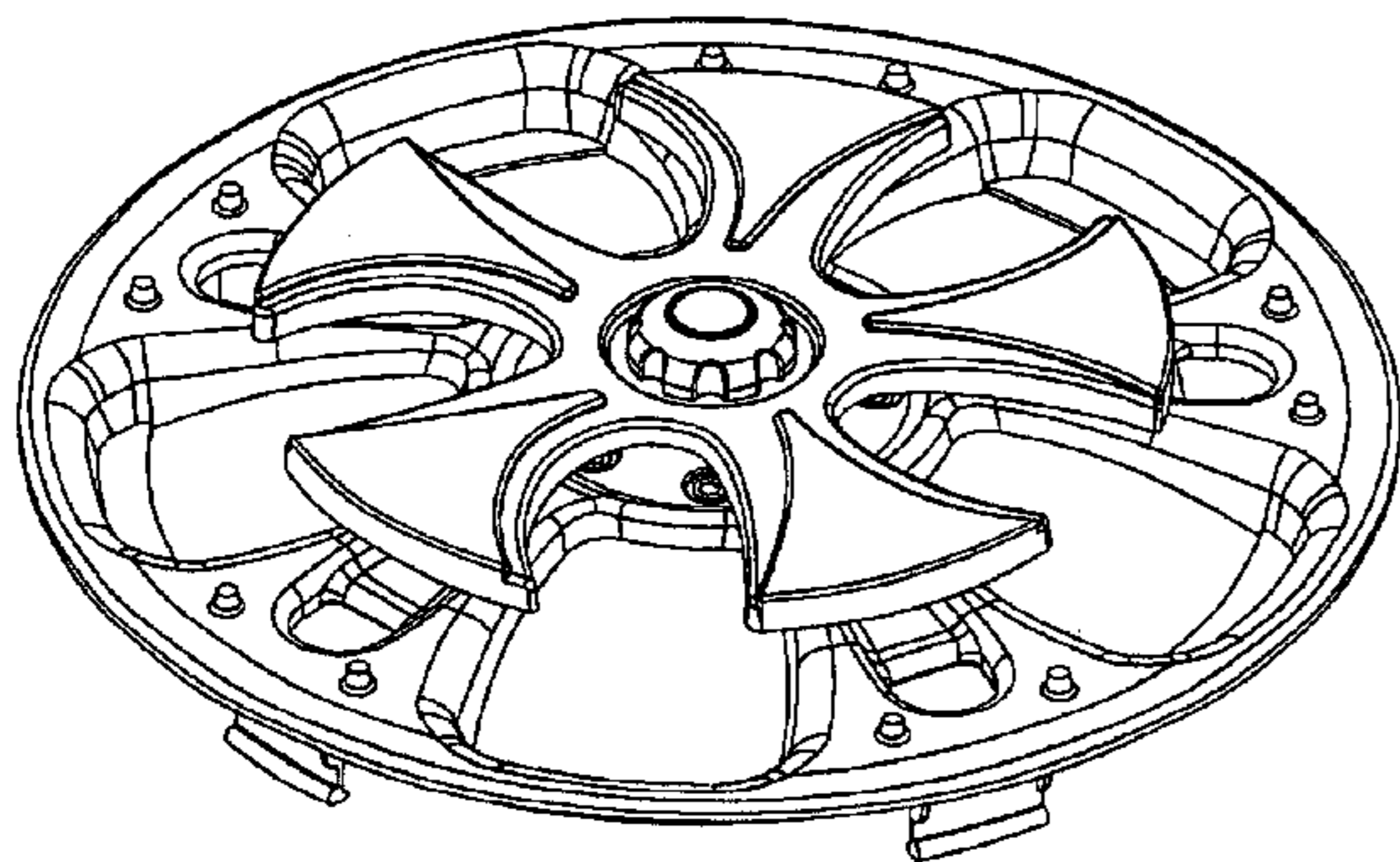
FIG. 3 is a rear elevational view thereof;

FIG. 4 is a left side elevational view thereof;

FIG. 5 is a right side elevational view thereof; and,

FIG. 6 is a top plan view thereof.

**1 Claim, 4 Drawing Sheets**



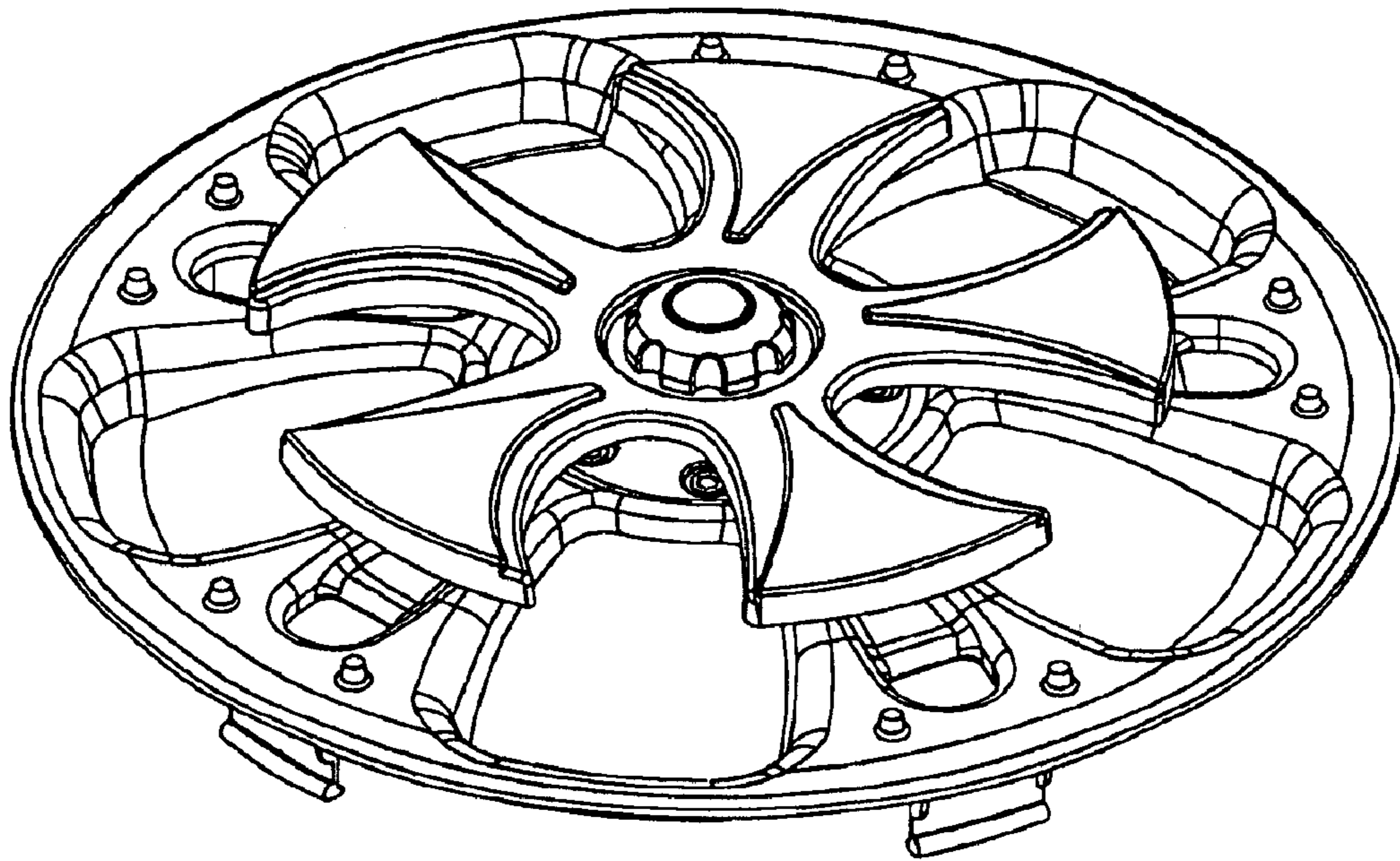


FIG. 1

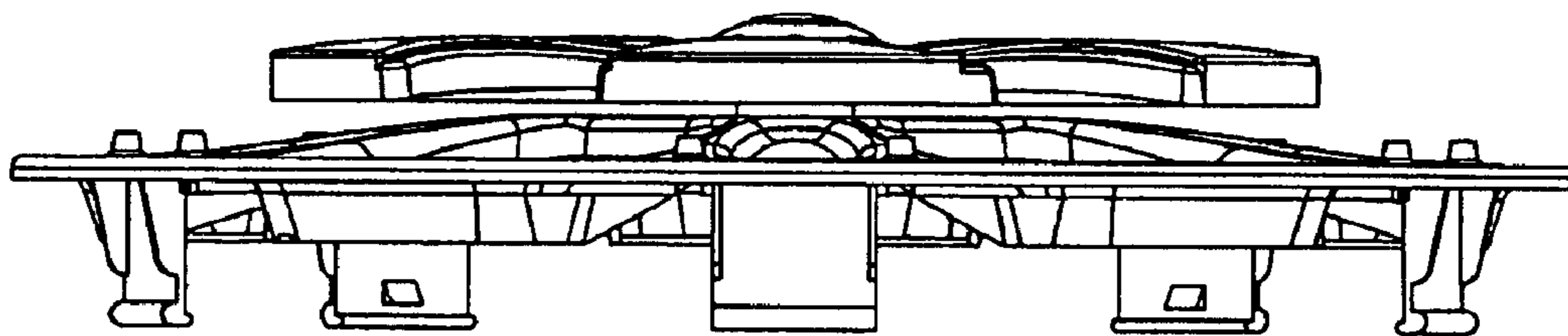


FIG. 2

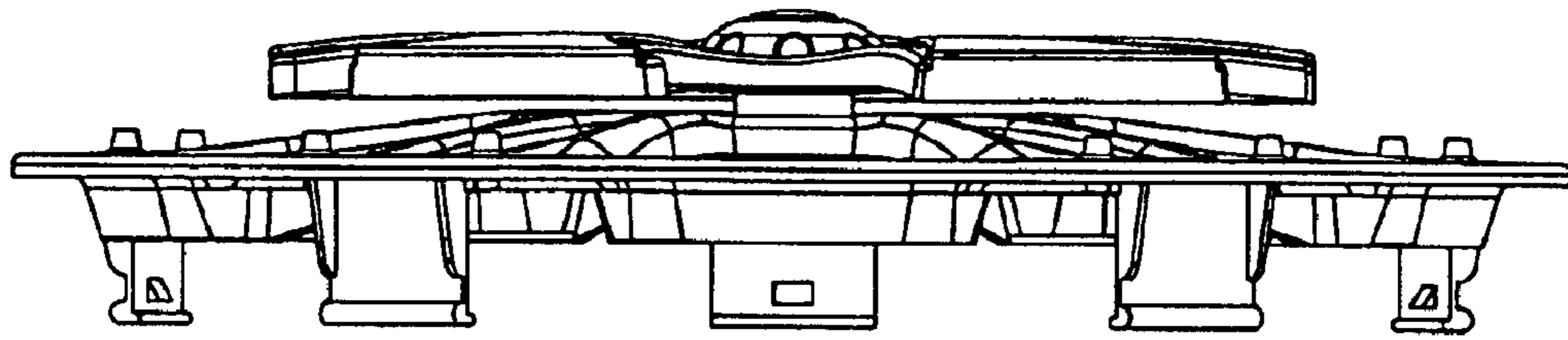


FIG. 3

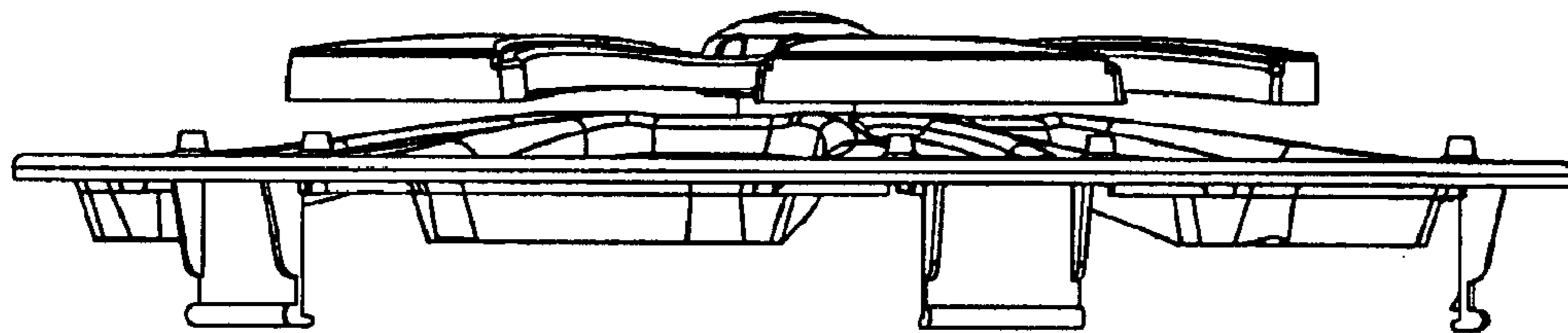


FIG. 4

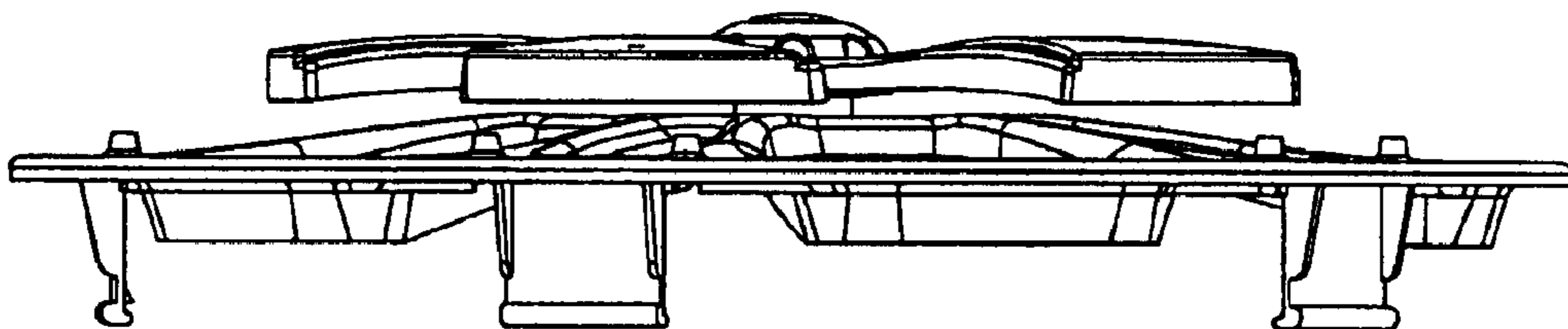


FIG. 5



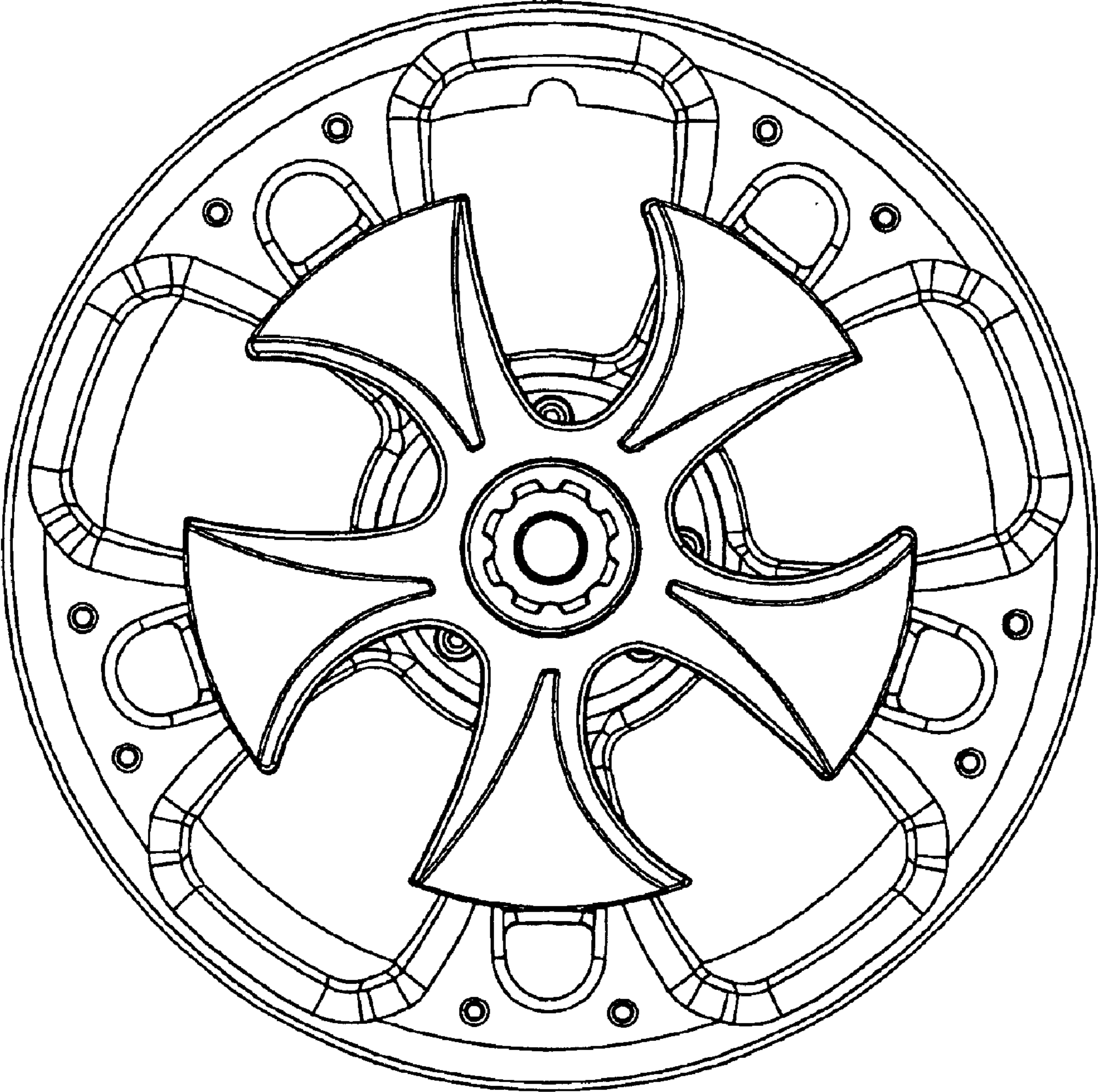


FIG. 6

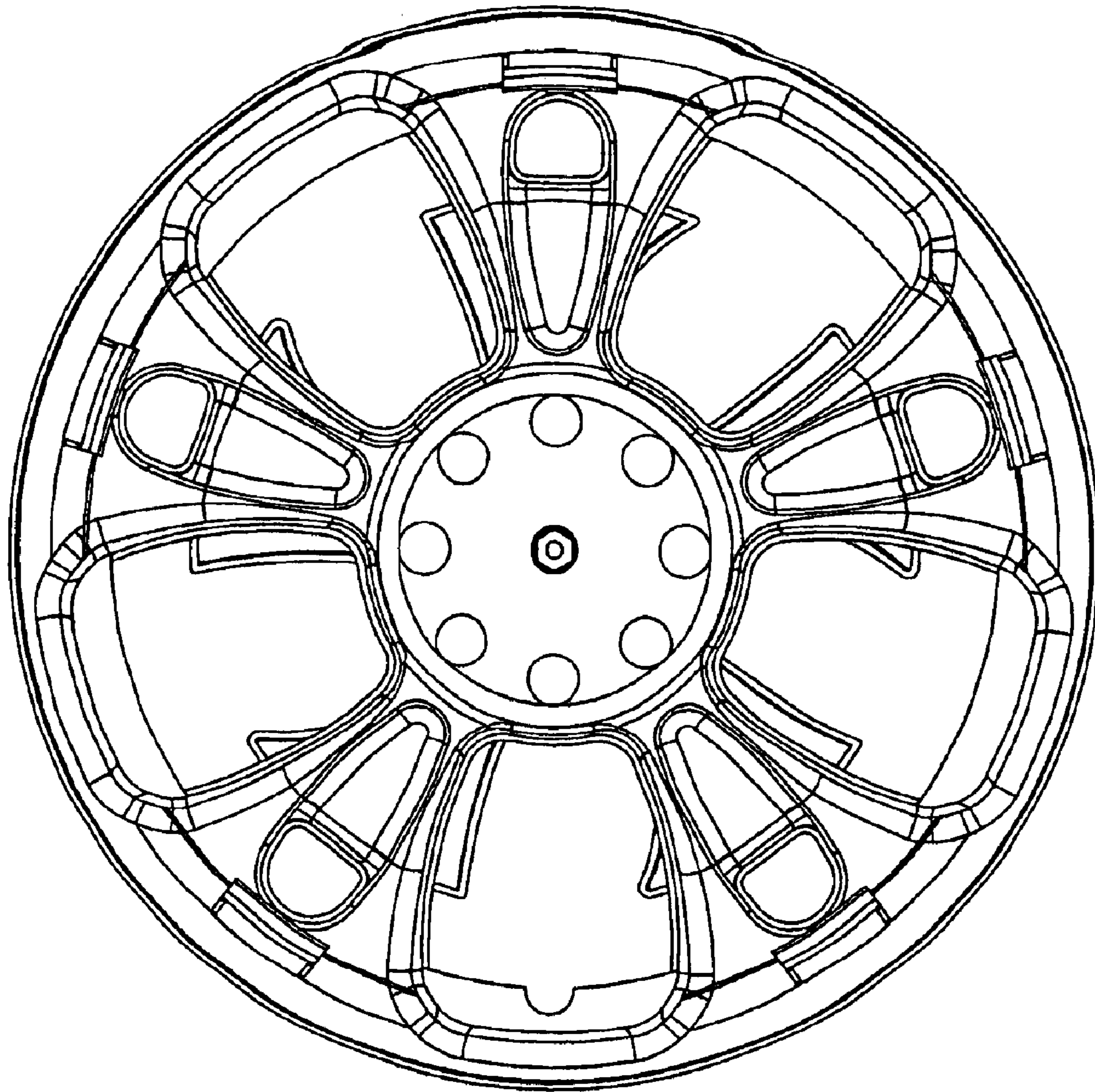


FIG. 7