

US00D501430S

(12) **United States Design Patent**  
**Cox, II et al.**

(10) **Patent No.:** **US D501,430 S**  
(45) **Date of Patent:** **\*\* Feb. 1, 2005**

(54) **TRAILER BODY**

D411,144 S \* 6/1999 Hamers ..... D12/102  
D443,561 S \* 6/2001 Voogt ..... D12/102

(75) Inventors: **Leon A. Cox, II**, Knoxville, TN (US);  
**Brigham G. Samson**, Knoxville, TN (US)

\* cited by examiner

*Primary Examiner*—Melody N. Brown  
(74) *Attorney, Agent, or Firm*—Pitts & Brittan, PC

(73) Assignee: **Sport & Travel Trailers, LLC**,  
Knoxville, TN (US)

(57) **CLAIM**

(\*\*) Term: **14 Years**

The ornamental design for a trailer body, as shown and described.

(21) Appl. No.: **29/192,670**

**DESCRIPTION**

(22) Filed: **Oct. 28, 2003**

(51) **LOC (7) Cl.** ..... **12-10**

(52) **U.S. Cl.** ..... **D12/102**

(58) **Field of Search** ..... D12/102, 101;  
280/475, 656, 763.1, 482; 296/181, 190

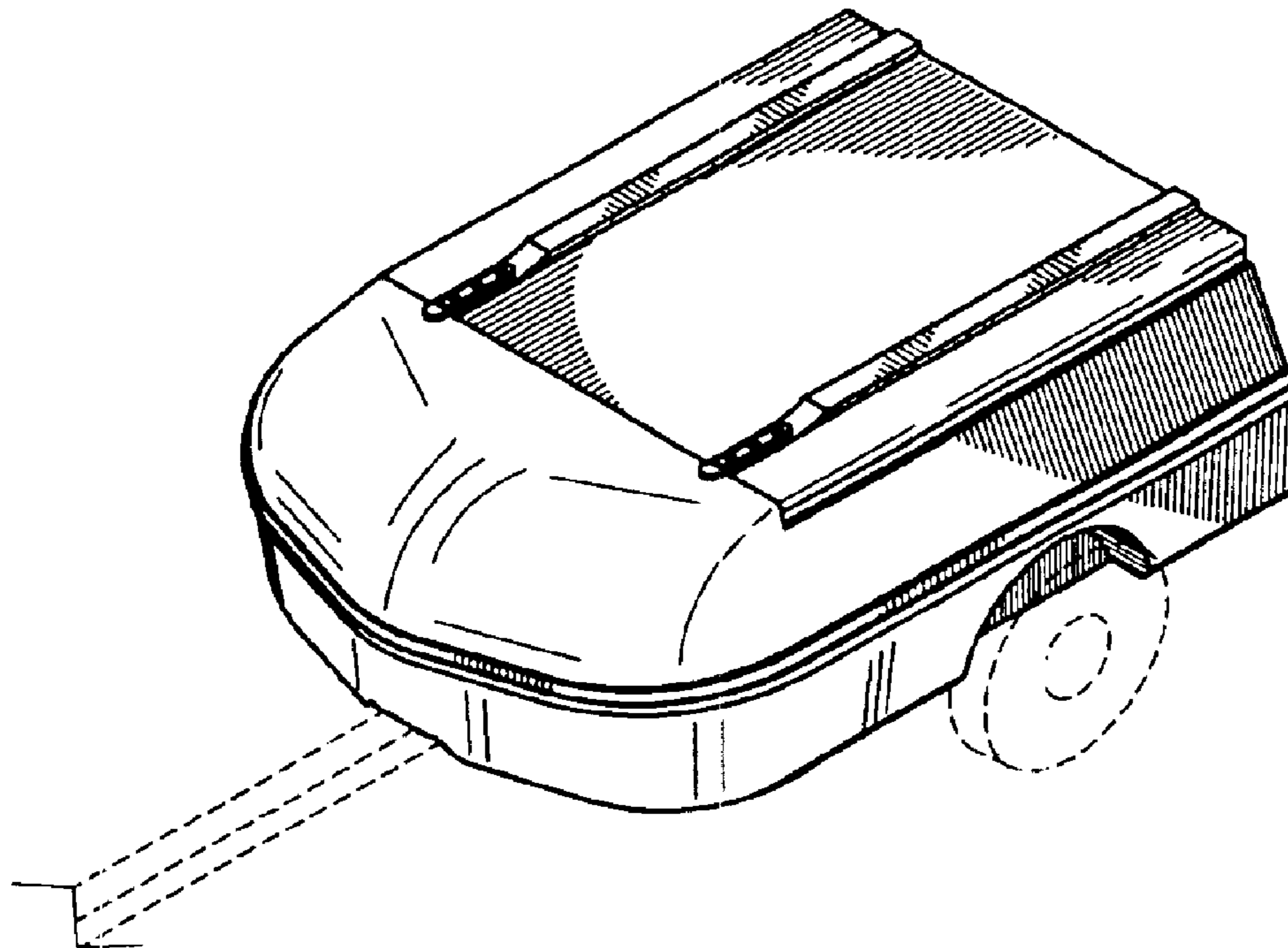
FIG. 1 is a perspective view of a trailer body of the present invention;  
FIG. 2 is a front elevation view thereof, the rear elevation view being a mirror image thereof;  
FIG. 3 is a left side elevation view thereof, the right side elevation view being a mirror image thereof;  
FIG. 4 is a top plan view thereof; and,  
FIG. 5 is a bottom plan view thereof.  
The broken lines shown in FIGS. 1 and 2 are for illustrative purposes only and form no part of the claimed design.

(56) **References Cited**

**U.S. PATENT DOCUMENTS**

D268,101 S \* 3/1983 Pope et al. .... D12/102  
D272,525 S \* 2/1984 Paulina ..... D12/102  
D326,629 S \* 6/1992 Holler et al. .... D12/102

**1 Claim, 3 Drawing Sheets**



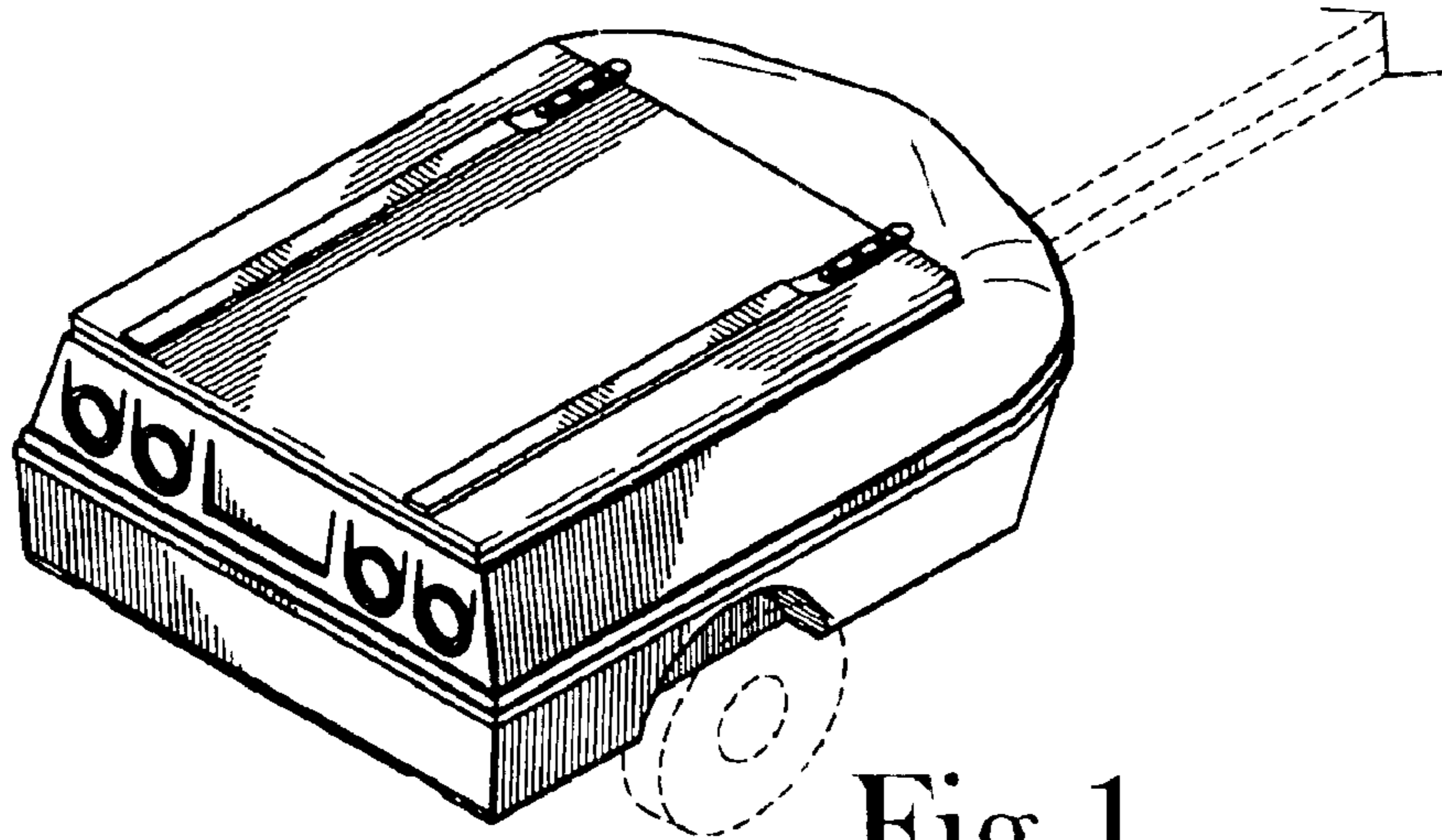


Fig. 1

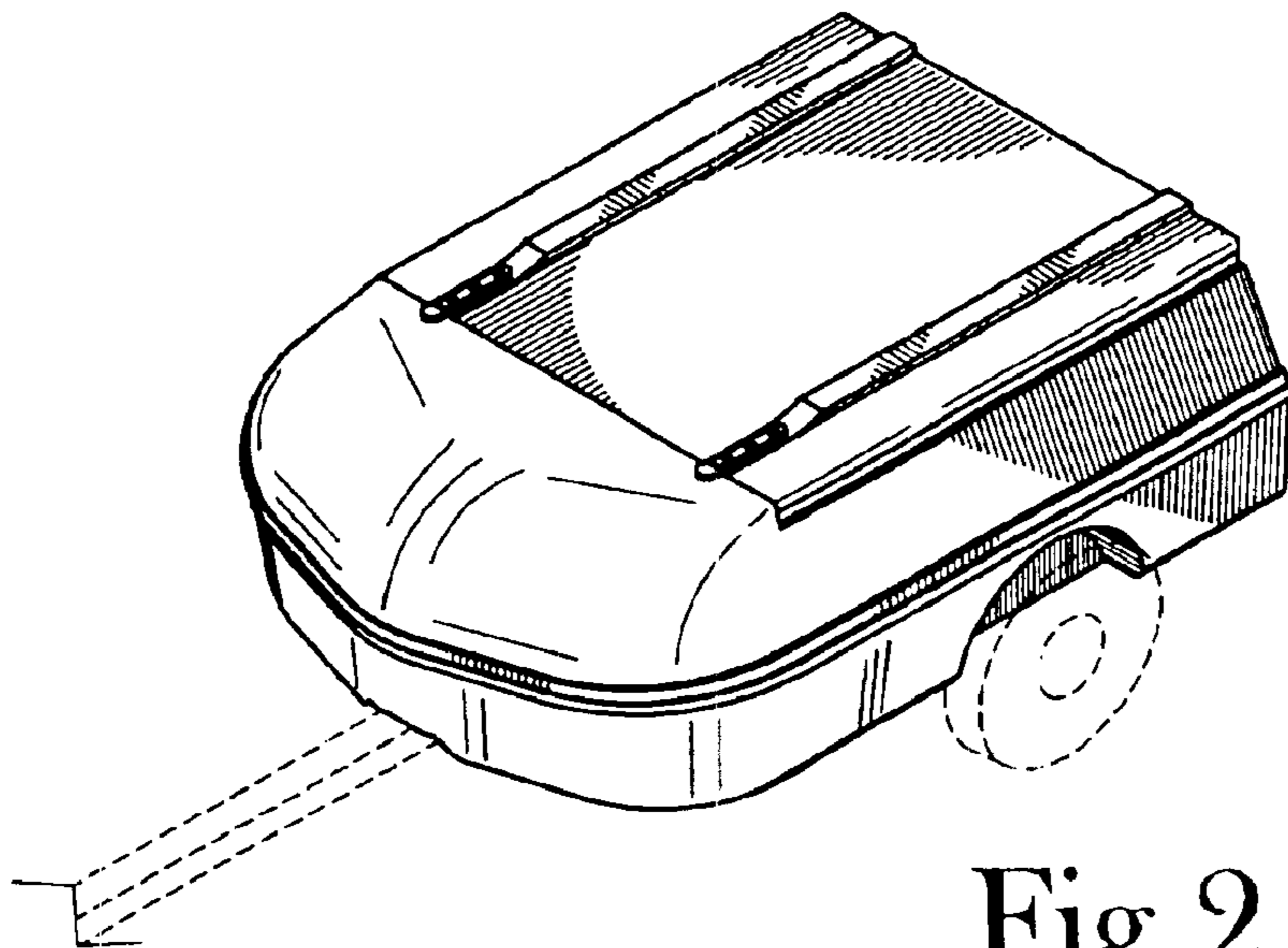


Fig. 2

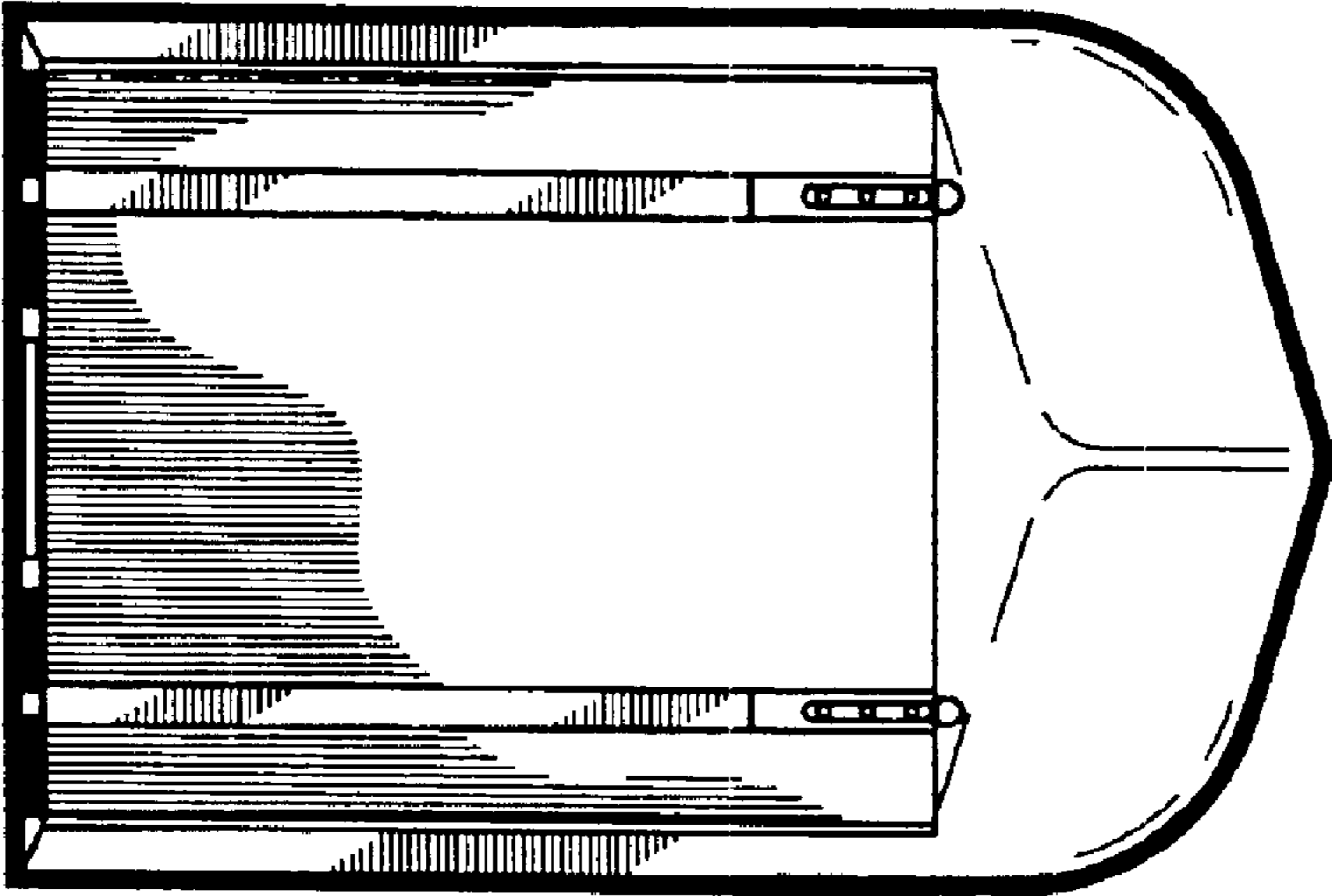


Fig. 3

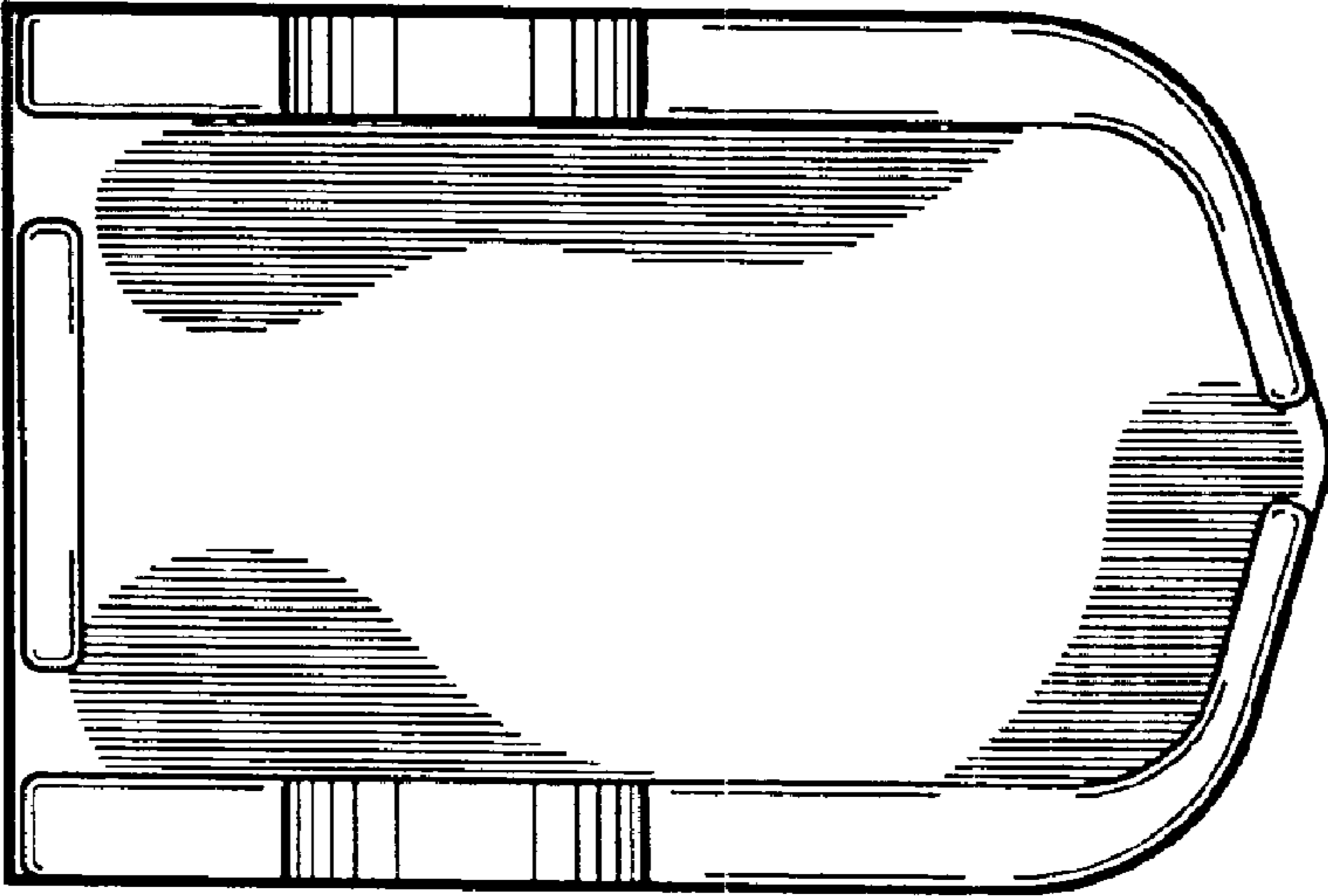


Fig. 4

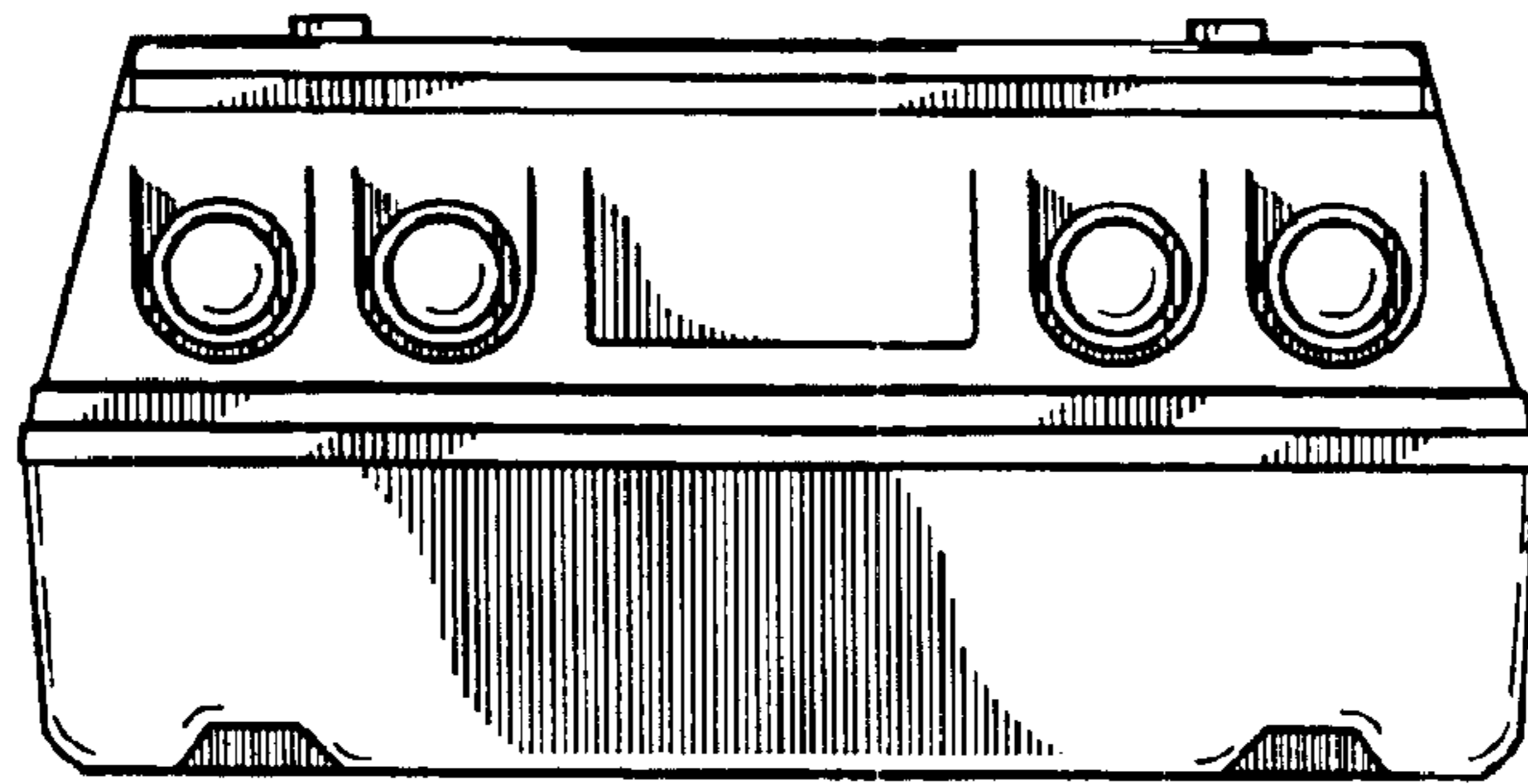


Fig.5

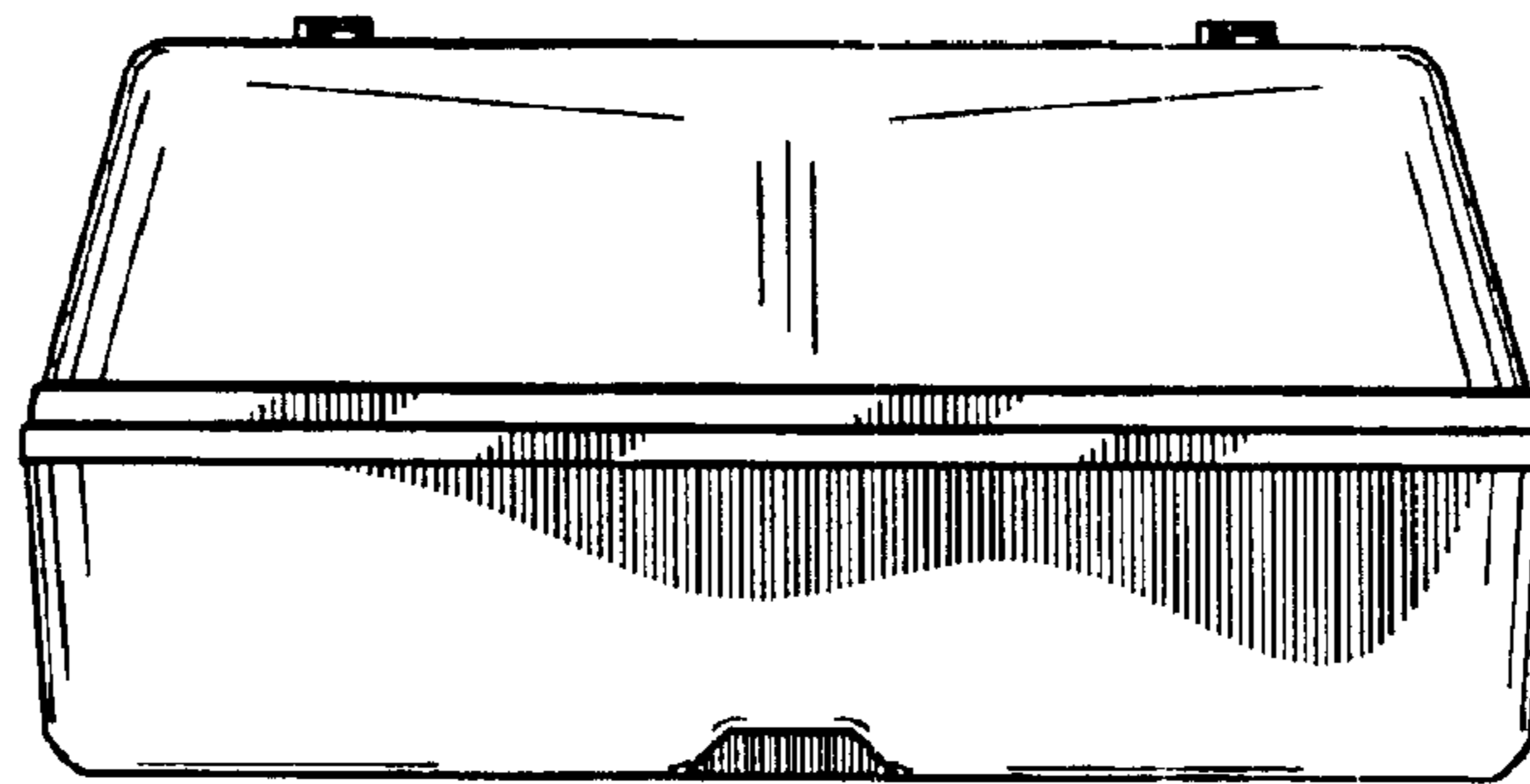


Fig.6

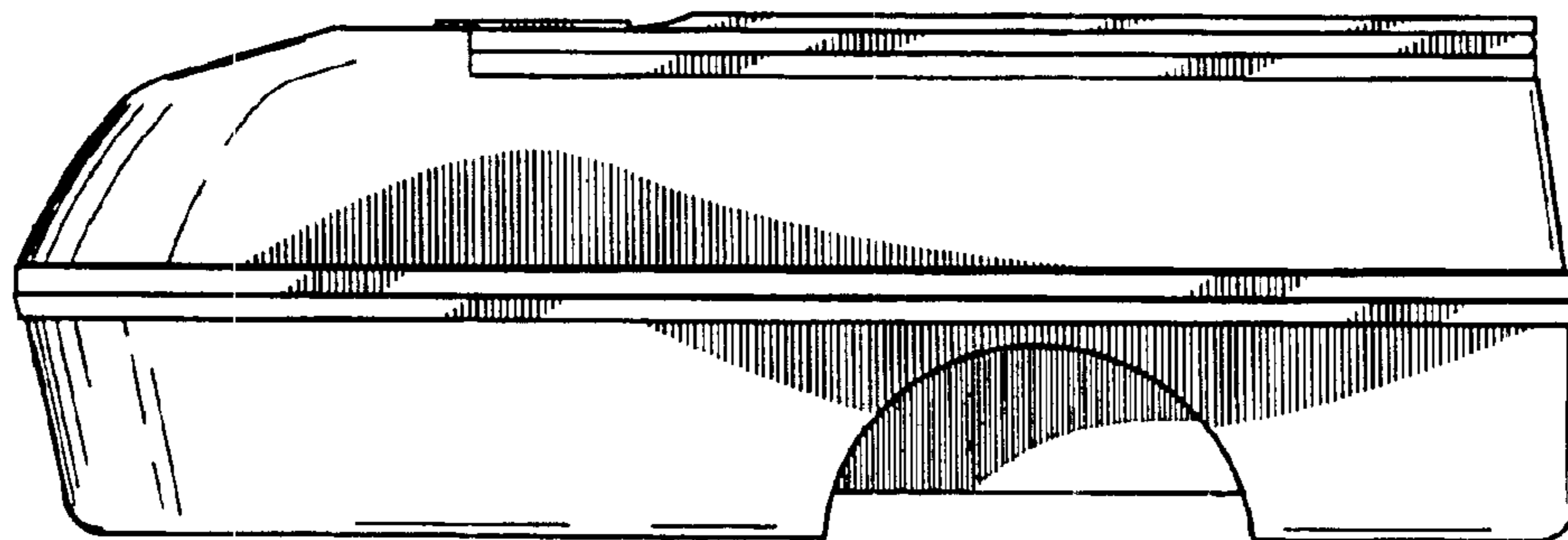


Fig 7