

US00D501424S

(12) **United States Design Patent**  
**Chia et al.**

(10) **Patent No.: US D501,424 S**  
(45) **Date of Patent: \*\* Feb. 1, 2005**

(54) **JEWELRY COMPONENT**

**DESCRIPTION**

(76) Inventors: **Meang Chia**, 412 W. 16th St., Suite 1104, Los Angeles, CA (US) 90014;  
**Cheo Chia**, 412 W. 16th St., Suite 1104, Los Angeles, CA (US) 90014;  
**Huy Kim Chia**, 412 W. 16th St., Suite 1104, Los Angeles, CA (US) 90014

(\*\*) Term: **14 Years**

(21) Appl. No.: **29/127,622**

(22) Filed: **Aug. 8, 2000**

**Related U.S. Application Data**

(63) Continuation-in-part of application No. 29/110,327, filed on Sep. 3, 1999, now Pat. No. Des. 471,129, which is a continuation-in-part of application No. 29/098,058, filed on Dec. 21, 1998, now Pat. No. Des. 418,445.

(51) **LOC (7) Cl. .... 11-01**

(52) **U.S. Cl. .... D11/93**

(58) **Field of Search .... D11/1-26, 35, D11/40, 48, 54, 76, 89-94; 63/1.11, 2, 4, 15, 26-27, 32**

(56) **References Cited**

**U.S. PATENT DOCUMENTS**

D12,579 S 11/1881 Reynolds

(List continued on next page.)

**FOREIGN PATENT DOCUMENTS**

CH 238894 8/1945

(List continued on next page.)

**OTHER PUBLICATIONS**

“Charms” catalog, p. 136, Item #136-20, by Americas GOLD, 650 South Hill St., Los Angeles, CA 90014.

(List continued on next page.)

*Primary Examiner*—Ralf Seifert

(74) *Attorney, Agent, or Firm*—Ladas & Parry LLP

(57) **CLAIM**

The ornamental design for a jewelry component, as shown and described.

Reference is made to applicants: application No. 09/224,936 filed Dec. 31, 1998 entitled “Decorative Jewelry Article”; application No. 09/383,814, filed Aug. 26, 1999 entitled “Decorative Jewelry Item”; U.S. Design application No. 29/116,859 filed Jan. 11, 2000, entitled “Jewelry Component”; and U.S. Document Disclosure Certificate No. 459913, recorded Jul. 30, 1999.

FIG. 1 is a perspective view of a first embodiment of a jewelry component showing our new design;

FIG. 2 is a top plan view of the first embodiment;

FIG. 3 is an enlarged partial cross sectional view taken along the line 9—9 in FIGS. 2, 5, 7, and 9 to show only the feature of the sloping top;

FIG. 4 is a perspective view of a second embodiment of a jewelry component showing our new design;

FIG. 5 is a top plan view of the second embodiment;

FIG. 6 is a perspective view of a third embodiment of a jewelry component showing our new design;

FIG. 7 is a top plan view of the third embodiment;

FIG. 8 is a perspective view of a fourth embodiment of a jewelry component showing our new design;

FIG. 9 is a top plan view of the fourth embodiment;

FIG. 10 is a perspective view of a fifth embodiment of a jewelry component showing our new design;

FIG. 11 is a top plan view of the fifth embodiment;

FIG. 12 is a perspective view of an a sixth embodiment of a jewelry component showing our new design;

FIG. 13 is a top plan view of the sixth embodiment;

FIG. 14 is a perspective view of a a seventh embodiment of a jewelry component showing our new design;

FIG. 15 is a top plan view of the seventh embodiment.

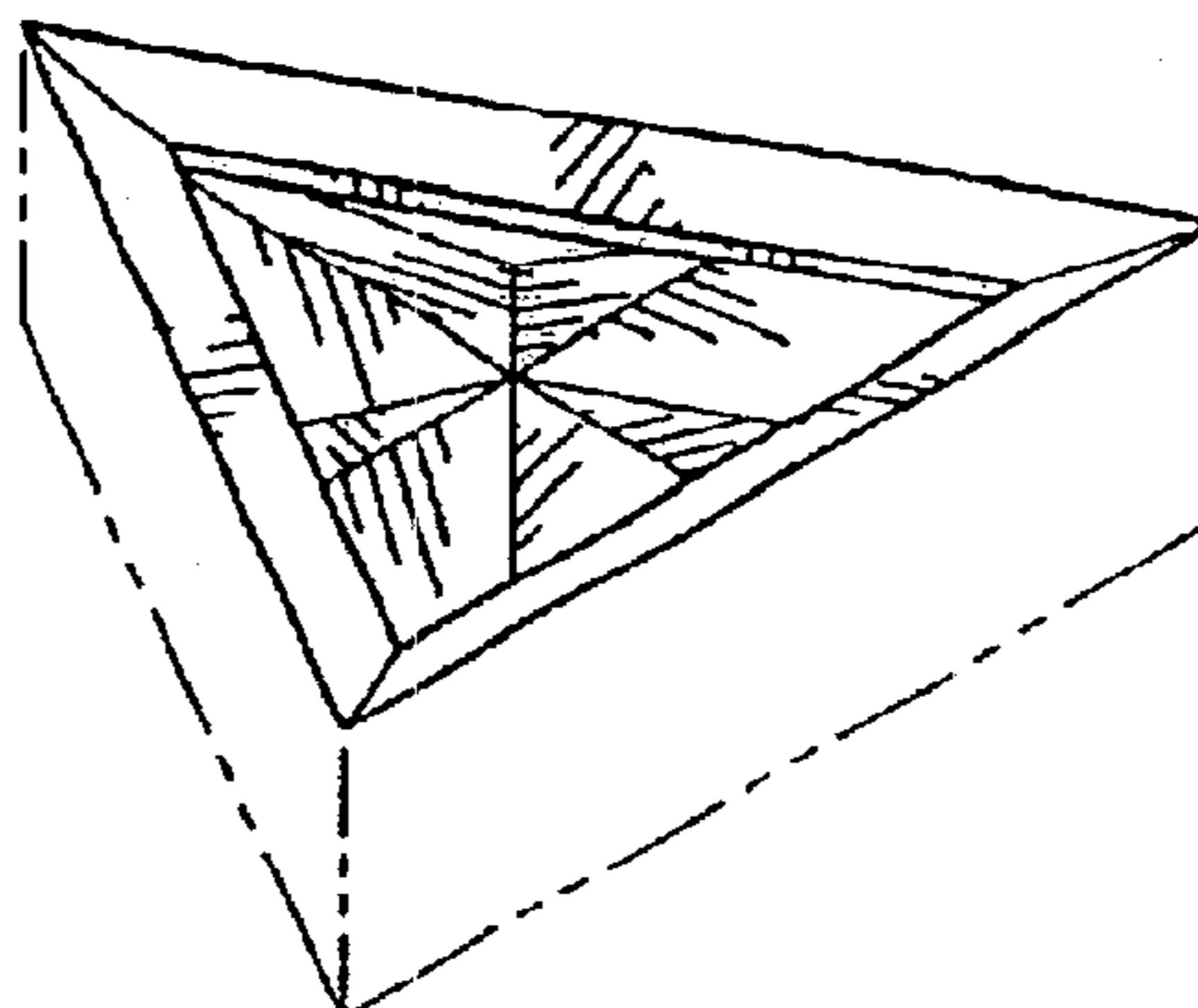
FIG. 16 is a perspective view of an eighth embodiment of a jewelry component showing our new design; and

FIG. 17 is a top plan view of the eighth embodiment;

FIG. 18 is a perspective view of the ninth embodiment of a jewelry component showing our new design; and,

FIG. 19 is perspective view of the tenth embodiment of a jewelry component showing our new design.

**1 Claim, 3 Drawing Sheets**



# US D501,424 S

## U.S. PATENT DOCUMENTS

D14,818 S 2/1884 Merrill  
 439,139 A 10/1890 Gaynor  
 569,495 A 10/1896 Gunther  
 572,237 A 12/1896 Adams  
 D32,439 S 4/1900 Gay  
 D32,649 S 5/1900 McCutchen et al.  
 775,030 A \* 11/1904 Fairbrother, Jr. .... D11/91  
 795,109 A 7/1905 Dover  
 813,084 A 2/1906 Dover  
 829,388 A \* 8/1906 Doran ..... 63/26  
 851,078 A 4/1907 Dunn  
 1,001,583 A 8/1911 Fairbrother  
 1,024,048 A 4/1912 Abel  
 D42,514 S 5/1912 Meyers  
 D42,643 S 6/1912 Meyers  
 1,153,362 A 9/1915 Wacha  
 D48,950 S 4/1916 Rosenberger  
 1,189,497 A 7/1916 Schwartzman  
 1,344,365 A 6/1920 Wachenheimer  
 D55,597 S 7/1920 Felger  
 D56,605 S 11/1920 Grasmuk  
 D56,607 S 11/1920 Grasmuk  
 1,410,366 A 3/1922 Buchman  
 1,433,521 A 10/1922 Albanese  
 1,443,654 A 1/1923 Schmidt  
 1,467,468 A 9/1923 Blanchard  
 1,556,465 A 10/1925 Wendel  
 1,570,776 A 1/1926 Peters  
 1,570,932 A 1/1926 Anderson et al.  
 1,589,423 A 6/1926 Payton  
 D70,779 S 8/1926 Speidel  
 D76,664 S 10/1928 Chase  
 D77,434 S 1/1929 Rice  
 1,701,610 A 2/1929 Forstner  
 1,710,660 A 4/1929 Guyot  
 D84,213 S 5/1931 Speidel  
 1,842,427 A 1/1932 SamMartino  
 1,854,958 A 4/1932 Santosuosso  
 1,892,738 A 1/1933 Schnarr  
 1,981,696 A 11/1934 Harper ..... 41/10  
 D110,568 S 7/1938 Garfinkel  
 D117,577 S 11/1939 Sand  
 D119,286 S 3/1940 Somers  
 2,273,227 A 2/1942 Simmons ..... 63/26  
 D131,750 S 3/1942 Hobe  
 D131,847 S 3/1942 Hobe  
 D143,583 S 1/1946 Feingold ..... D3/4  
 D143,588 S 1/1946 Grun ..... D45/4  
 D143,750 S 2/1946 Philippe ..... D45/9  
 D144,901 S 6/1946 Braunstein ..... D45/4  
 D145,426 S 8/1946 Braunstein ..... D45/4  
 D146,779 S 5/1947 Slater ..... D45/4  
 D151,904 S 11/1948 Katz ..... D45/4  
 D155,873 S 11/1949 Chernow ..... D45/16  
 D156,650 S 12/1949 Pearce et al. .... D45/4  
 D156,744 S 1/1950 Kent ..... D42/8  
 D159,528 S 8/1950 Philippe ..... D45/19  
 D159,582 S 8/1950 Boucher  
 D160,241 S 9/1950 Bardach ..... D45/16  
 2,526,134 A 10/1950 Henry ..... 63/32  
 2,538,090 A 1/1951 Ferragamo ..... 63/4  
 D165,468 S 12/1951 Katz ..... D45/19  
 2,584,207 A 2/1952 Holl ..... 63/27  
 2,634,593 A 4/1953 Moretti ..... 63/4  
 D176,664 S 1/1956 Katz ..... D45/16  
 2,775,093 A 12/1956 Kundert  
 2,852,923 A 9/1958 Gamelsky ..... 63/20  
 D184,930 S 4/1959 Gonicberg ..... D45/4  
 D186,903 S 12/1959 Hess ..... D45/4  
 3,025,820 A 3/1962 Rosenthal ..... 113/116

D202,723 S 11/1965 Gaston ..... D45/4  
 3,483,716 A 12/1969 Stenzler  
 D217,880 S 6/1970 Cowan  
 3,670,524 A 6/1972 Korwin ..... 63/18  
 4,154,282 A 5/1979 Kull ..... 164/9  
 4,165,574 A 8/1979 Sciotti ..... 40/21 R  
 D257,017 S 9/1980 Barr ..... D11/16  
 D265,639 S 8/1982 Barr ..... D11/17  
 D266,954 S 11/1982 Gordan ..... D26/24  
 4,399,910 A 8/1983 Gutentag ..... 206/0.82  
 4,488,415 A 12/1984 Jenkins  
 D277,466 S 2/1985 Chien ..... D11/41  
 4,551,993 A 11/1985 Nagahori ..... 63/31  
 4,566,294 A 1/1986 Brzozowski ..... 63/15  
 4,763,489 A 8/1988 Strong ..... 63/4  
 4,781,038 A 11/1988 Branca et al. .... 63/26  
 D314,528 S 2/1991 Chia et al. .... D11/93  
 D314,730 S 2/1991 Chia et al. .... D11/93  
 D314,929 S 2/1991 Chia et al. .... D11/6  
 D317,139 S 5/1991 Chia et al. .... D11/93  
 D317,423 S 6/1991 Chia et al. .... D11/93  
 D319,033 S 8/1991 Chia et al. .... D11/93  
 5,056,337 A 10/1991 Nhaissi ..... 63/26  
 D322,043 S 12/1991 Chia et al. .... D11/93  
 D325,180 S 4/1992 Chia et al. .... D11/93  
 D325,709 S 4/1992 Chia et al. .... D11/93  
 D325,710 S 4/1992 Chia et al. .... D11/93  
 D325,711 S 4/1992 Chia et al. .... D11/93  
 D325,886 S 5/1992 Chia et al. .... D11/93  
 D329,026 S 9/1992 Chia et al. .... D11/93  
 D329,206 S 9/1992 Chia et al. .... D11/93  
 D329,401 S 9/1992 Chia et al. .... D11/93  
 D331,726 S 12/1992 Chia et al. .... D11/93  
 D335,639 S 5/1993 Chia et al. .... D11/93  
 D336,057 S 6/1993 Chia et al. .... D11/93  
 D336,059 S 6/1993 Chia et al. .... D11/93  
 D336,060 S 6/1993 Chia et al. .... D11/93  
 D337,069 S 7/1993 Chia et al. .... D11/93  
 D337,070 S 7/1993 Chia et al. .... D11/93  
 D337,283 S 7/1993 Keshishian ..... D11/93  
 D337,546 S 7/1993 Keshishian ..... D11/93  
 D337,547 S 7/1993 Keshishian ..... D11/93  
 D338,852 S 8/1993 Keshishian ..... D11/93  
 5,355,698 A 10/1994 Edmark ..... 63/29.1  
 5,365,754 A 11/1994 Nalbandian ..... 63/26  
 5,375,554 A \* 12/1994 Yen ..... 116/63 C  
 D379,074 S 5/1997 Udko ..... D11/91  
 D388,016 S 12/1997 Kejejian ..... D11/91  
 5,694,791 A 12/1997 Esposito ..... 63/3  
 5,752,341 A \* 5/1998 Goldfarb ..... 47/78  
 5,806,345 A 9/1998 Bonchek  
 D406,247 S 3/1999 Chia et al. .... D11/93  
 5,992,177 A 11/1999 Beard  
 D418,445 S 1/2000 Chia et al. .... D11/93  
 D418,446 S 1/2000 Chia et al. .... D11/93  
 D423,397 S \* 4/2000 Raviv et al. .... D11/91  
 D423,981 S 5/2000 Chia et al. .... D11/93  
 6,116,054 A 9/2000 Czupor

## FOREIGN PATENT DOCUMENTS

EP 0 063 751 A1 11/1982 ..... A44C/3/00  
 FR 608150 7/1926 ..... 17/5  
 FR 709603 8/1931 ..... 17/5  
 FR 1 319 354 5/1963  
 GB 1 077 460 7/1967  
 GB 1 200 257 7/1970  
 GB 2 070 344 A 9/1981  
 GB 2 077 441 A 12/1981  
 WO 00/38551 7/2000 ..... A44C/17/02



OTHER PUBLICATIONS

“Liberty Collections” catalog, pp. 4 and 21, by Liberty I. Exchange, 333 Washington St., #203-1, Boston, MA 02108.  
 “Diamond Flower” jewelry by S & R Designs, Inc., Marlton NJ.  
 Items #P10529, #84622, National Jeweler, May 16, 1997.  
 Janet Alix necklace, Jewelers’ Circular Keystone, May 1997.  
 Catalog Item #4D, Skalet Gold, 3600 N. Talman Ave., Chicago, IL 60618.  
 Caroline Ballou Collection, Jun. Las Vegas Show, K25-K27, and Barnett Robinson, Inc., Jun. Las Vegas Show, Galleria #10.  
 Item N362, P.Q.C. Jewelry, National Jeweler, Jun. 1, 1998, p. 142.  
 “Love Tears” collection, by Studs, Inc., 42 West 48th Street, New York, NY 10036.  
 Slide Pendant, by Superior Diamond Cutters Inc., 589 Fifth Ave., New York, NY 10017.  
 Uni-Creation Inc., Emby International Inc. collection, 589 Fifth Ave., New York, NY 10017.  
 A Promotional Supplement to JCK, May 1997, pp. 178-179.  
 Item SS424, Corona Jewelry Company, 16 Ripley Ave., Toronto, Ontario, M6S 3N9, Canada.  
 “Bezel-set Jewelry,” California Gold Center, 606 South Hill Street, Los Angeles, CA 90014.

“Partners” fashion jewelry, Cache fashion watches, Mervyn’s California catalog flyer, 1998, p. 11.  
*Robinson’s May*, Earrings, Item No. 290131409, Purchased Apr. 18, 1999.  
*A&A Jewelry Tools & Findings Catalog*, p. G92.  
 The Multi-Color Gold Jewelry Book, Oro America, p. 1, Earring Items; ETR.014; ETR.022; ETLB.001.  
 Crafford Precision Products Co. Catalog “Laser Spot-Welding Systems,” One Industrial Court, Riverside, RI 02915.  
 Gervais, J. “A Little Light Welding”, *AJM*, May 1998.  
*Fancy Catalog*, Item Nos. 11111, 11112, 11114, p. 111.  
 Jaha Jewelry, Inc., Item Nos. J2-1, J3-15, J6-9, J6-13, J6-16, J10-1, J10-2, J13-19 (640 S. Hill St., #748, Los Angeles, CA 90014).  
 Maty, Collection Automne—Hiver 97-98, Valeur 30F, No. 76.  
 “Rio Grande: Gems & Findings”, Gold earrings: 14K yellow back-set French wire earrings Die Struck, Item “M”, p. 90. *All Karats International*; Edizioni, Primavera-Estate/Spring-Summer, Sixth Edition; “Diamond Necklace”; 2 pages including cover (1998).  
 Variety Gem Co., Inc.; *JCK Catalog 05-97*; Items N5526, N5520A, N5520B; one page (May 1997).  
 Wards, Gold Hoop (Earring) with Diamond Cut Ovals, Item #459312000; 4 pages.

\* cited by examiner

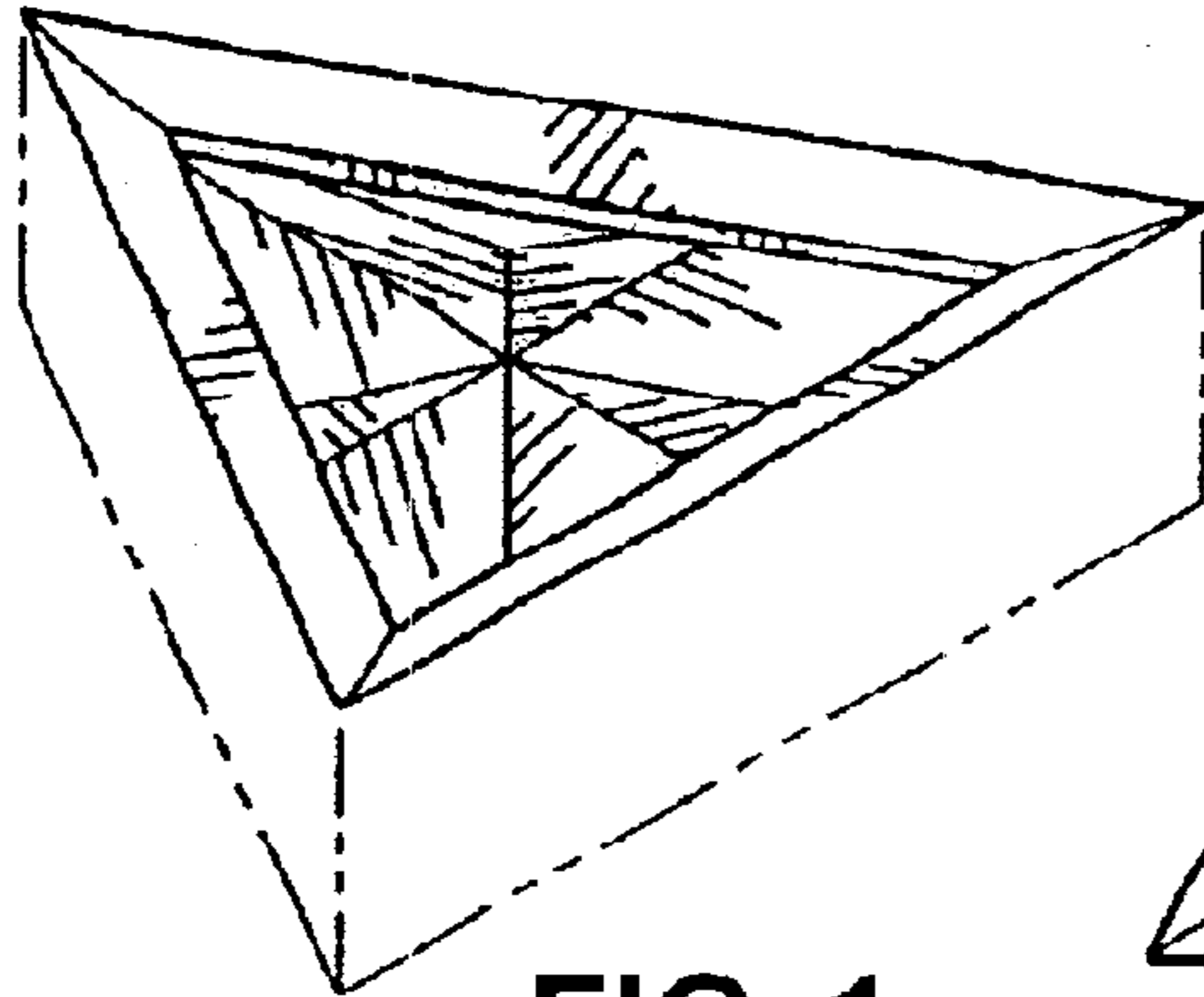


FIG. 1

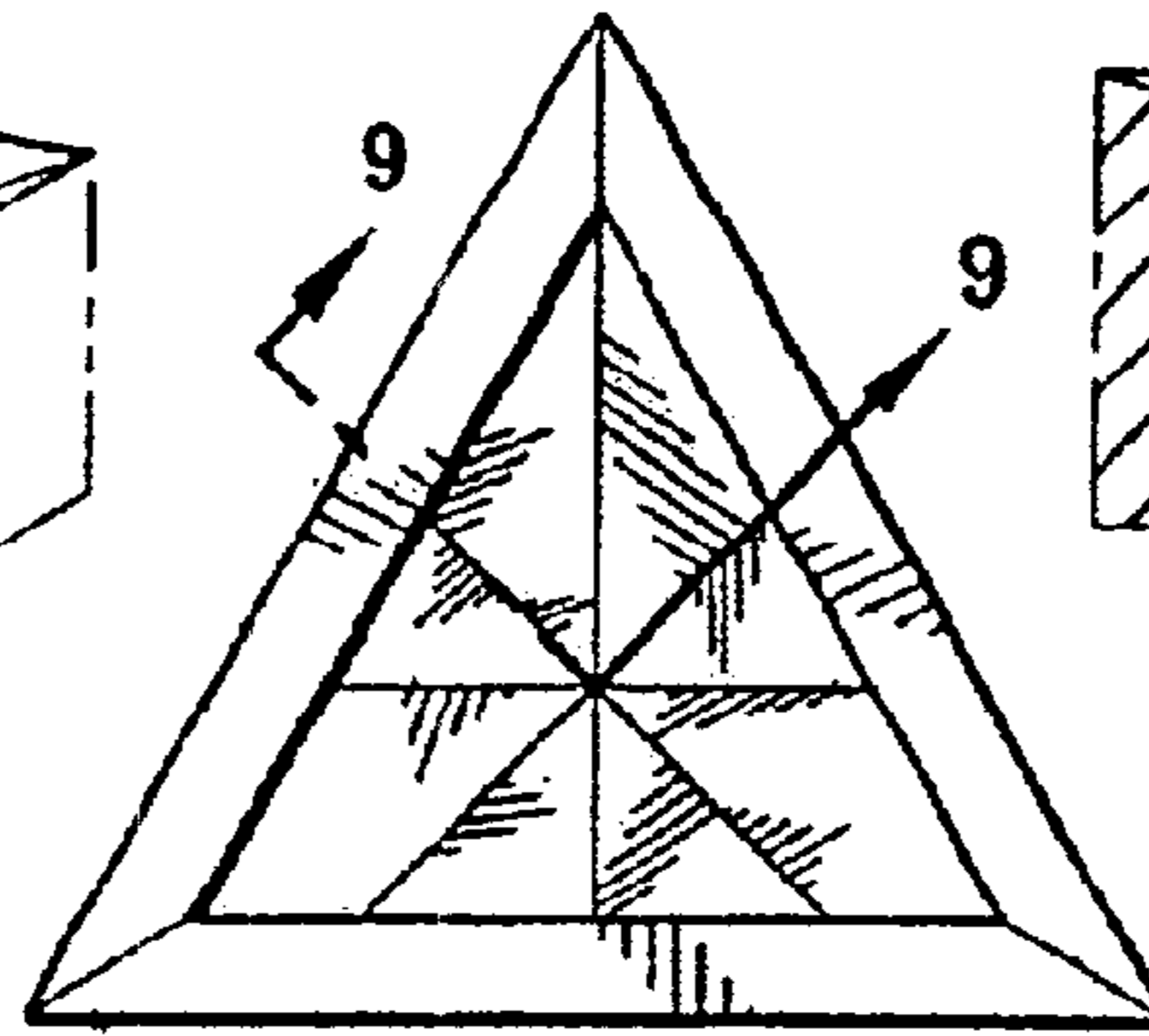


FIG. 2

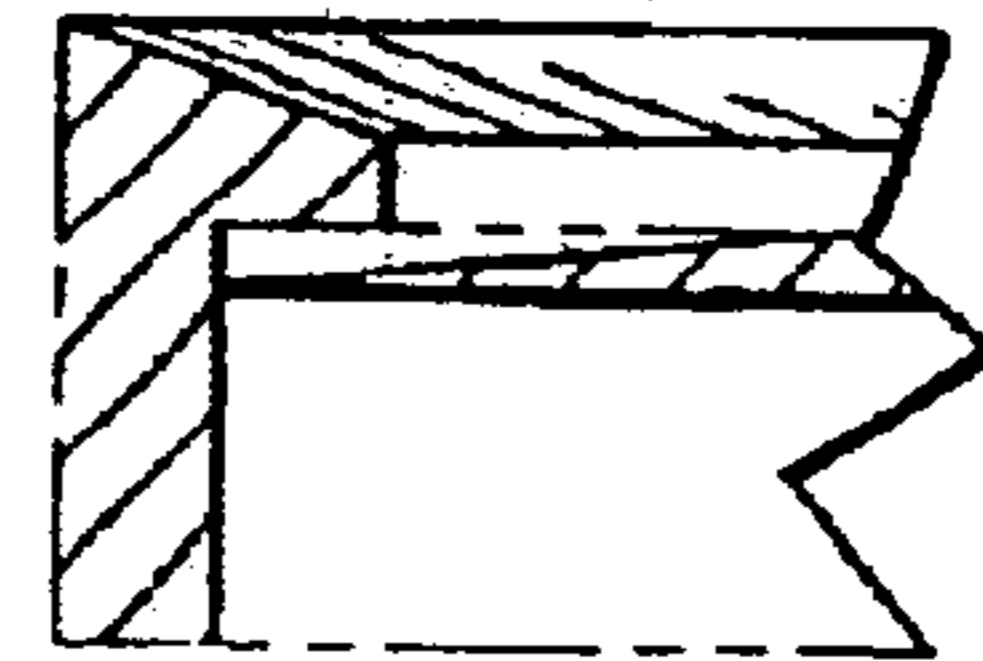


FIG. 3

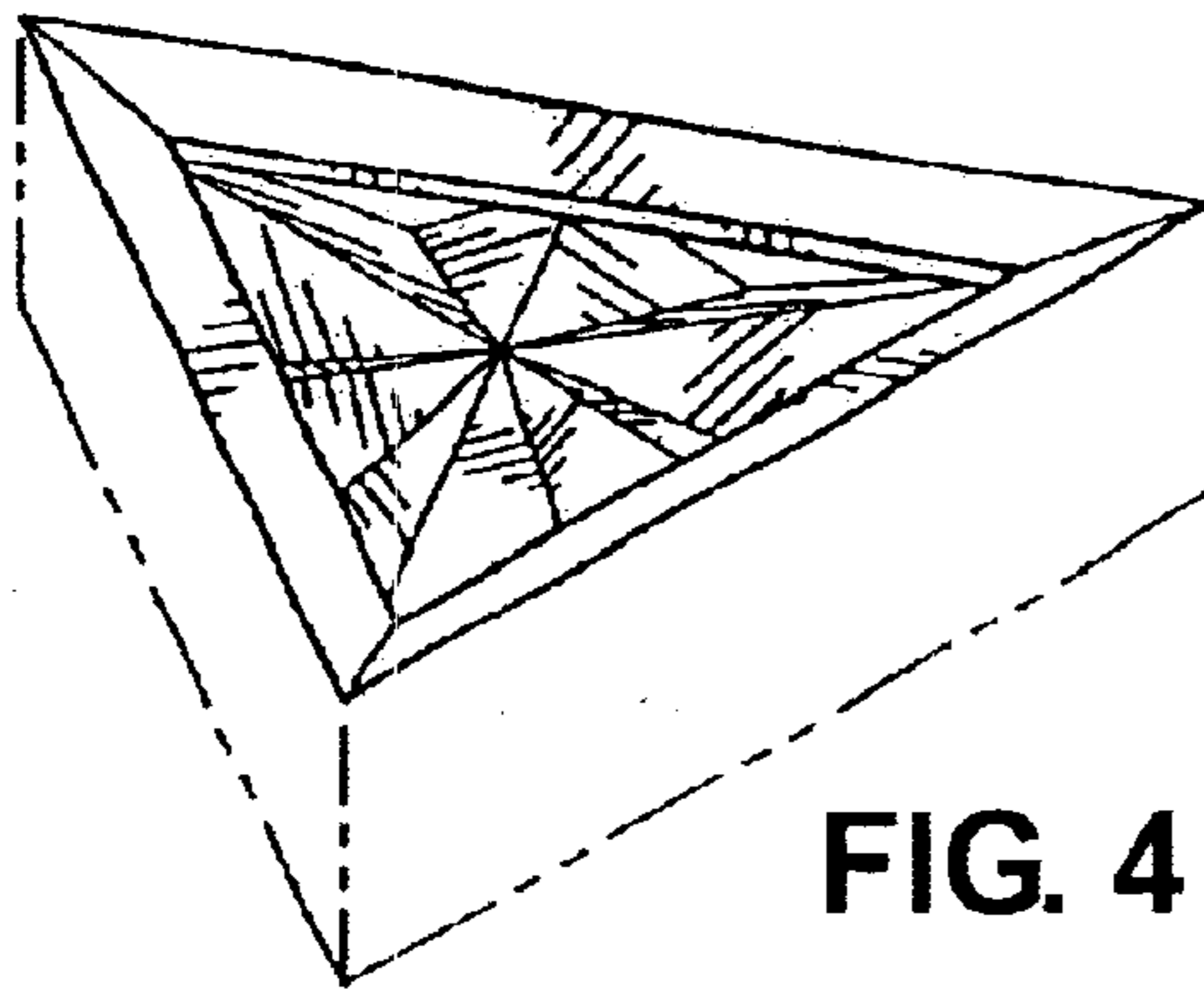


FIG. 4

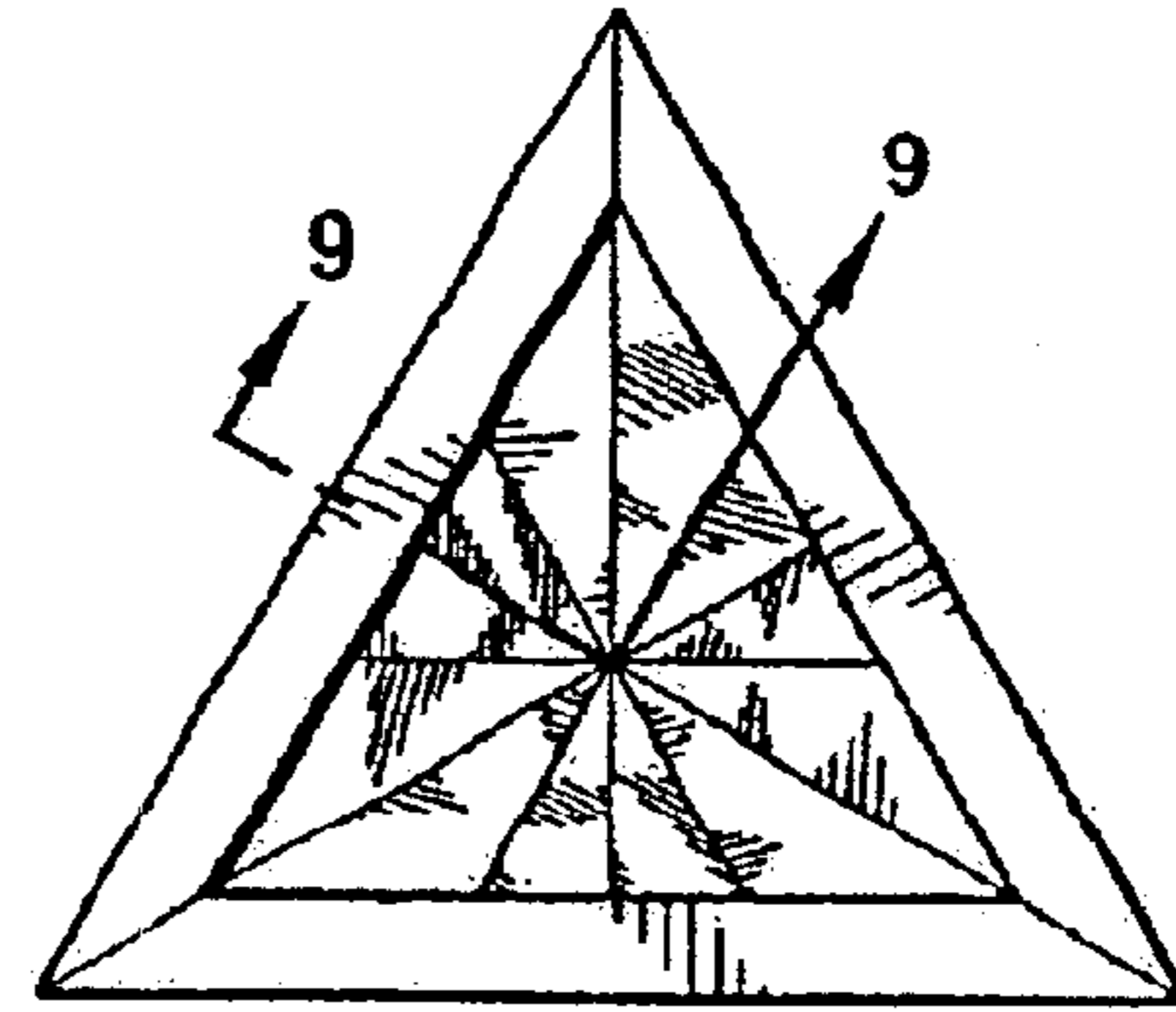


FIG. 5

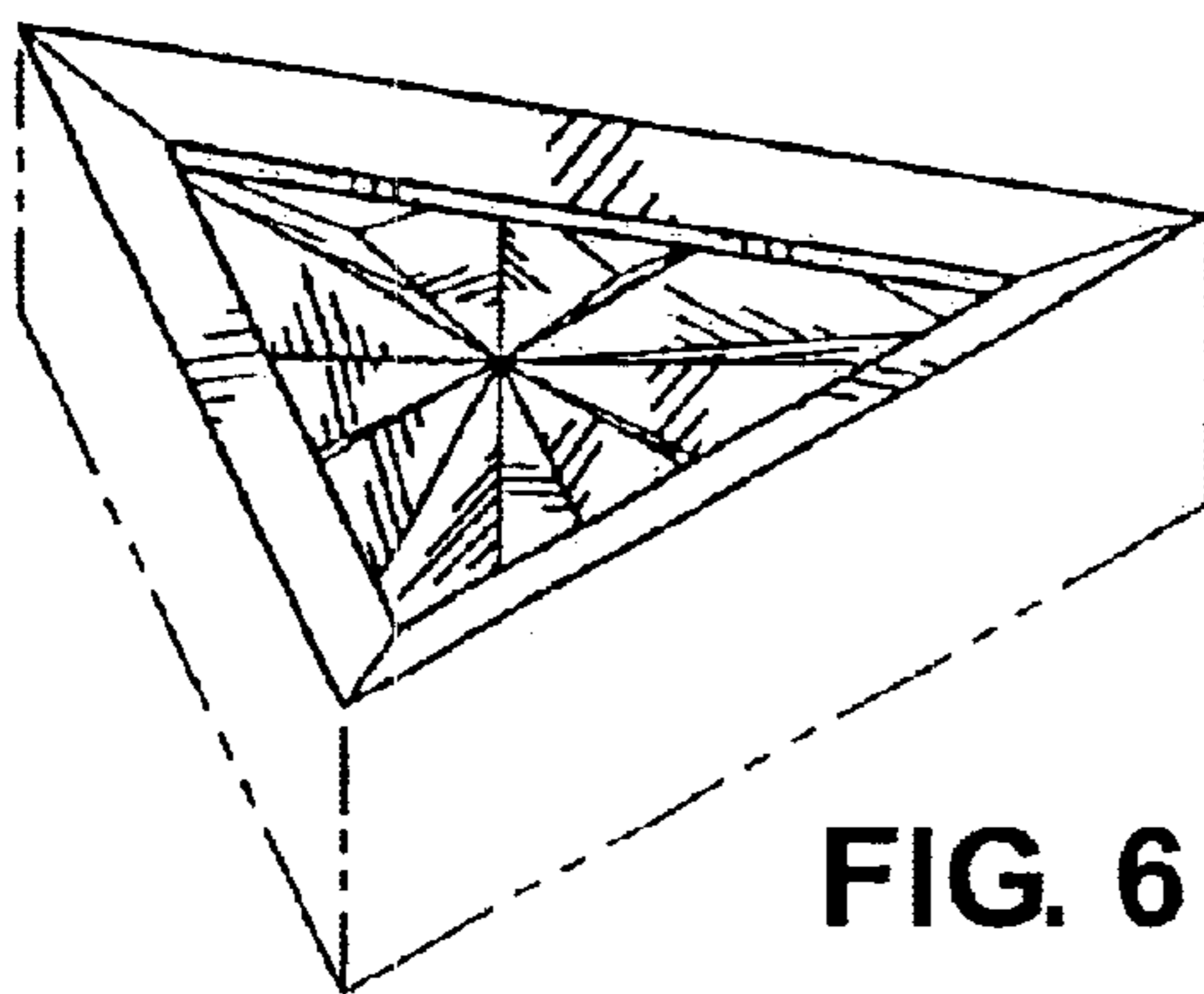


FIG. 6

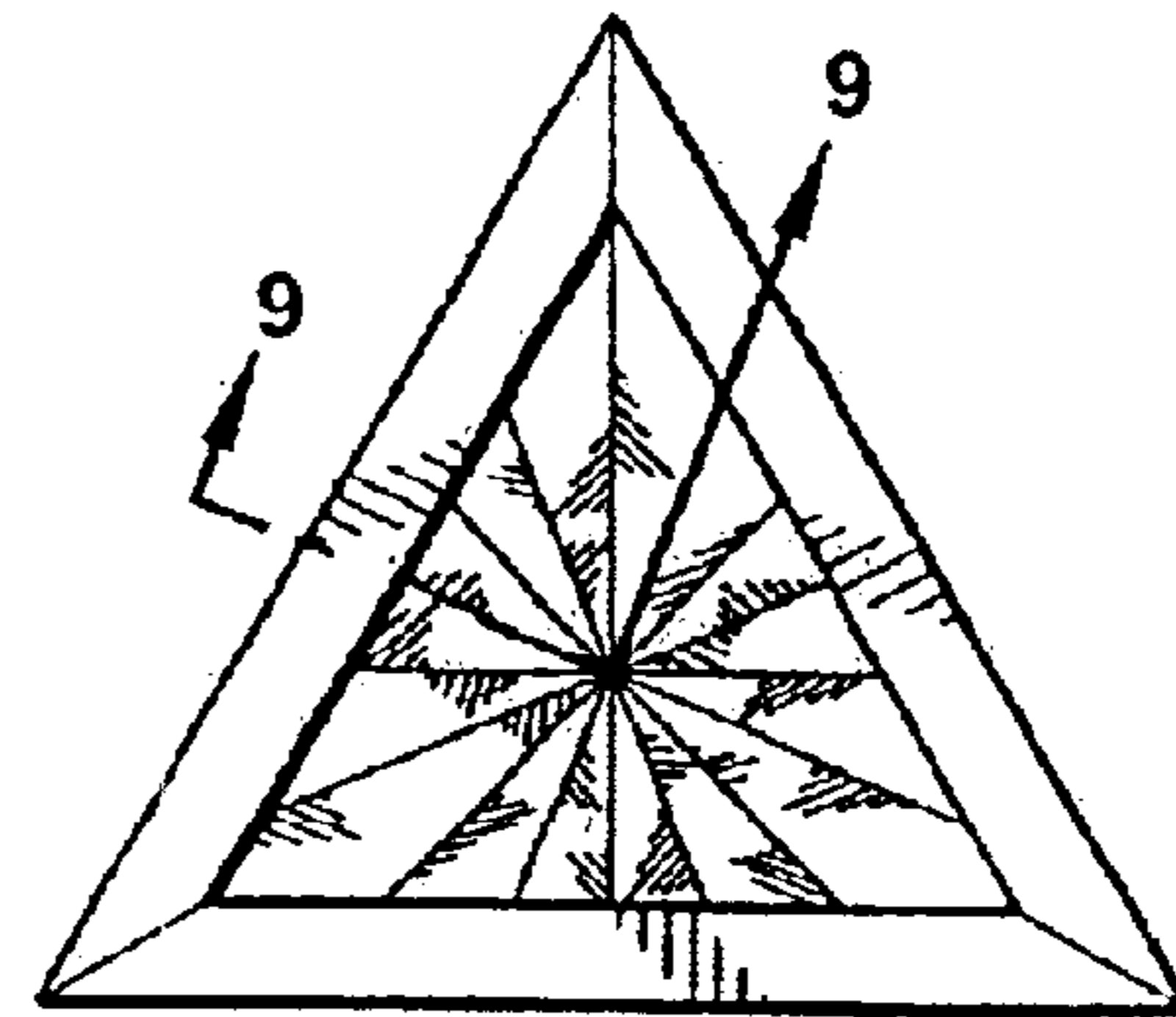


FIG. 7

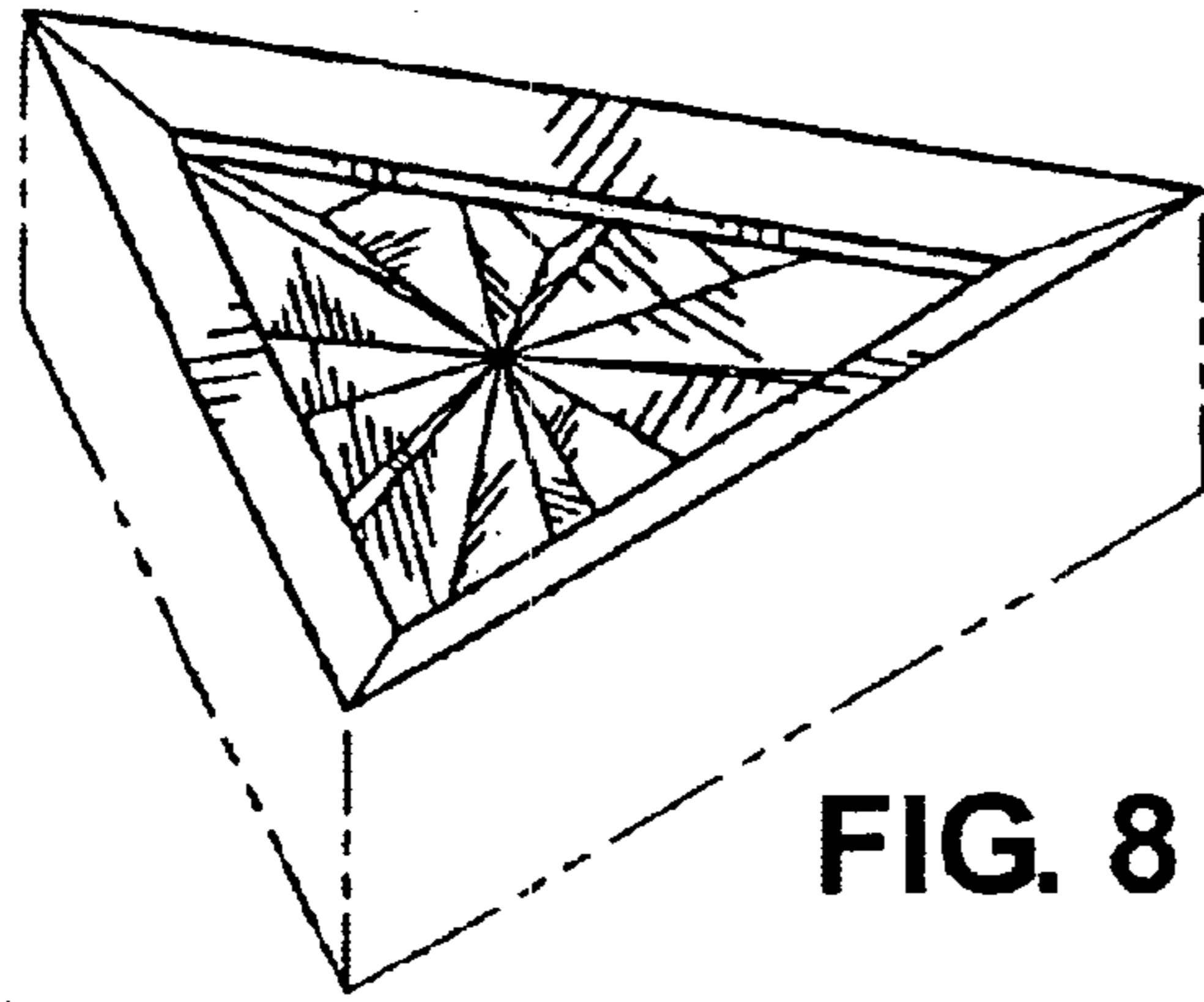


FIG. 8

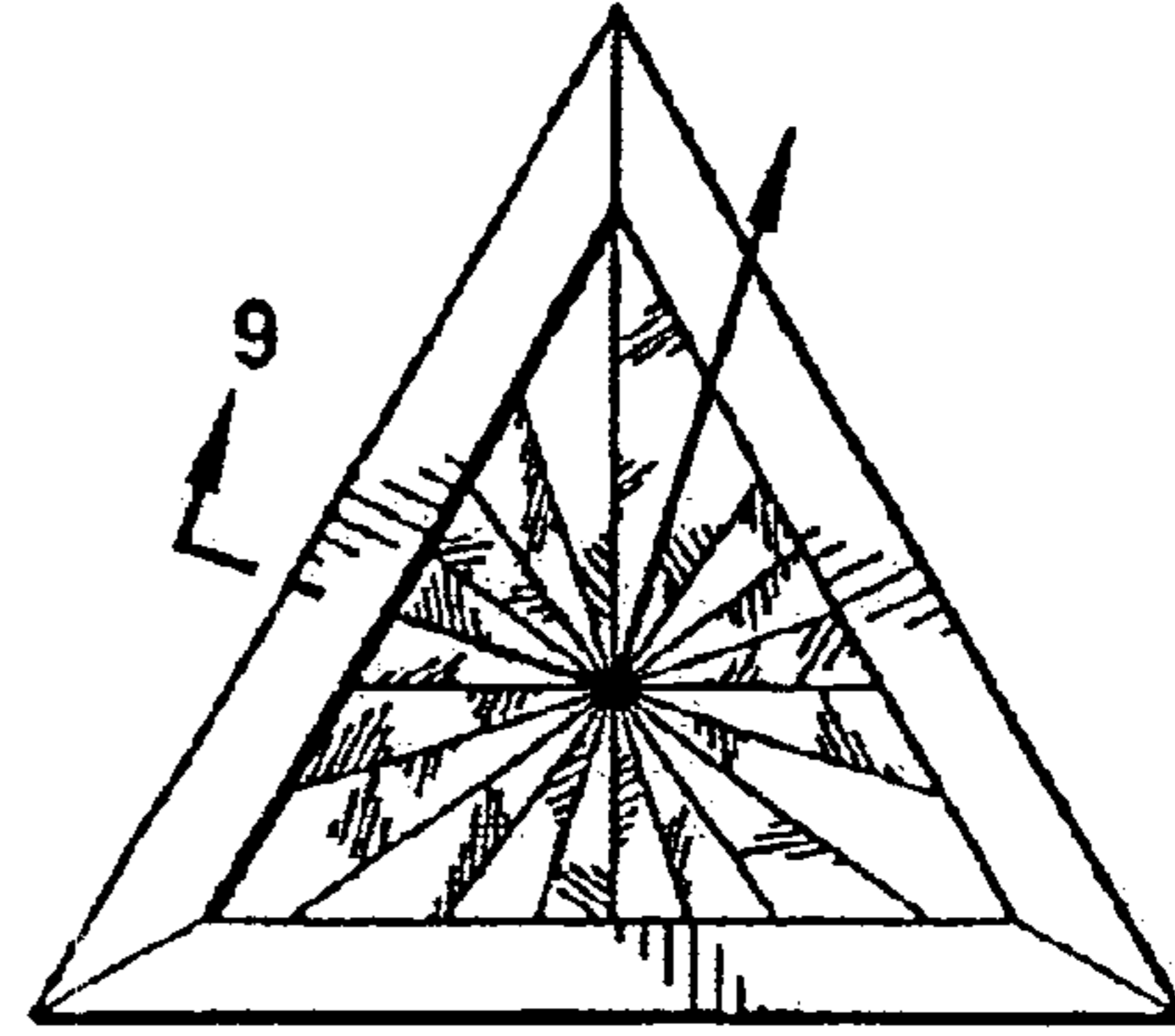


FIG. 9

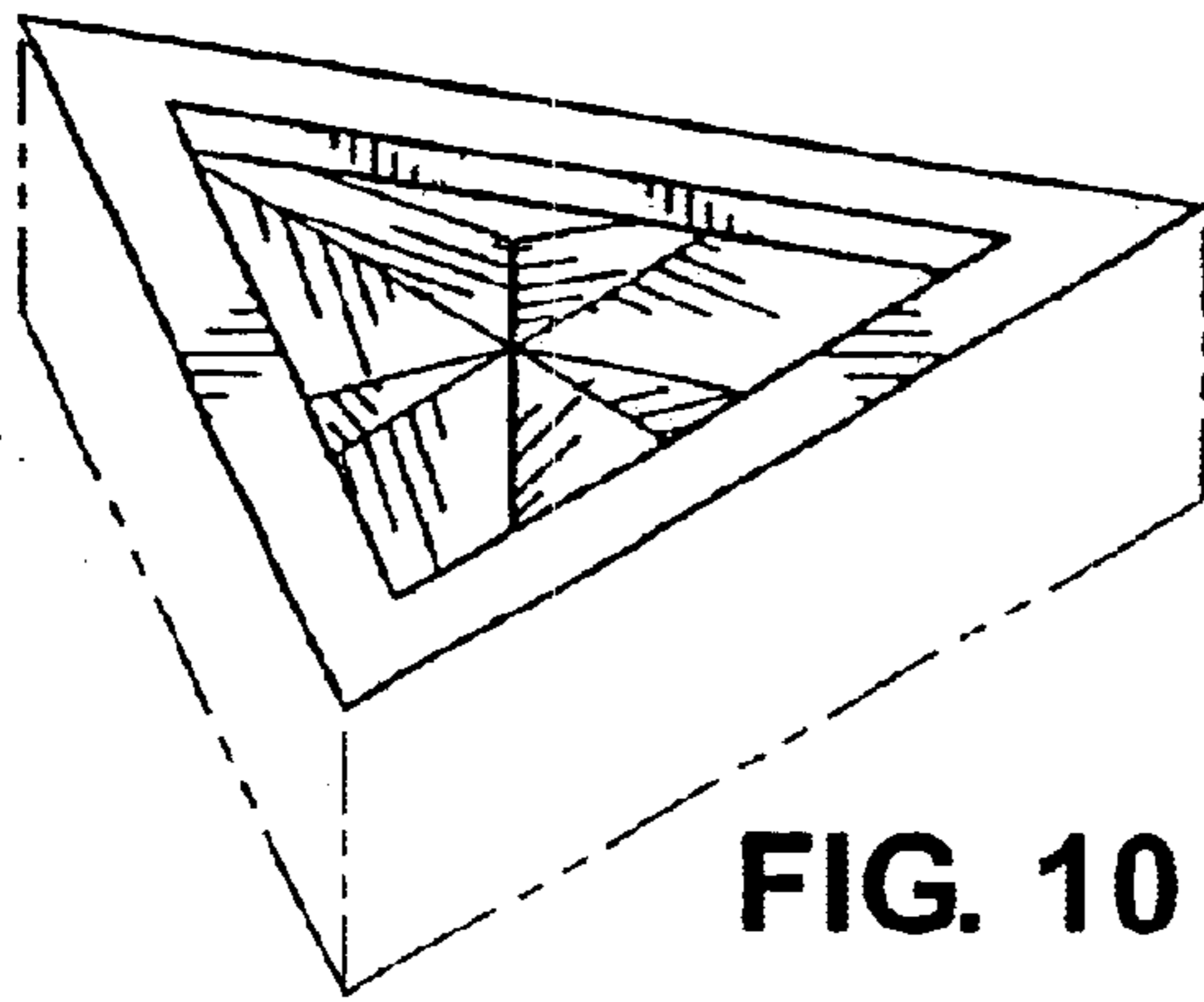


FIG. 10

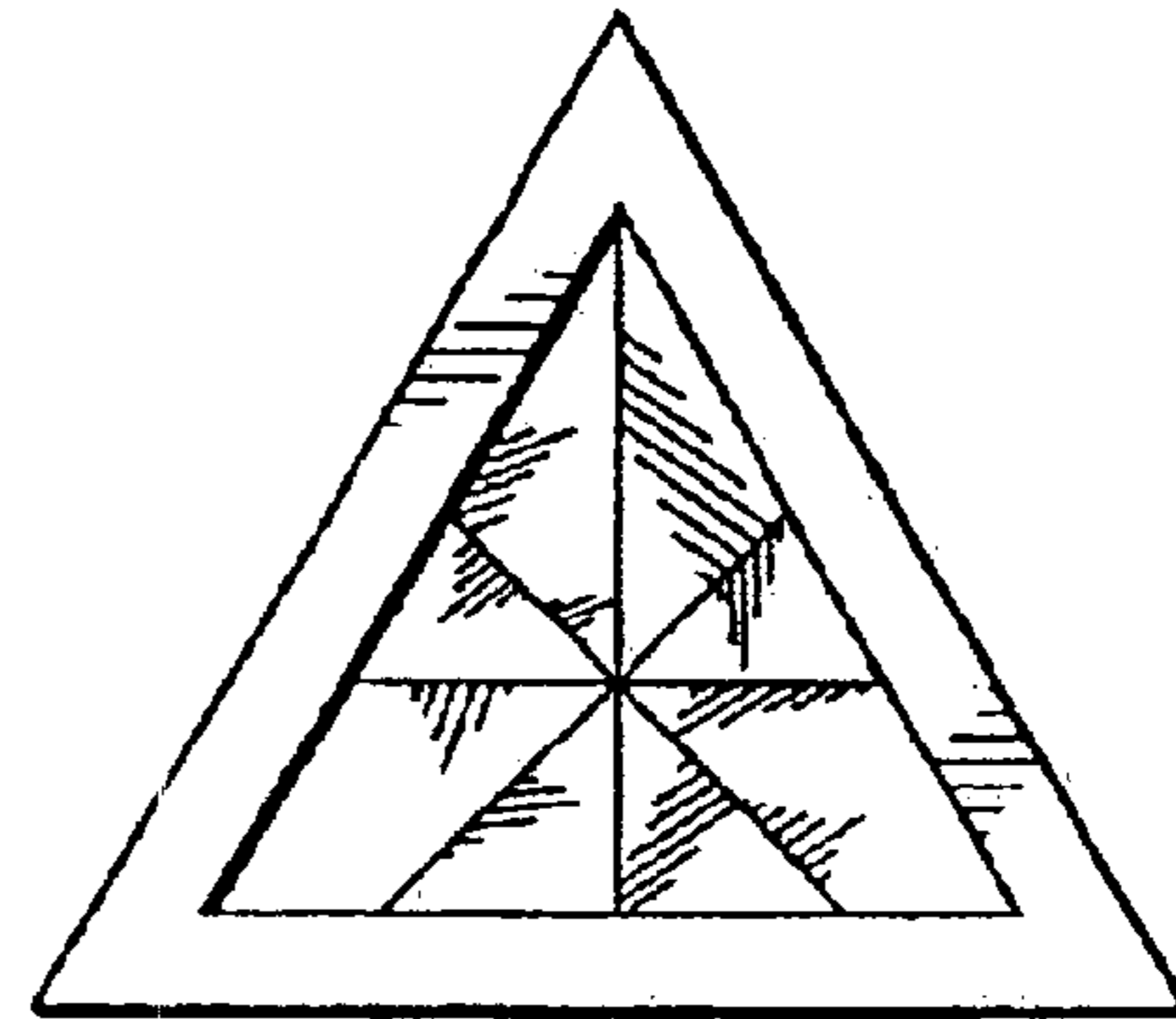


FIG. 11

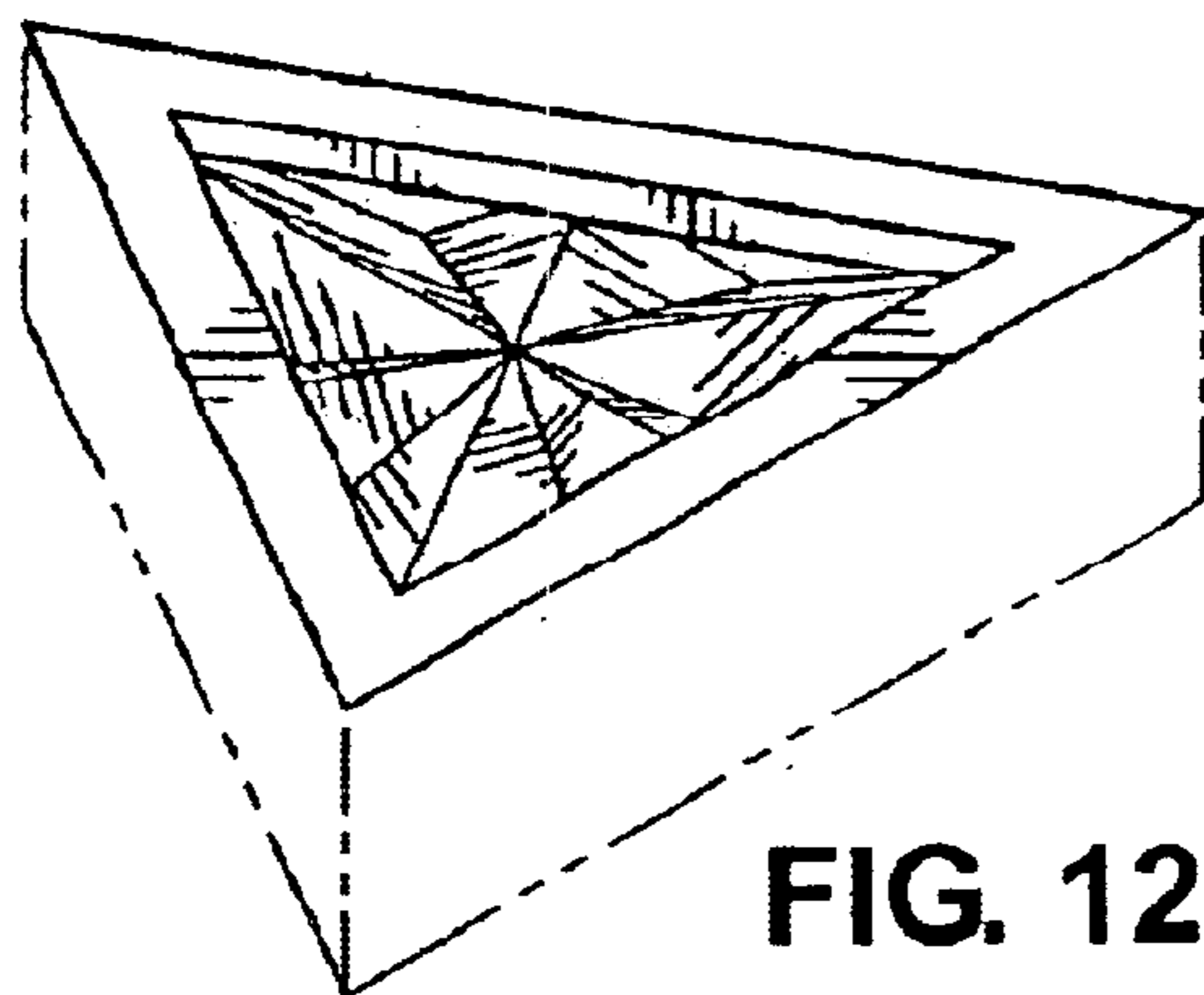


FIG. 12

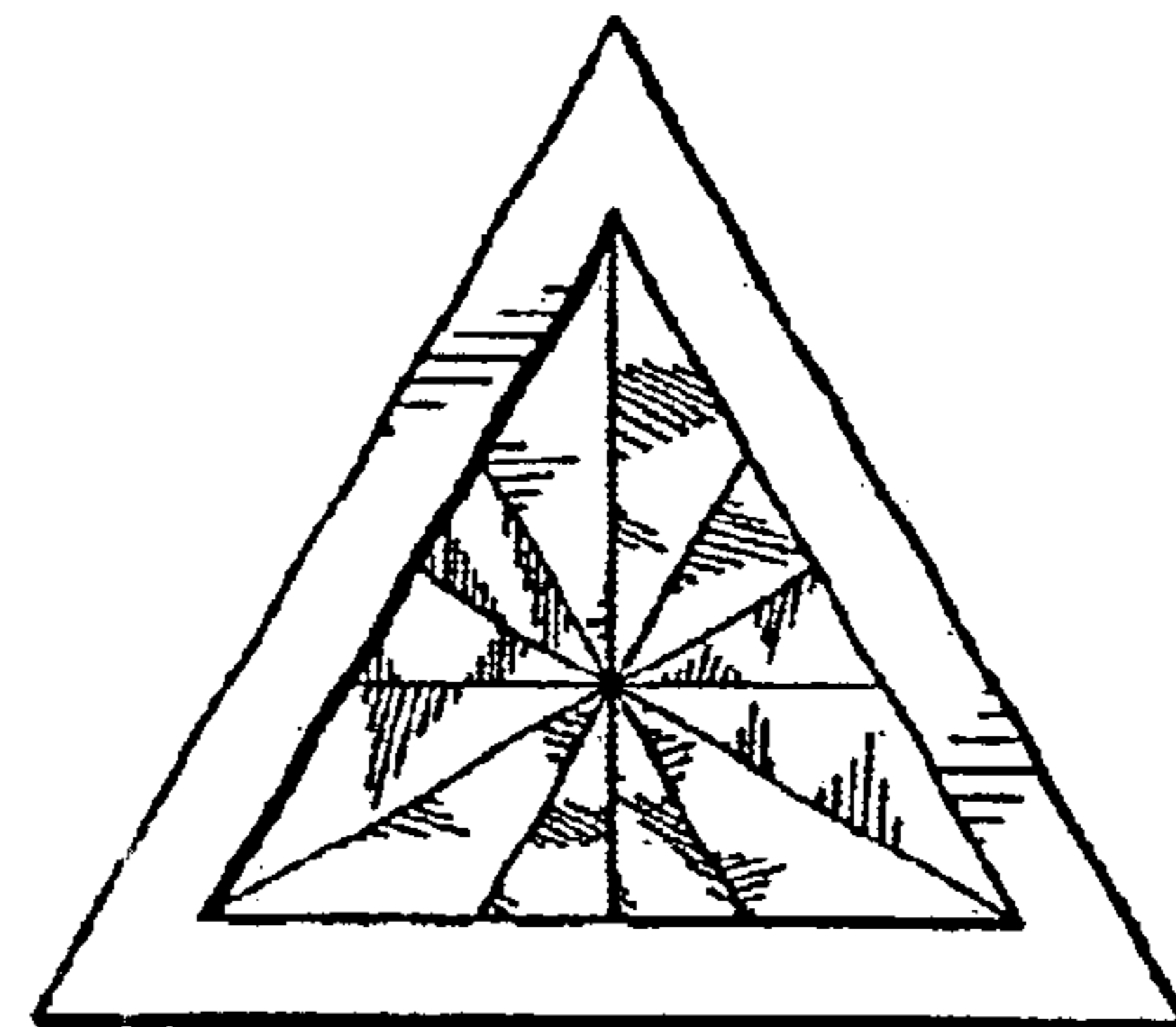


FIG. 13



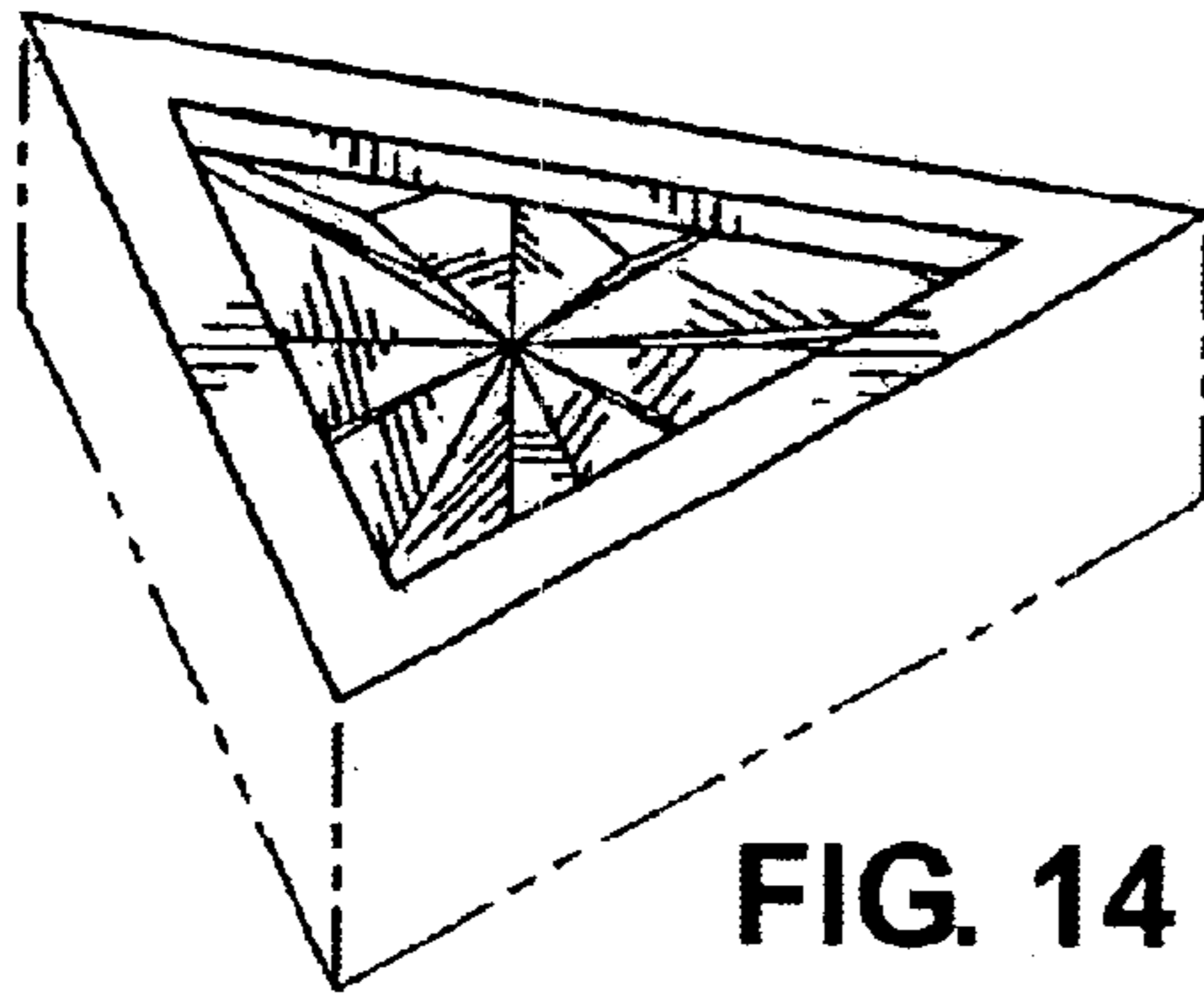


FIG. 14

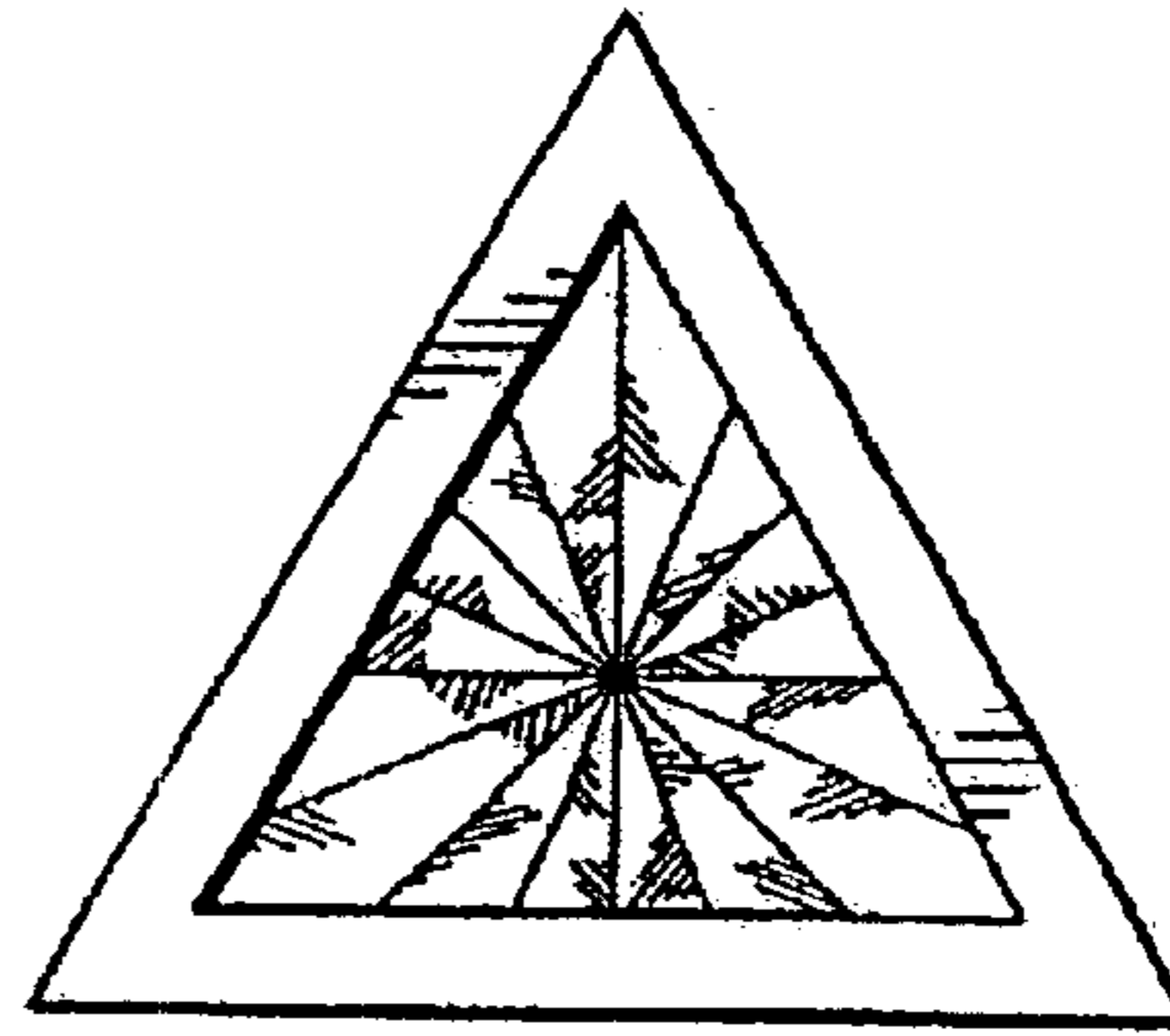


FIG. 15

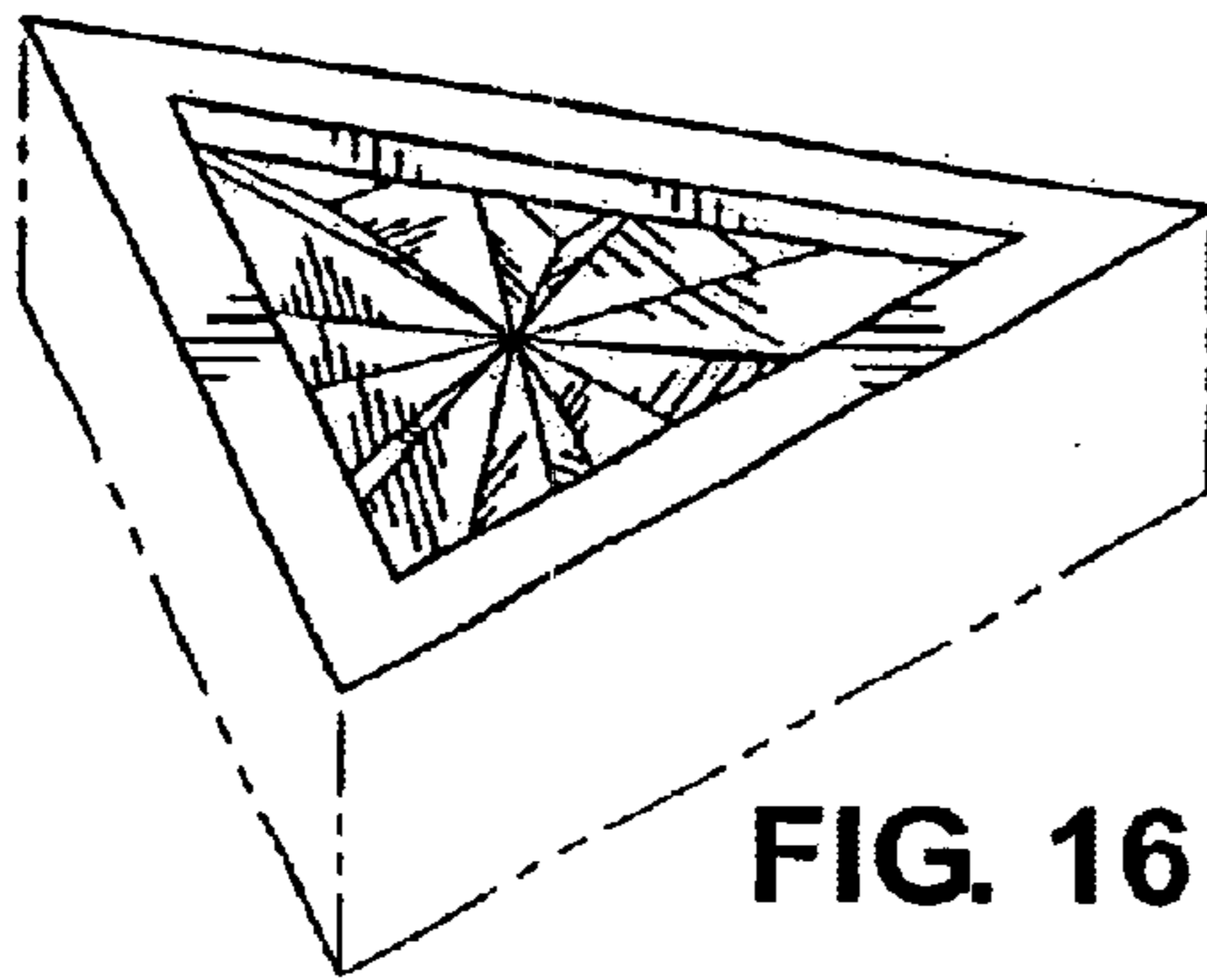


FIG. 16

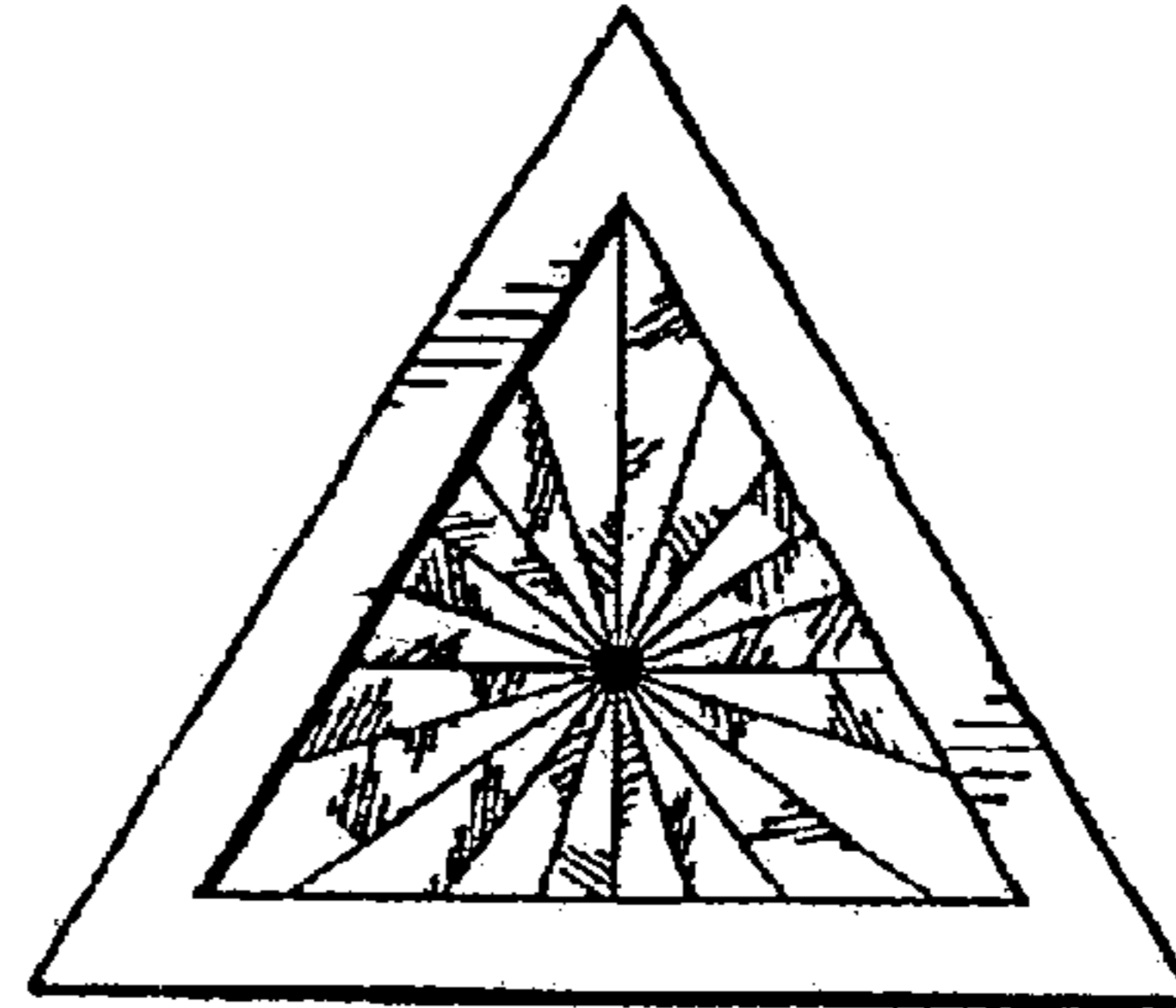


FIG. 17

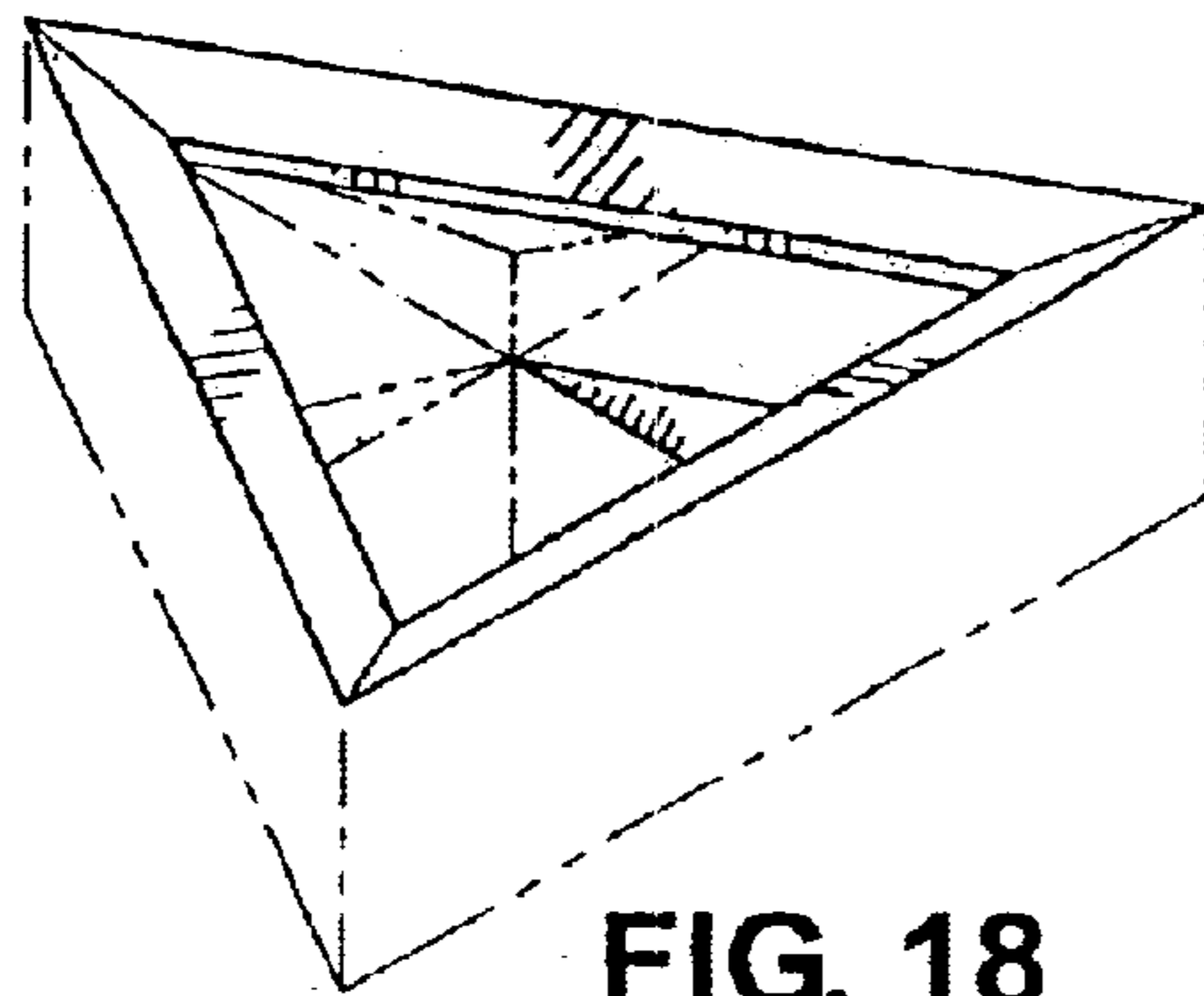


FIG. 18

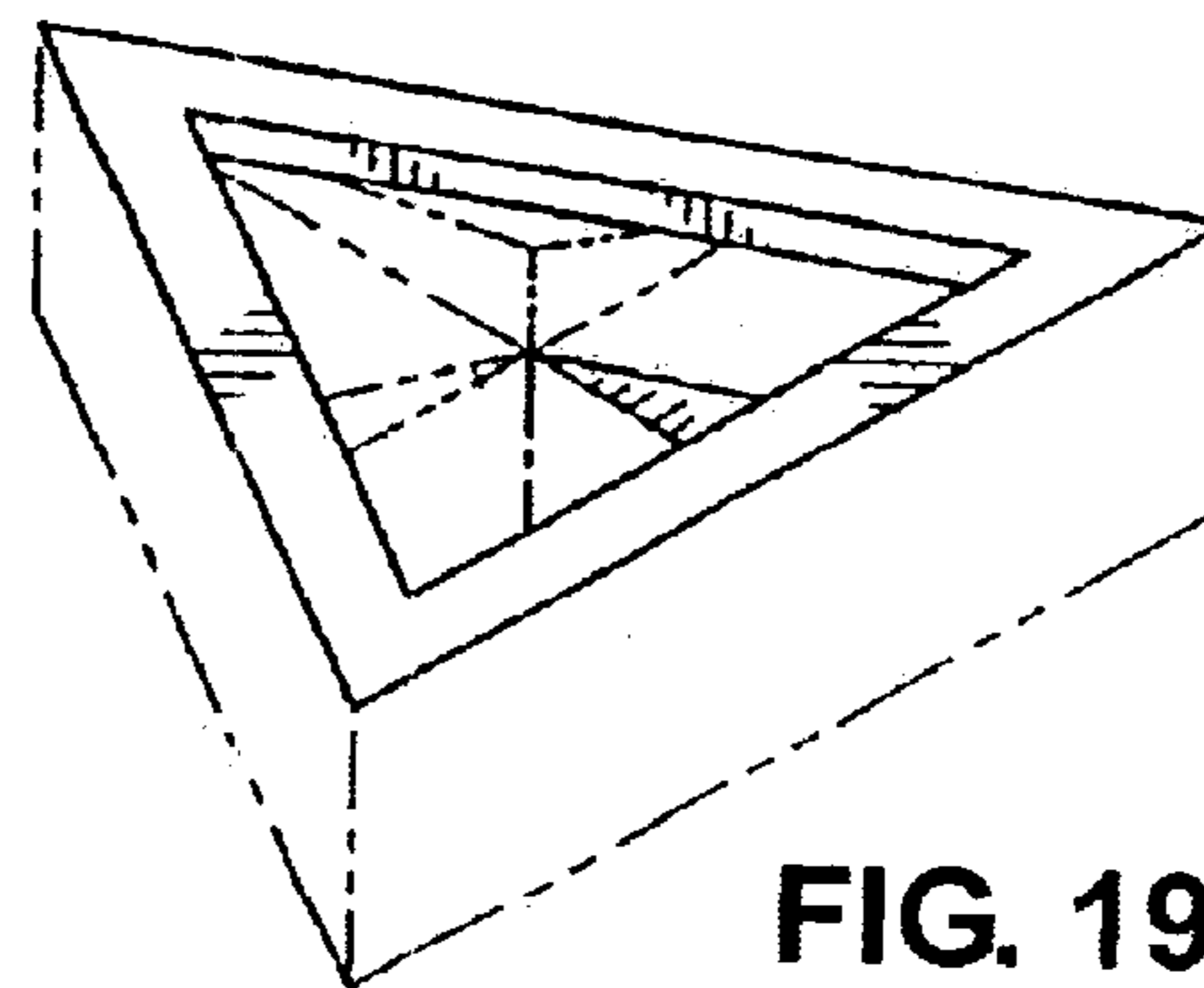


FIG. 19