

US00D501420S

(12) **United States Design Patent**
Lindler

(10) **Patent No.:** **US D501,420 S**

(45) **Date of Patent:** **** Feb. 1, 2005**

(54) **WILD TURKEY CALLER**

(76) **Inventor:** **J. Monroe Lindler**, 180 Hwy. 378
West, Lexington, SC (US) 29072

(**) **Term:** **14 Years**

(21) **Appl. No.:** **29/191,796**

(22) **Filed:** **Oct. 14, 2003**

(51) **LOC (7) Cl.** **10-05**

(52) **U.S. Cl.** **D10/119**

(58) **Field of Search** D10/116, 119;
446/397, 193, 202-204; 116/140

(56) **References Cited**

U.S. PATENT DOCUMENTS

1,014,302	A	*	1/1912	Hawley	446/193
2,643,483	A	*	6/1953	Walker	446/397
2,867,942	A	*	1/1959	Wintriss	446/216
2,880,548	A	*	4/1959	Marr	446/204
D254,727	S	*	4/1980	Mitumori	D10/116
D297,519	S	*	9/1988	Shimoya	D10/116
5,066,260	A		11/1991	Lindler		
5,562,521	A	*	10/1996	Butler et al.	446/397
D429,178	S	*	8/2000	Yuen	D10/116
D436,548	S	*	1/2001	Masuda et al.	D10/116
6,210,252	B1	*	4/2001	Anderson	446/418
6,443,803	B1	*	9/2002	Epple, Jr.	446/418

OTHER PUBLICATIONS

“The Freak,” *Turkey Call* magazine, Jan./Feb. 2003.

Earl Mickel, *Turkey Callmakers Past and Present: Mick’s Picks*, color plates of turkey call, 16 pages, 1994.

* cited by examiner

Primary Examiner—Nelson C. Holtje

(74) *Attorney, Agent, or Firm*—Nelson Mullins Riley & Scarborough LLP

(57) **CLAIM**

The ornamental design of a wild turkey caller, substantially as shown and described.

DESCRIPTION

FIG. 1 is a perspective view of a wild turkey caller embodying the design of the present invention.

FIG. 2 is a perspective view of the wild turkey caller illustrated in FIG. 1, with cover removed.

FIG. 3 is an elevational view of the wild turkey caller illustrated in FIG. 1.

FIG. 4 is a top view of the wild turkey caller illustrated in FIG. 1.

FIG. 5 is a bottom view of the wild turkey caller illustrated in FIG. 1.

FIG. 6 is a perspective view of a first alternative embodiment of a wild turkey caller embodying the design of the present invention.

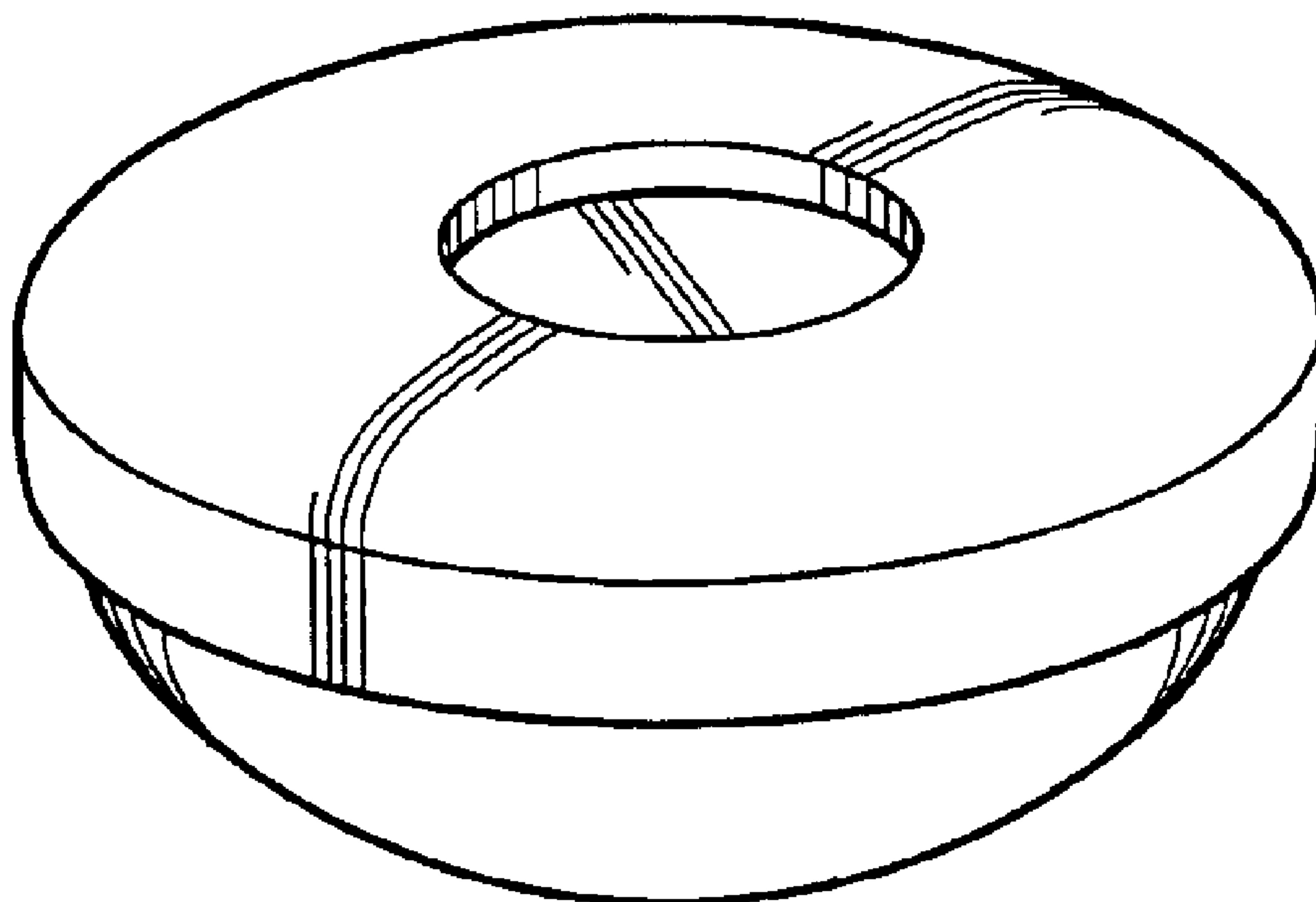
FIG. 7 is a perspective view of the wild turkey caller illustrated in FIG. 6, with cover removed.

FIG. 8 is an elevational view of the wild turkey caller illustrated in FIG. 6.

FIG. 9 is a top view of the wild turkey caller illustrated in FIG. 6; and,

FIG. 10 is a bottom view of the wild turkey caller illustrated in FIG. 6.

1 Claim, 4 Drawing Sheets



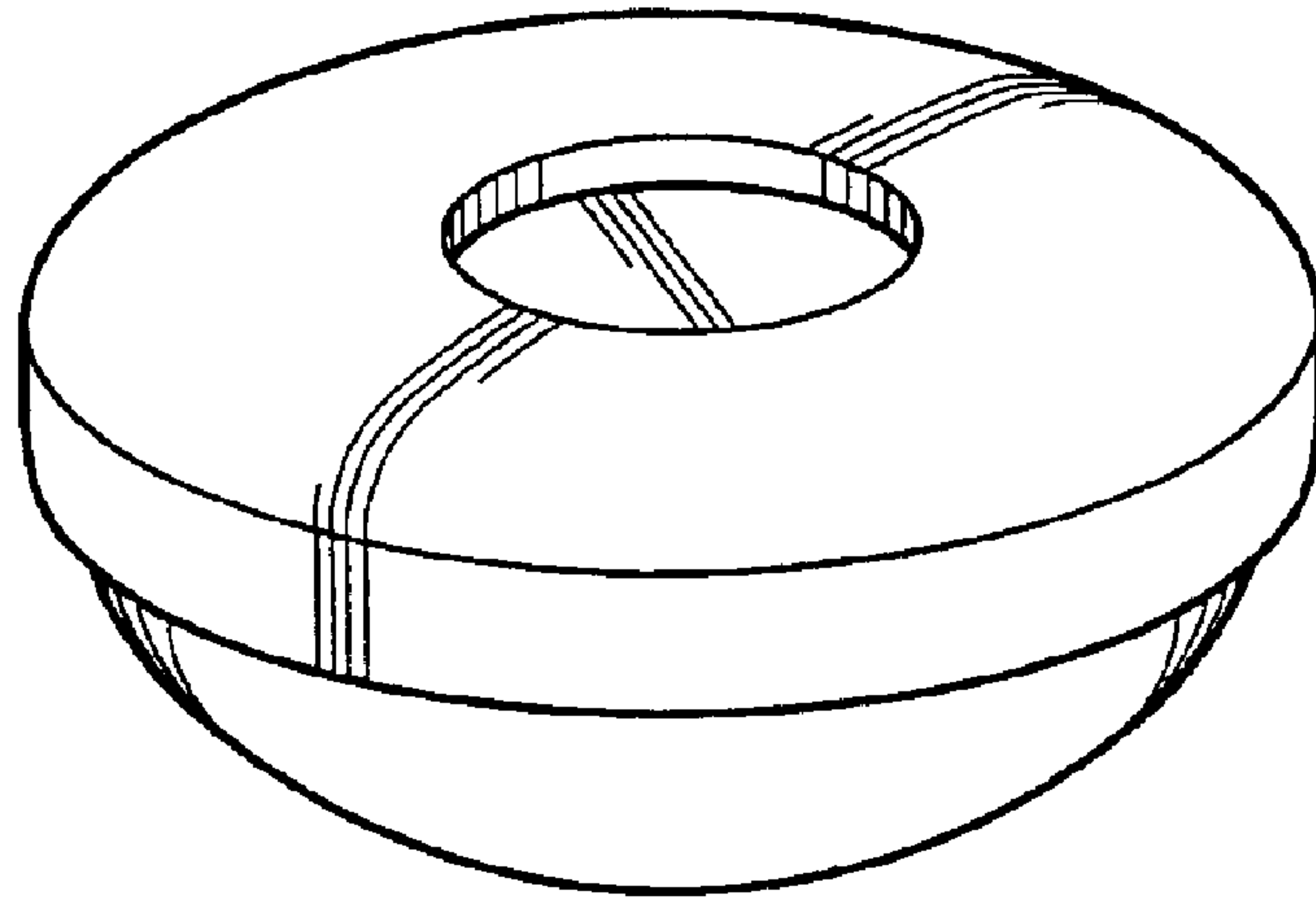


FIG. 1

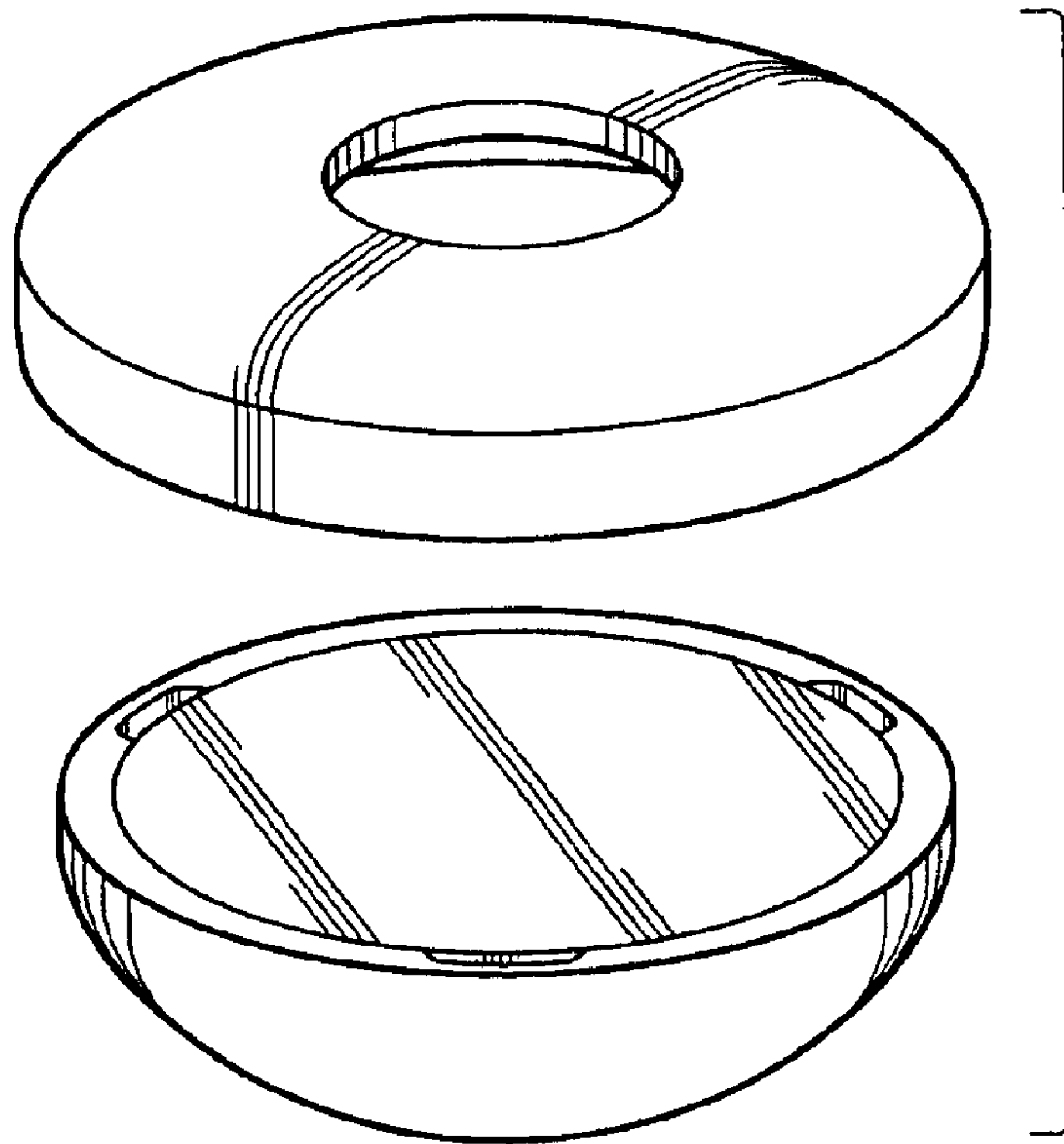


FIG. 2

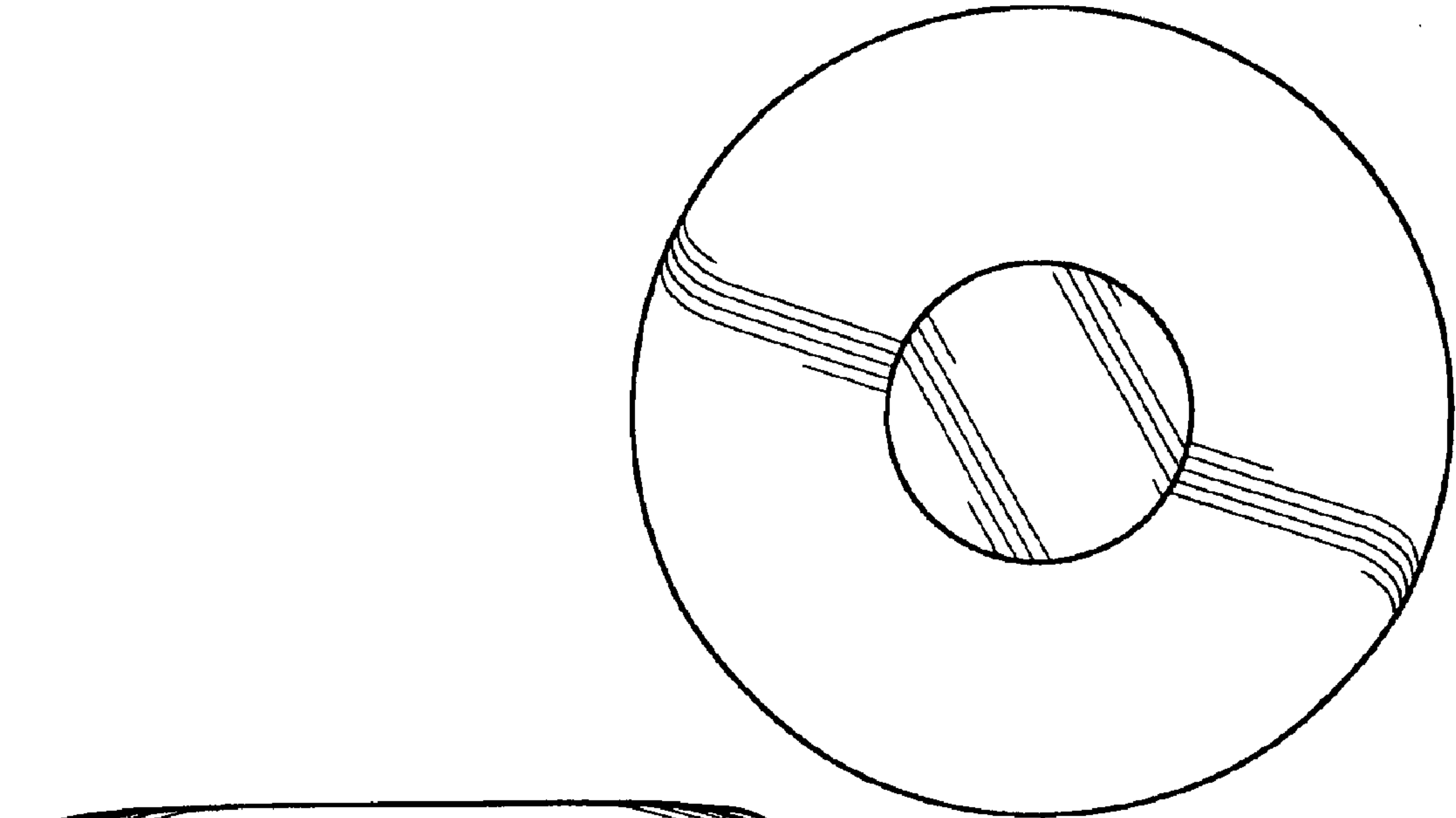


FIG. 3

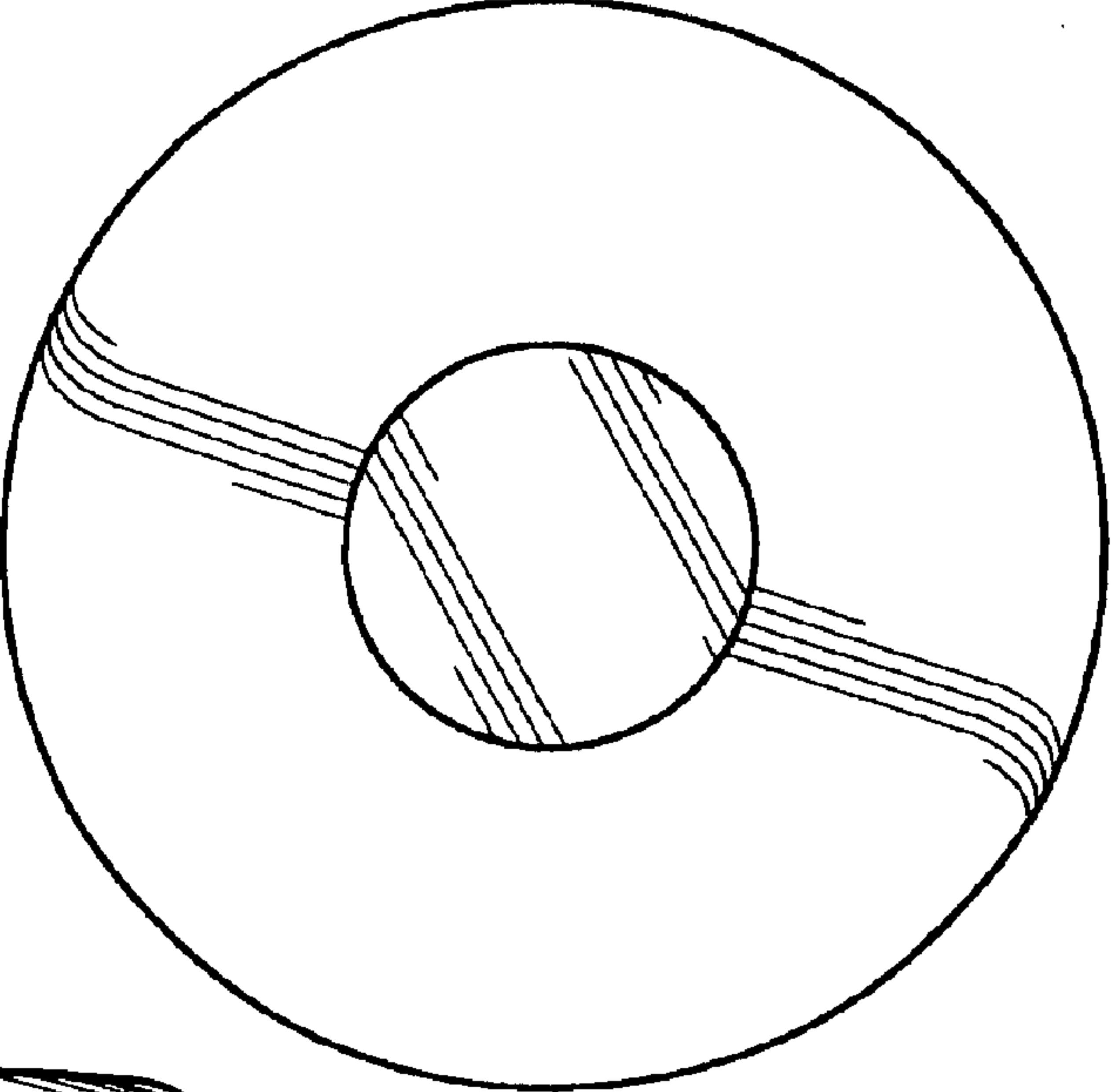


FIG. 4

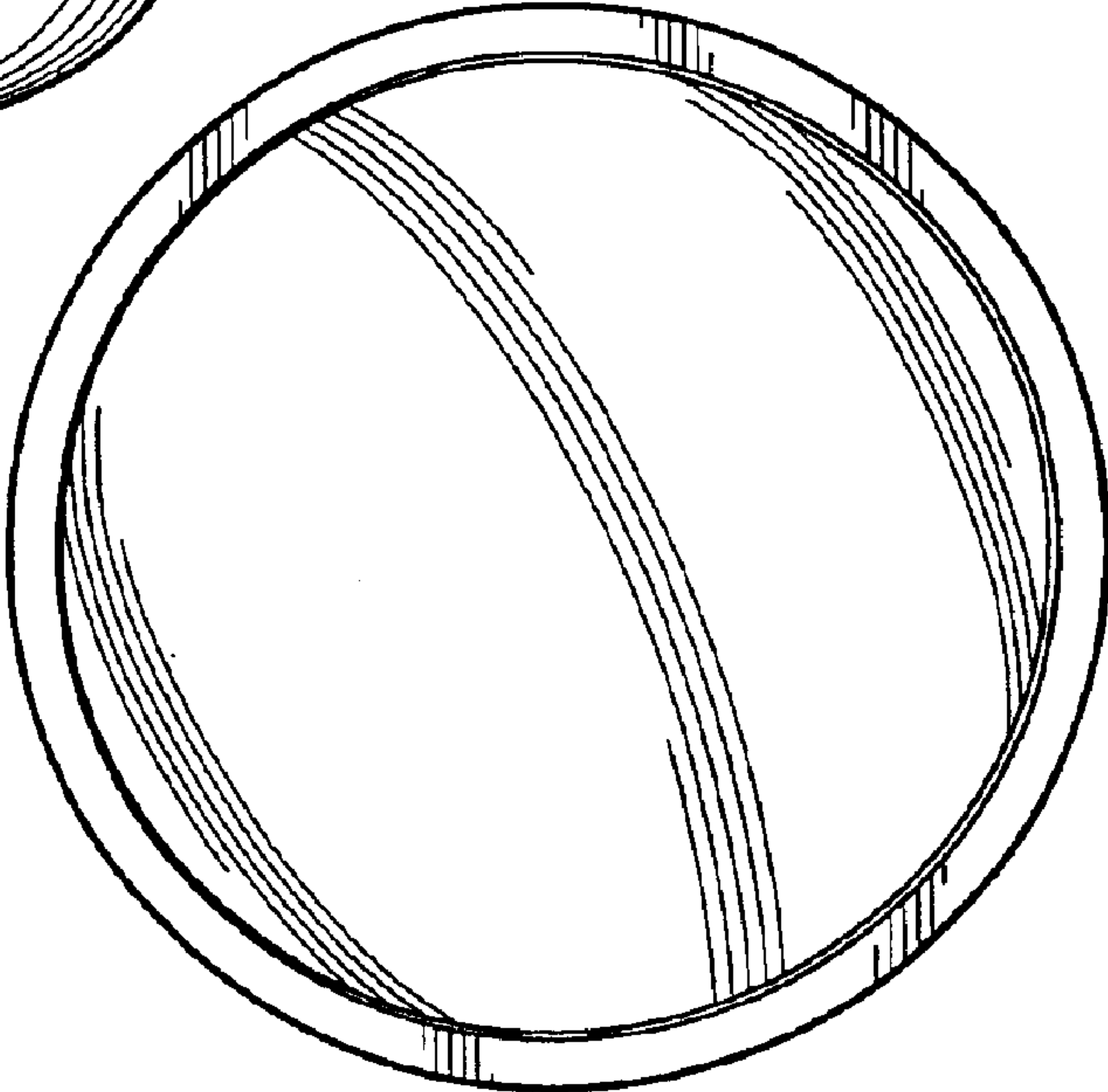


FIG. 5

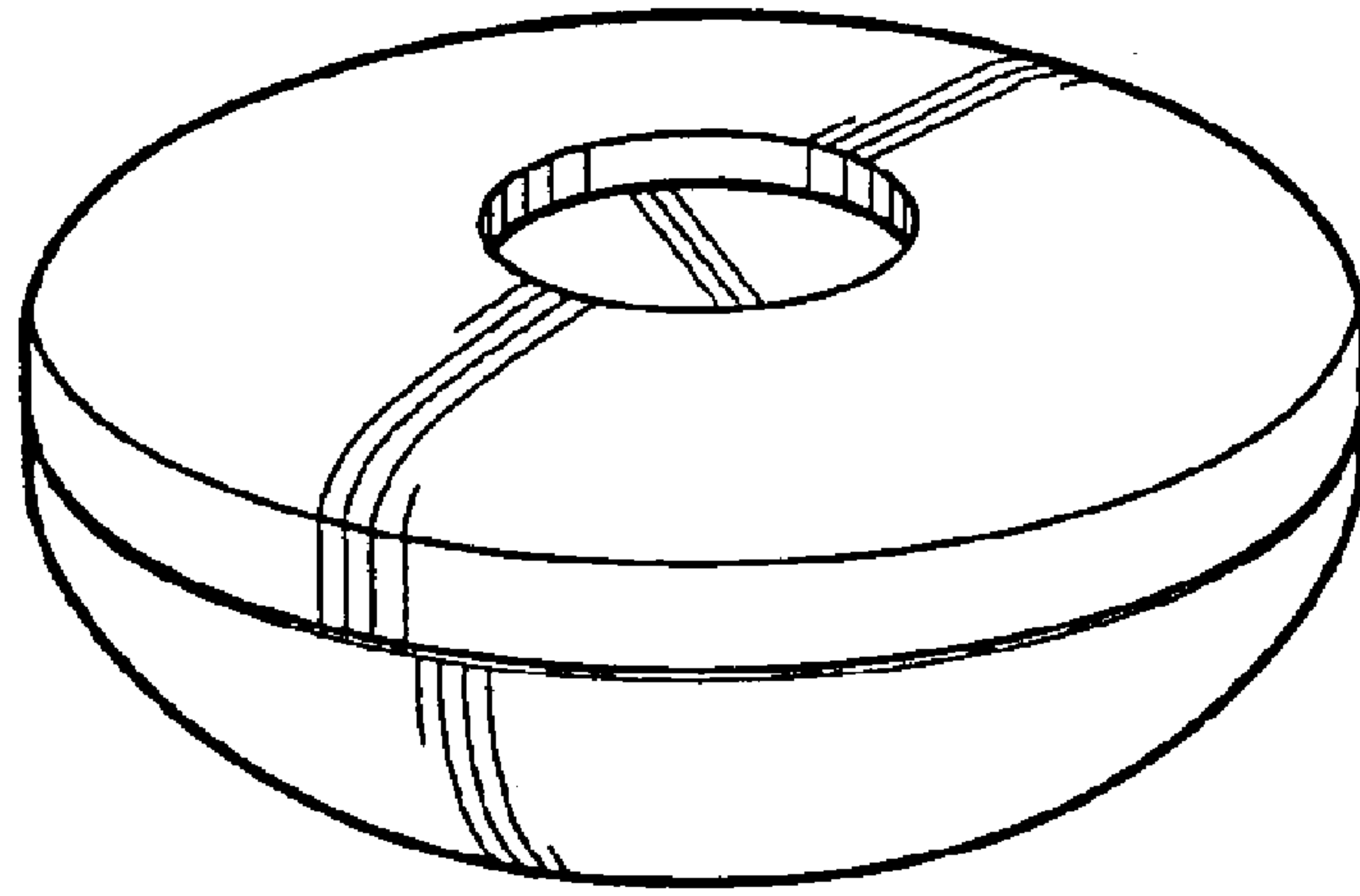


FIG. 6

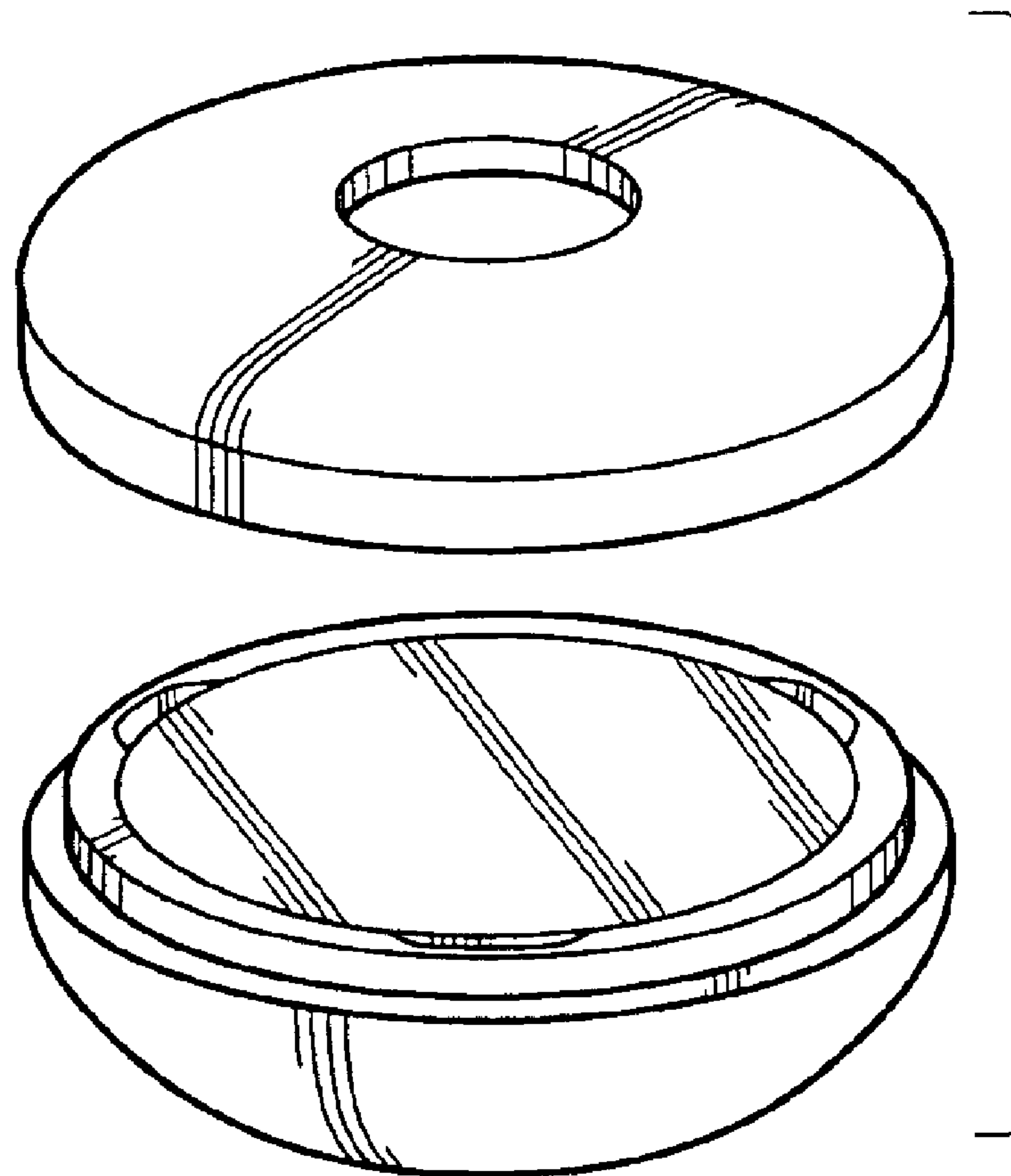


FIG. 7

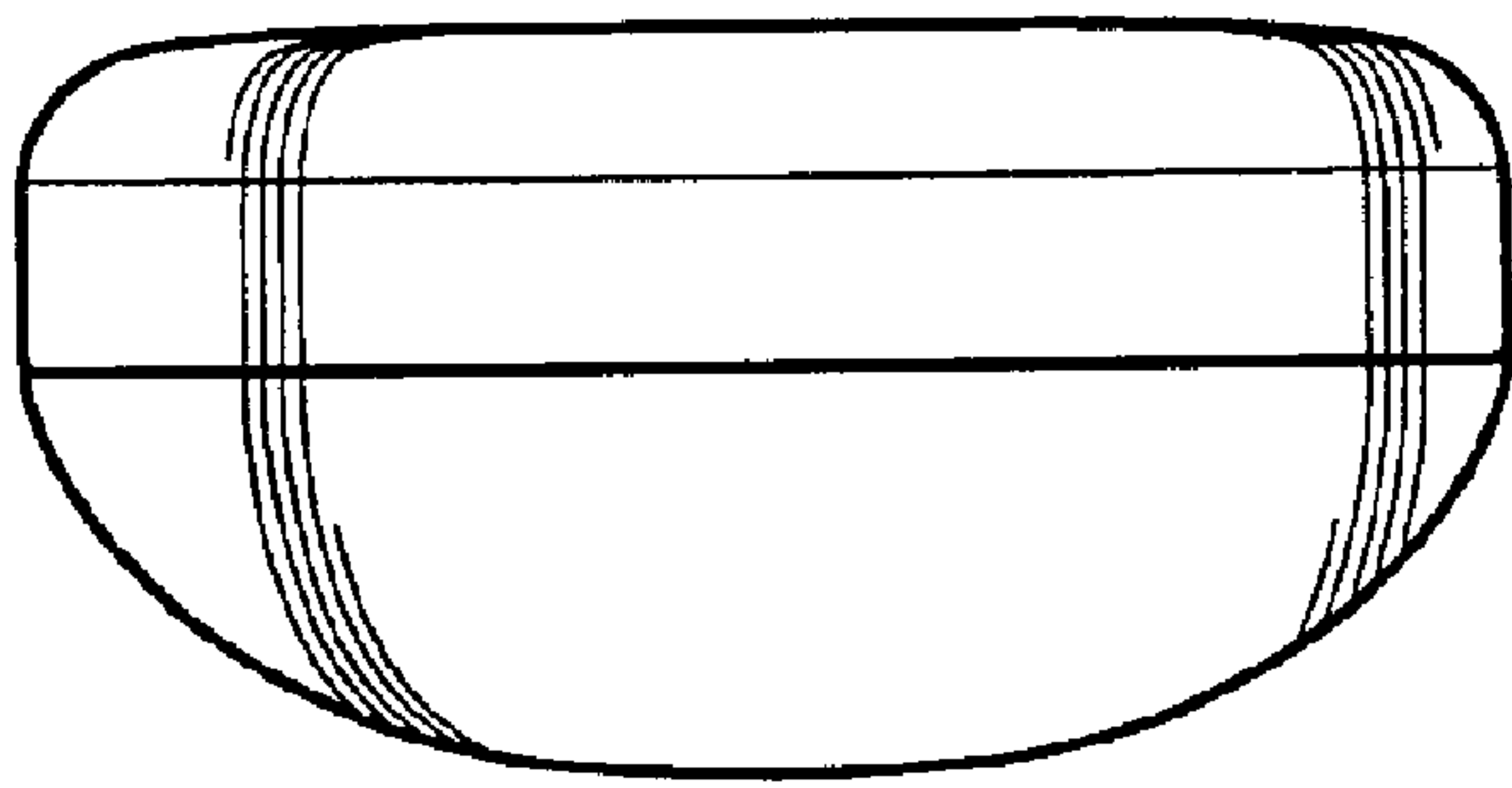


FIG. 8

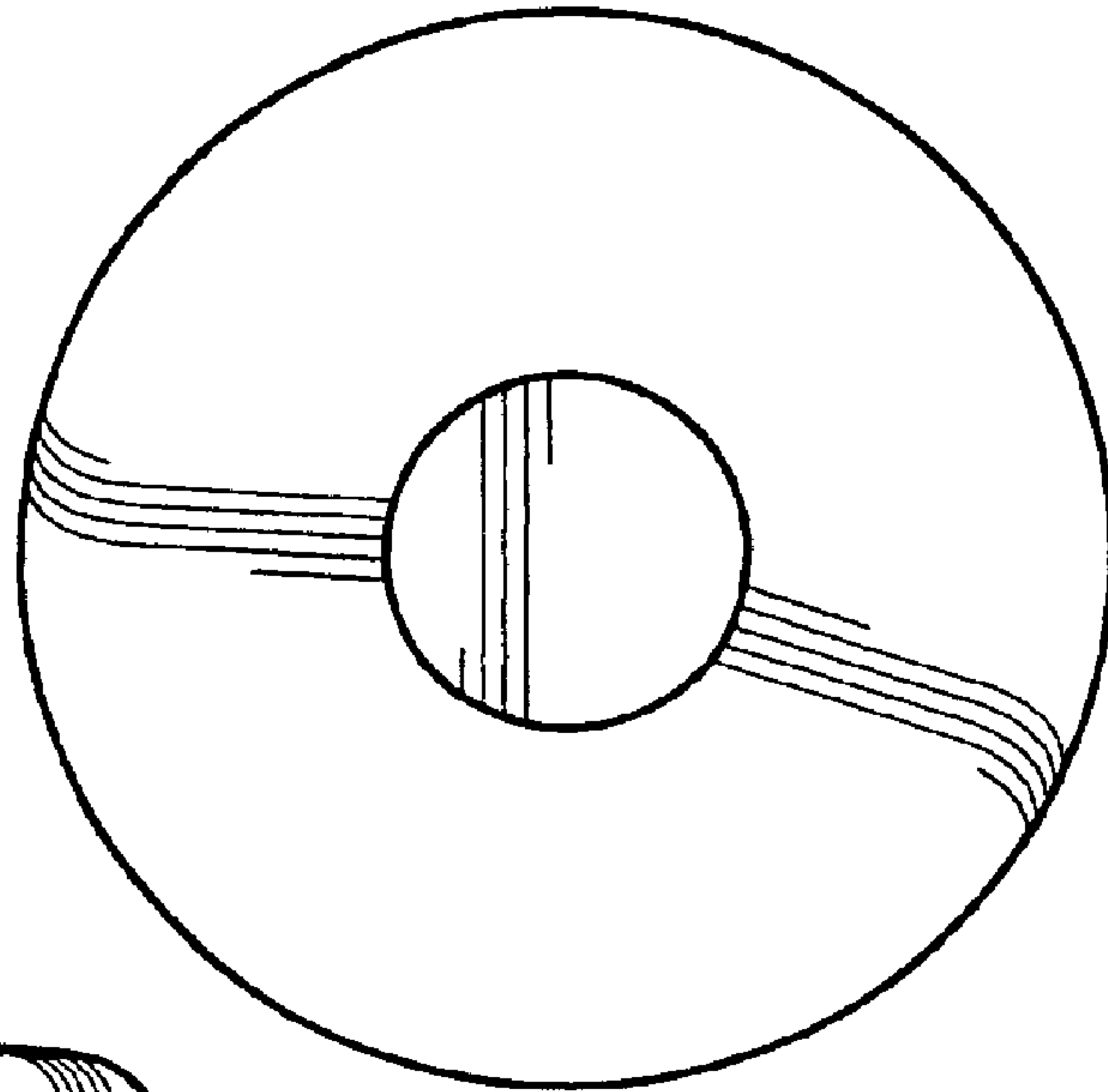


FIG. 9

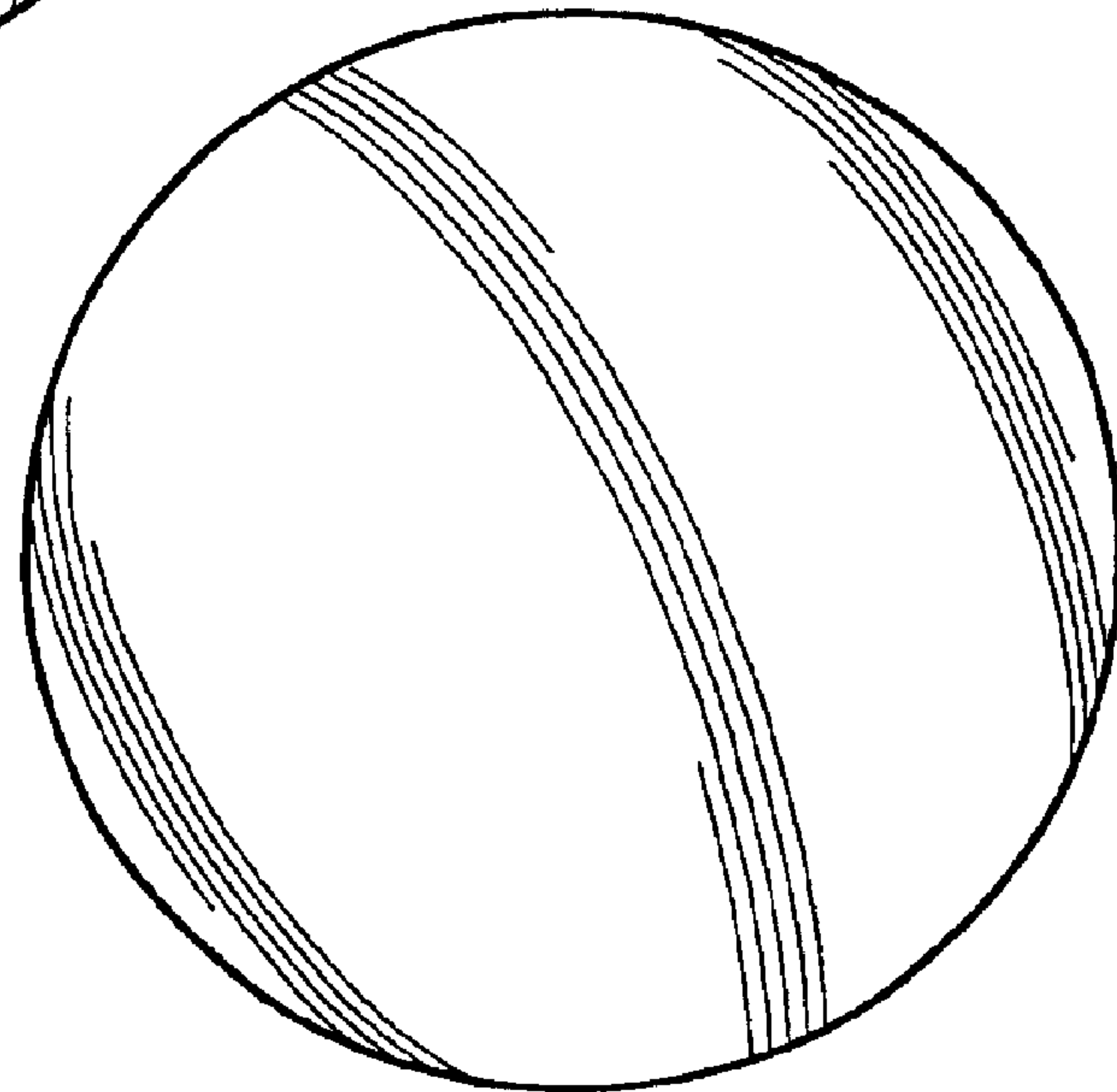


FIG. 10