

US00D501410S

(12) **United States Design Patent**
Lin

(10) **Patent No.:** **US D501,410 S**
(45) **Date of Patent:** **** Feb. 1, 2005**

(54) **SELF-VENTING MICROWAVEABLE
RECLOSABLE STANDUP POUCH**

6,265,038 B1 * 7/2001 Frisk 428/34.7
D468,196 S * 1/2003 Graham D9/707

(76) Inventor: **David Lin**, No. 71, Lane 53,
Kuang-Hwa Rd., Shanhua, Tainan
County (TW), 741

* cited by examiner

Primary Examiner—Paula A. Greene
(74) *Attorney, Agent, or Firm*—Alan D. Kamrath; Nikolai
& Mersereau, P.A.

(**) Term: **14 Years**

(57) **CLAIM**

(21) Appl. No.: **29/198,142**

The ornamental design for a self-venting microwaveable
reclosable standup pouch, as shown and described.

(22) Filed: **Jan. 26, 2004**

(51) **LOC (7) Cl.** **09-05**

(52) **U.S. Cl.** **D9/707**

(58) **Field of Search** D9/707, 709, 703,
D9/702, 699; 383/104, 120, 122, 107, 206,
907; 206/0.6, 522, 527; 428/34.7; 219/727,
730, 735

DESCRIPTION

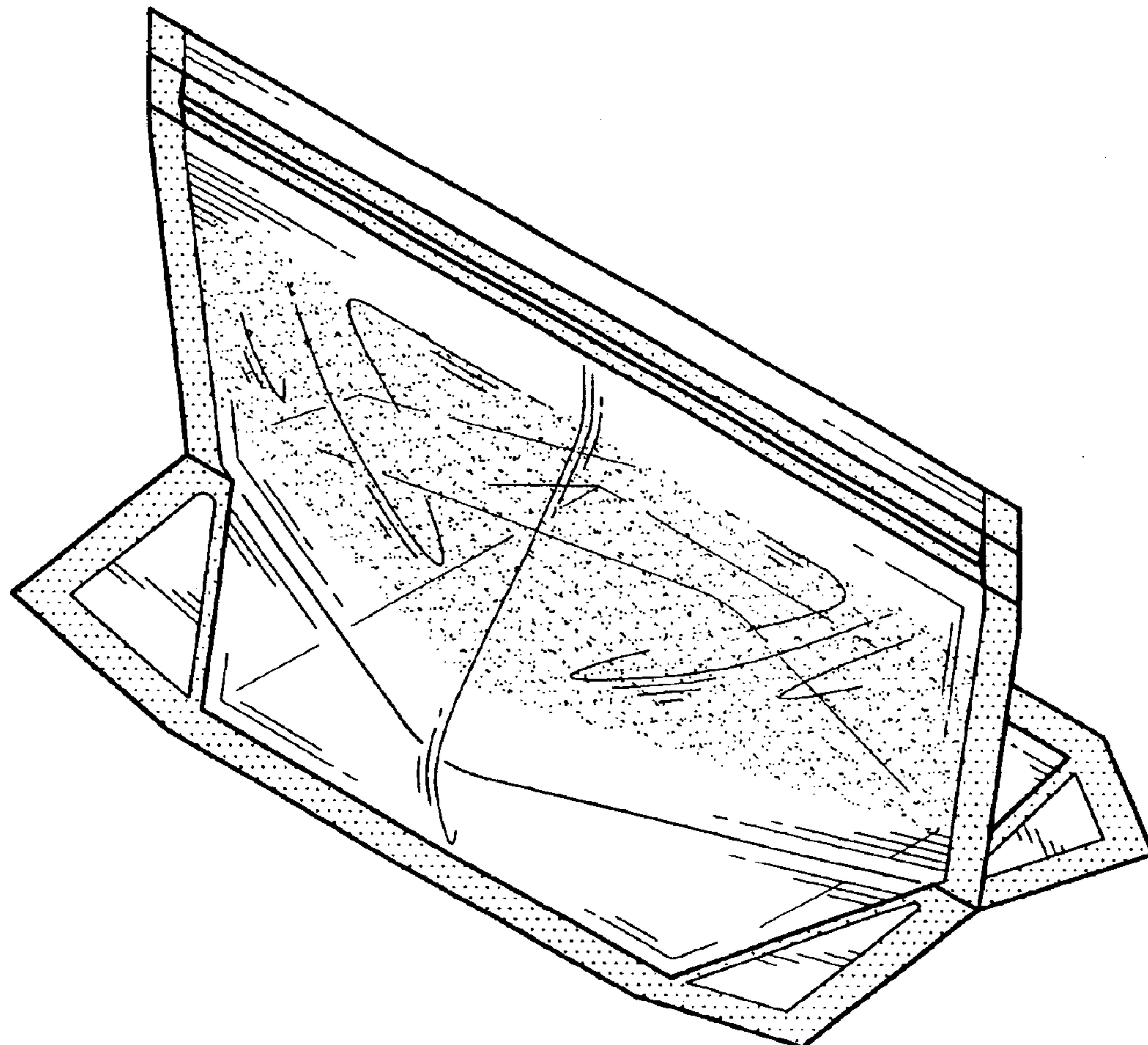
FIG. 1 is a perspective view of a self-venting microwaveable
reclosable standup pouch showing my new design;
FIG. 2 is a front side elevational view thereof;
FIG. 3 is a rear side elevational view thereof;
FIG. 4 is a side elevational view thereof, the opposite side
view being a mirror image thereof
FIG. 5 is a top plan view thereof;
FIG. 6 is a bottom plan view thereof; and,
FIG. 7 is a front elevational view thereof, and showing the
self-venting microwaveable reclosable standup pouch in an
unfolded and flat condition.

(56) **References Cited**

U.S. PATENT DOCUMENTS

4,361,235 A * 11/1982 Gautier 206/527
4,810,844 A * 3/1989 Anderson 219/727
4,904,093 A * 2/1990 Woods et al. 383/120
4,950,859 A * 8/1990 Anderson 219/727
D423,923 S * 5/2000 Sagel D9/707

1 Claim, 3 Drawing Sheets



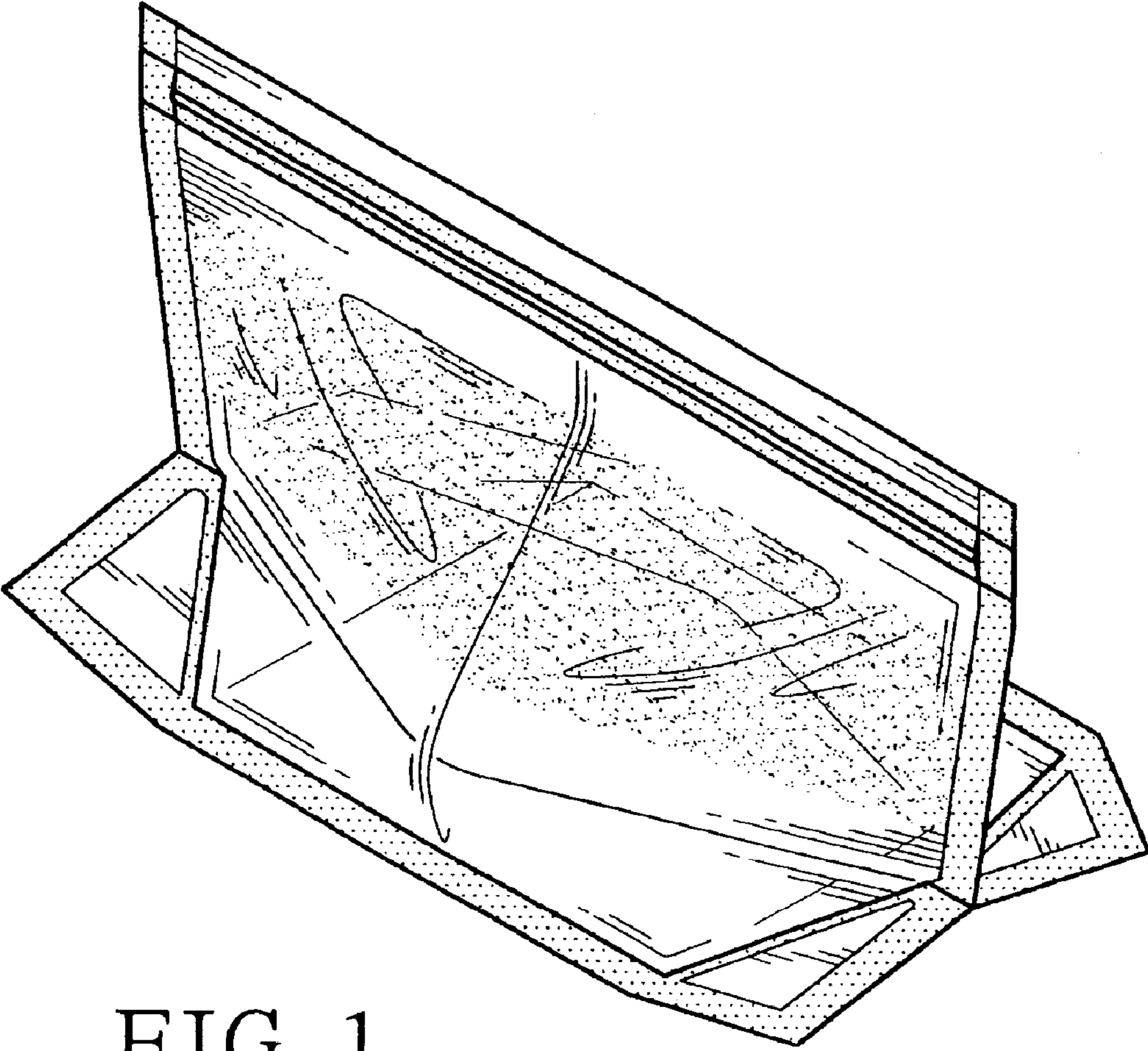


FIG. 1

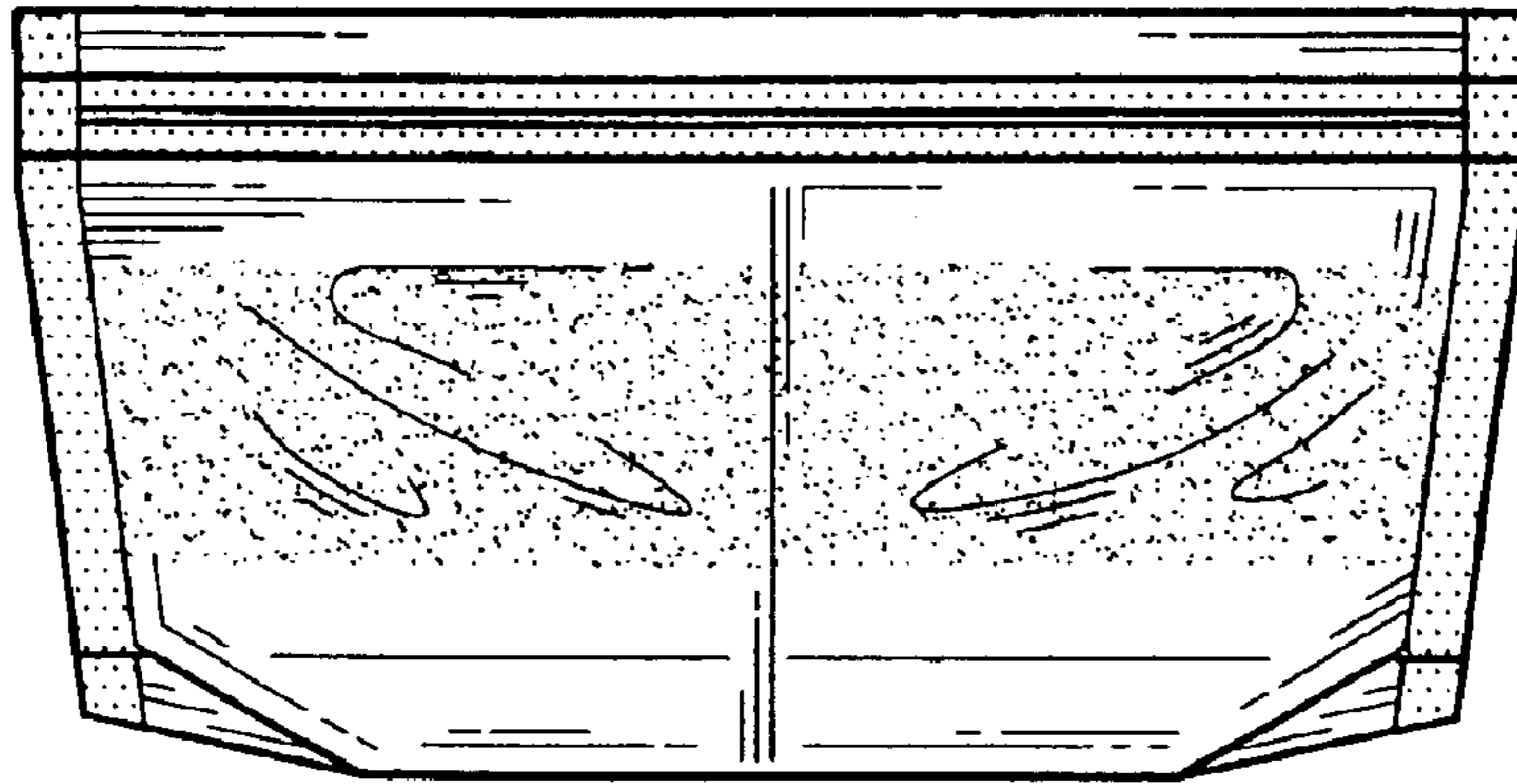


FIG. 2

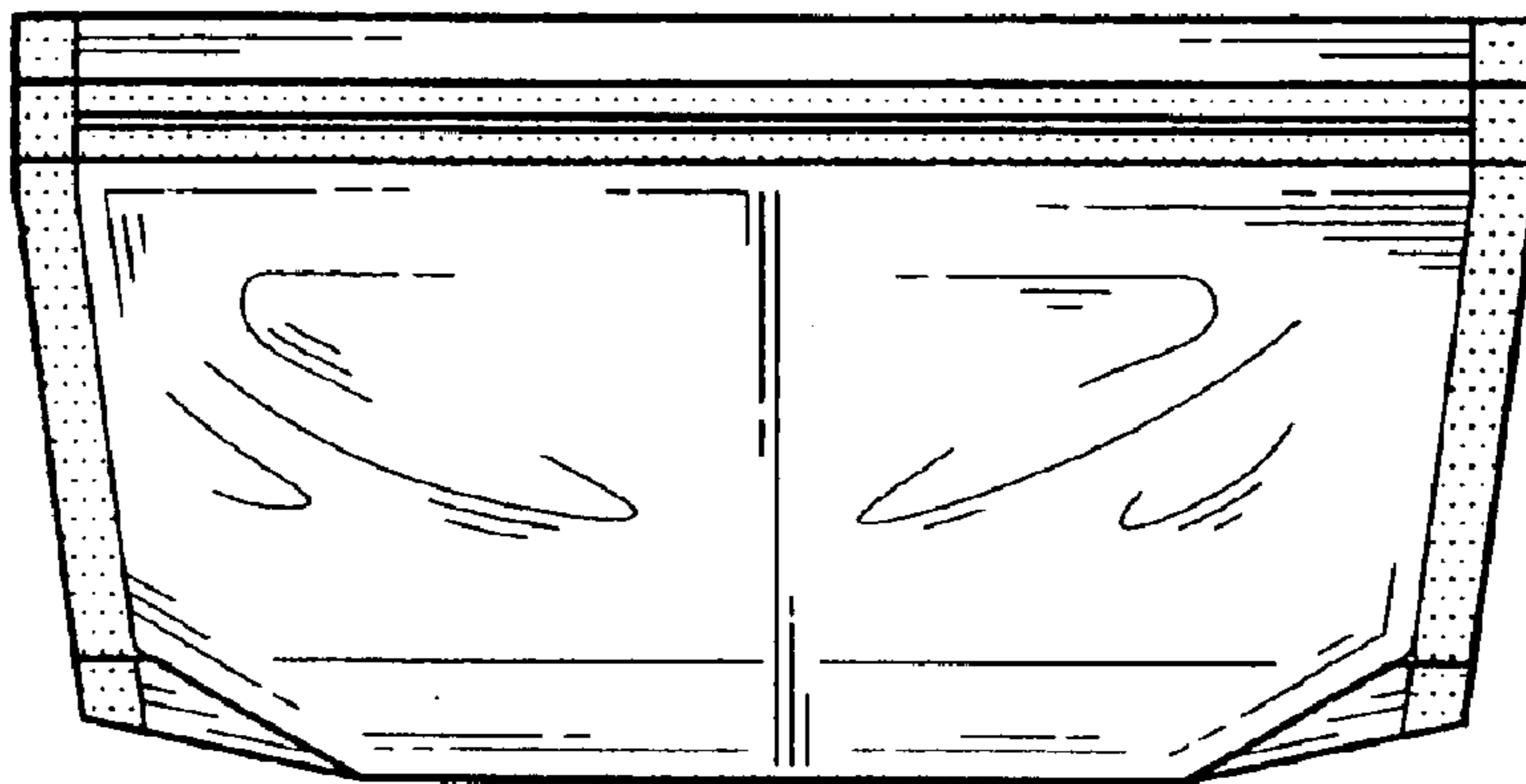


FIG. 3

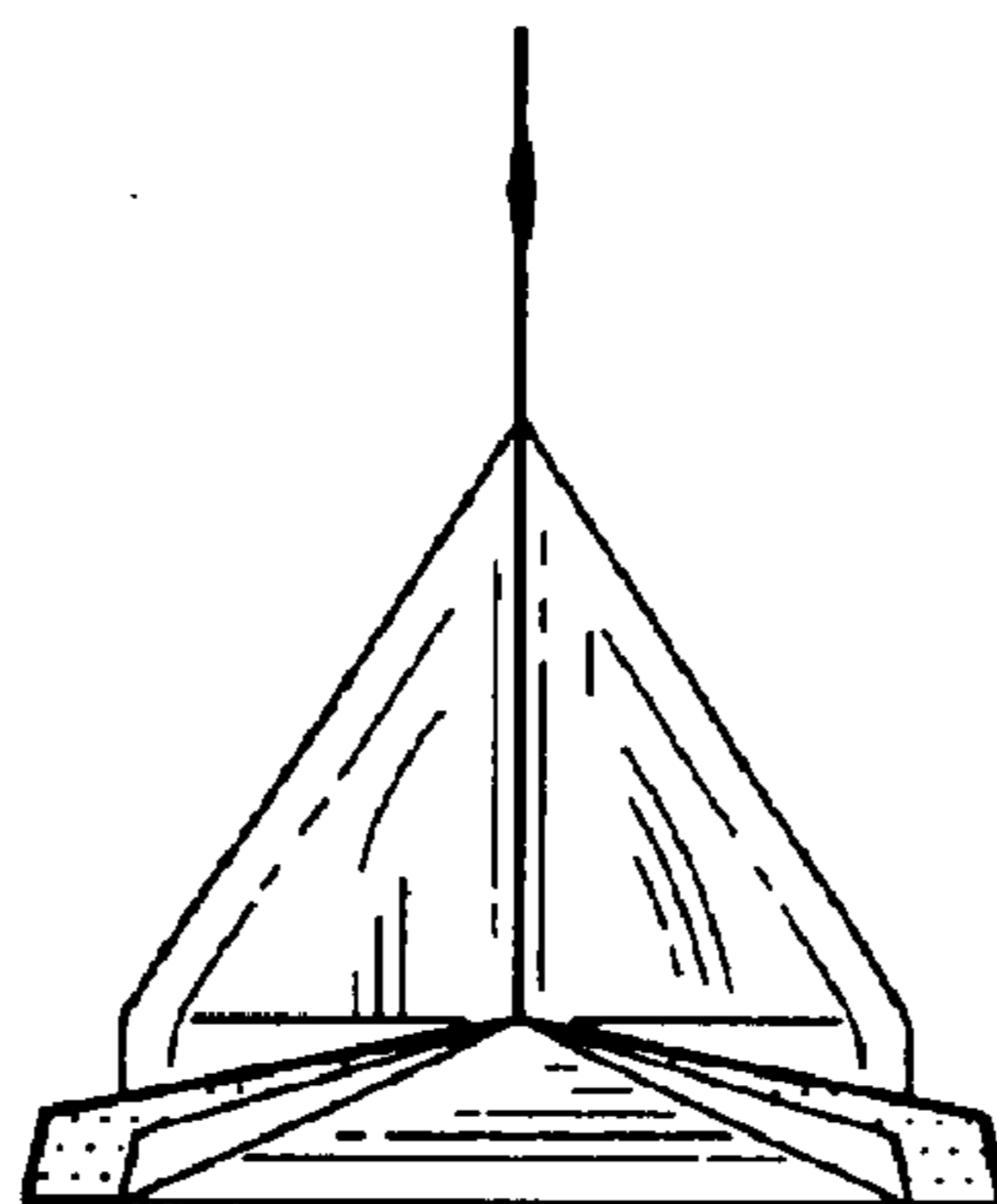


FIG. 4

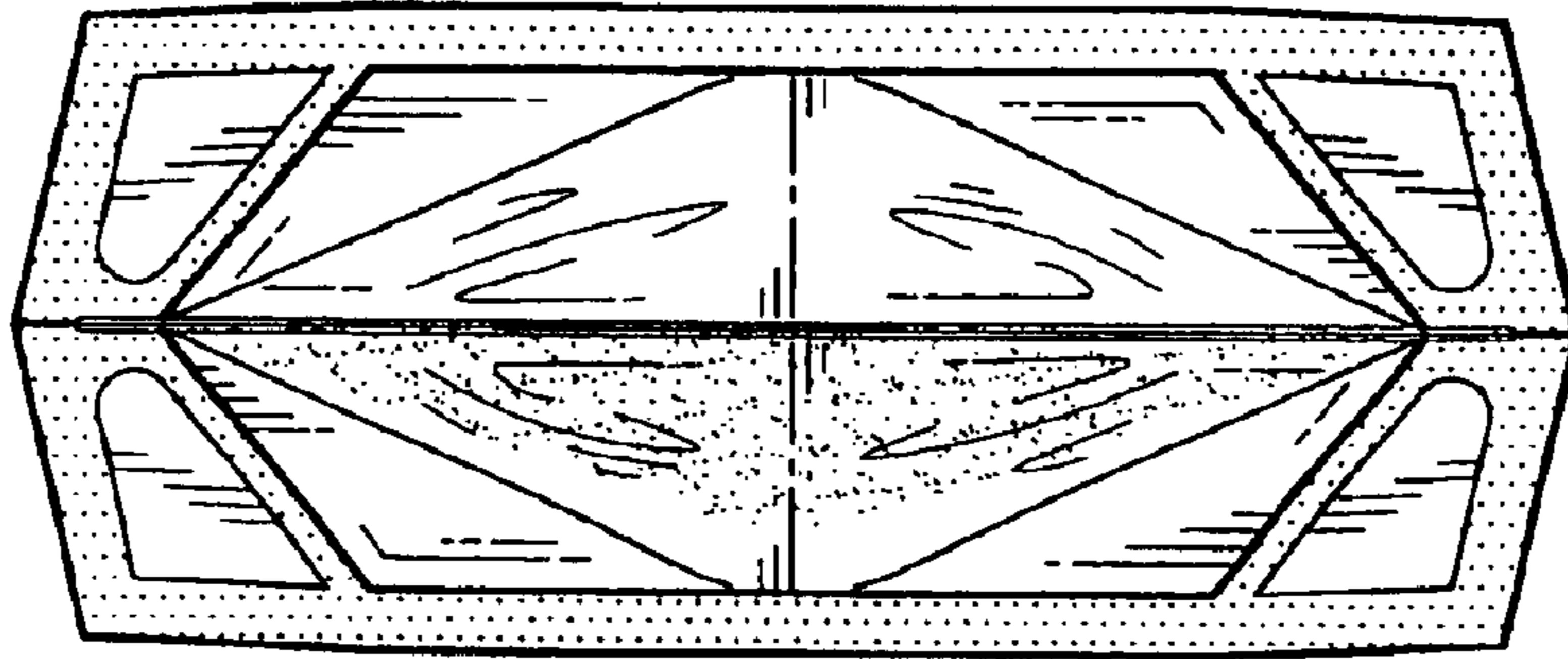


FIG. 5

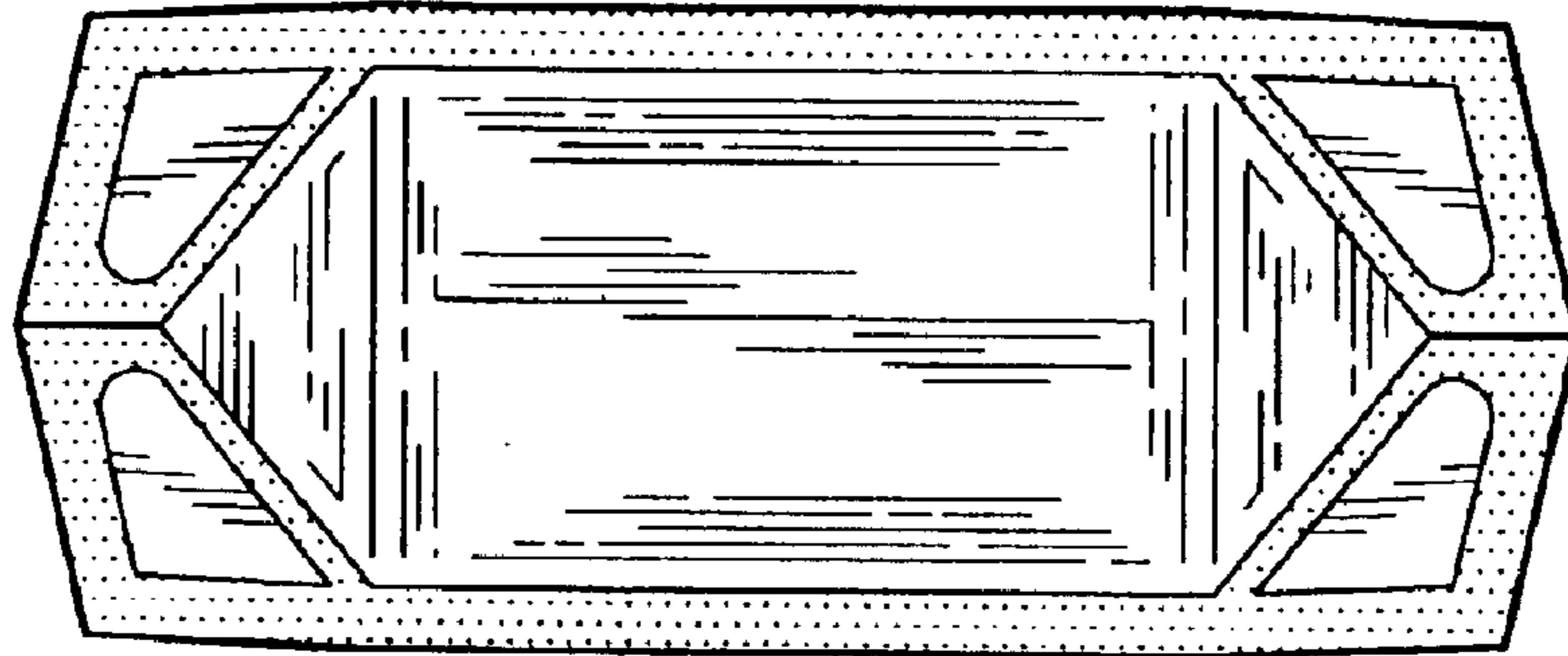


FIG. 6

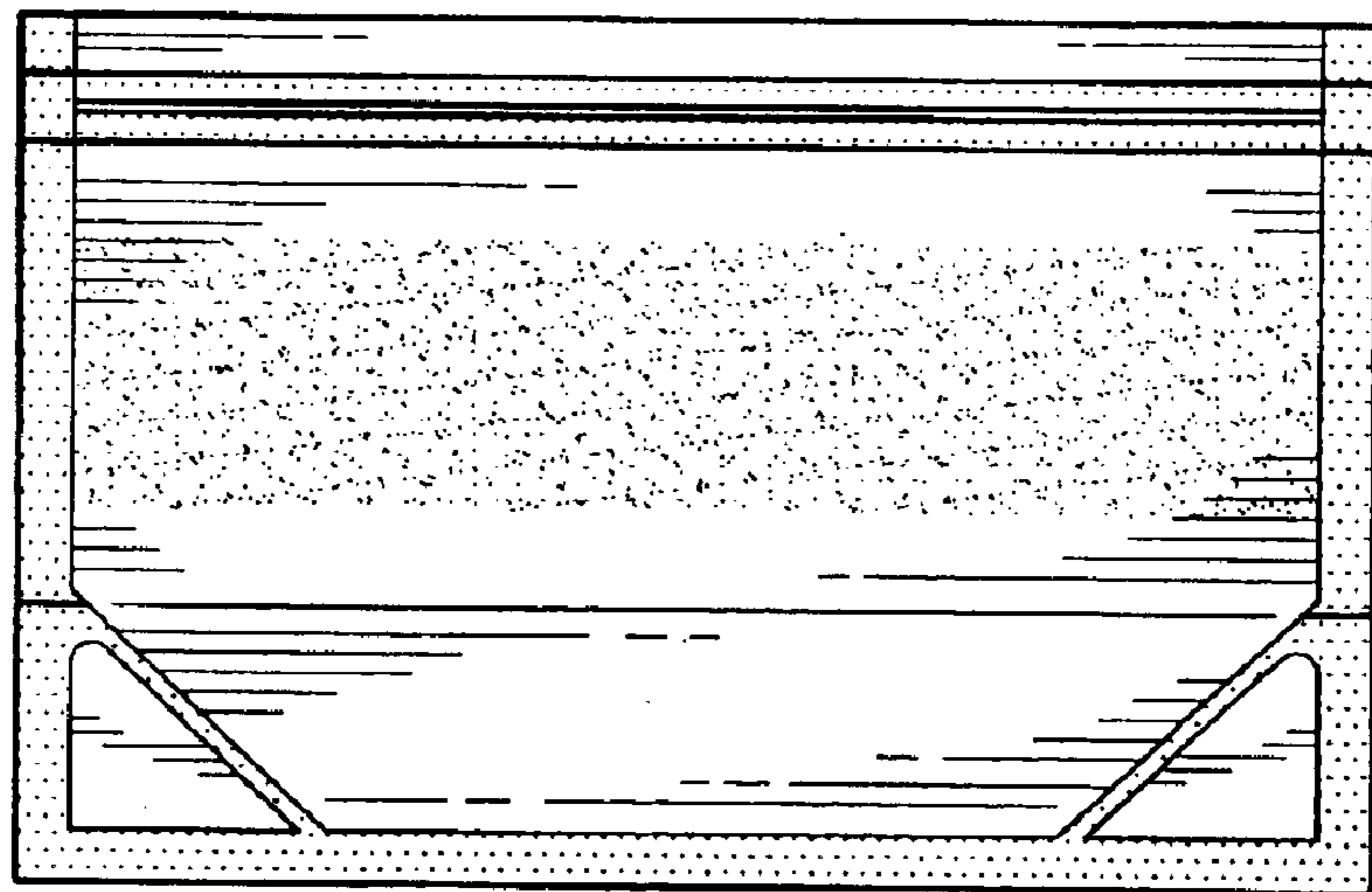


FIG. 7