

US00D501398S

(12) **United States Design Patent**
Tobolka

(10) **Patent No.:** **US D501,398 S**
(45) **Date of Patent:** **** Feb. 1, 2005**

- (54) **POUCH**
- (75) **Inventor:** **Stefan Tobolka, Mississauga (CA)**
- (73) **Assignee:** **L3 Container Corporation, Mississauga (CA)**
- (**) **Term:** **14 Years**
- (21) **Appl. No.:** **29/201,867**
- (22) **Filed:** **Mar. 23, 2004**

5,761,884 A	6/1998	Tobolka	
5,957,584 A	* 9/1999	Lakey	383/5
D425,409 S	* 5/2000	Gilliam	D9/305
6,164,042 A	12/2000	Tobolka	
D452,144 S	12/2001	Tedeschi, Jr. et al.	
D468,630 S	1/2003	Ambrose	

FOREIGN PATENT DOCUMENTS

FR	2 752 414 A	2/1998
GB	870 180 A	6/1961
GB	1 109 861 A	4/1968
WO	WO 01 25111 A	4/2001

* cited by examiner

Primary Examiner—Paula A. Greene

Related U.S. Application Data

- (62) Division of application No. 29/186,889, filed on Jul. 24, 2003.
- (51) **LOC (7) Cl.** **09-05**
- (52) **U.S. Cl.** **D9/305**
- (58) **Field of Search** D9/302, 305, 306; D24/115, 118, 207; 222/107, 491, 213; 383/5, 41-44, 53-54, 66-67, 95-96, 104, 107, 112, 118, 119, 210, 211, 904, 906; 169/44; D7/669; 229/104

(57) **CLAIM**

The ornamental design for a pouch, as shown and described.

DESCRIPTION

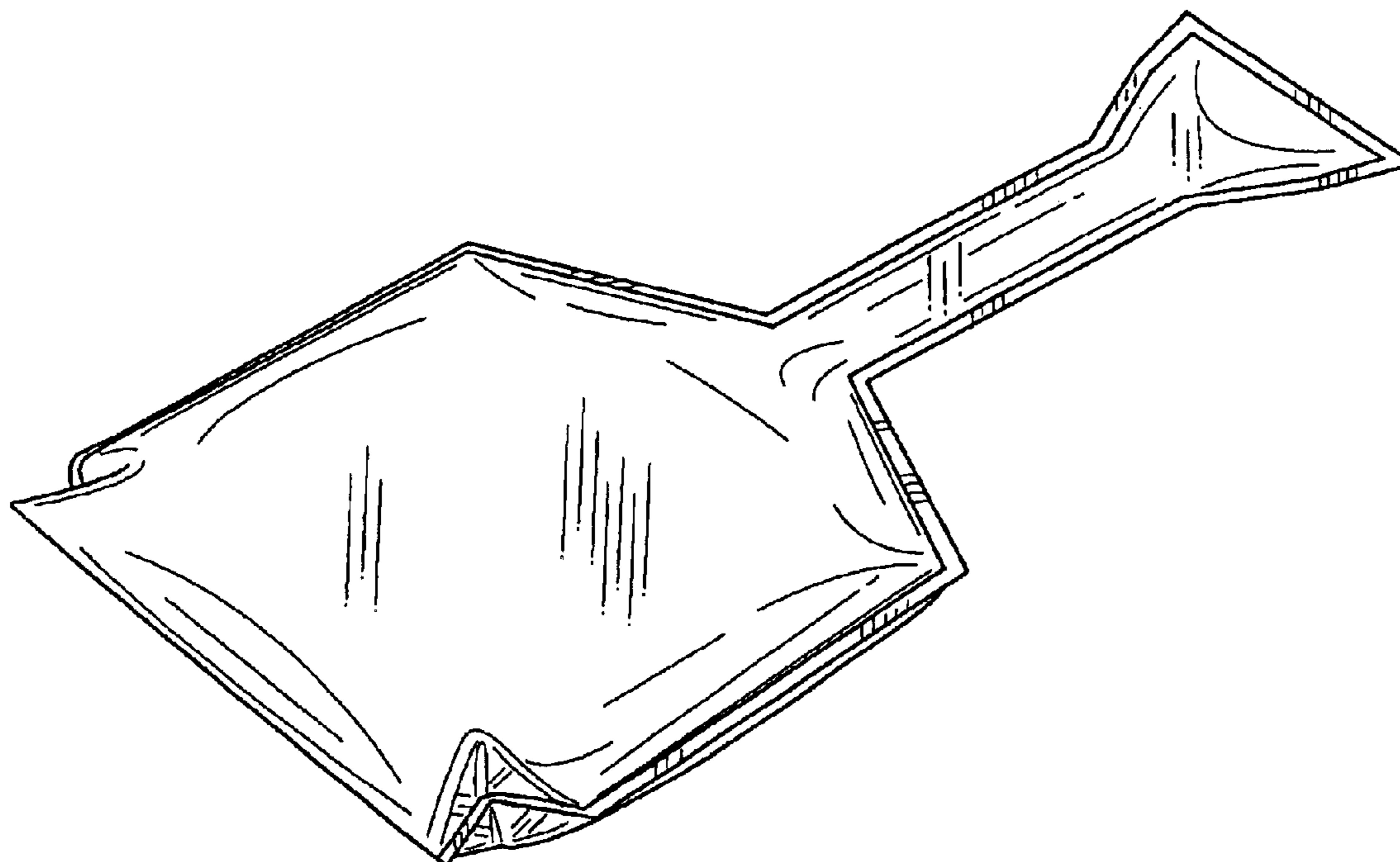
FIG. 1 is a top perspective view of the pouch; FIG. 2 is a bottom perspective view of the pouch of FIG. 1; FIG. 3 is a right side view of the pouch of FIG. 1; FIG. 4 is a bottom view of the pouch of FIG. 1; FIG. 5 is a left side view of the pouch of FIG. 1; FIG. 6 is a top view of the pouch of FIG. 1; FIG. 7 is a front view of the pouch of FIG. 1; and, FIG. 8 is a rear view of the pouch of FIG. 1. The portions of the pouch shown in broken line do not form part of the claimed design.

(56) **References Cited**

U.S. PATENT DOCUMENTS

3,182,728 A	* 5/1965	Zabriskie	169/44
3,184,121 A	* 5/1965	Volckening	222/213
D227,978 S	* 7/1973	MacManus	D7/669
3,815,794 A	* 6/1974	Carlisle	222/491
5,411,203 A	* 5/1995	Bochet et al.	229/104

1 Claim, 3 Drawing Sheets



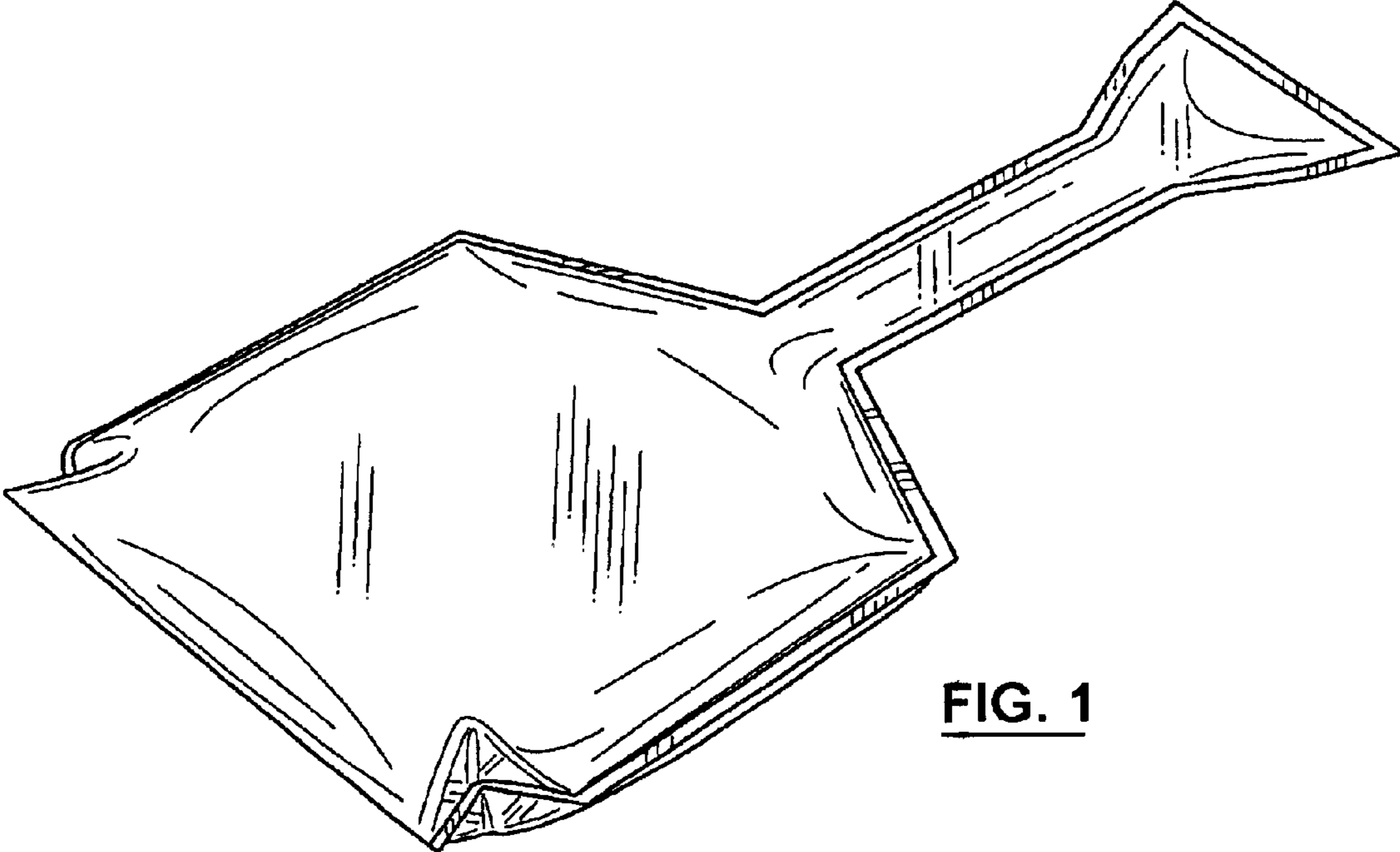


FIG. 1

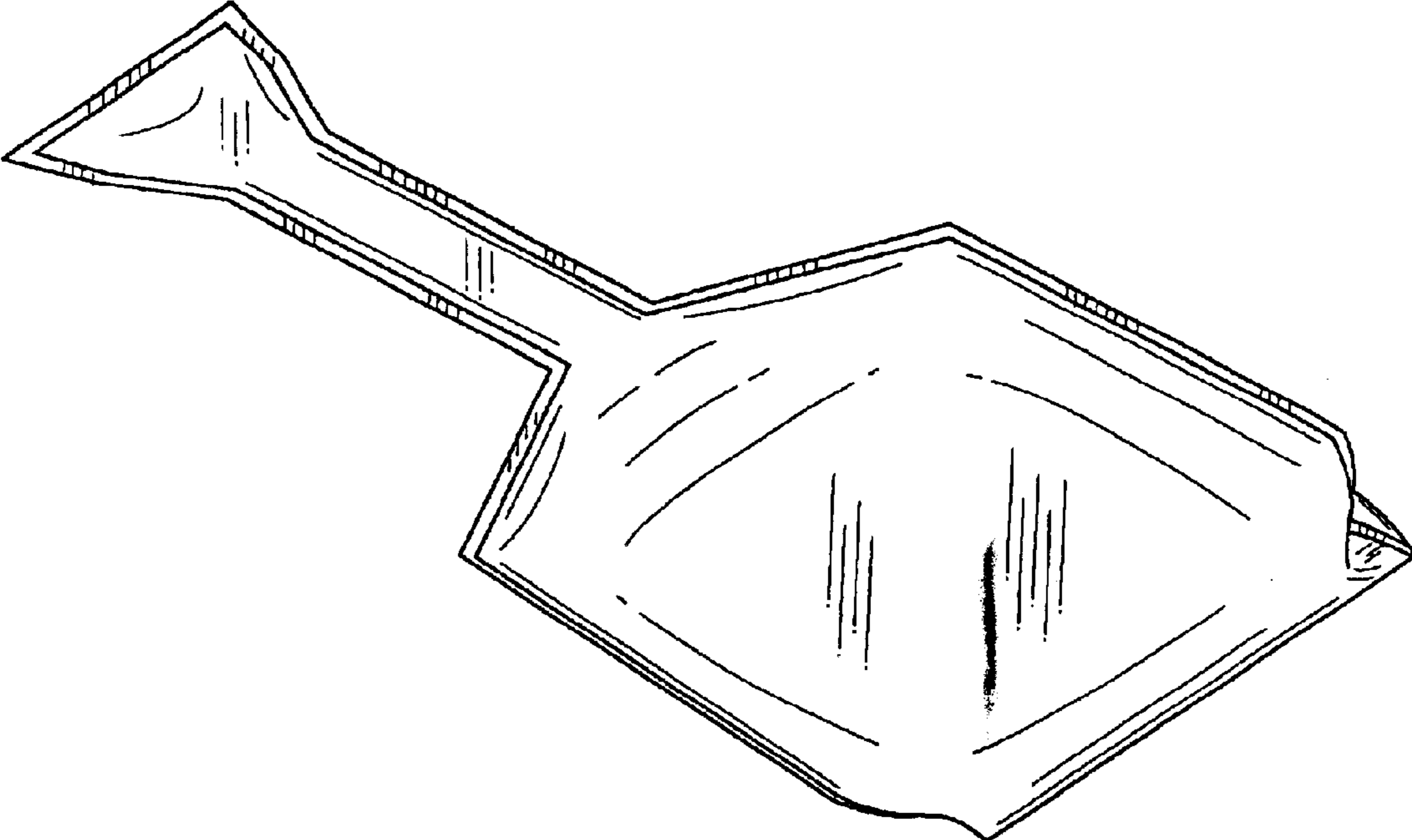


FIG. 2



FIG. 3



FIG. 4



FIG. 5



FIG. 6

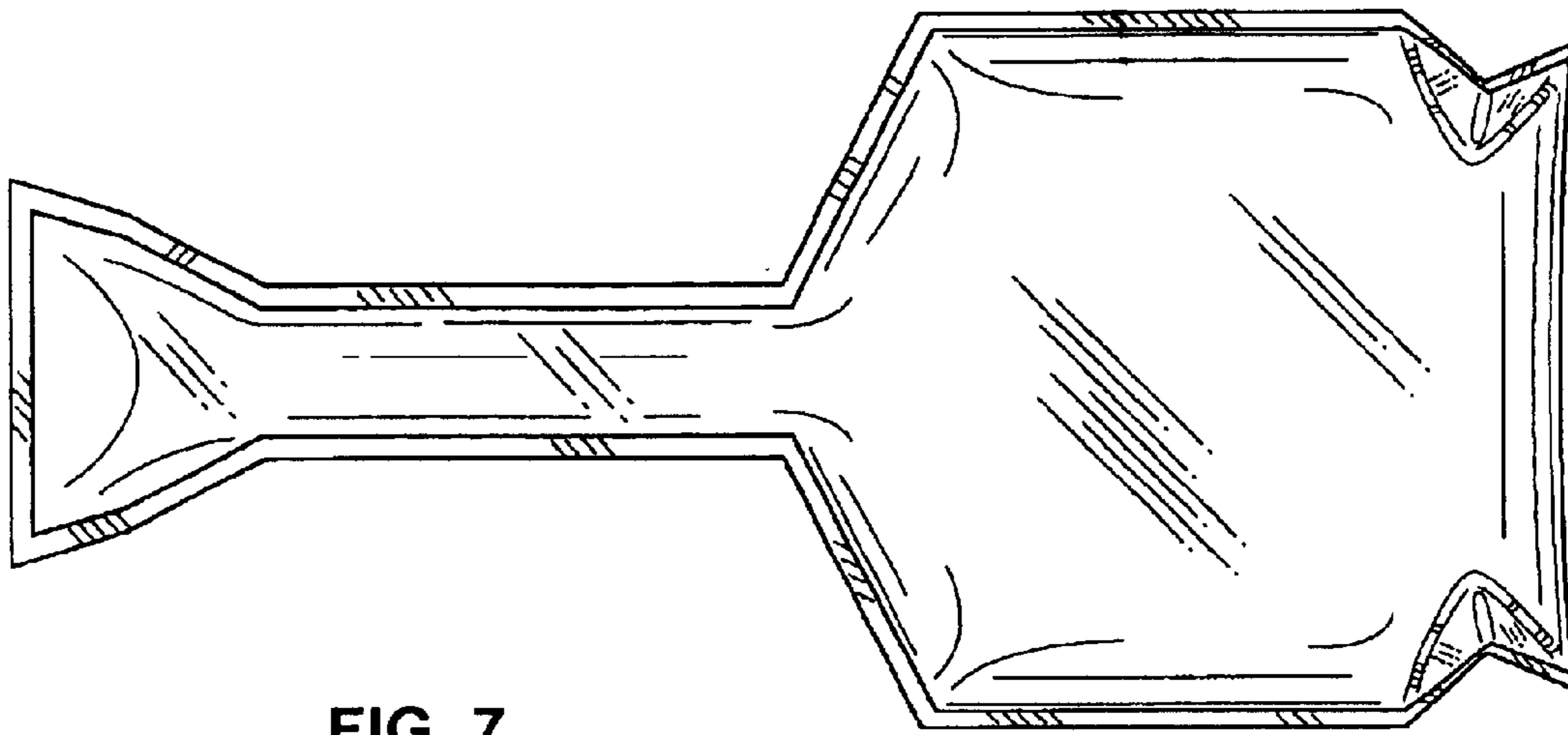


FIG. 7

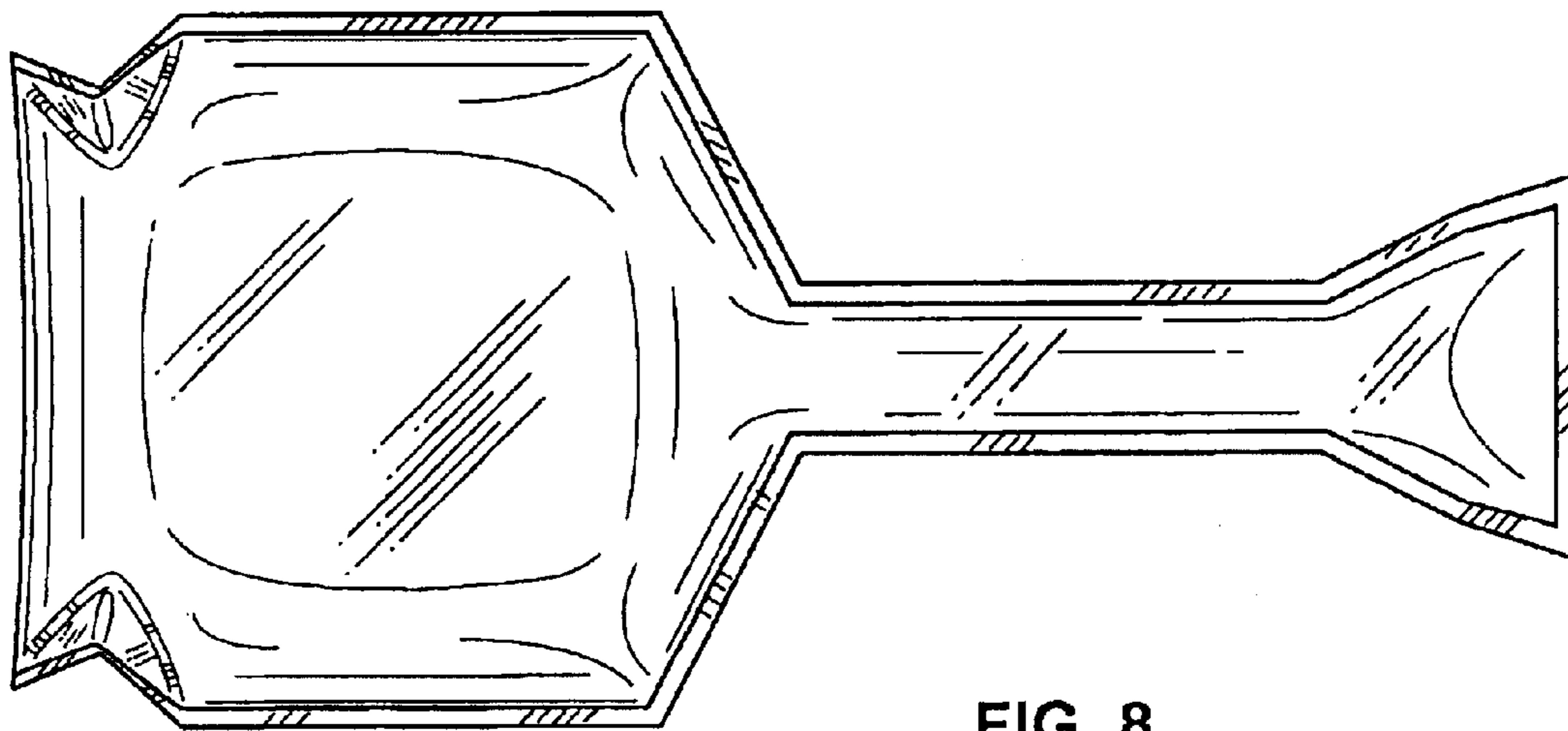


FIG. 8