

US00D501394S

(12) **United States Design Patent** (10) **Patent No.:** **US D501,394 S**
Franks, Jr. et al. (45) **Date of Patent:** **** Feb. 1, 2005**

- (54) **DROP WIRE CLAMP**
- (75) Inventors: **George J. Franks, Jr.**, Inverness, IL (US); **Isaac Jack Sachs**, Montreal (CA)
- (73) Assignee: **Senior Industries, Inc.**, Wood Dale, IL (US)
- (**) Term: **14 Years**
- (21) Appl. No.: **29/197,156**
- (22) Filed: **Jan. 12, 2004**

3,960,461 A	6/1976	Sachs	
4,407,471 A	10/1983	Wilmsmann et al.	
4,461,059 A	7/1984	Bury	
4,477,948 A	10/1984	Sachs	
4,542,562 A *	9/1985	Okura	24/136 R
4,592,117 A	6/1986	Ruehl et al.	
4,637,098 A *	1/1987	Okura et al.	24/136 R
4,738,006 A	4/1988	Juarez	
4,939,821 A *	7/1990	Frank, Jr.	24/136 R
5,050,273 A *	9/1991	Okura	24/136 R
5,121,525 A *	6/1992	Okura	24/136 R
5,142,745 A *	9/1992	Setty et al.	24/136 R
5,209,439 A *	5/1993	Coll	248/65
D342,439 S *	12/1993	Sachs	D8/356

Related U.S. Application Data

- (63) Continuation-in-part of application No. 10/225,923, filed on Aug. 22, 2002, now Pat. No. 6,732,981.
- (51) **LOC (7) Cl.** **08-05**
- (52) **U.S. Cl.** **D8/356**
- (58) **Field of Search** D8/354, 356, 394; 24/16 R, 115 M, 129 R, 136 R; 174/41, 43, 44, 65 R, 79, 168; 248/62, 65, 74.1, 74.2, 610; 403/371

(List continued on next page.)

FOREIGN PATENT DOCUMENTS

CA	460649	10/1949
GB	747691	4/1956

OTHER PUBLICATIONS

Thomas & Betts "Product Handbook" (1998) (pp. cover, 1, 20-23, 110-119, 142, and 143).

(List continued on next page.)

(56) **References Cited**

U.S. PATENT DOCUMENTS

116,632 A	7/1871	Riley	
1,205,496 A	11/1916	Whitehead	
1,390,152 A	9/1921	Miltner	
1,759,591 A *	5/1930	Pleister et al.	24/115 M
1,791,283 A *	2/1931	Pleister et al.	24/136 R
1,793,140 A	2/1931	Steinmayer	
1,859,561 A	5/1932	Haworth	
2,076,359 A *	4/1937	Bay	24/136 R
2,131,171 A	9/1938	Fotsch	
2,247,867 A	7/1941	Baumann	
2,418,885 A	4/1947	Houston	
2,466,083 A	4/1949	Crosby	
2,472,527 A *	6/1949	Gordon et al.	403/212
2,481,610 A	9/1949	Meighan	
2,781,212 A	2/1957	Jugle	
3,150,539 A *	9/1964	Wallis, Jr.	74/502.4
3,309,475 A	3/1967	Butler, Jr.	
3,629,909 A *	12/1971	Riley	403/371

Primary Examiner—Joel Sincavage
Assistant Examiner—Elizabeth Albert
(74) *Attorney, Agent, or Firm*—Fitch, Even, Tabin & Flannery

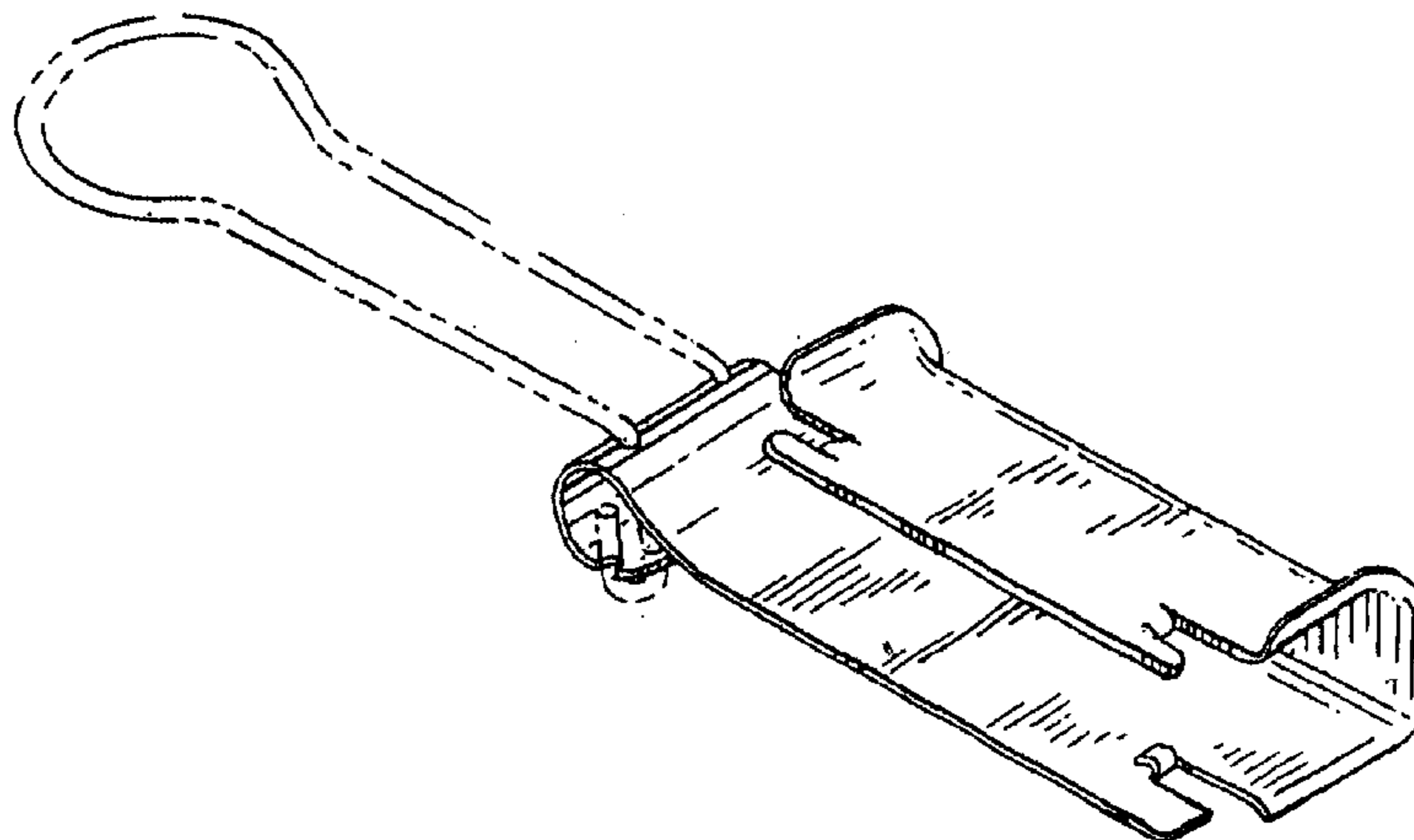
(57) **CLAIM**

We claim the ornamental design for a drop wire clamp, as shown and described.

DESCRIPTION

FIG. 1 is a perspective view of a drop wire clamp according to our new design, the broken lines of which are for illustrative purposes only and form no part of the claimed design; and,
FIG. 2 is a side elevational view of the drop wire clamp of FIG. 1.

1 Claim, 1 Drawing Sheet



U.S. PATENT DOCUMENTS

D342,664	S	*	12/1993	Sachs	D8/356
D344,445	S	*	2/1994	Sachs	D8/356
5,322,132	A	*	6/1994	Franks, Jr.	174/41
D454,483	S	*	3/2002	Wolf	D8/394
6,401,309	B1		6/2002	Yang		
6,581,251	B2	*	6/2003	Malin	24/136 R
2004/0035984	A1	*	2/2004	Franks et al.	248/74.1

OTHER PUBLICATIONS

Sachs Communications Inc., product brochure (1995) (pp. cover, 2, 3, 30–33, 40, 41, 44–47, 56–59, 70, 71, and page numbers unreadable).
 Sachs Canada Inc., product literature entitled “DH–1” (1991) (1 page).
 Sachs Canada Inc., product literature entitled “Dead–End House Attachment” (1991) (1 page).
 Sachs Canada Inc., product literature entitled “Sax Info Industry & Product News” for “Universal Messenger Drop Clamp SC02MFA” (1993) (1 page).
 Sachs Canada Inc., product literature entitled “SC02MFA Drop Clamp Application” (1993) (1 page).
 Diamond/Sachs Communications Inc., product literature entitled “SC02MFA–2SS Application Procedures” (date prior to Aug. 22, 2001) (1 page).

Sachs Canada Inc., product literature entitled “SC02MF Messenger Drop Clamp Application” (1991) (1 page).
 Sachs Canada Inc., product literature entitled “SC02 Non–Messenger Drop Clamp Application” (1991) (1 page).
 Sachs Communications Inc., product literature entitled “Universal Drop Wire Clamp SC02–TAC” (date prior to Aug. 22, 2001) (1 page).
 Sachs product literature entitled “SC02–TAC Application” (date prior to Aug. 22, 2001) (1 page).
 Sachs Canada Inc., product literature entitled “DH–13” (1991) (1 page).
 Sachs Canada Inc., product literature entitled “Span Clamp Attachment Using Non–Messengered Drop” (1991) (1 page).
 Sachs Canada Inc., product literature entitled “Sachs Drop Suspension System” (1993) (1 page).
 Senior Industries product literature entitled “Drop Wire Clamps” (date prior to Aug. 22, 2001) (1 page).
 Senior Industries product literature entitled “Station Ground Clamp–Drop Wire Clamp” (date prior to Aug. 22, 2001) (1 page).

* cited by examiner

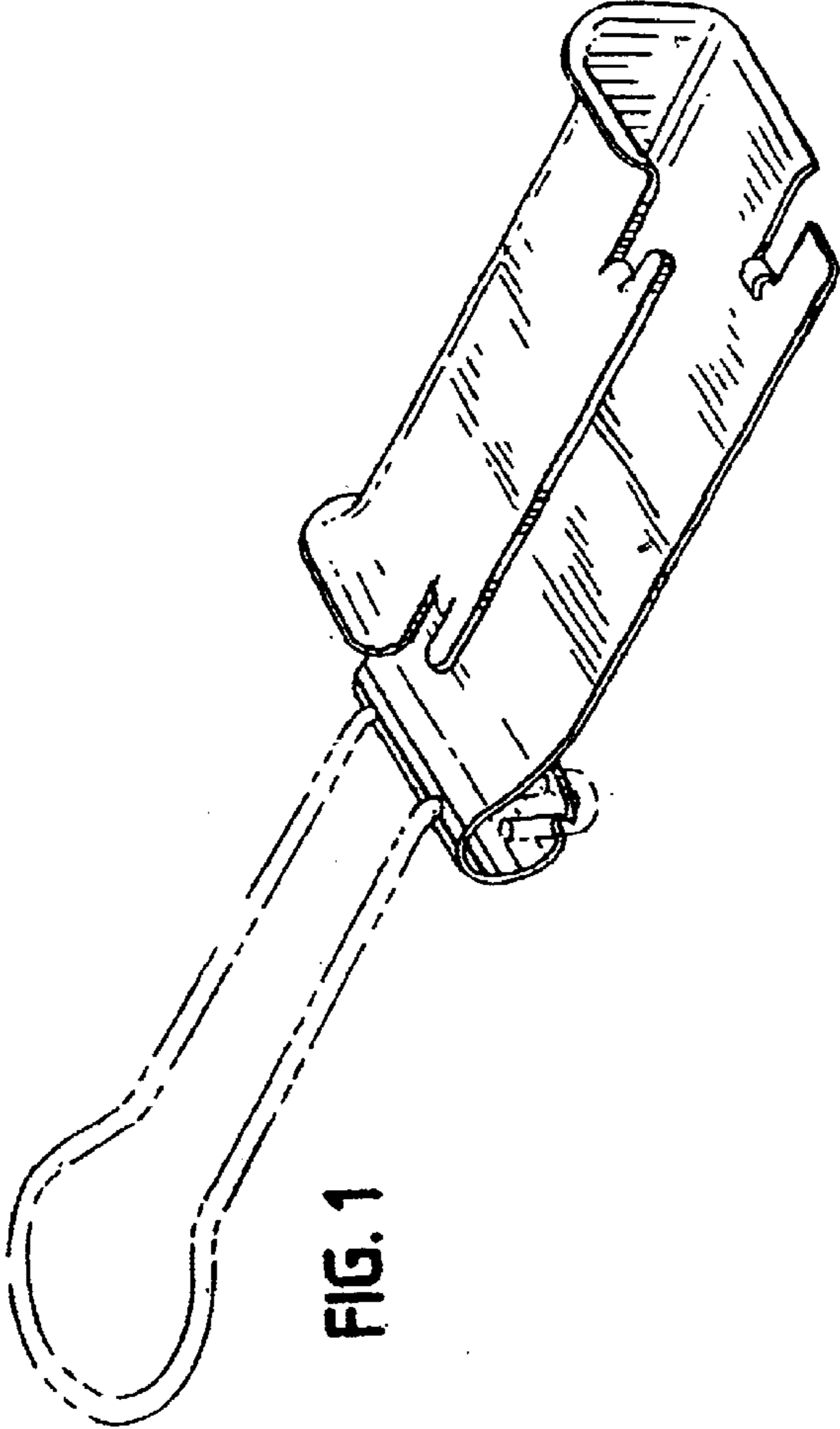


FIG. 1

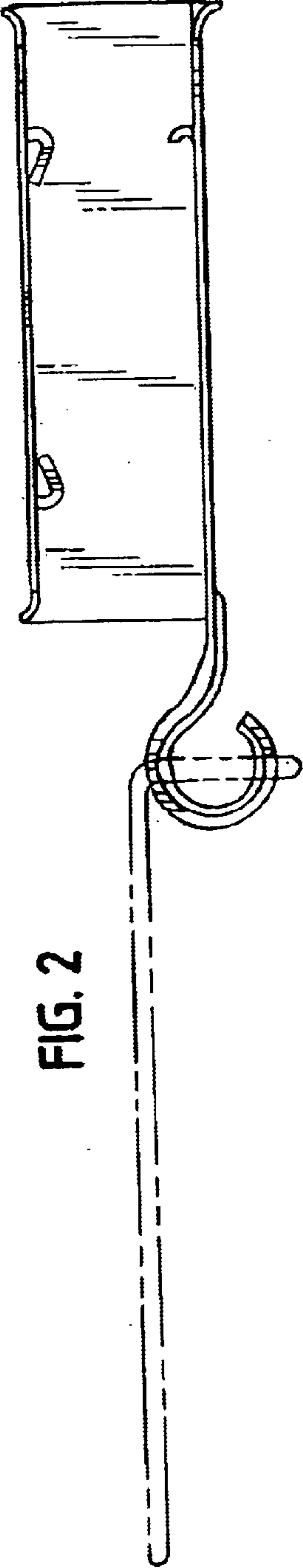


FIG. 2