

US00D501390S

(12) **United States Design Patent**
Fields

(10) **Patent No.:** **US D501,390 S**

(45) **Date of Patent:** **** Feb. 1, 2005**

(54) **KNOB**
(75) **Inventor:** **Betsy Fields, Silverton, CO (US)**

D411,795 S * 7/1999 O'Neil D8/307
D442,055 S * 5/2001 Dewald et al. D8/310
D445,016 S * 7/2001 Dewald et al. D8/307

(73) **Assignee:** **Liberty Hardware Mfg. Corp.,
Winston-Salem, NC (US)**

* cited by examiner

(**) **Term:** **14 Years**

Primary Examiner—Paula A. Greene
(74) *Attorney, Agent, or Firm*—Edgar A. Zarins; Lloyd D. Doigan

(21) **Appl. No.:** **29/159,681**

(22) **Filed:** **Apr. 26, 2002**

(57) **CLAIM**

The ornamental design for a knob, as shown and described.

(51) **LOC (7) Cl.** **08-06**

(52) **U.S. Cl.** **D8/310**

(58) **Field of Search** D8/300–302, 305,
D8/307, 310, 341; 16/110.1, 414, 417,
441; 292/347; D23/250–254

DESCRIPTION

FIG. 1 is a front face view of a knob showing my new design; and,

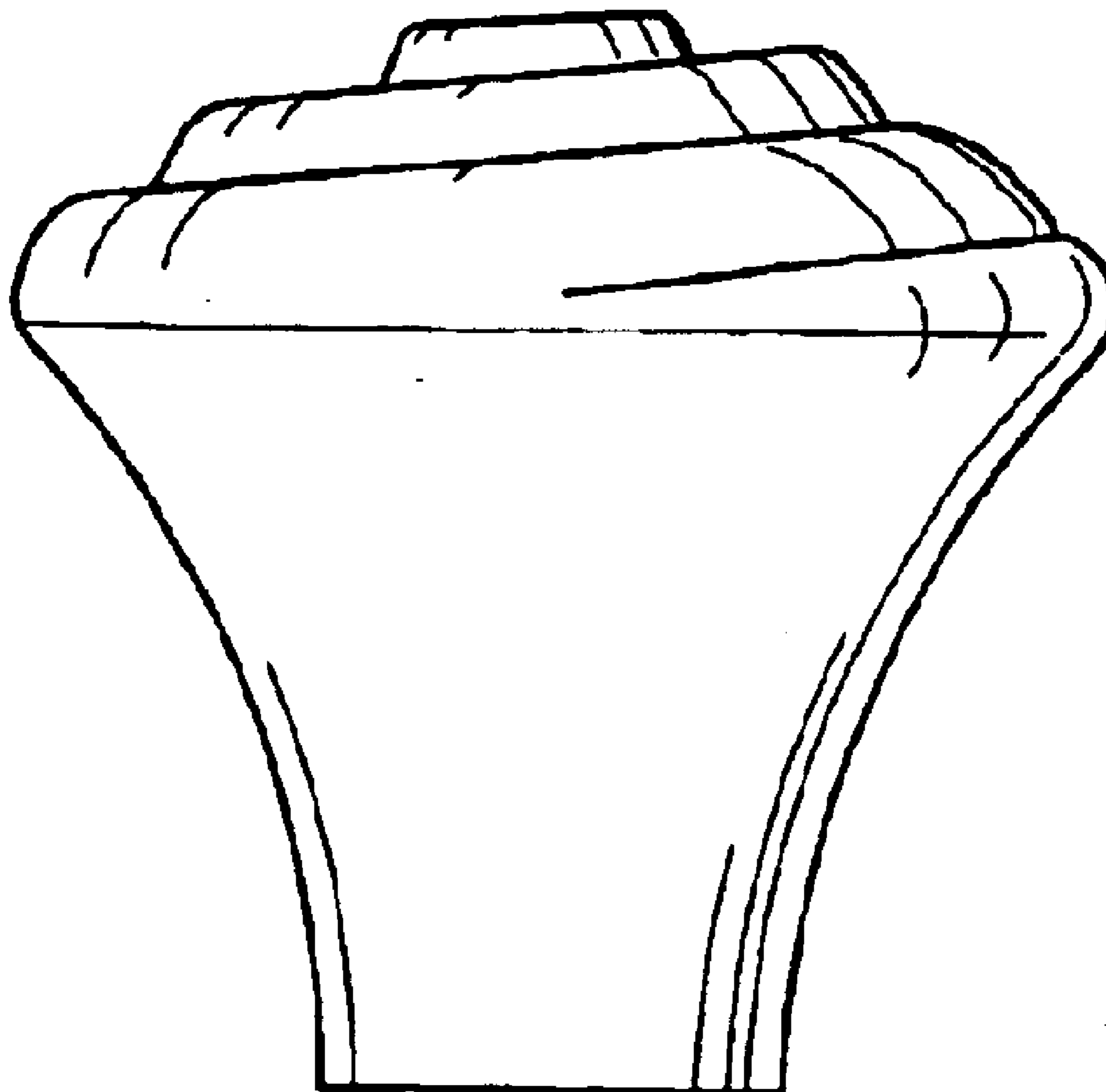
FIG. 2 is a side view thereof.

(56) **References Cited**

U.S. PATENT DOCUMENTS

D206,521 S * 12/1966 Bottom D8/310

1 Claim, 1 Drawing Sheet



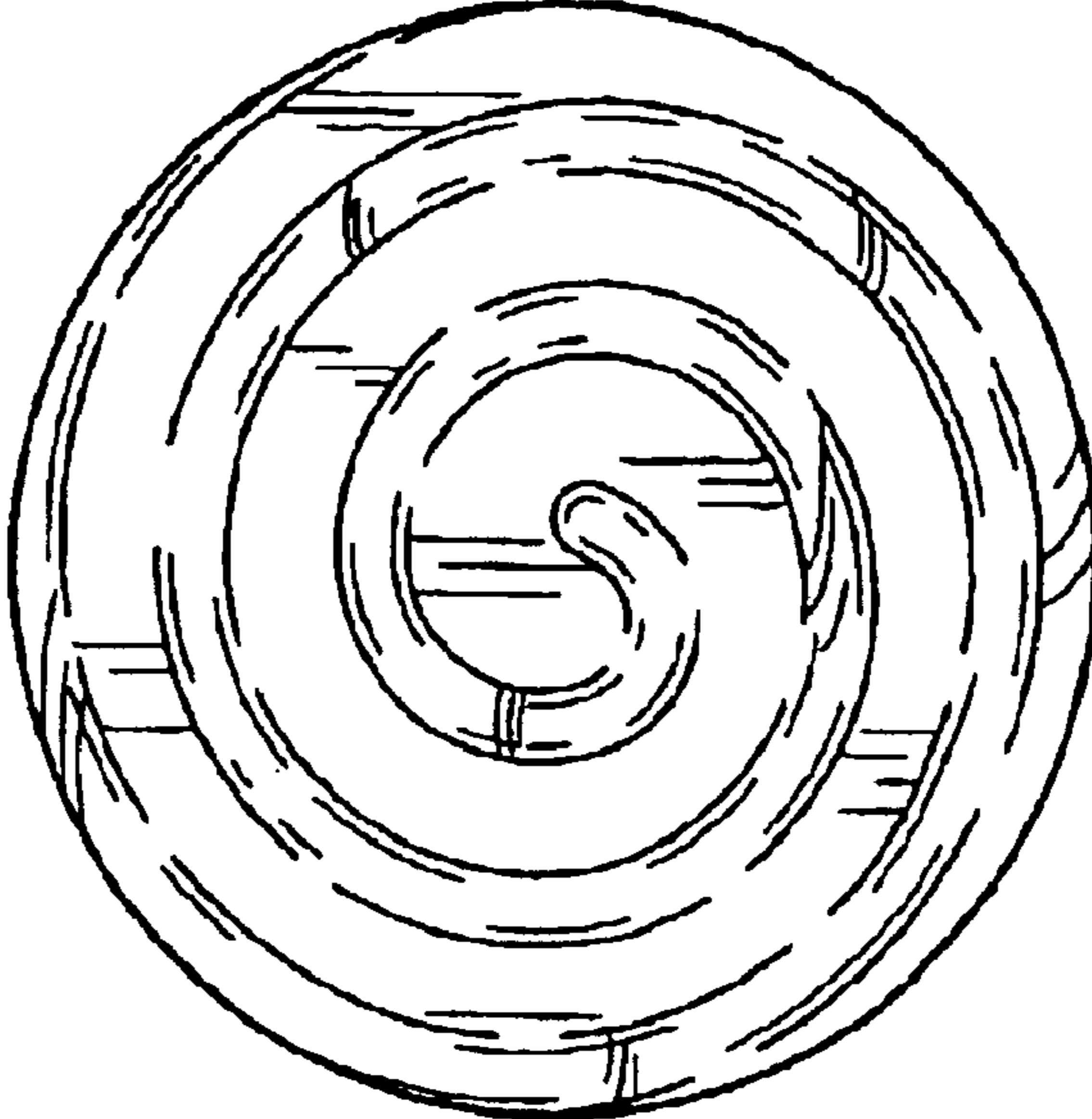


Fig-1

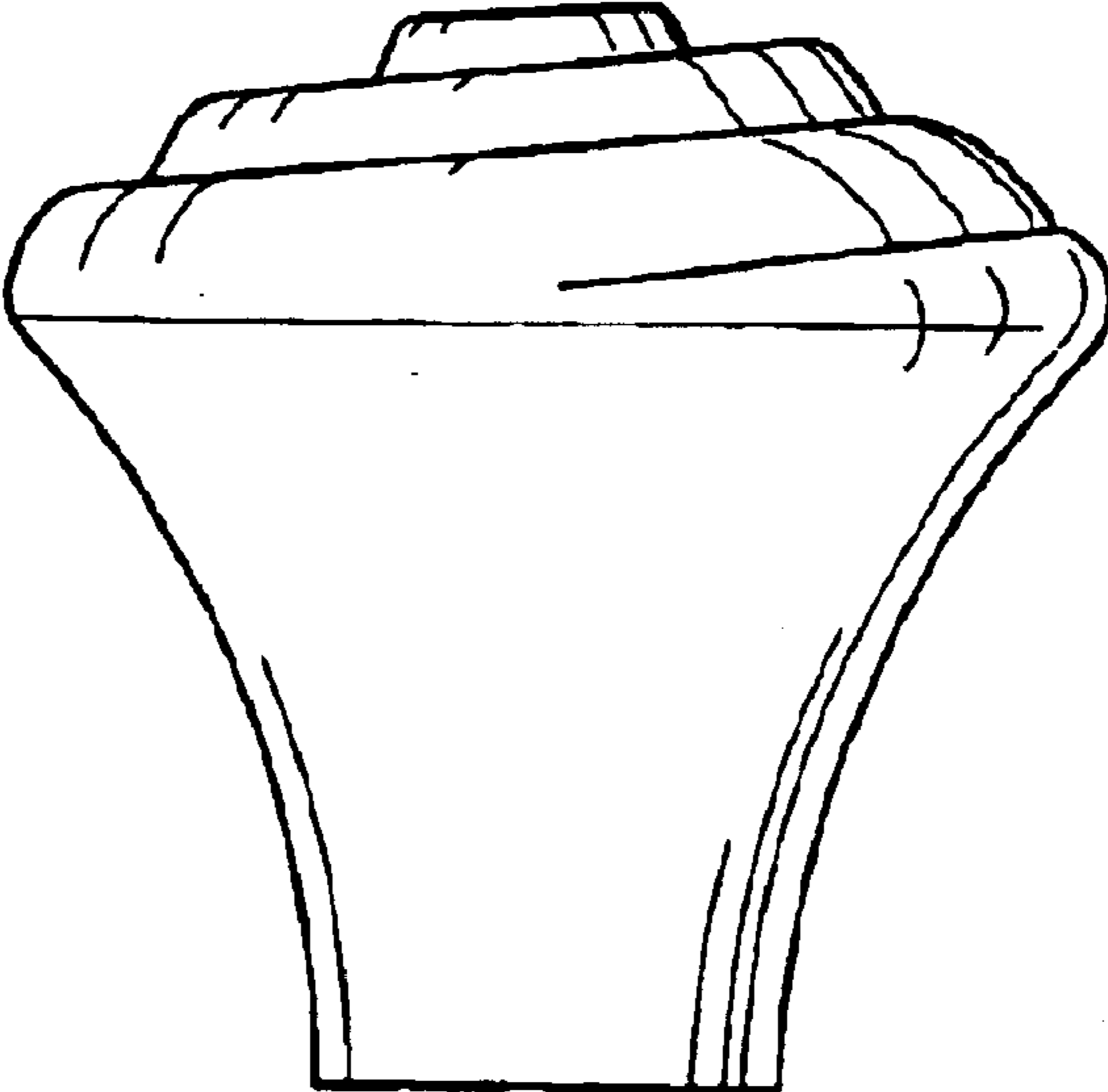


Fig-2