

US00D501388S

(12) **United States Design Patent**
Carpintero

(10) **Patent No.: US D501,388 S**
(45) **Date of Patent: ** Feb. 1, 2005**

(54) **ELECTRONIC DOOR LOCK**

D452,807 S 1/2002 Gartner

(75) **Inventor: Carlos Carpintero, St-Laurent (CA)**

OTHER PUBLICATIONS

(73) **Assignee: Kaba Ilco Inc., Montreal (CA)**

SolitaireSmart at: www.kaba-ilco.com/products/access_controls/solitairesmart.asp.

(**) **Term: 14 Years**

Solitaire 710-11 at: www.kaba-ilco.com/products/access_controls/solitaire_710.11.asp.

(21) **Appl. No.: 29/165,570**

4000 Series Found at: www.kaba-ilco.com/products/access_controls/4000.asp.

(22) **Filed: Aug. 13, 2002**

Kaba Ilco Inc., "Access Control Solutions," Sales Brochure, Montreal, Canada—Oracode 4400—p. 4, Solitaire—p. 6, Solitaire Smart—p. 8.

(51) **LOC (7) Cl. 08-07**

(52) **U.S. Cl. D8/301**

(58) **Field of Search** D8/300, 301-302,
D8/306-307, 308, 330, 331, 343, 353;
235/382, 382.5; 292/228, 356, 357; 70/149,
277, 283

Kaba Ilco Inc. "Stand Alone Access Control Systems" Sales Brochure, Montreal, Canada—Solitaire 850L—p. 6, Solitaire 850—p. 8, Solitaire 950—p. 10, Solitaire Prox—p. 12.

* cited by examiner

(56) **References Cited**

Primary Examiner—Paula A. Greene

U.S. PATENT DOCUMENTS

(57) **CLAIM**

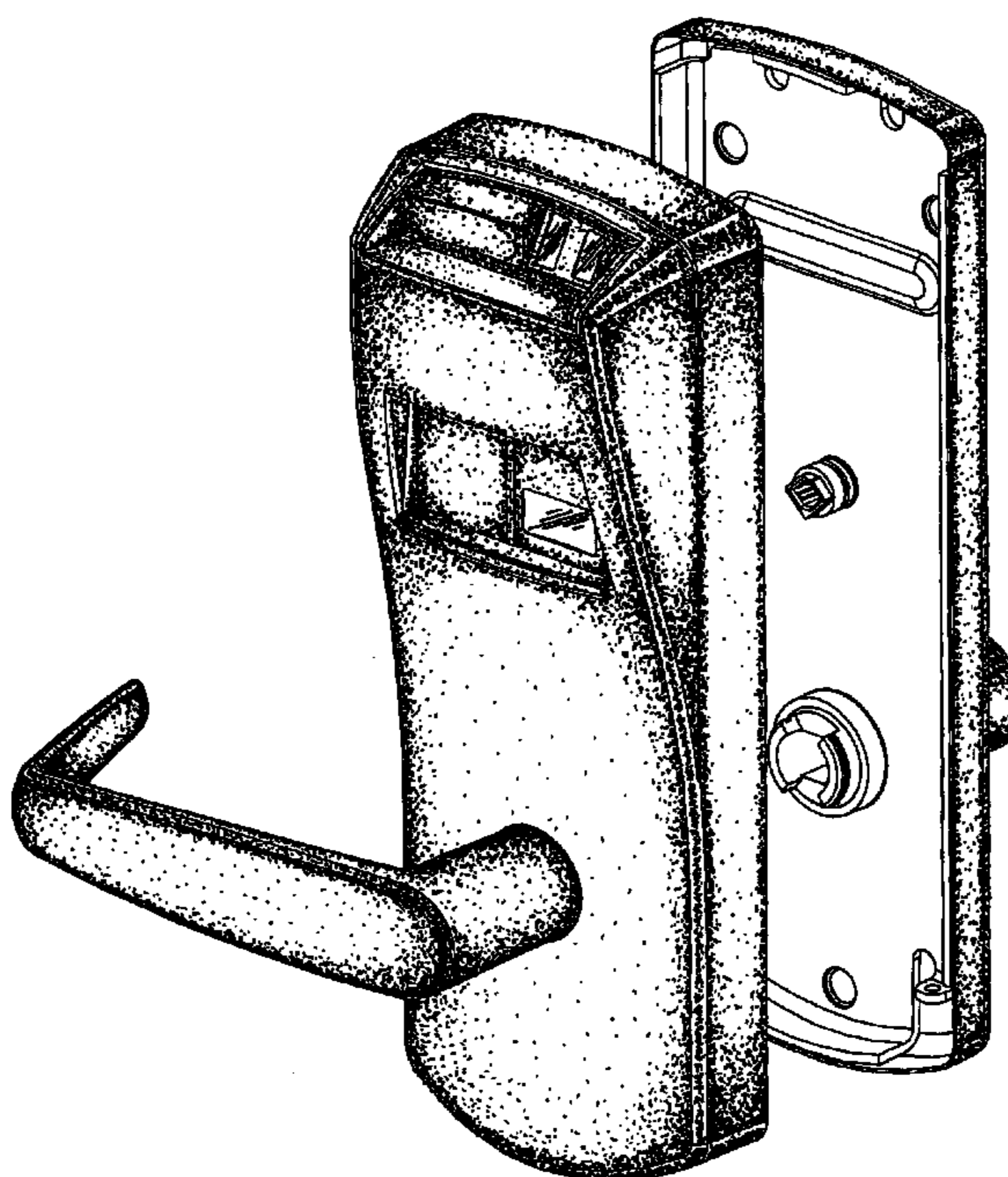
3,107,113	A	*	10/1963	Sconzo	292/228
D271,374	S		11/1983	Butts		
4,616,491	A		10/1986	Genest		
D288,899	S		3/1987	Floyd et al.		
D290,442	S		6/1987	Floyd et al.		
D299,905	S		2/1989	Fish et al.		
D300,300	S		3/1989	Goldberg et al.		
D305,861	S		2/1990	Kautt		
4,956,984	A		9/1990	Chi-Cheng		
5,198,643	A		3/1993	Miron et al.		
D353,530	S		12/1994	Gartner		
5,475,996	A	*	12/1995	Chen	70/279.1
5,477,041	A		12/1995	Miron et al.		
D365,976	S		1/1996	Chiu		
5,640,863	A		6/1997	Frozov		
6,145,353	A		11/2000	Doucet		

The ornamental design for an electronic door lock, as shown and described.

DESCRIPTION

FIG. 1 is a front perspective view of a electronic door lock showing my new design.
FIG. 2 is a front elevational view thereof.
FIG. 3 is a rear elevational view thereof.
FIG. 4 is a left elevational view thereof.
FIG. 5 is a right elevational view thereof.
FIG. 6 is a top plan view thereof.
FIG. 7 is a bottom plan view thereof; and,
FIG. 8 is a rear perspective view thereof.

1 Claim, 8 Drawing Sheets



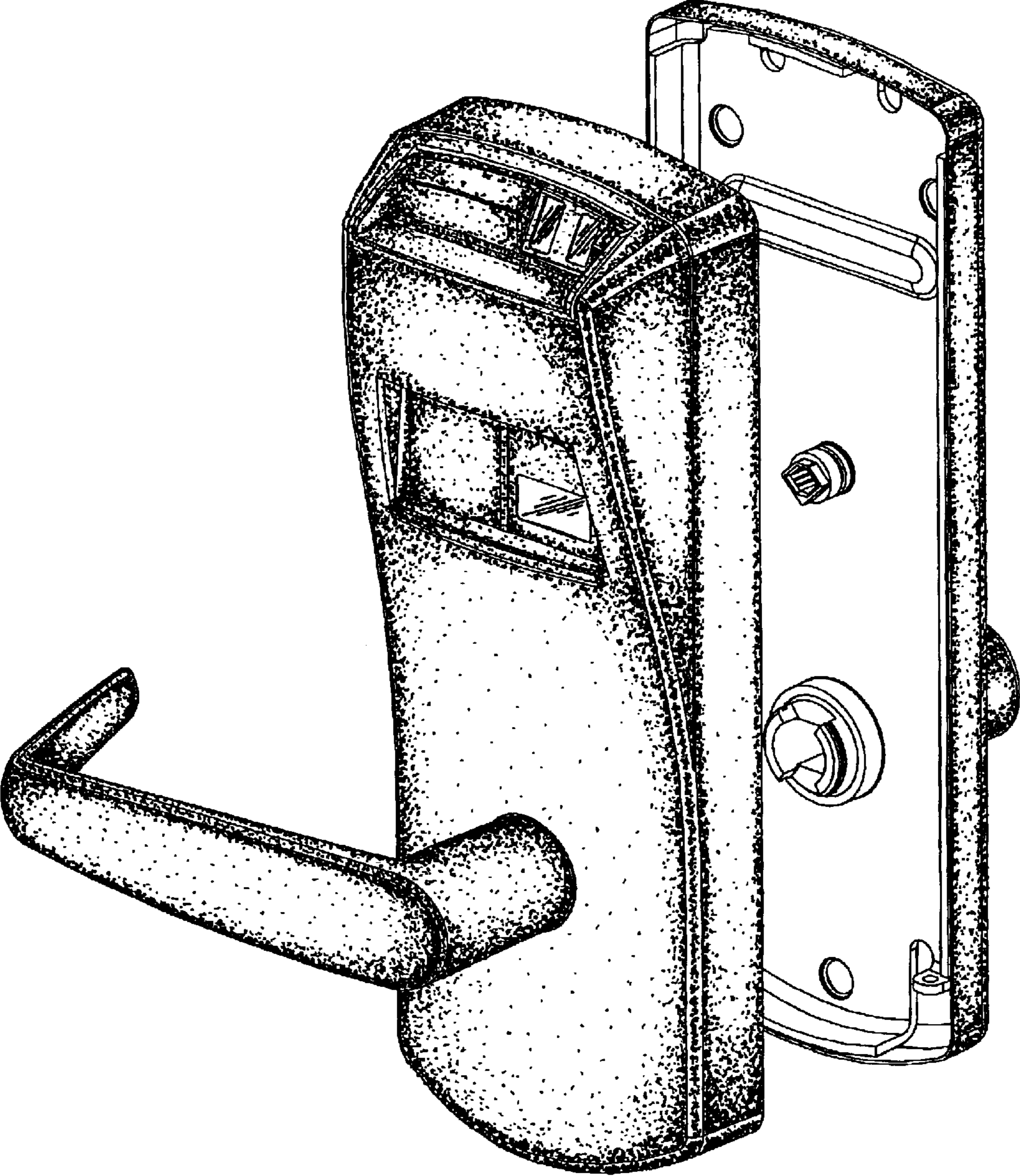


FIG.1

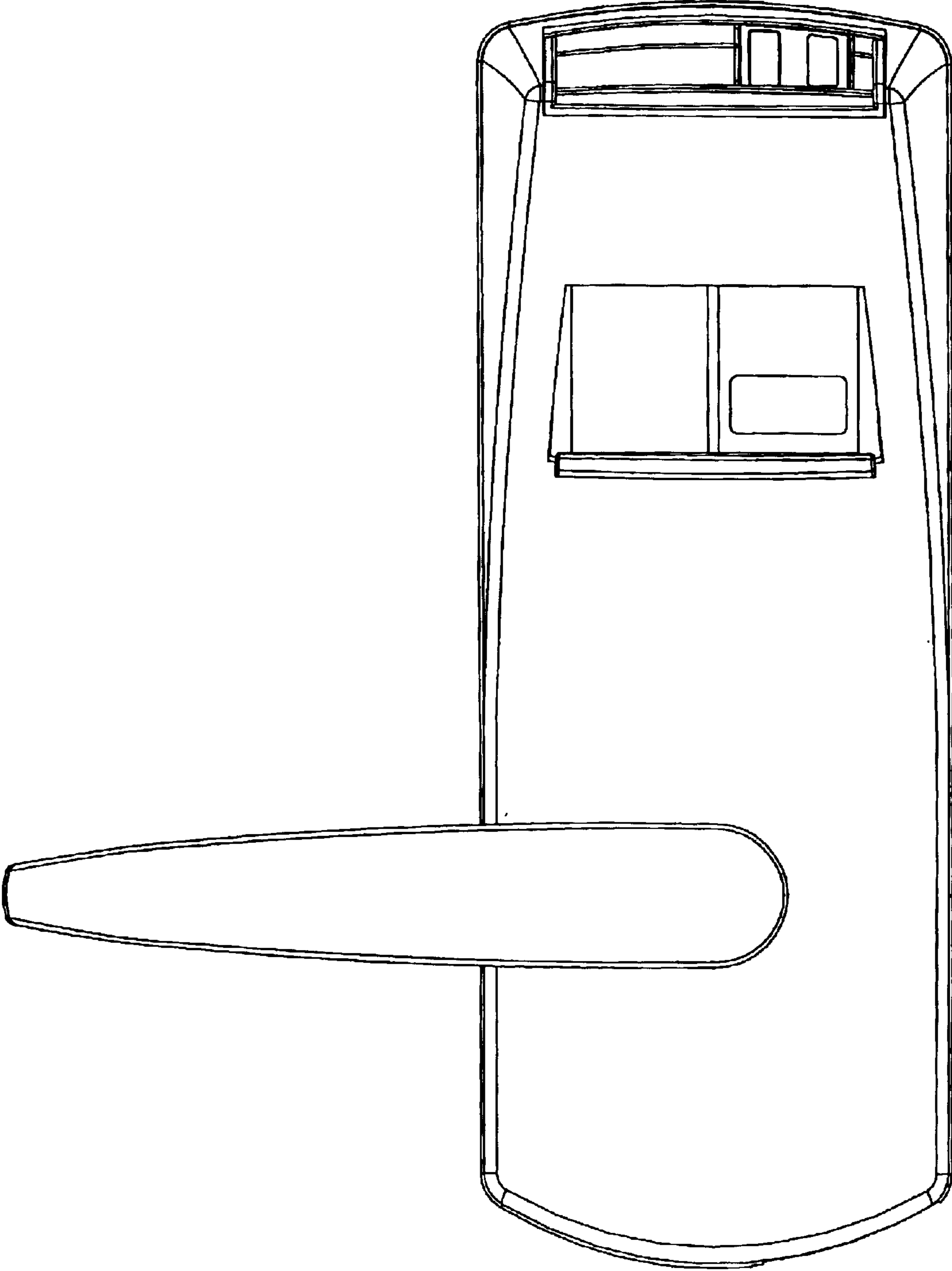


FIG.2

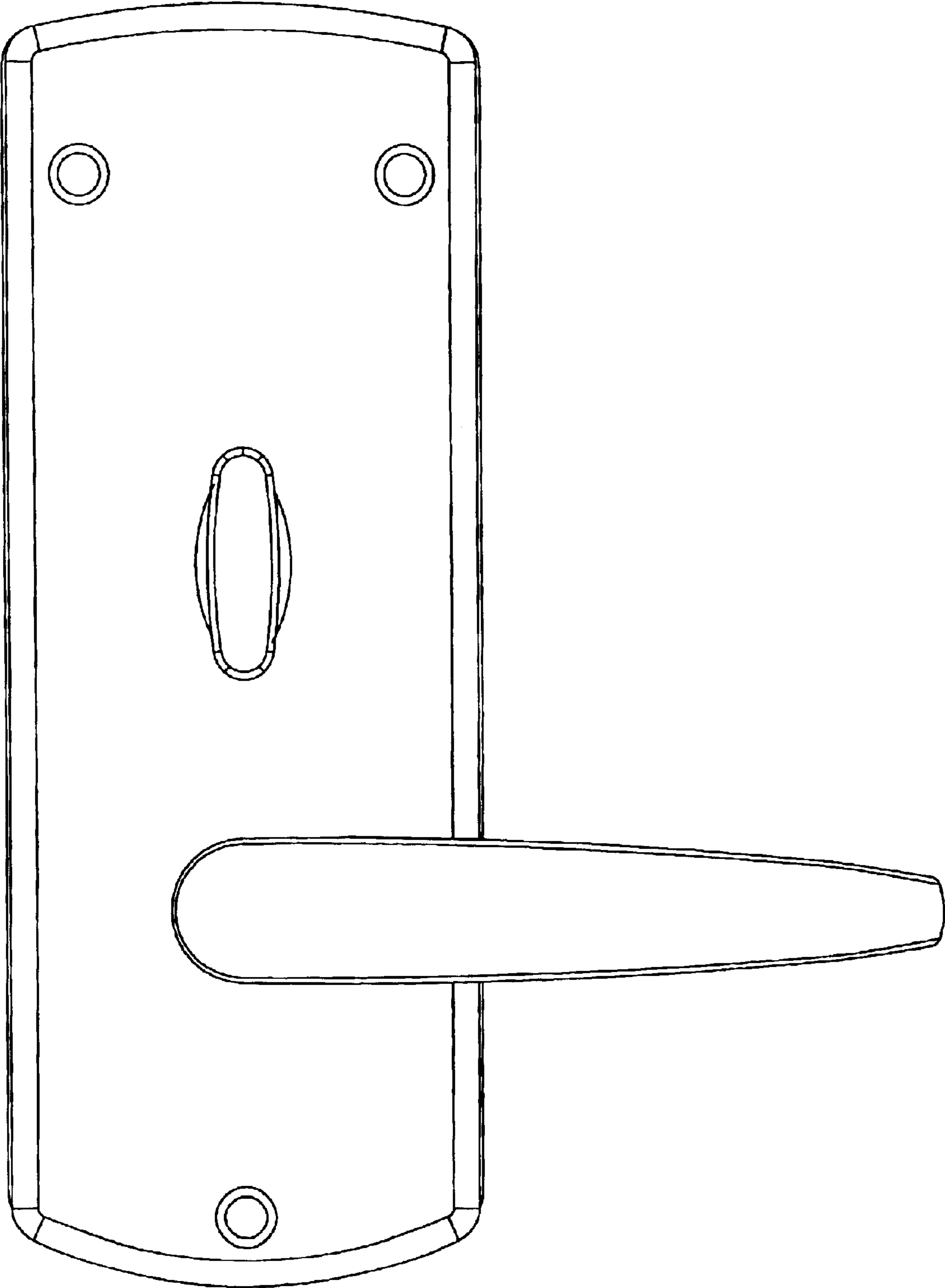


FIG.3

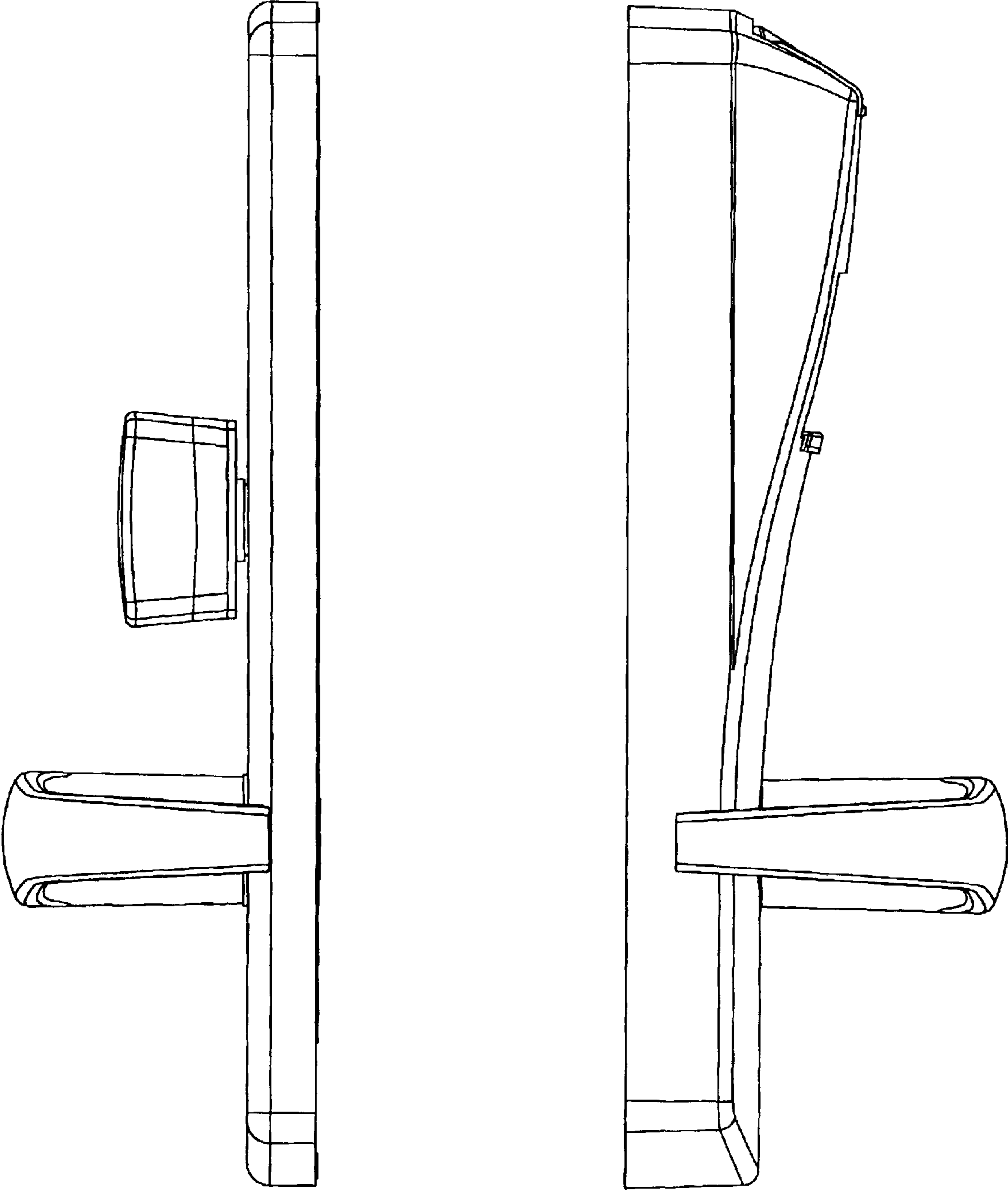


FIG.4

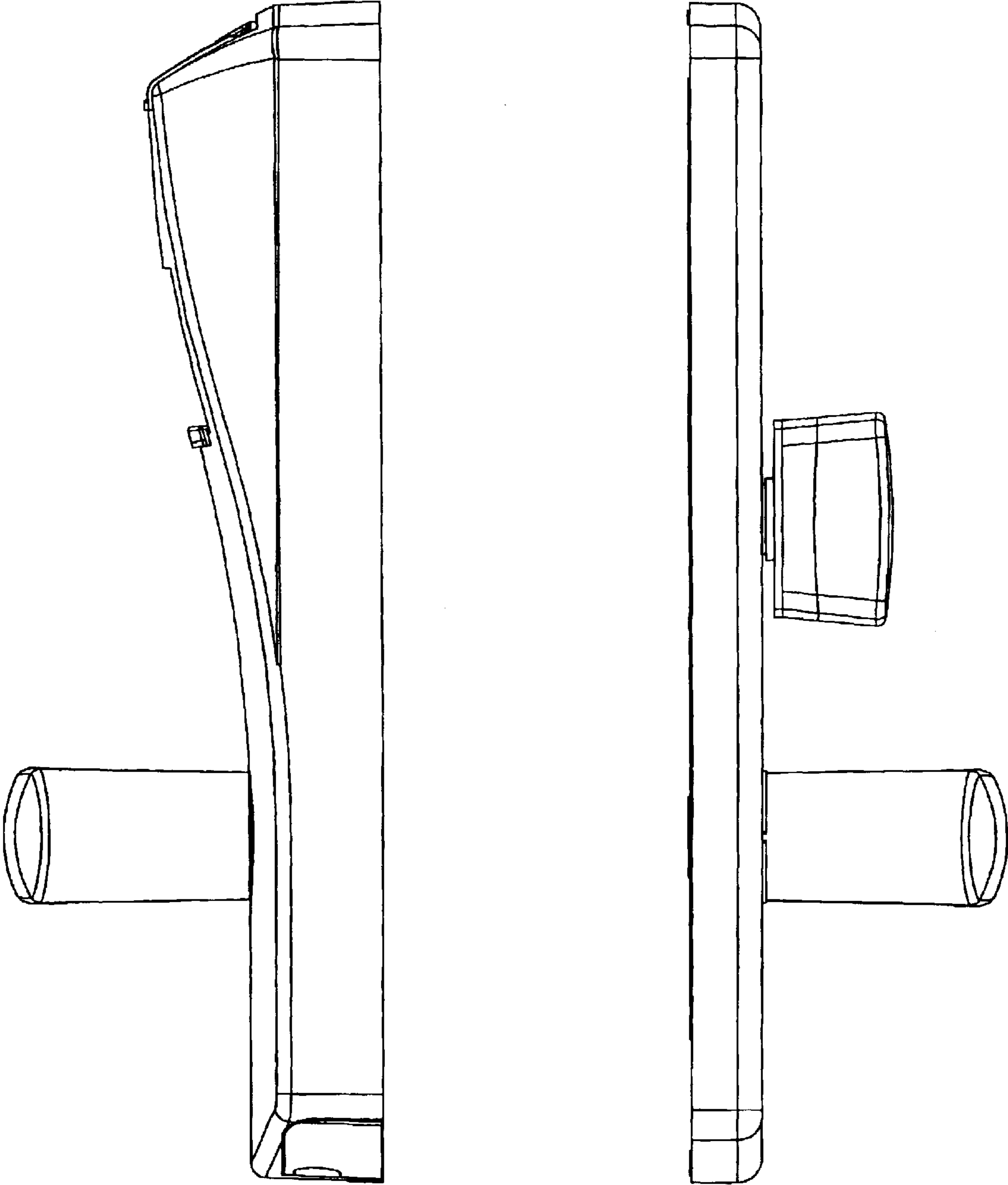


FIG.5

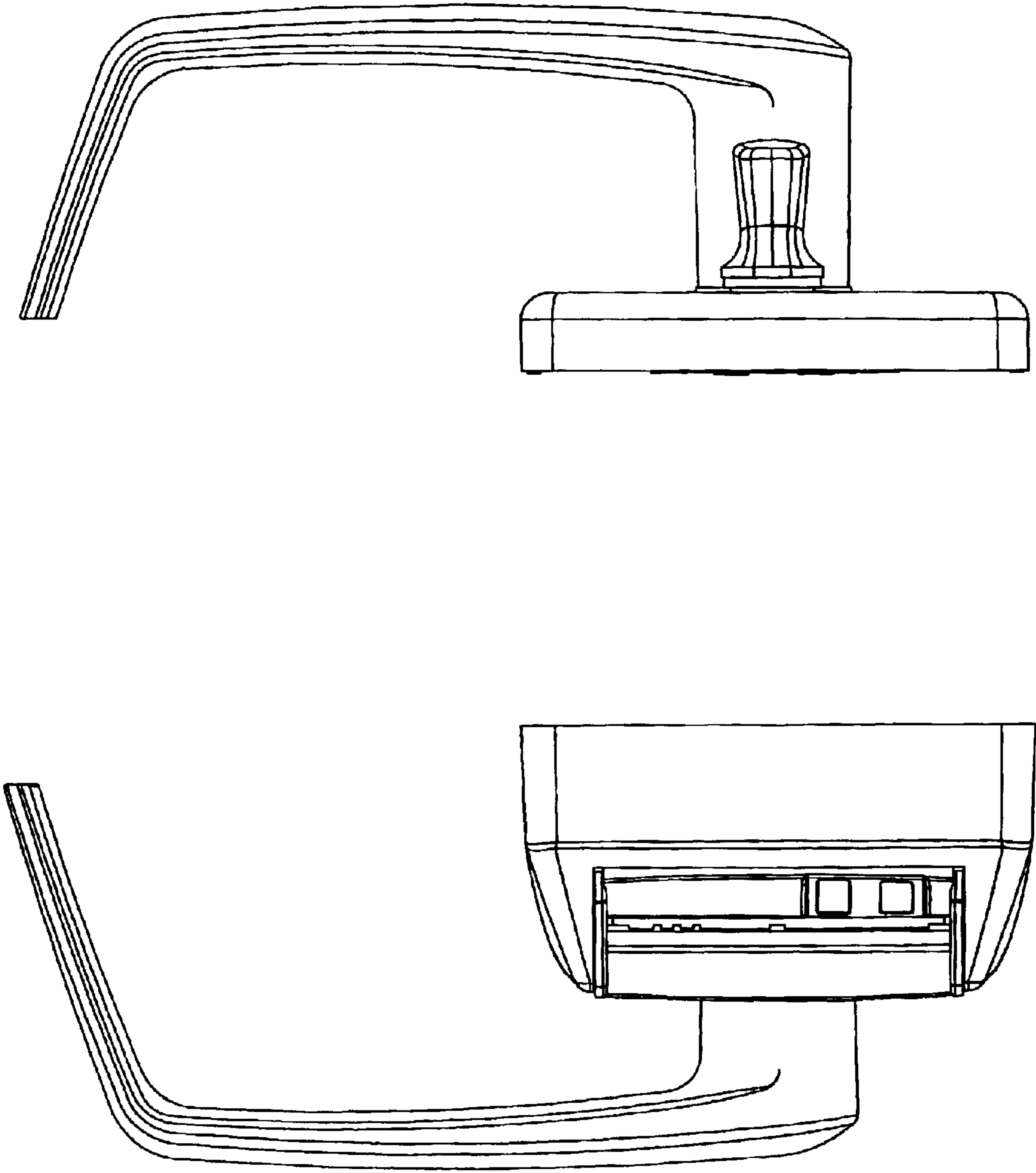


FIG.6

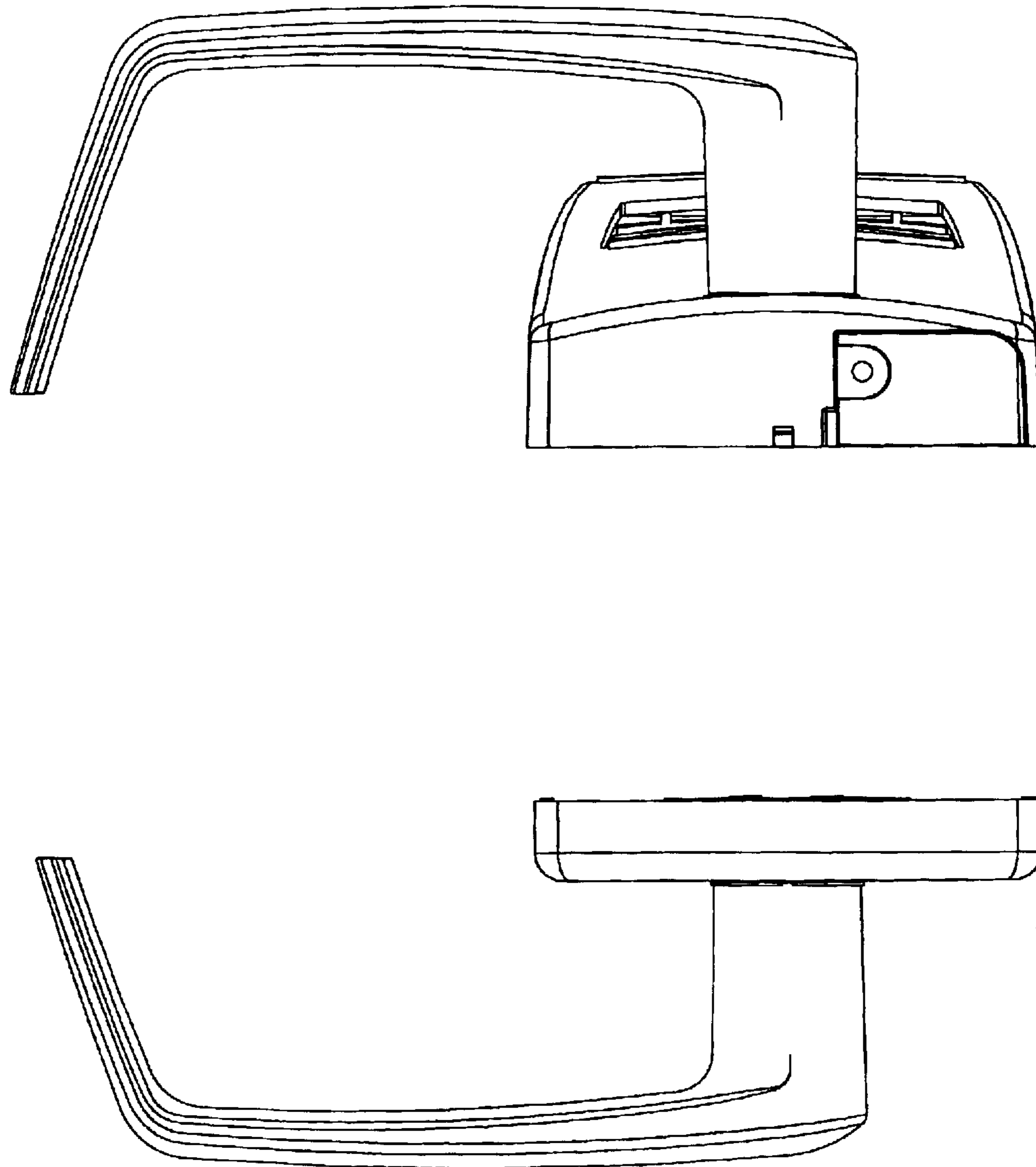


FIG.7

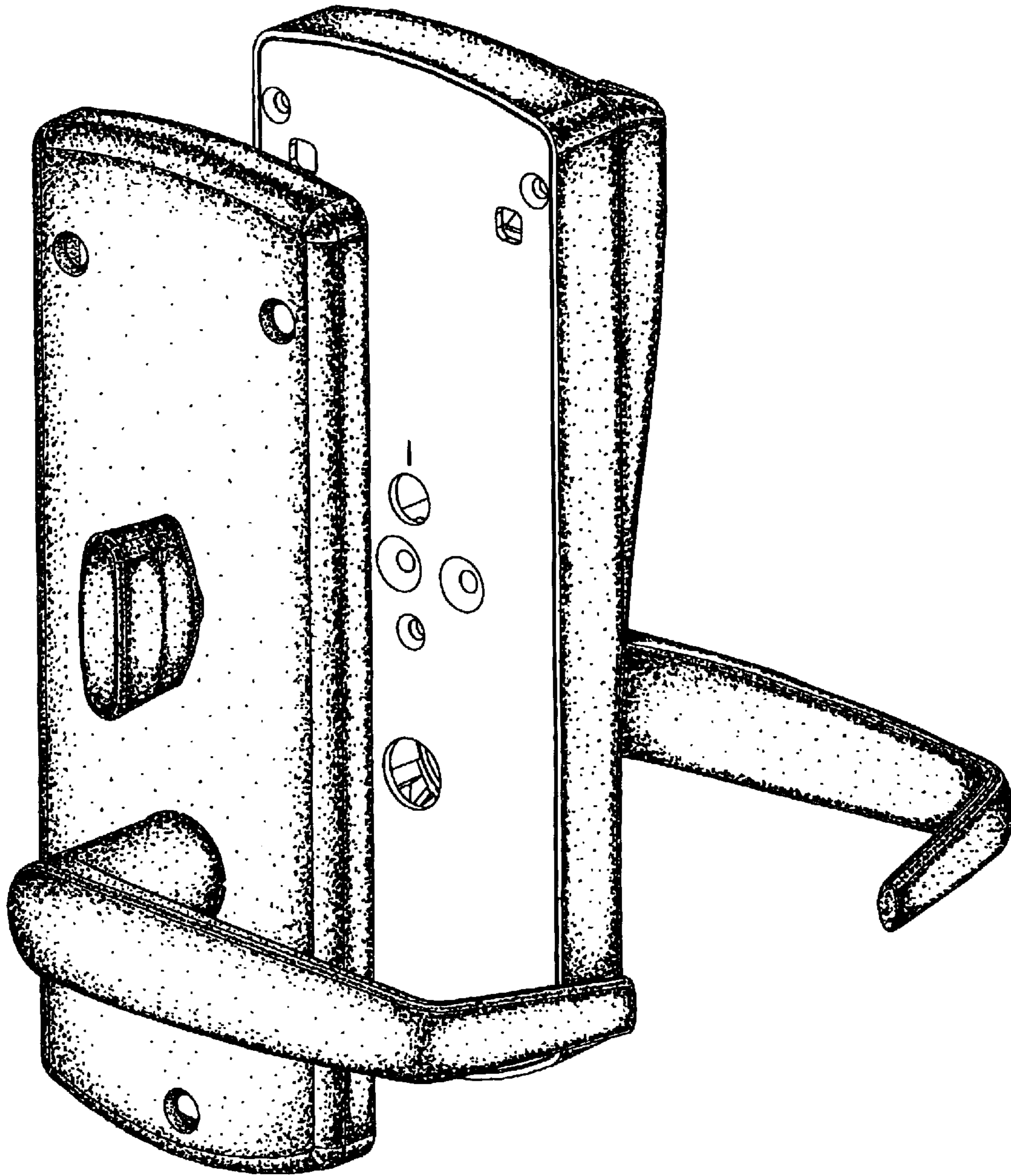


FIG.8