

US00D501385S

(12) **United States Design Patent** (10) **Patent No.:** **US D501,385 S**  
**Cheung et al.** (45) **Date of Patent:** **\*\* Feb. 1, 2005**

(54) **DRILL**

D462,248 S \* 9/2002 Cooper ..... D8/68  
D462,592 S \* 9/2002 Cooper ..... D8/68

(75) Inventors: **Benson Chun Kit Cheung**, Kowloon (HK); **Daniel Alex Chunn**, Kowloon (HK); **Frank Lenz**, Berlin (DE)

(List continued on next page.)

(73) Assignee: **One World Technologies Limited**, Hamilton (BM)

*Primary Examiner*—Joel A. Sincavage  
*Assistant Examiner*—T. Chase Nelson  
(74) *Attorney, Agent, or Firm*—Brinks Hofer Gilson & Lione

(\*\*) Term: **14 Years**

(57) **CLAIM**

(21) Appl. No.: **29/204,232**

The ornamental design for a drill, as shown and described.

(22) Filed: **Apr. 27, 2004**

**DESCRIPTION**

(51) **LOC (7) Cl.** ..... **08-01**  
(52) **U.S. Cl.** ..... **D8/68**  
(58) **Field of Search** ..... D8/14.1, 61, 62, D8/63, 64, 65, 66, 67, 68, 69, 70; 81/57.11, 429, 464, 465, 466, 469, 489; 173/13, 169, 178, 213, 217; 227/8, 114, 120, 130, 136, 142; 310/50; 408/20, 124, 125, 234, 241 R; 451/358

FIG. 1 is a top perspective view of a first embodiment of a drill of the present invention;  
FIG. 2 is a first side view thereof;  
FIG. 3 is a second side view thereof;  
FIG. 4 is a top view thereof;  
FIG. 5 is a bottom view thereof;  
FIG. 6 is a front view thereof;  
FIG. 7 is a rear view thereof;  
FIG. 8 is a top perspective view of a second embodiment of a drill of the present invention;  
FIG. 9 is a first side view thereof;  
FIG. 10 is a second side view thereof;  
FIG. 11 is a top view thereof;  
FIG. 12 is a bottom view thereof;  
FIG. 13 is a front view thereof;  
FIG. 14 is a rear view thereof;  
FIG. 15 is a top perspective view of a third embodiment of a drill of the present invention;  
FIG. 16 is a first side view thereof;  
FIG. 17 is a second side view thereof;  
FIG. 18 is a top view thereof;  
FIG. 19 is a bottom view thereof;  
FIG. 20 is a front view thereof; and,  
FIG. 21 is a rear view thereof.

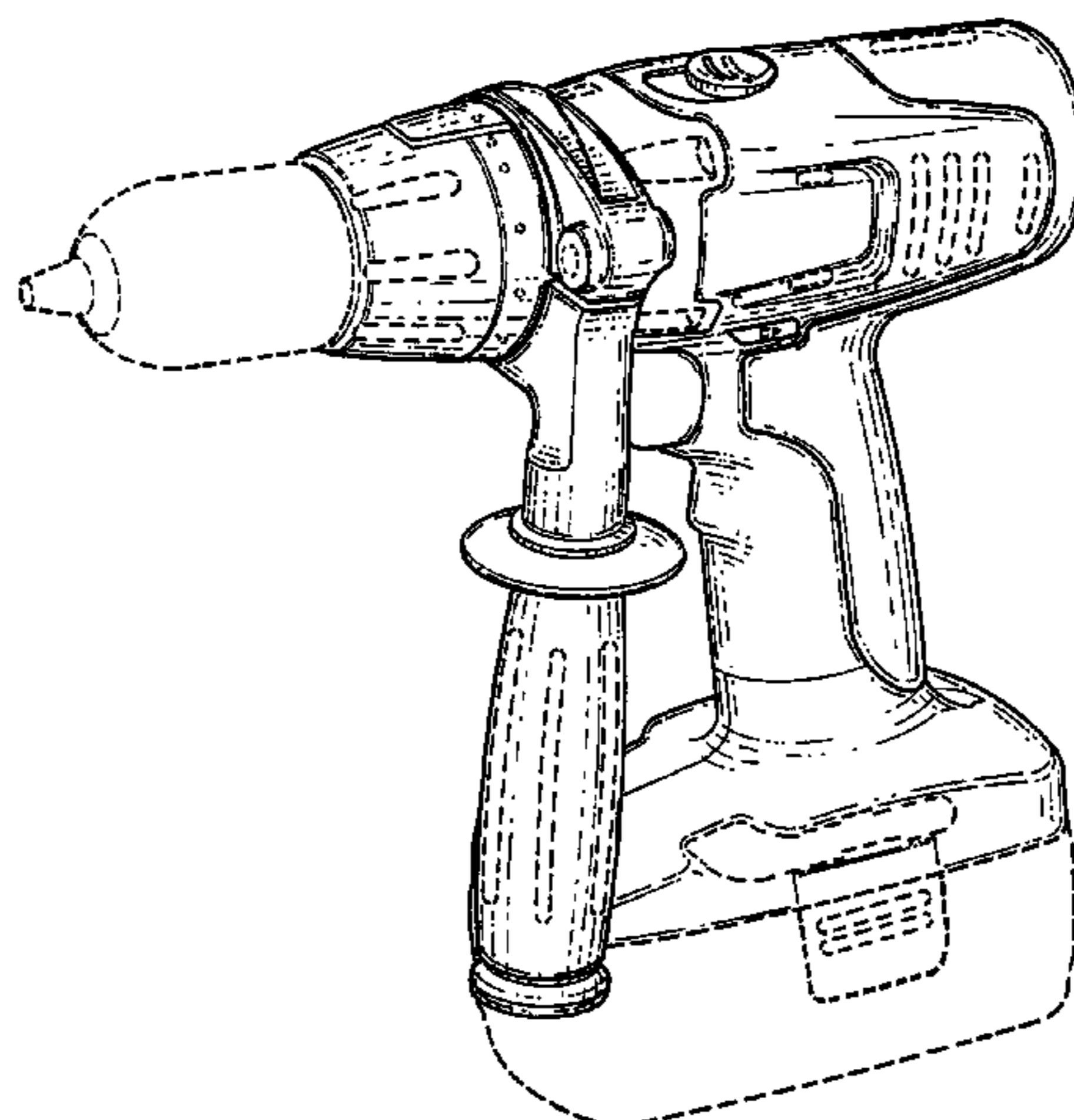
(56) **References Cited**

**U.S. PATENT DOCUMENTS**

4,881,294 A \* 11/1989 Riedl ..... 408/241 R  
D359,215 S 6/1995 Zurwelle  
D362,167 S 9/1995 Zurwelle  
D368,009 S 3/1996 Zurwelle  
D368,214 S 3/1996 Zurwelle  
D396,177 S 7/1998 Schultz  
D396,789 S 8/1998 Murray  
5,881,823 A \* 3/1999 Kabatnik et al. .... 173/217  
D419,413 S \* 1/2000 Heun ..... D8/68  
D420,877 S 2/2000 Schultz  
D421,883 S \* 3/2000 Watson et al. .... D8/68  
D424,902 S \* 5/2000 Gildersleeve et al. .... D8/68  
D426,760 S 6/2000 Schultz  
D428,320 S \* 7/2000 Ohi et al. .... D8/61  
D431,766 S 10/2000 Zurwelle  
D435,414 S 12/2000 Etter et al.  
D437,759 S 2/2001 Breit et al.  
D442,452 S \* 5/2001 Stirm et al. .... D8/67  
D460,673 S 7/2002 Heun

The ornamental design which is claimed is shown in solid lines in the drawings. Any broken lines in the drawings are for illustrative purposes only and form no part of the claimed design.

**1 Claim, 15 Drawing Sheets**



# US D501,385 S

Page 2

---

## U.S. PATENT DOCUMENTS

6,446,734 B1 *	9/2002	Williams et al. ....	173/213	D478,262 S	8/2003	Chunn et al.	
6,457,535 B1 *	10/2002	Tanaka .....	173/178	D479,456 S	9/2003	Murray et al.	
D466,777 S *	12/2002	Watson .....	D8/68	D482,253 S *	11/2003	Cooper et al. ....	D8/68
D467,147 S *	12/2002	Watson .....	D8/68	6,656,626 B1	12/2003	Mooty et al.	
D467,148 S *	12/2002	Flickinger .....	D8/68	D488,978 S *	4/2004	Cheung .....	D8/68
D467,482 S	12/2002	Kunz et al.		D489,955 S *	5/2004	Concari et al. ....	D8/68
D467,483 S *	12/2002	Heun .....	D8/68	6,729,415 B1 *	5/2004	Huang .....	310/50
D469,674 S	2/2003	Chung		6,733,414 B2 *	5/2004	Elger .....	173/211
D469,675 S *	2/2003	Chung .....	D8/68	6,745,883 B2 *	6/2004	Eto et al. ....	173/178
D470,379 S *	2/2003	Andriolo .....	D8/68	D494,034 S *	8/2004	Cheung .....	D8/68
D471,419 S *	3/2003	Chunn et al. ....	D8/68	2002/0096343 A1 *	7/2002	Potter et al. ....	173/178
D474,953 S	5/2003	Santarsiero et al.		2003/0143042 A1 *	7/2003	Doyle et al. ....	408/124
D477,974 S	8/2003	Chunn et al.					

\* cited by examiner

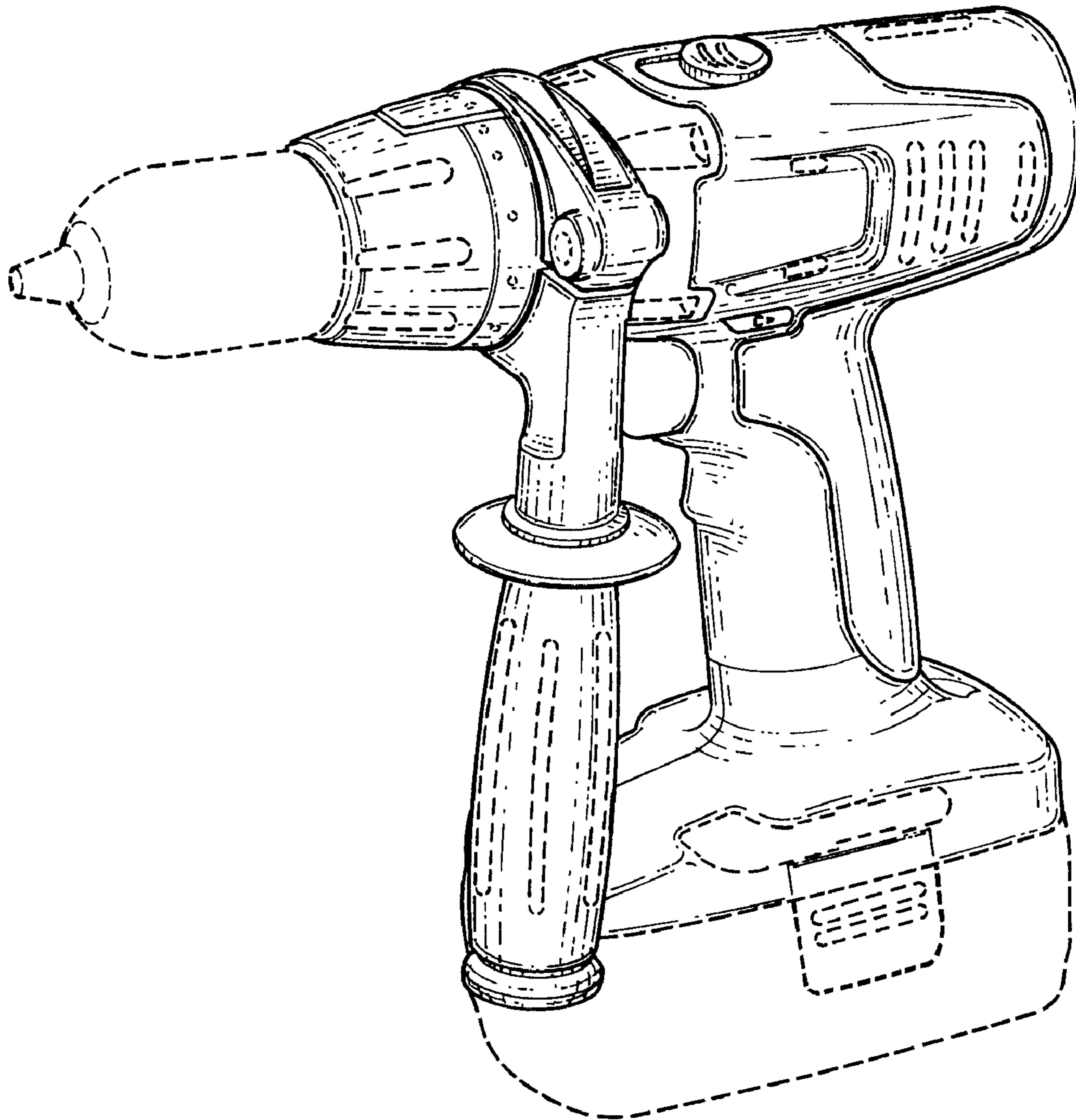


Fig. 1

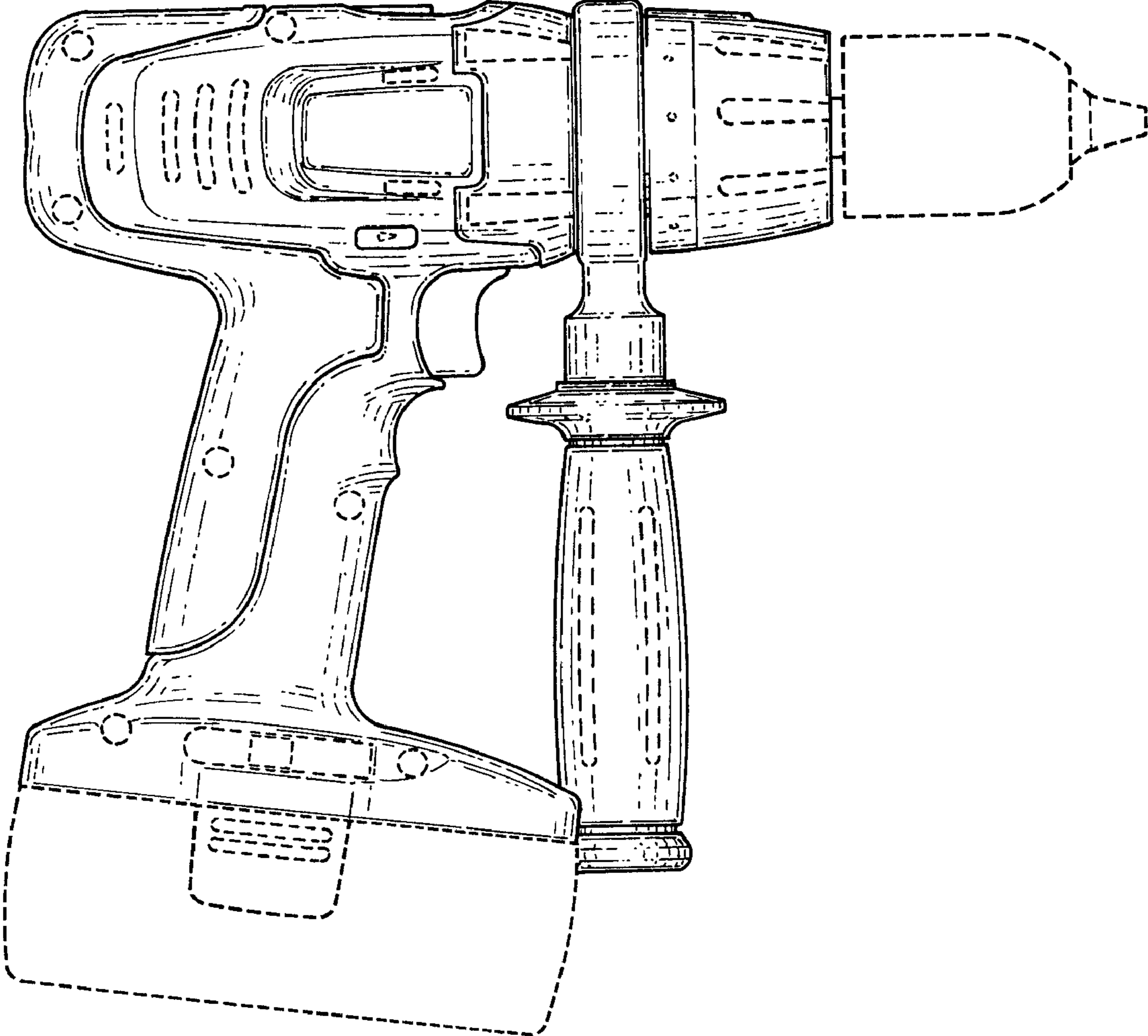


Fig. 2



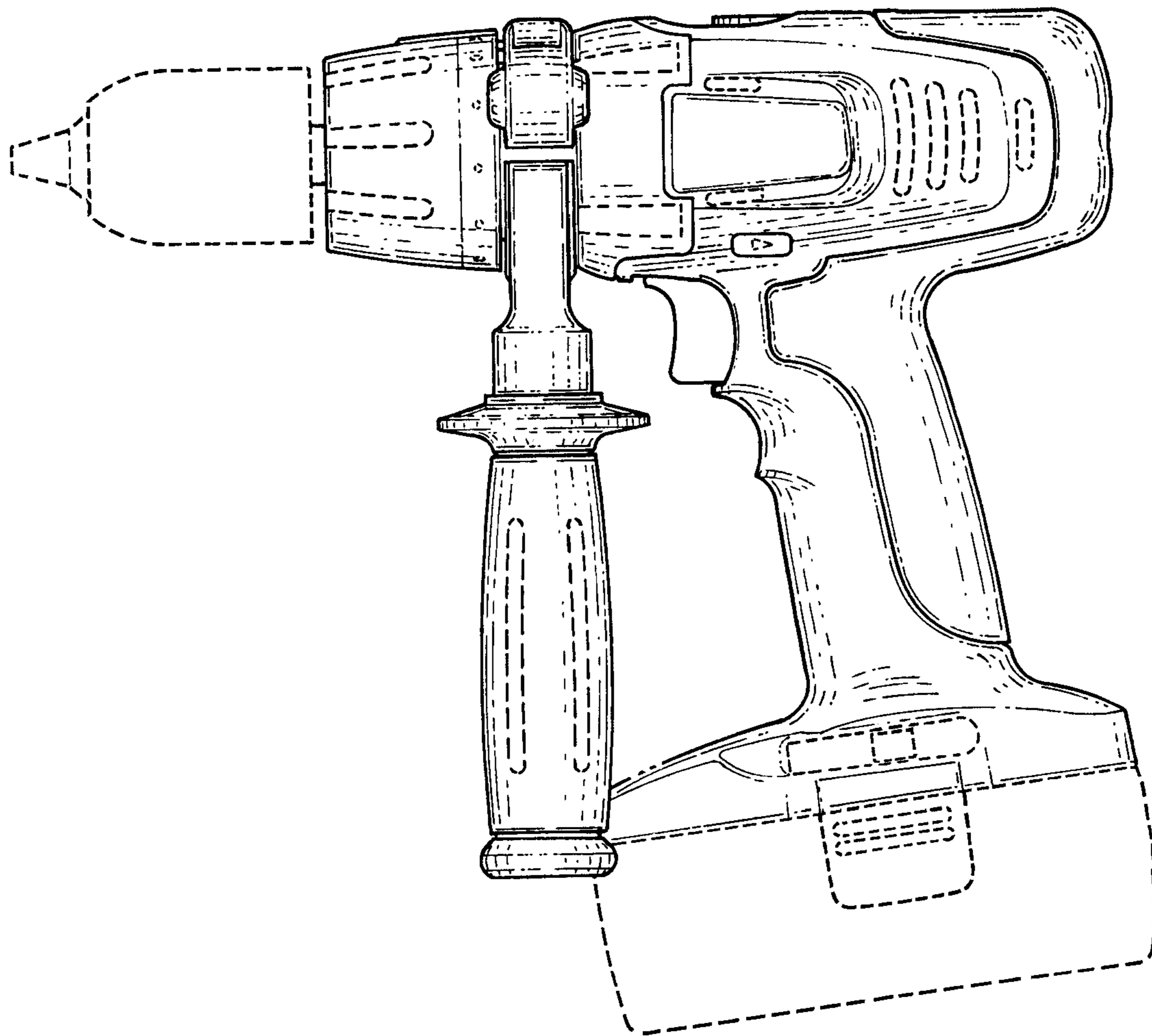


Fig. 3

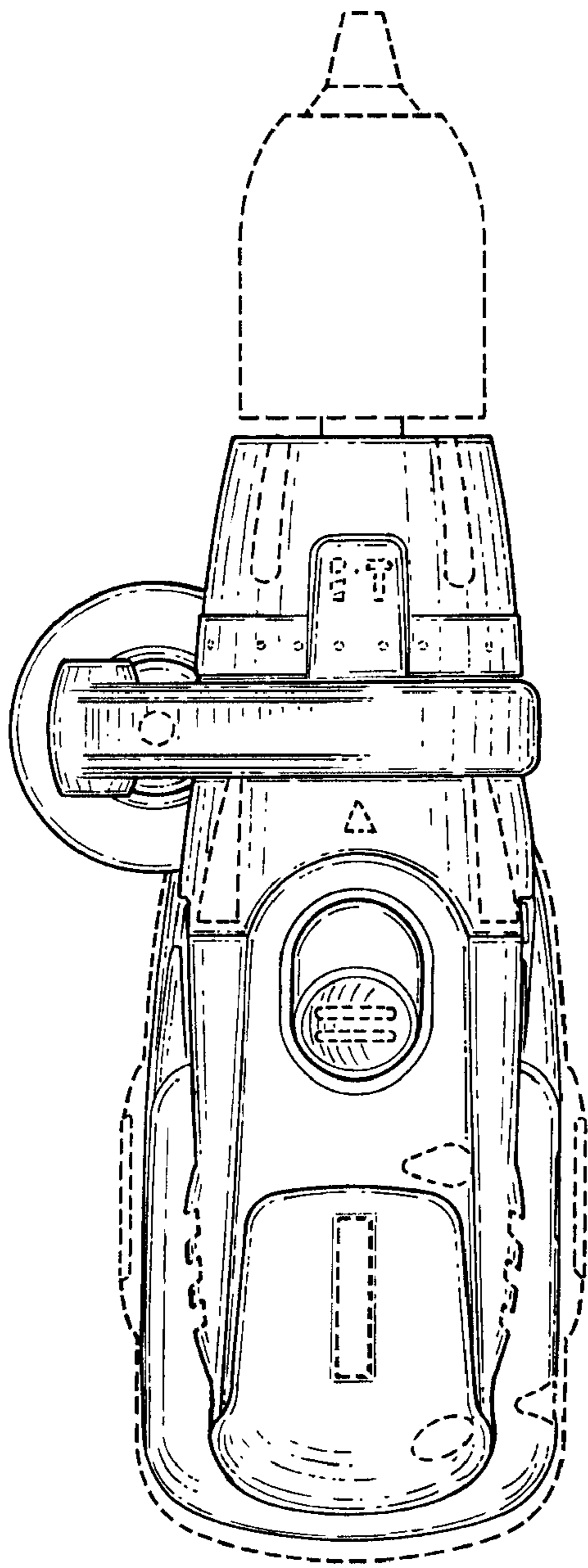


Fig. 4

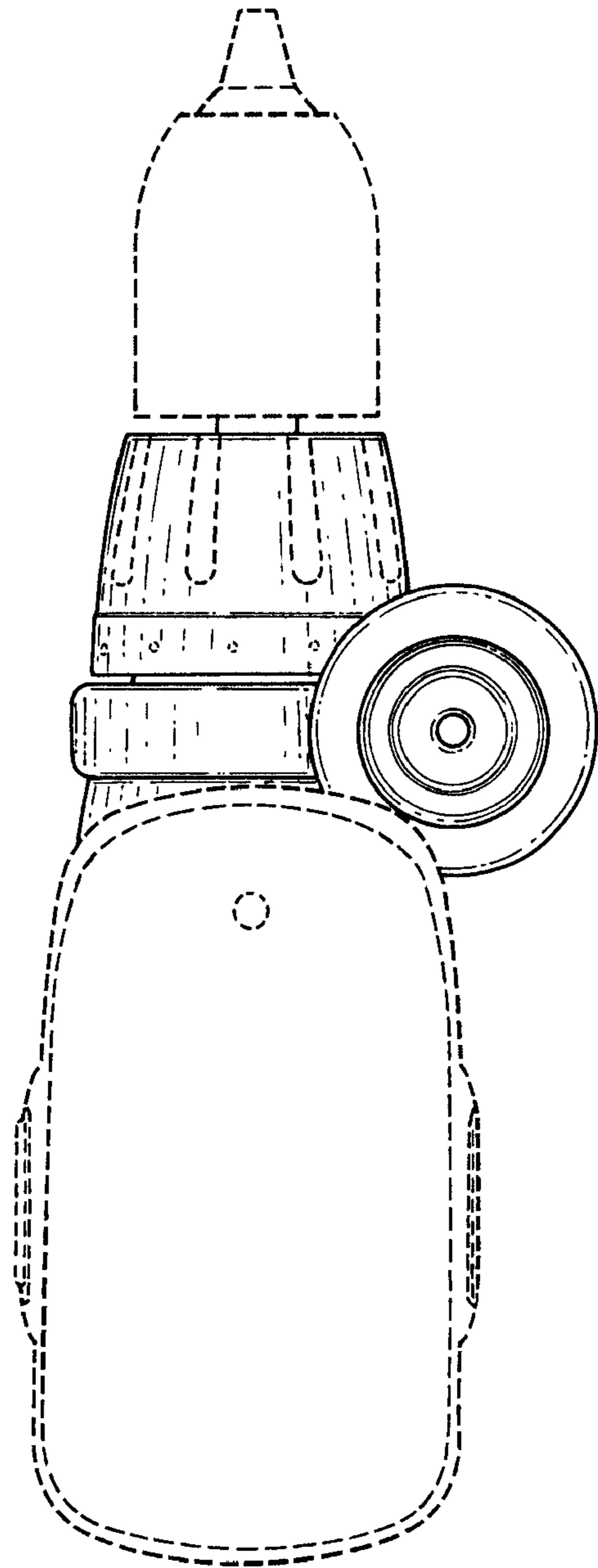


Fig. 5

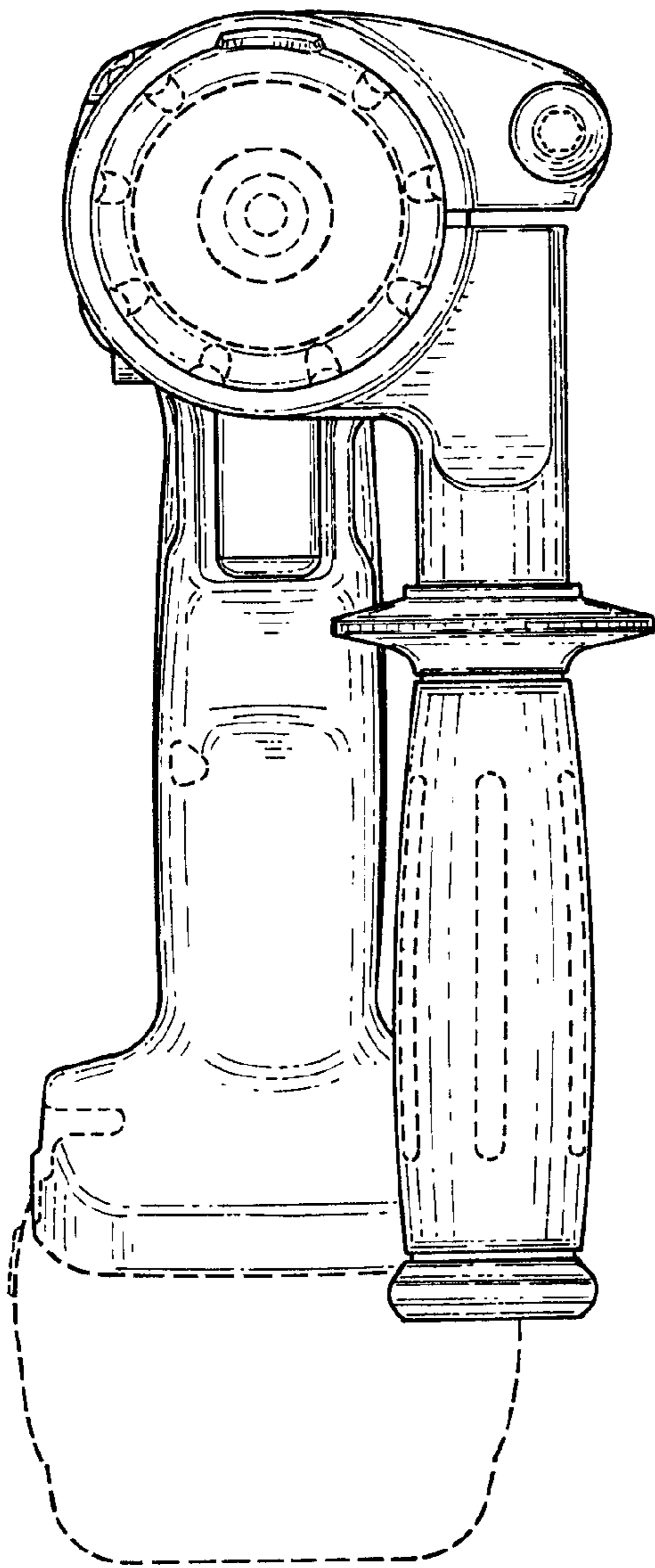


Fig. 6

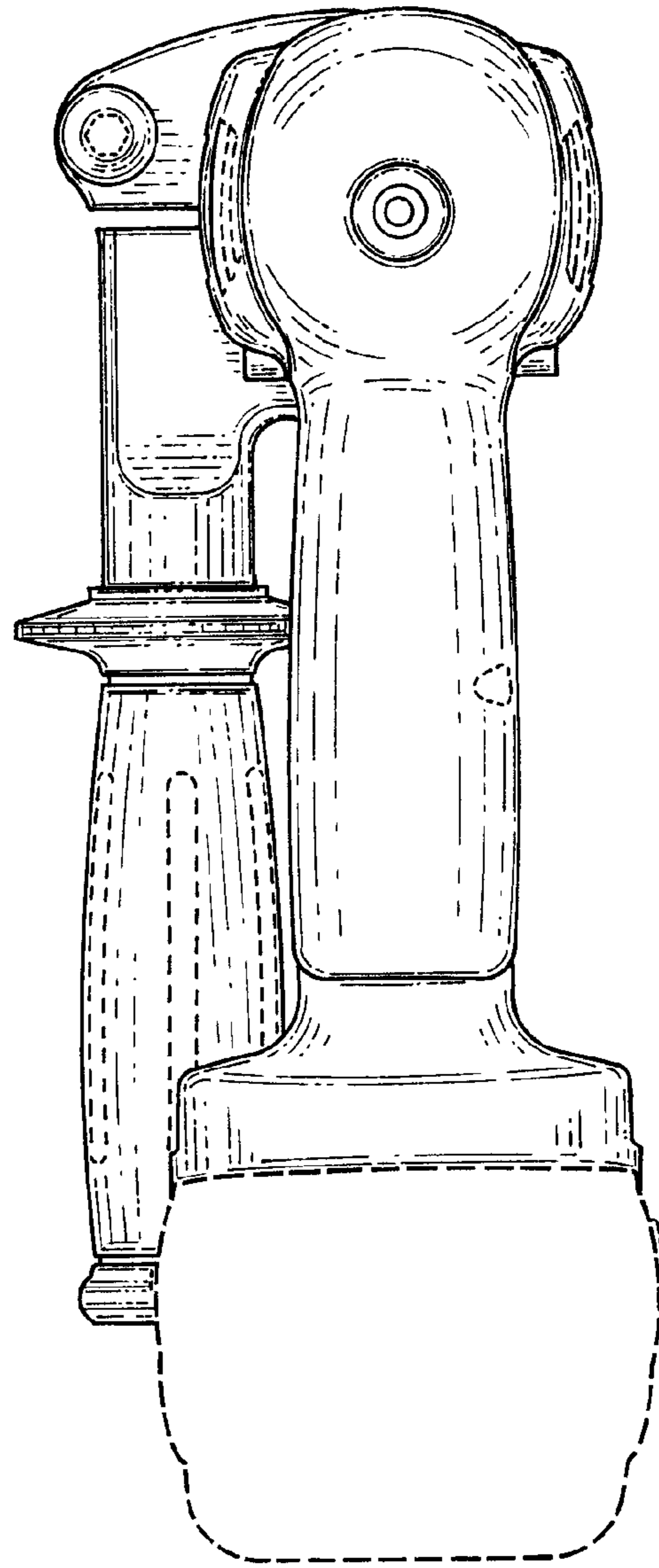


Fig. 7

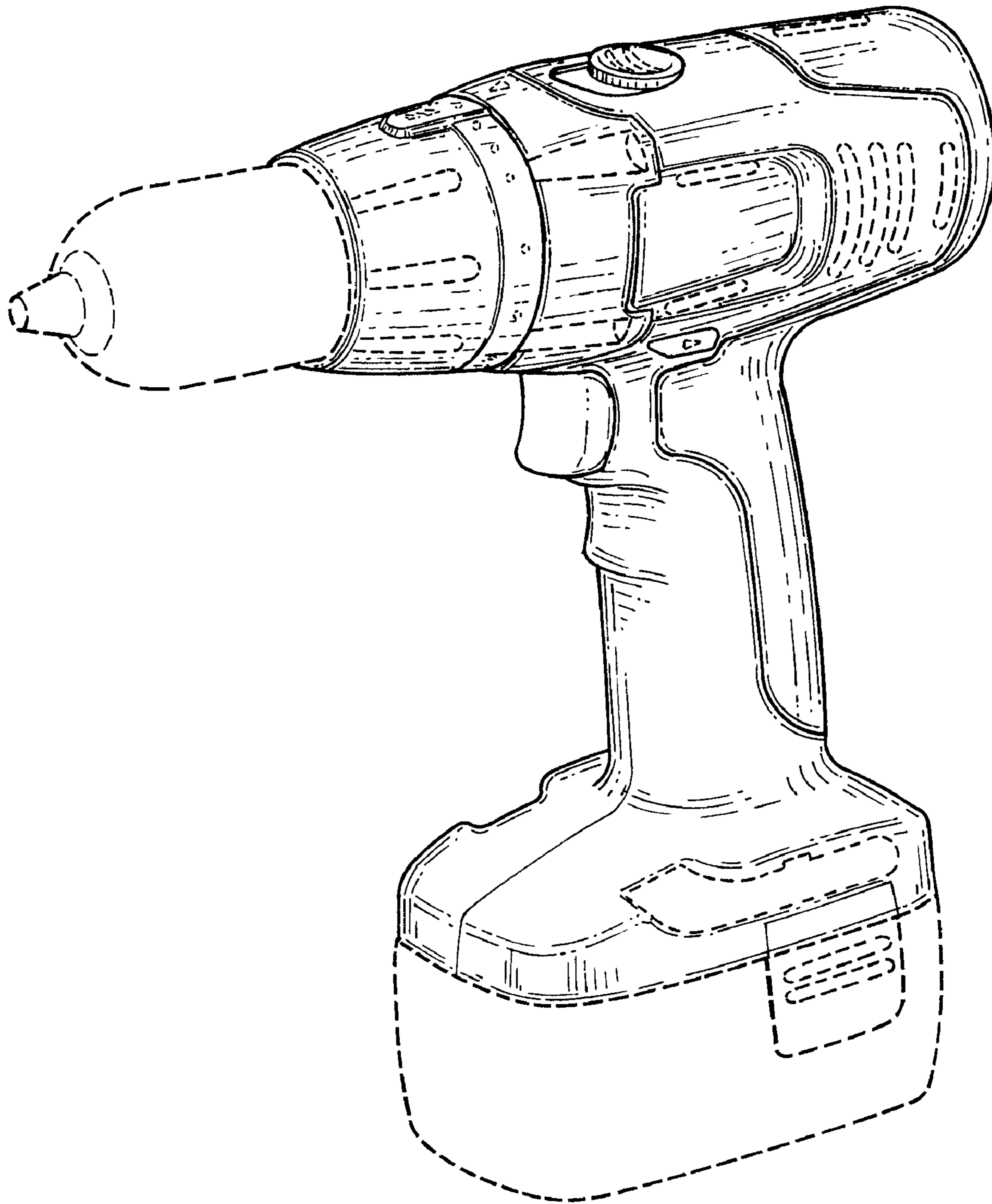


Fig. 8



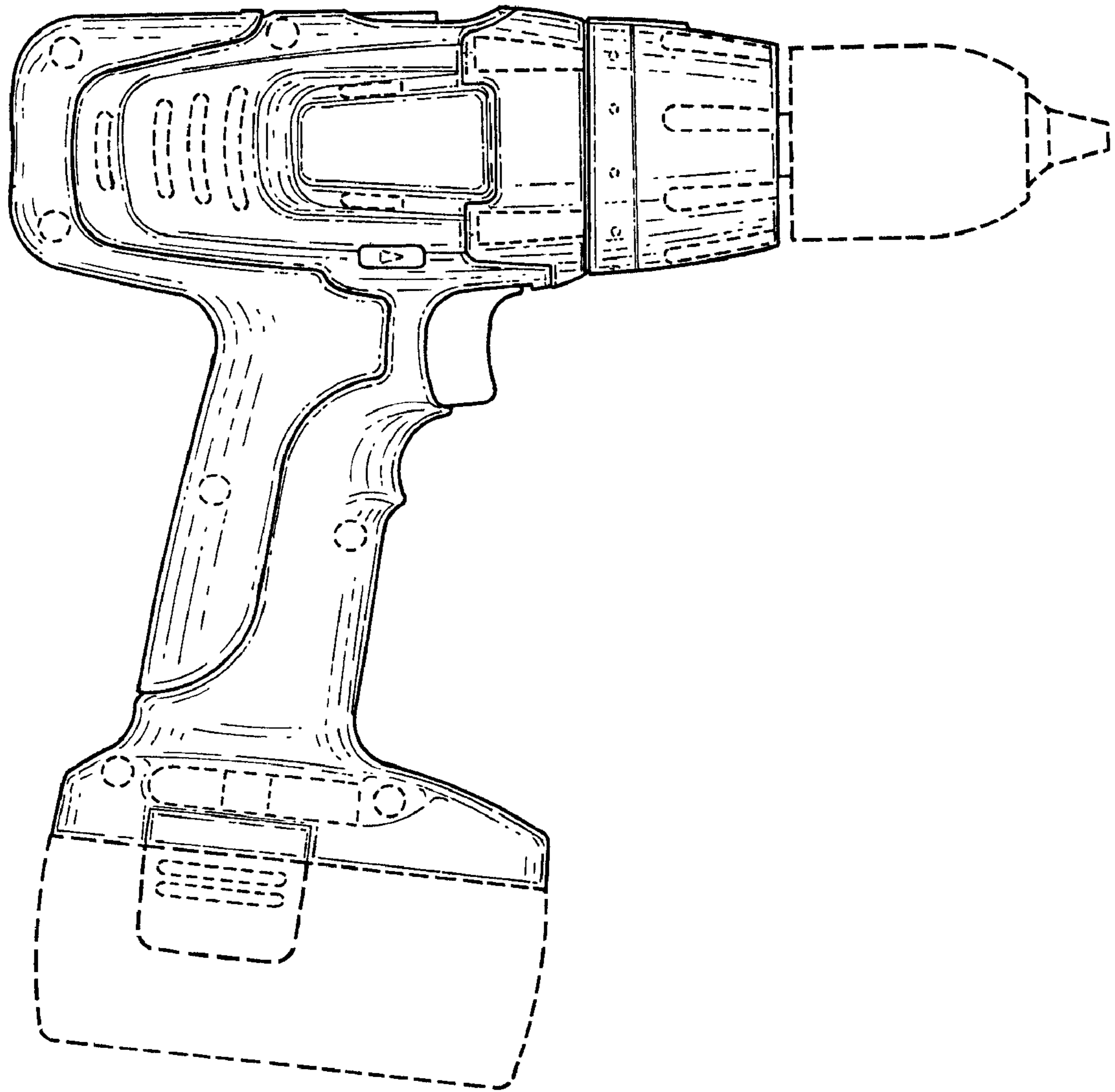


Fig. 9

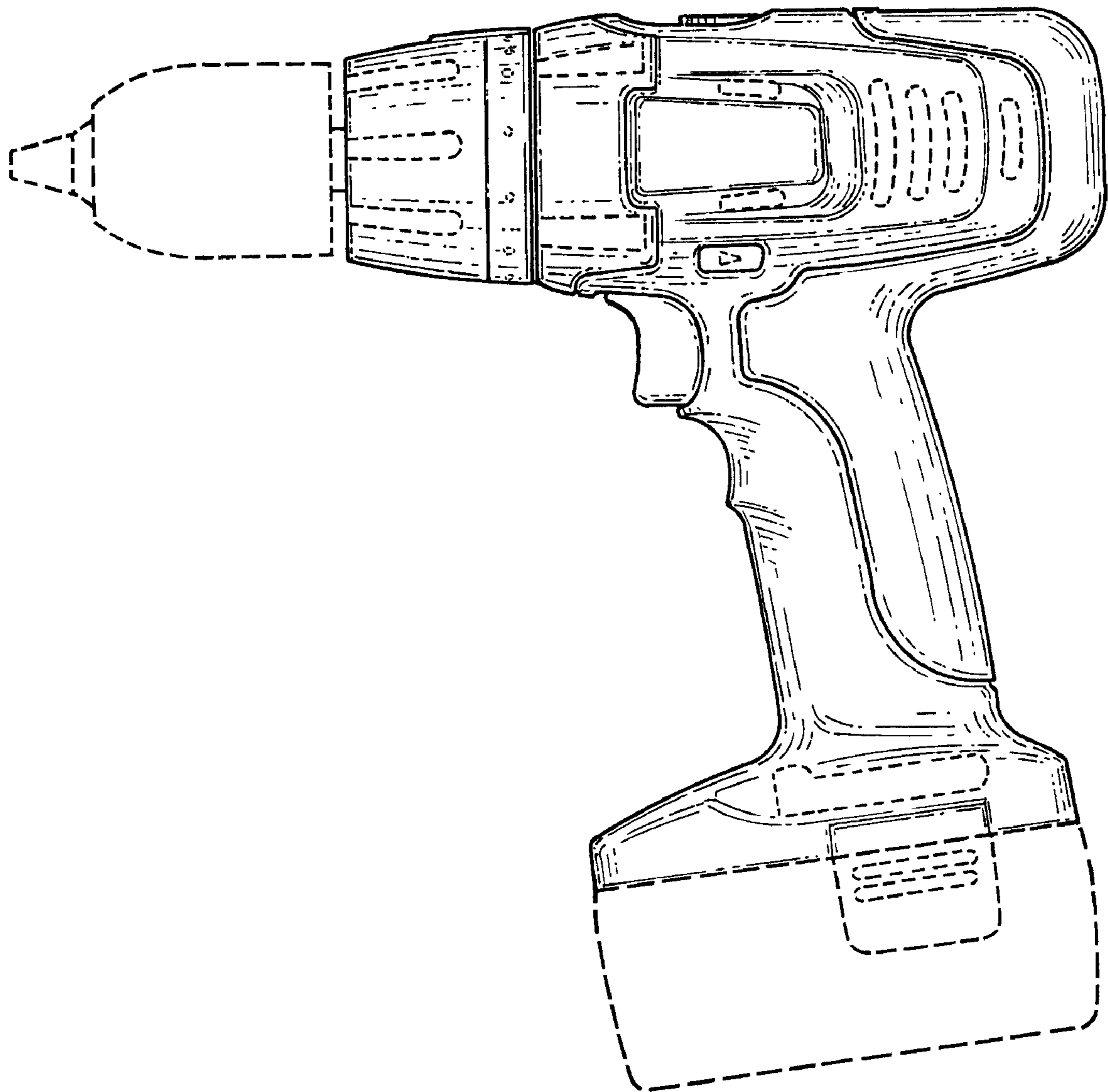


Fig. 10

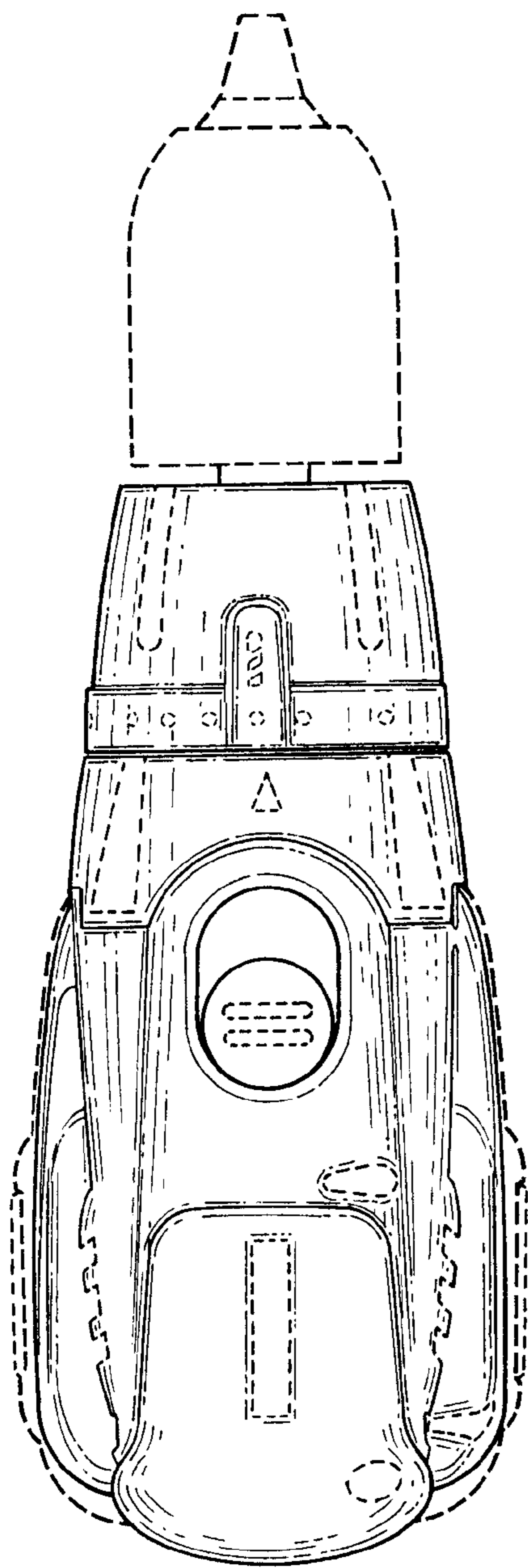


Fig. 11

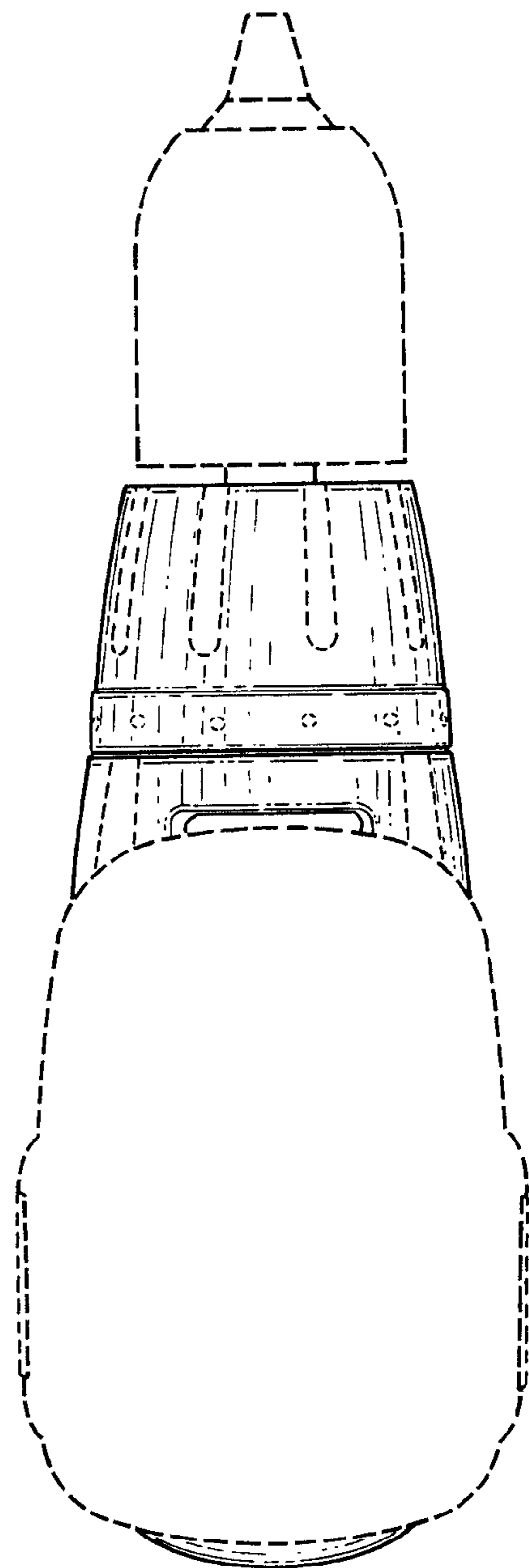


Fig. 12

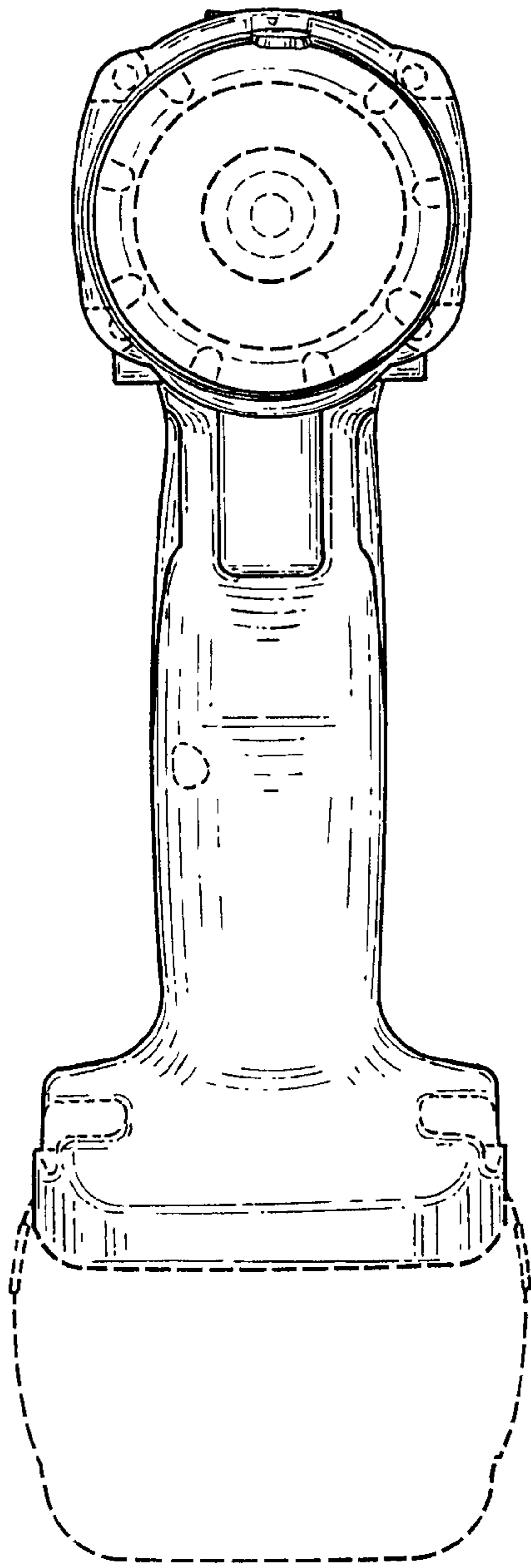


Fig. 13

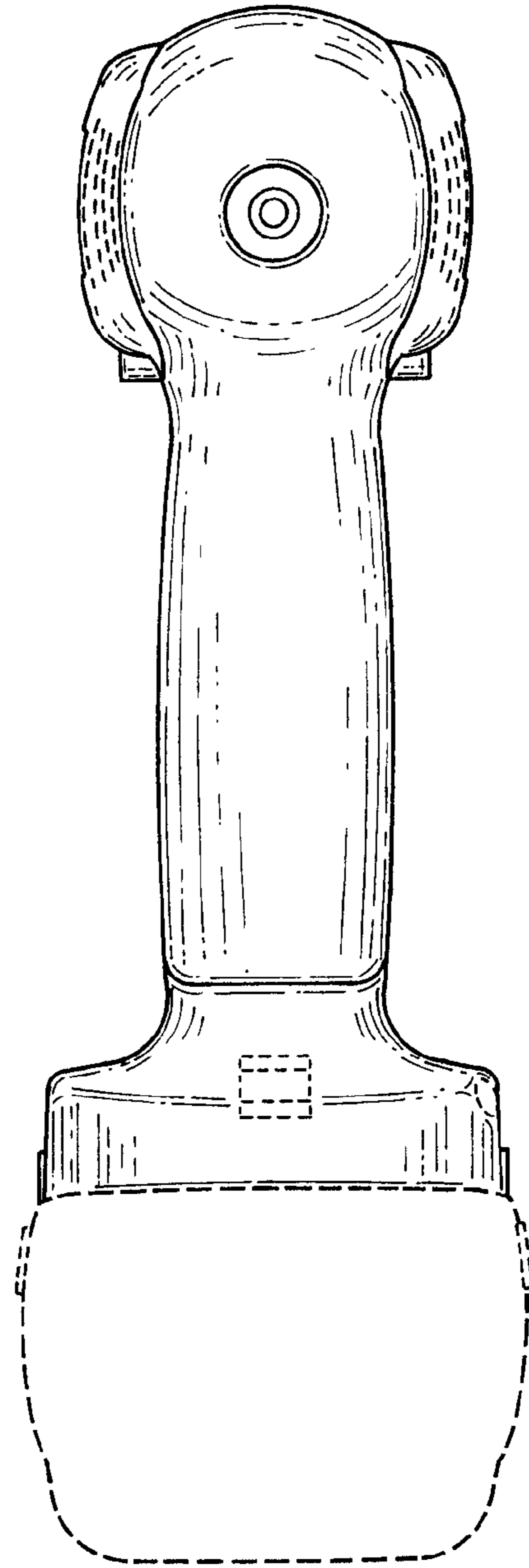


Fig. 14



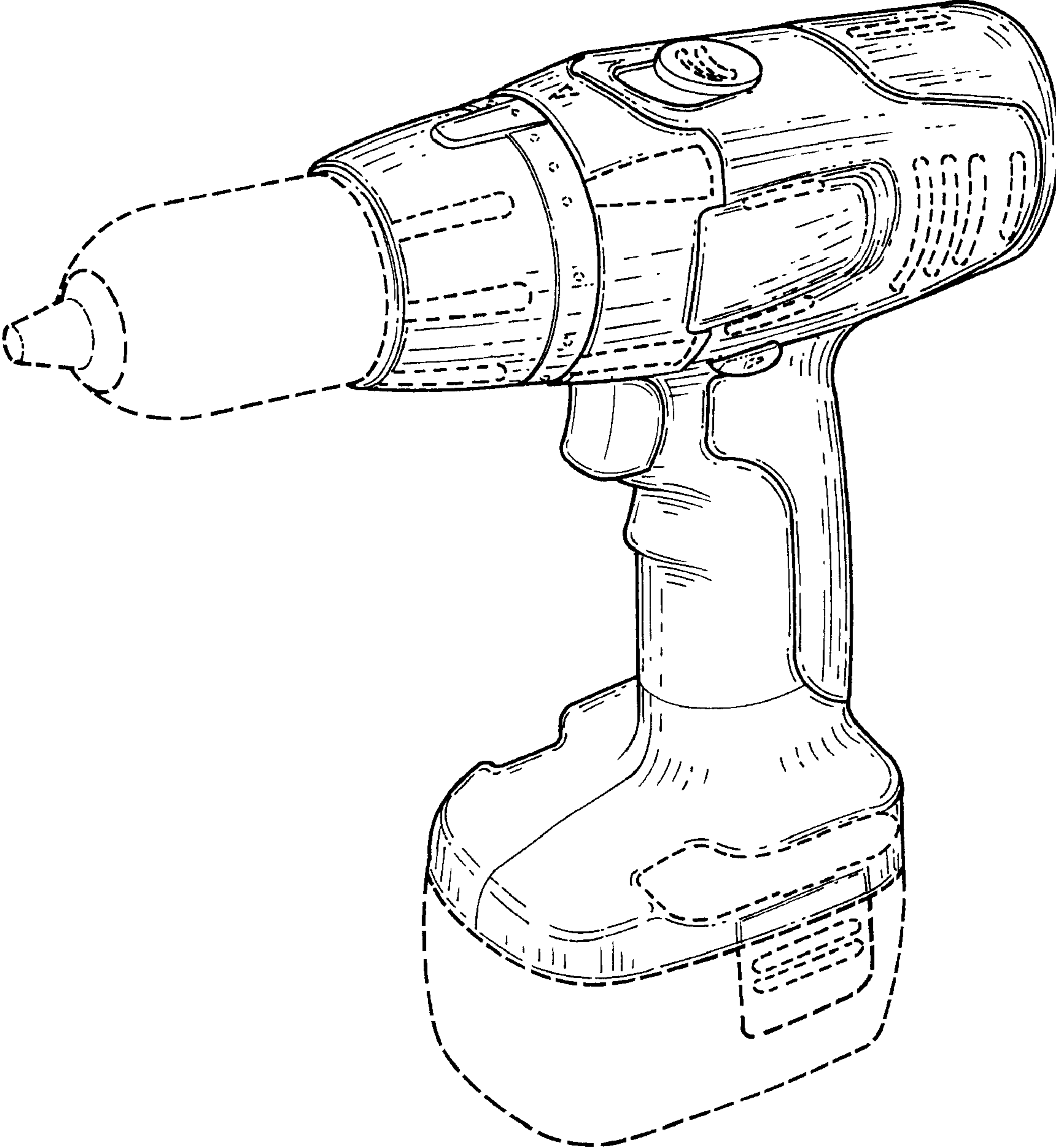


Fig. 15

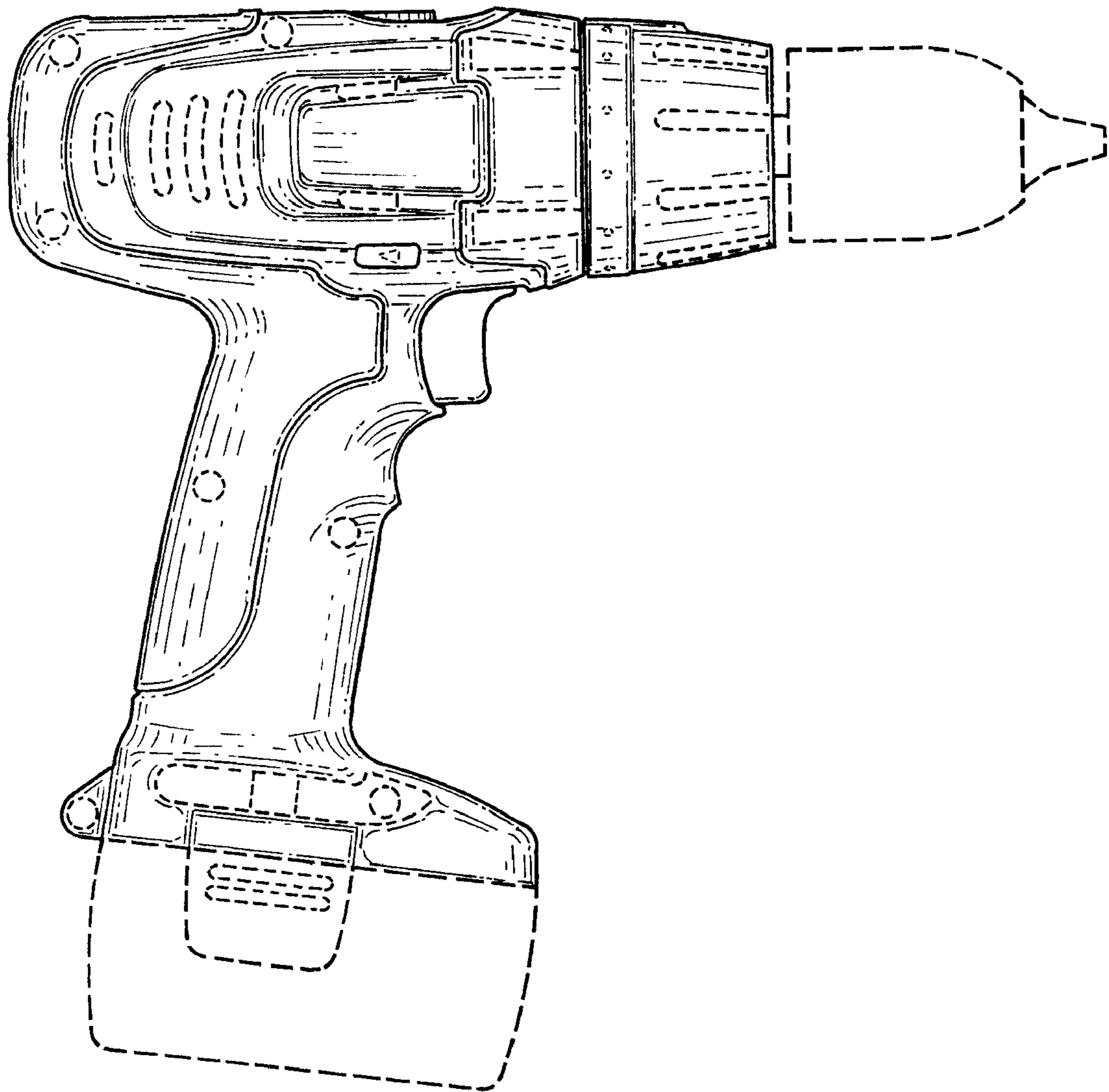


Fig. 16

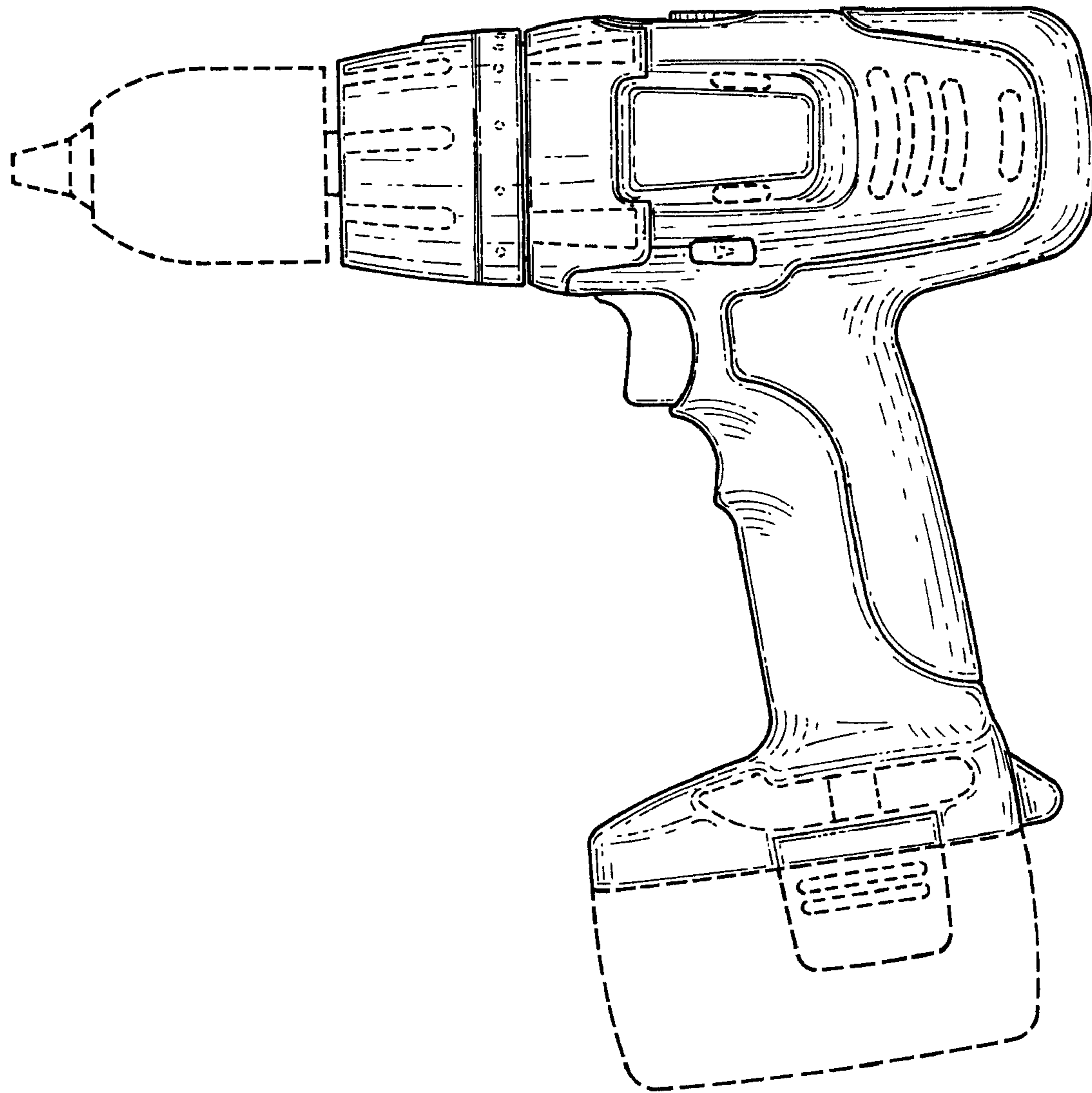


Fig. 17

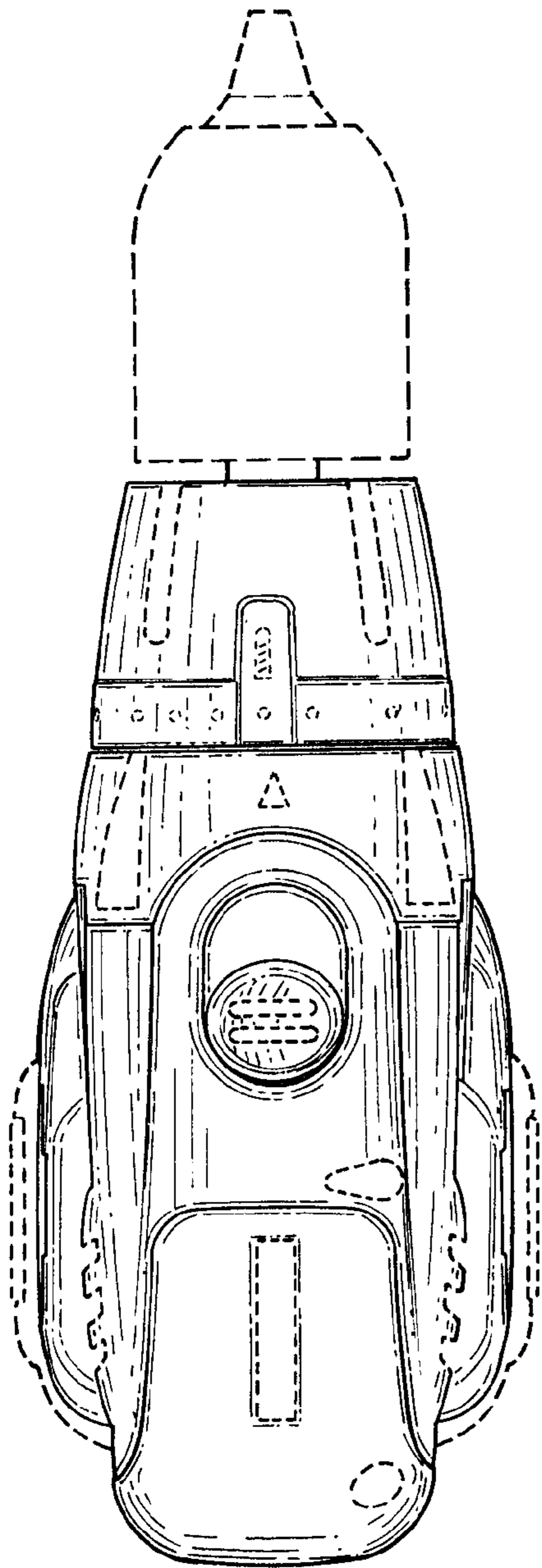


Fig. 18

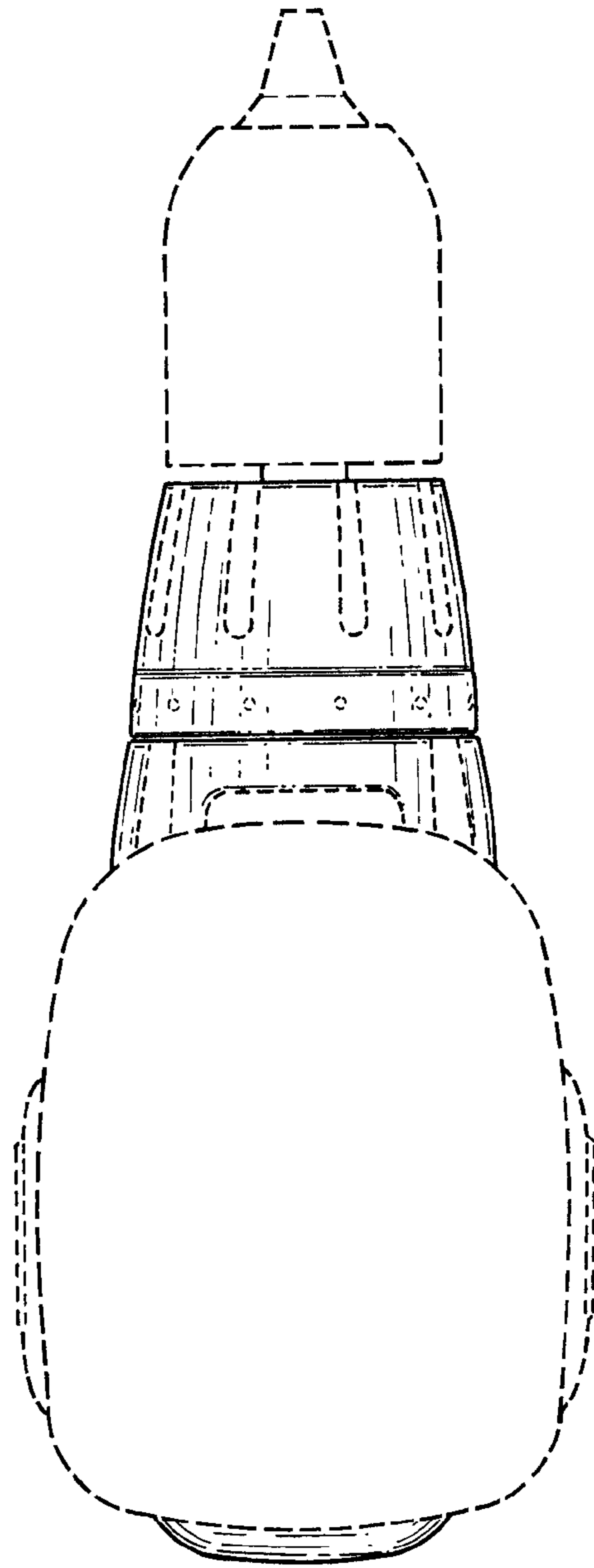


Fig. 19



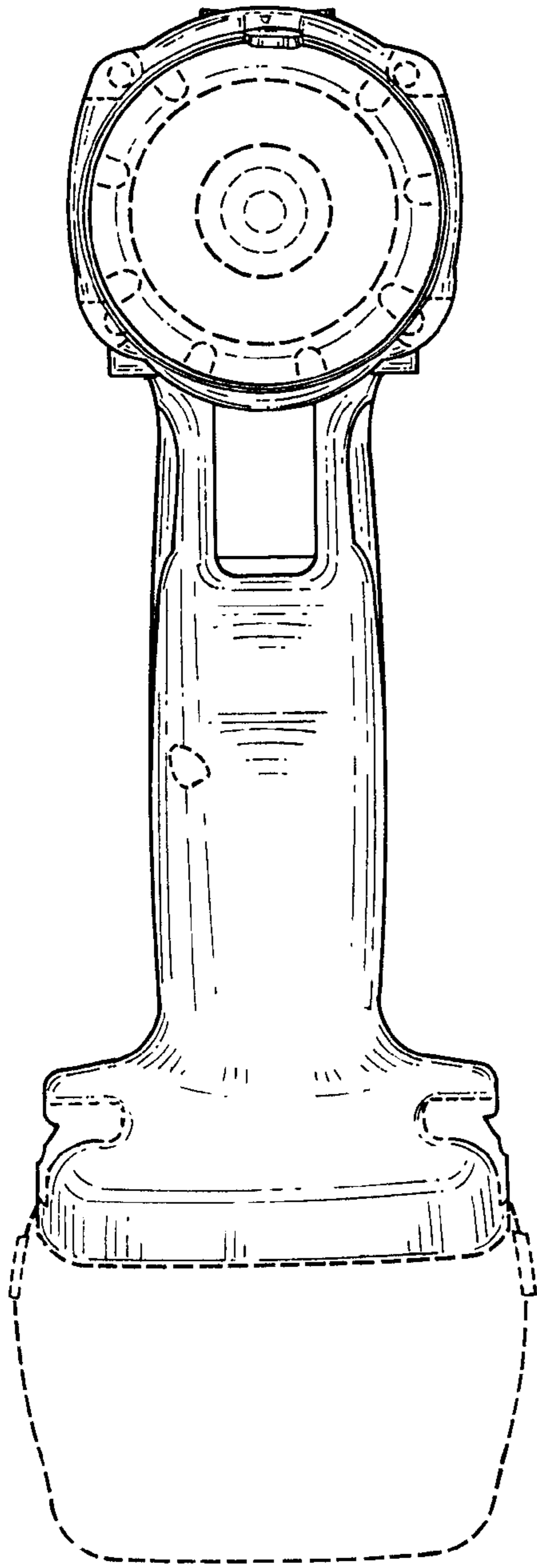


Fig. 20

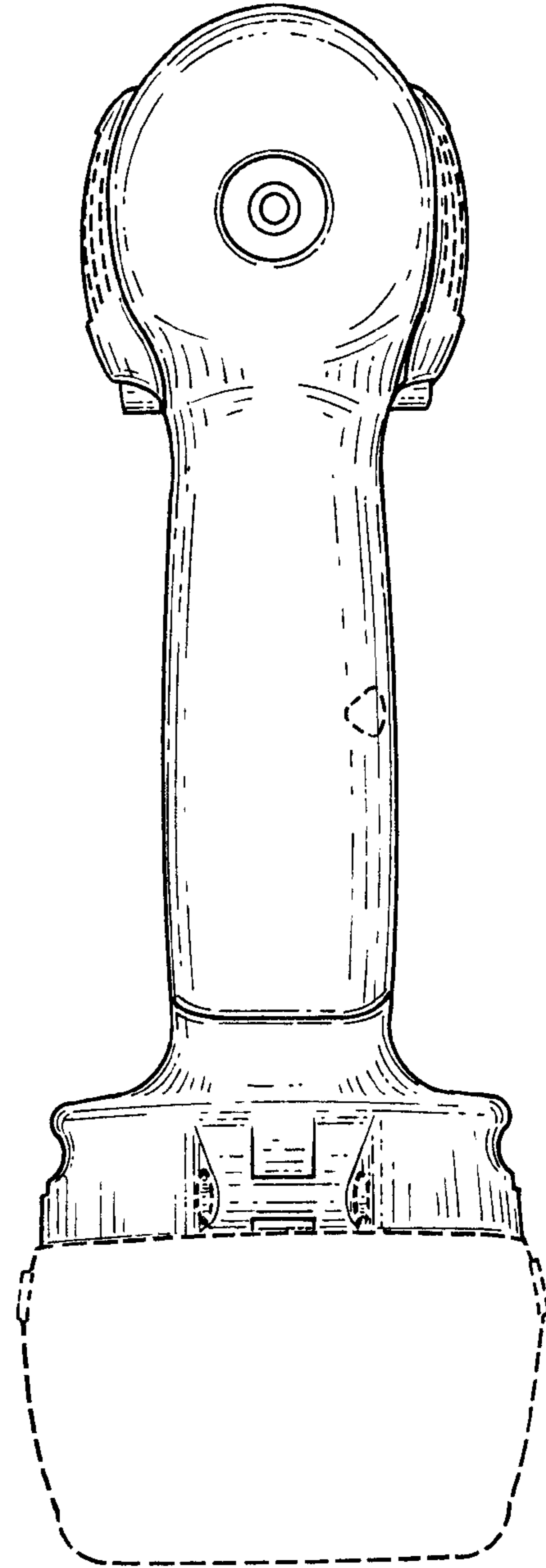


Fig. 21