

US00D501384S

(12) **United States Design Patent** (10) **Patent No.:** **US D501,384 S**  
**Wright et al.** (45) **Date of Patent:** **\*\* Feb. 1, 2005**

(54) **DRILL/DRIVER**  
 (75) Inventors: **Stuart J. Wright**, Timonium, MD  
 (US); **James B. Watson**, Fallston, MD  
 (US)  
 (73) Assignee: **Black & Decker Inc.**, Newark, DE  
 (US)  
 (\*\*) Term: **14 Years**

D382,457 S 8/1997 Ghode et al.  
 D384,639 S 10/1997 Kawakami et al.  
 D386,662 S 11/1997 Tozawa et al.  
 D387,728 S 12/1997 Kawakami et al.  
 D392,530 S 3/1998 Lui  
 D402,871 S 12/1998 Clowers et al.  
 D402,872 S 12/1998 Clowers et al.  
 D412,485 S 8/1999 Kato et al.  
 D417,648 S 12/1999 Clowers et al.

(List continued on next page.)

(21) Appl. No.: **29/203,411**  
 (22) Filed: **Apr. 14, 2004**

**FOREIGN PATENT DOCUMENTS**

DE M 95 05 672 3/1996  
 DE M 95 07 044 7/1996  
 DE M 96 02 972 12/1996

(List continued on next page.)

(51) **LOC (7) Cl.** ..... **08-01**  
 (52) **U.S. Cl.** ..... **D8/68**  
 (58) **Field of Search** ..... D8/14.1, 61, 62,  
 D8/63, 64, 65, 66, 67, 68, 69, 70; 81/57.11,  
 429, 464, 465, 466, 469, 489; 173/13, 169,  
 178, 213, 217; 227/8, 114, 120, 130, 136,  
 142; 310/50; 408/20, 124, 125, 234, 241 R;  
 451/358

**OTHER PUBLICATIONS**

DeWalt 2002 Catalog, pp. 17,22 & 26; LDWC02.

*Primary Examiner*—Joel A. Sincavage  
*Assistant Examiner*—T. Chase Nelson  
 (74) *Attorney, Agent, or Firm*—Michael P. Leary; Charles  
 E. Yocum; Adan Ayala

(56) **References Cited**

**U.S. PATENT DOCUMENTS**

D300,502 S 4/1989 Schultz  
 D300,503 S 4/1989 Schultz  
 D300,717 S 4/1989 Hasegawa et al.  
 D303,347 S 9/1989 Somers  
 D313,391 S 1/1991 Pudwill  
 D314,498 S 2/1991 Hoshino et al.  
 D314,698 S 2/1991 Zurwelle  
 D315,282 S 3/1991 Schmidt et al.  
 4,998,589 A 3/1991 Wiesendanger  
 D316,021 S 4/1991 Bunyea  
 5,083,620 A 1/1992 Fushiya et al.  
 D332,208 S 1/1993 Sakamoto et al.  
 D339,727 S 9/1993 Kikuchi  
 D340,394 S 10/1993 Okumura  
 D359,215 S 6/1995 Zurwelle  
 D362,167 S 9/1995 Zurwelle  
 D368,009 S 3/1996 Zurwelle  
 D368,214 S 3/1996 Zurwelle  
 D377,442 S 1/1997 Kituchi  
 D378,268 S 3/1997 Schultz

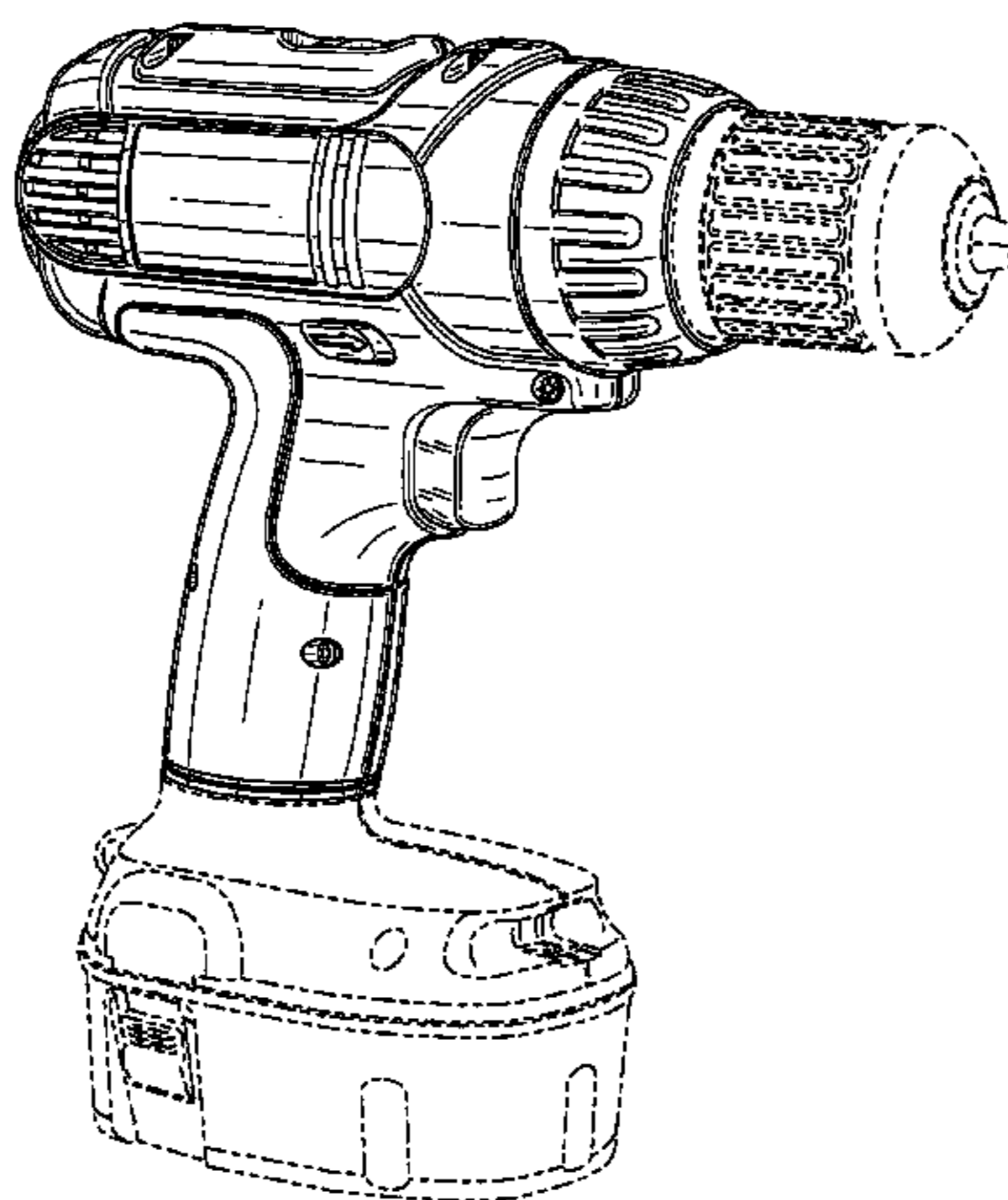
(57) **CLAIM**

The ornamental design for a drill/driver, as shown and described.

**DESCRIPTION**

FIG. 1 is a perspective view of a drill/driver showing our new design.  
 FIG. 2 is a front view thereof.  
 FIG. 3 is a rear view thereof.  
 FIG. 4 is a right side view thereof.  
 FIG. 5 is a left side view thereof.  
 FIG. 6 is a top view thereof; and,  
 FIG. 7 is a bottom view thereof.  
 The broken lines and the areas within the broken lines form no part of the claimed ornamental design.

**1 Claim, 7 Drawing Sheets**



# US D501,384 S

Page 2

## U.S. PATENT DOCUMENTS

D419,413 S 1/2000 Heun  
D420,877 S 2/2000 Schultz  
D420,879 S 2/2000 Watson et al.  
D421,883 S 3/2000 Watson et al.  
D424,902 S 5/2000 Gildersleeve et al.  
D428,320 S 7/2000 Ohi et al.  
D431,766 S 10/2000 Zurwelle  
D432,077 S 10/2000 Zurwelle et al.  
D435,013 S 12/2000 Clowers et al.  
D435,414 S 12/2000 Etter et al.  
D436,511 S 1/2001 Hayakawa et al.  
D437,759 S 2/2001 Breit et al.  
D440,850 S 4/2001 Ozawa et al.  
6,308,378 B1 10/2001 Mooty et al.  
D460,674 S 7/2002 Heun  
D462,248 S 9/2002 Cooper  
D462,592 S \* 9/2002 Cooper ..... D8/68  
D462,594 S \* 9/2002 Flickinger ..... D8/68  
6,446,734 B1 \* 9/2002 Williams et al. .... 173/213  
D466,386 S 12/2002 Zurwelle  
D466,777 S 12/2002 Watson  
D466,779 S 12/2002 Shibata et al.  
D467,147 S 12/2002 Watson  
D467,148 S 12/2002 Flickinger  
D467,481 S 12/2002 Watson  
D467,482 S 12/2002 Kunz et al.  
D467,483 S 12/2002 Heun  
D467,781 S 12/2002 Kunz et al.  
D469,674 S \* 2/2003 Chung ..... D8/68  
D469,675 S 2/2003 Chung  
D470,027 S 2/2003 Chunn et al.  
D470,028 S 2/2003 Cooper  
D470,378 S 2/2003 Chunn et al.  
D470,379 S 2/2003 Andriolo  
D471,419 S 3/2003 Chunn et al.  
D472,781 S 4/2003 Netzler  
6,552,904 B2 \* 4/2003 Fung ..... 173/217

D474,953 S 5/2003 Santarsiero et al.  
D475,596 S 6/2003 Ozawa et al.  
D477,974 S 8/2003 Chunn et al.  
D478,262 S 8/2003 Chunn et al.  
D479,456 S 9/2003 Murray et al.  
D482,253 S 11/2003 Cooper et al.  
D482,254 S 11/2003 Tsuzuki et al.  
D486,049 S 2/2004 Sugiura et al.  
D489,955 S \* 5/2004 Concari et al. .... D8/68  
D493,344 S \* 7/2004 Watson ..... D8/68  
D494,034 S \* 8/2004 Cheung ..... D8/68  
2002/0096343 A1 \* 7/2002 Potter et al. .... 173/178  
2003/0143042 A1 \* 7/2003 Doyle et al. .... 408/124

## FOREIGN PATENT DOCUMENTS

DE M 96 04 586 2/1997  
DE M 96 04 701 4/1997  
DE M 97 03 272 9/1997  
DE M 98 04 390 1/1999  
DE 499 02 246 10/1999  
DE 499 02 803 10/1999  
DE 499 11 374 5/2000  
DE 400 04 019 8/2000  
DE 400 03 708 9/2000  
DE 400 06 861 11/2000  
DE 401 05 815 11/2001  
DE 401 06 107 11/2001  
DE 402 09 997 4/2002  
DE 402 00 758 5/2002  
DE 402 00 908 5/2002  
DE 402 05 451 11/2002  
DE 403 01 818 8/2003  
DE 403 02 379 8/2003  
DE 403 03 557 10/2003  
DE DPMA 40304287 1/2004  
DE DPMA 40304892.3 4/2004

\* cited by examiner

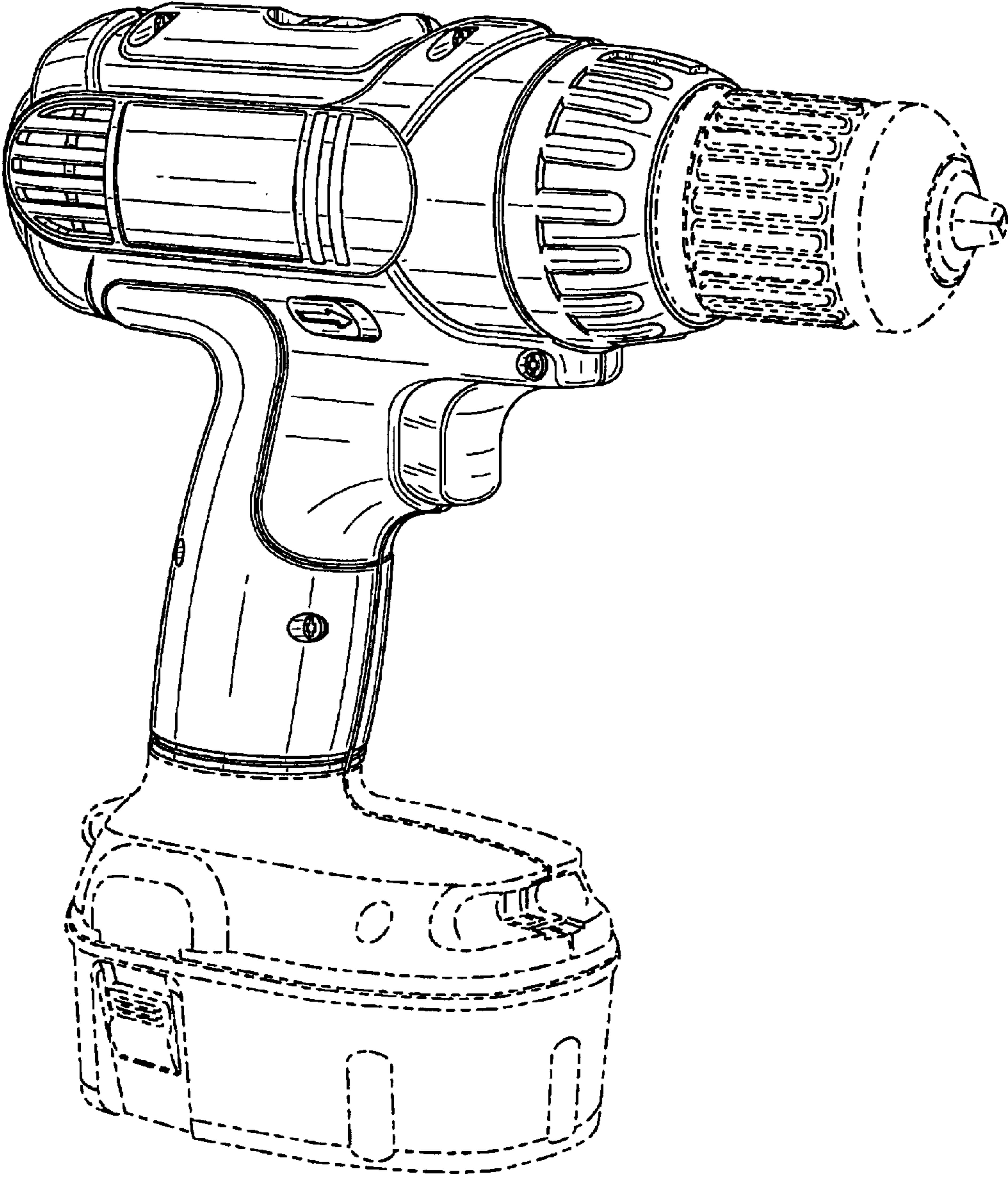


FIG. 1

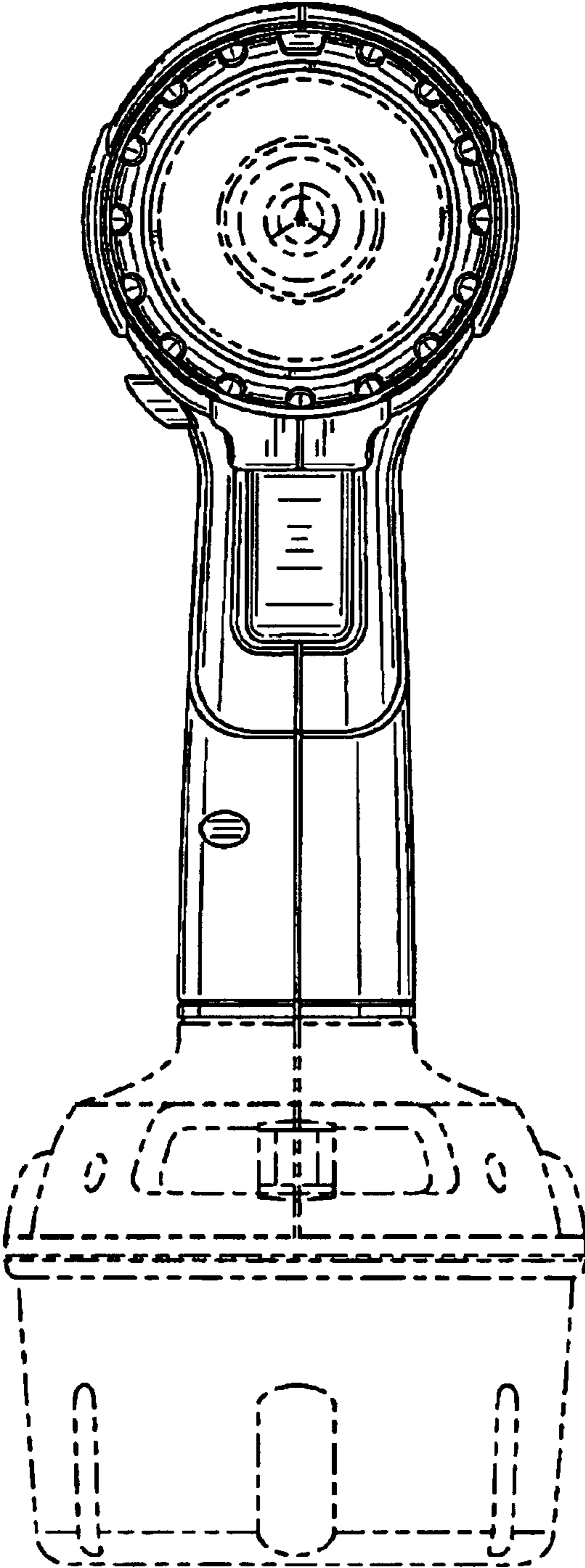


FIG. 2

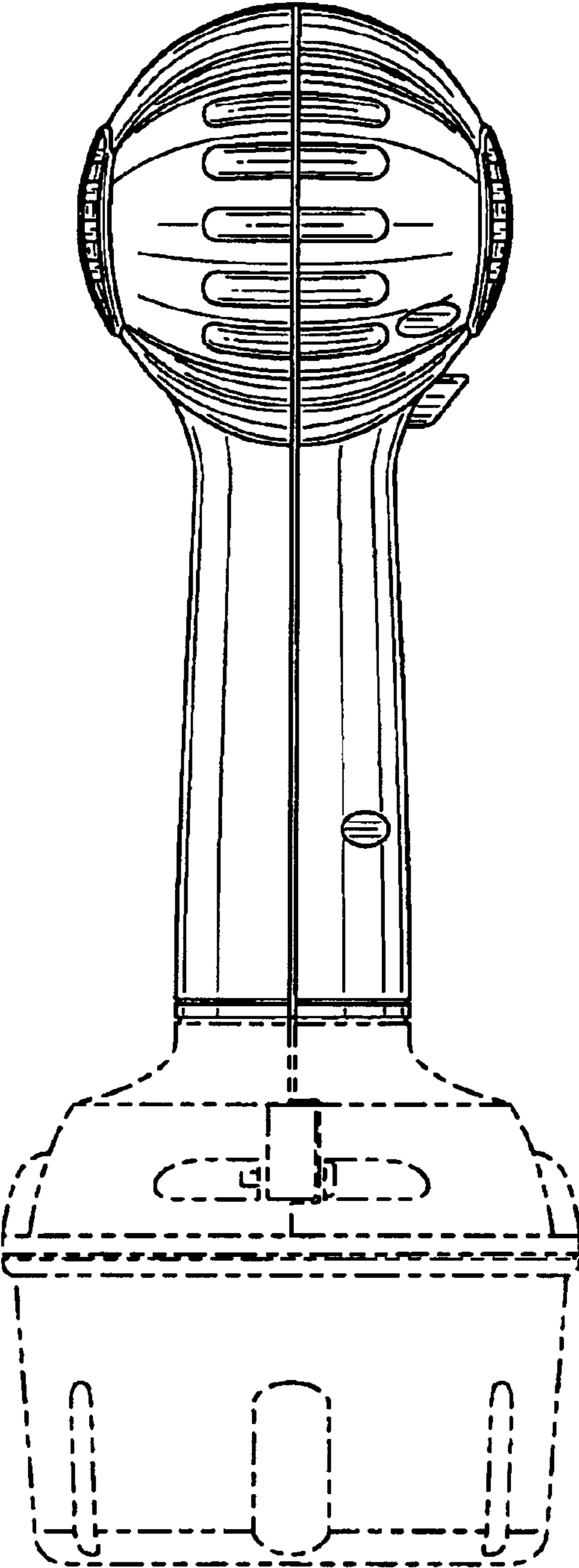


FIG. 3

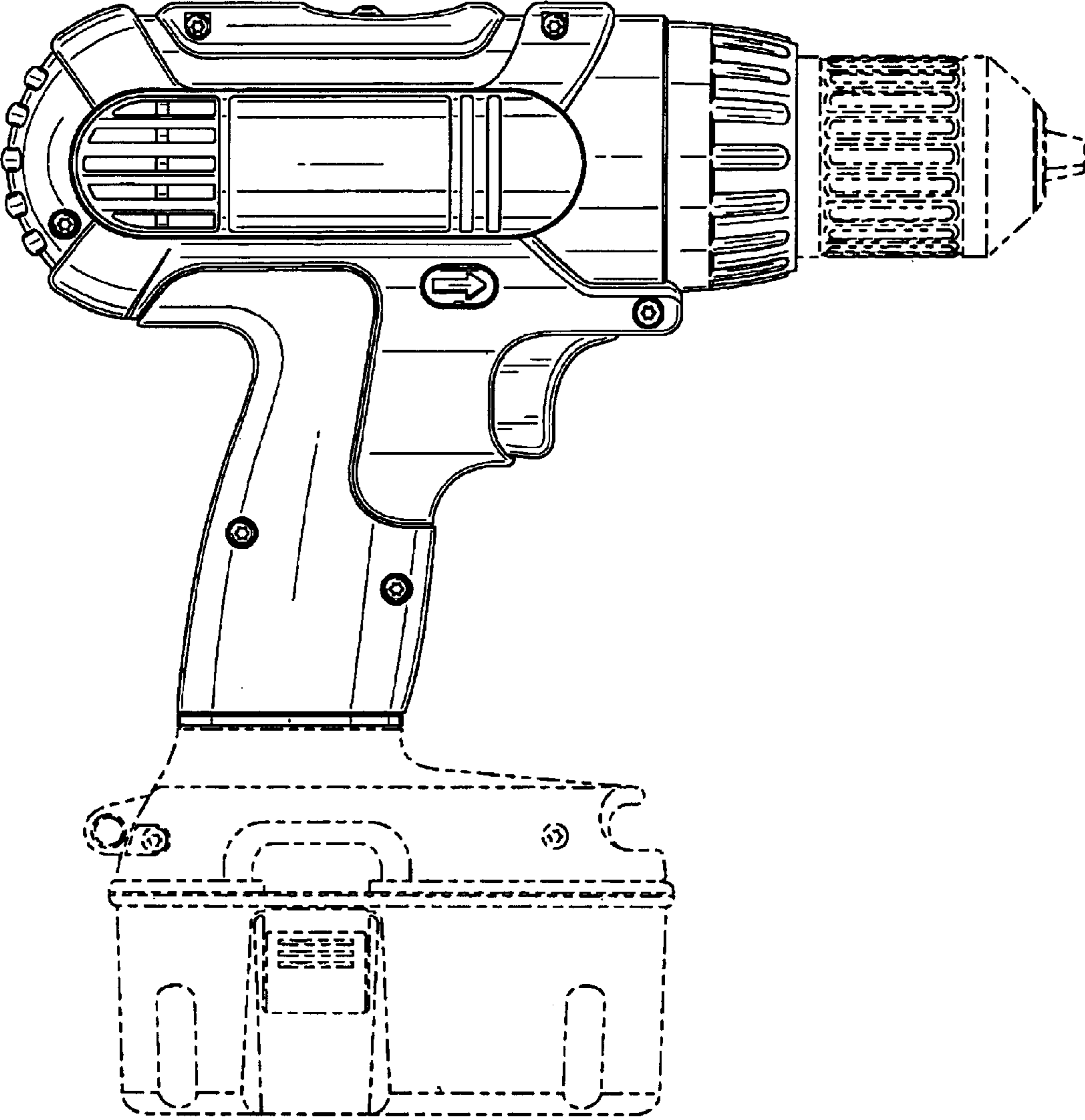


FIG. 4

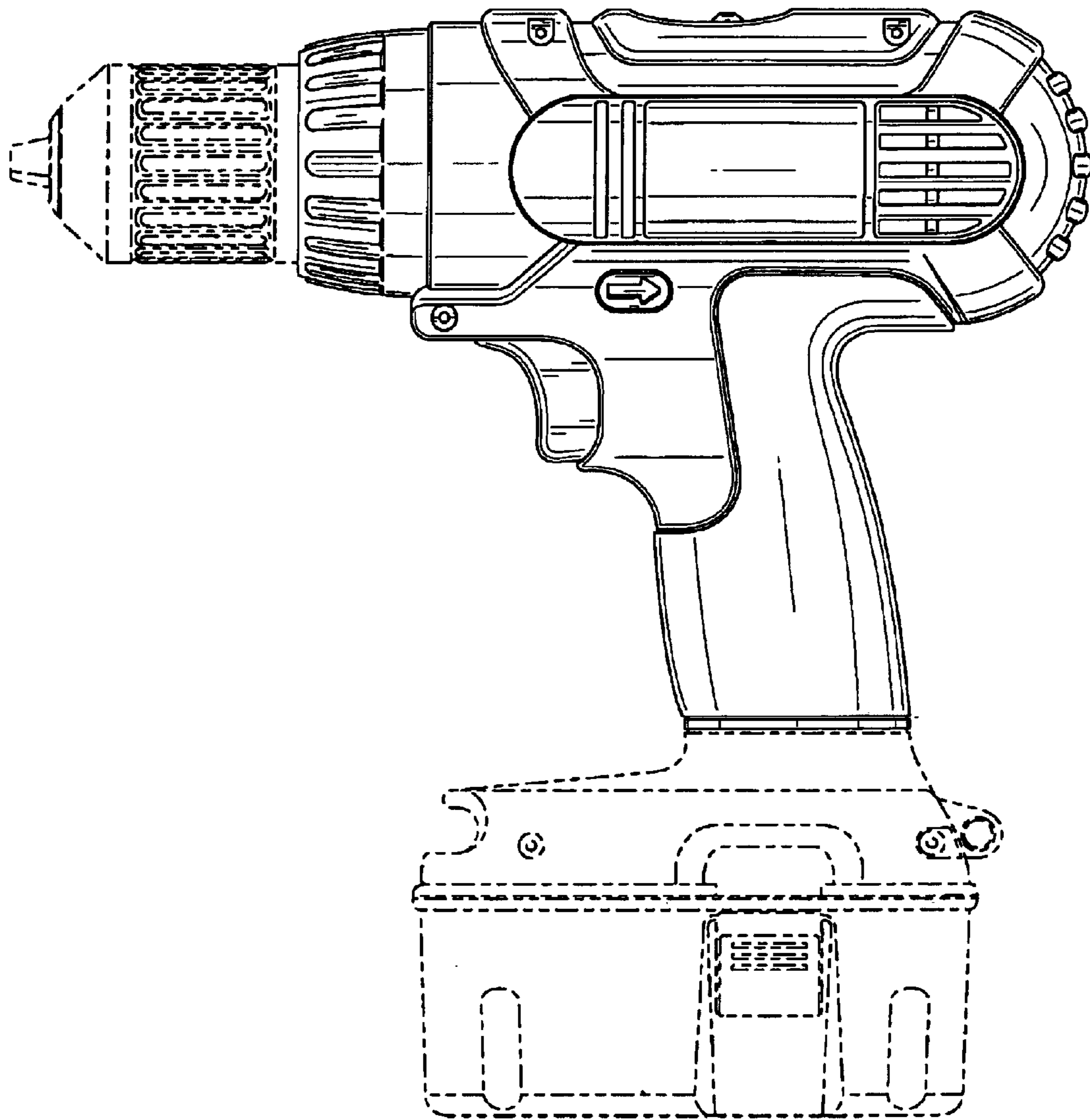


FIG. 5

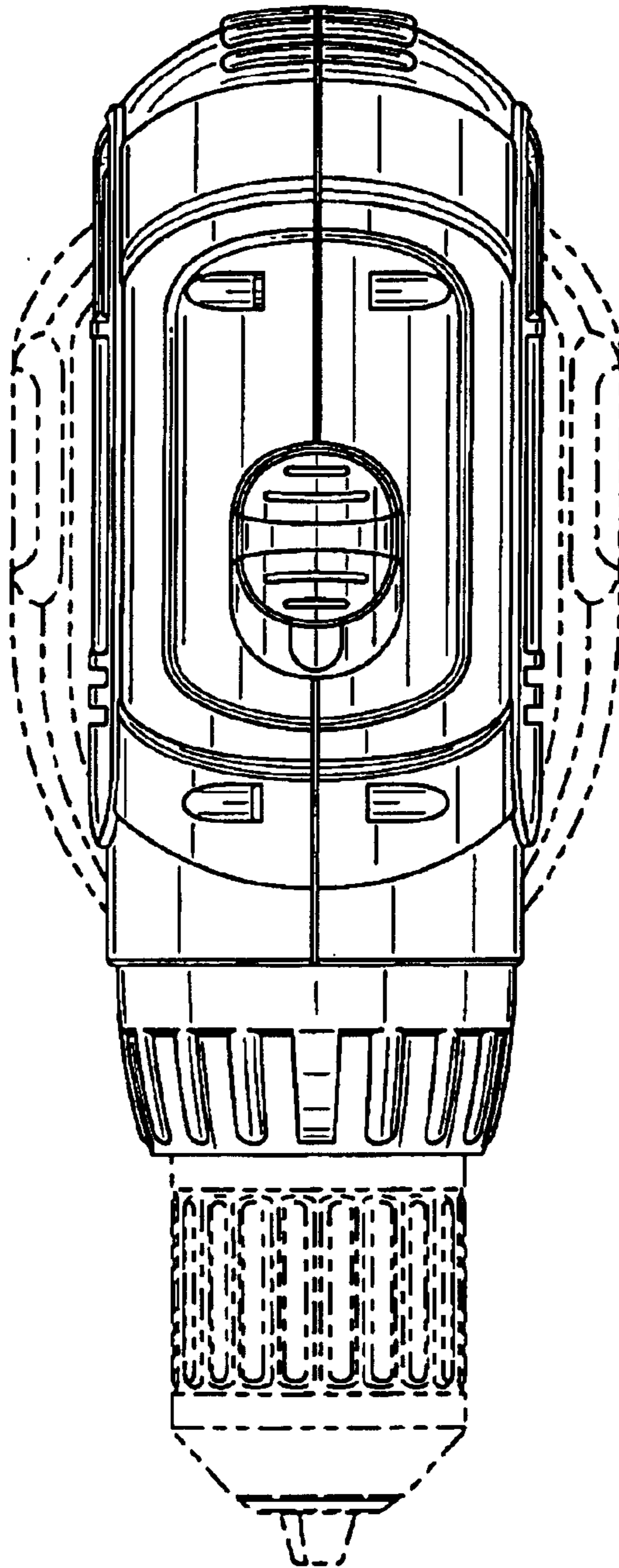


FIG. 6



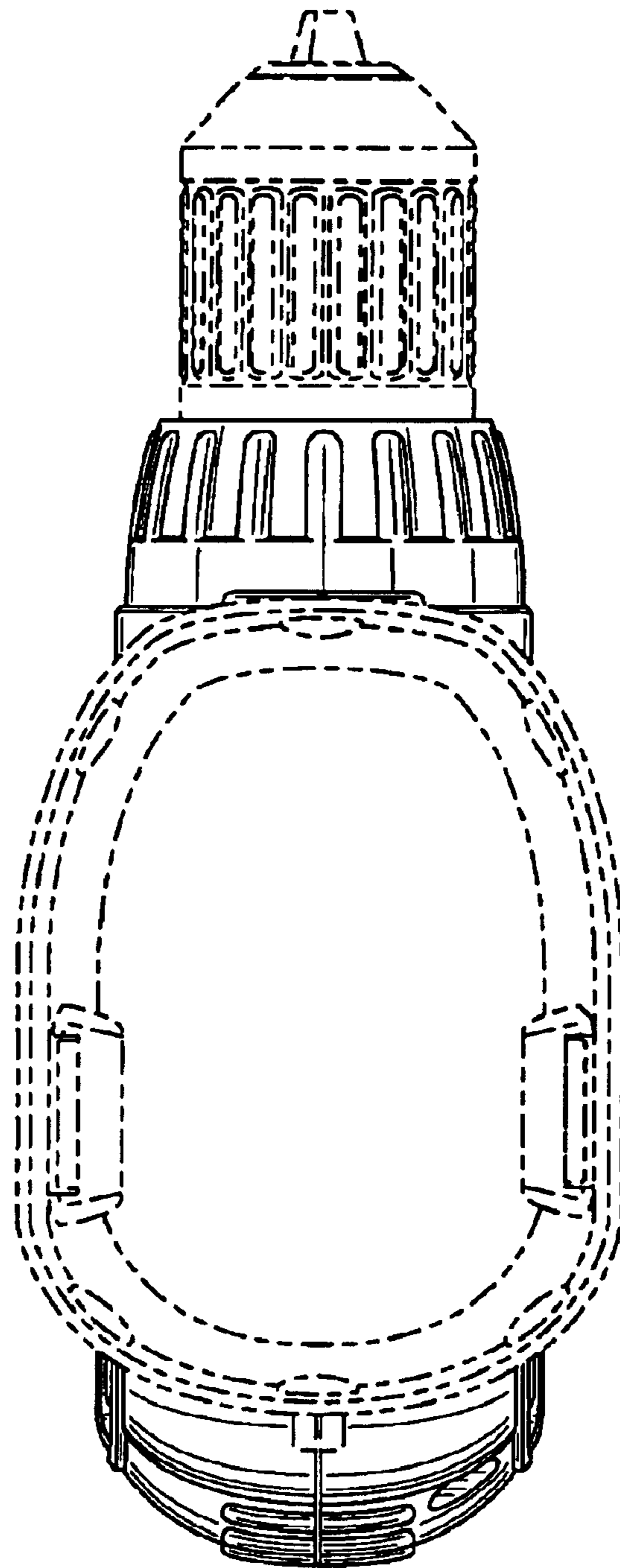


FIG. 7