

US00D501383S

(12) **United States Design Patent**
Fang et al.

(10) **Patent No.:** **US D501,383 S**

(45) **Date of Patent:** **** Feb. 1, 2005**

(54) **NAILER**

(75) **Inventors:** **Zheng Fang**, Cranston, RI (US);
Charles W. Hewitt, Warwick, RI (US);
William Palm, Kingston, RI (US);
Joseph R. Martone, Bristol, CT (US)

(73) **Assignee:** **Stanley Fastening Systems, L.P.**,
Greenwich, RI (US)

(**) **Term:** **14 Years**

(21) **Appl. No.:** **29/182,223**

(22) **Filed:** **May 22, 2003**

(51) **LOC (7) Cl.** **08-05**

(52) **U.S. Cl.** **D8/68; D8/69**

(58) **Field of Search** D8/14.1, 61, 62,
D8/63, 64, 65, 66, 67, 68, 69, 70; 81/57.11,
429, 464, 465, 466, 469, 489; 173/13, 169,
178, 213, 217; 227/8, 114, 120, 130, 136,
142; 310/50; 408/20, 124, 125, 234, 241 R;
451/358

(56) **References Cited**

U.S. PATENT DOCUMENTS

4,811,882 A	*	3/1989	Steeves et al.	227/8
D307,234 S	*	4/1990	Fushiya et al.	D8/69
D334,329 S	*	3/1993	Ogawa et al.	D8/69
D337,252 S	*	7/1993	Tsuru et al.	D8/69
5,240,161 A	*	8/1993	Kaneko	227/136
D377,592 S	*	1/1997	Hattori	D8/69
5,628,445 A	*	5/1997	Braddock et al.	227/120
D379,912 S	*	6/1997	Burke et al.	D8/68
D392,170 S	*	3/1998	Hattori	D8/68

5,743,455 A	*	4/1998	Holliday	227/142
5,842,625 A	*	12/1998	Kimura	227/136
5,862,970 A	*	1/1999	Cougar	227/130
6,032,848 A	*	3/2000	Smolinski	227/120
6,095,393 A	*	8/2000	Smolinski	227/136
6,152,346 A	*	11/2000	Laubach	227/136
D435,205 S	*	12/2000	Etter et al.	D8/68
6,161,744 A	*	12/2000	Mukoyama et al.	D8/68
D466,781 S	*	12/2002	Matsuoka et al.	D8/68
D474,091 S	*	5/2003	Arai	D8/68
D474,386 S	*	5/2003	Arai	D8/68
D477,514 S	*	7/2003	Chen	D8/68
6,672,497 B2	*	1/2004	Lin	227/120

* cited by examiner

Primary Examiner—Joel Sincavage

Assistant Examiner—T. Chase Nelson

(74) *Attorney, Agent, or Firm*—Pillsbury Winthrop LLP

(57) **CLAIM**

The ornamental design for a nailer, as shown and described.

DESCRIPTION

FIG. 1 is a left side view according to our design;

FIG. 2 is a front view thereof;

FIG. 3 is a top view thereof;

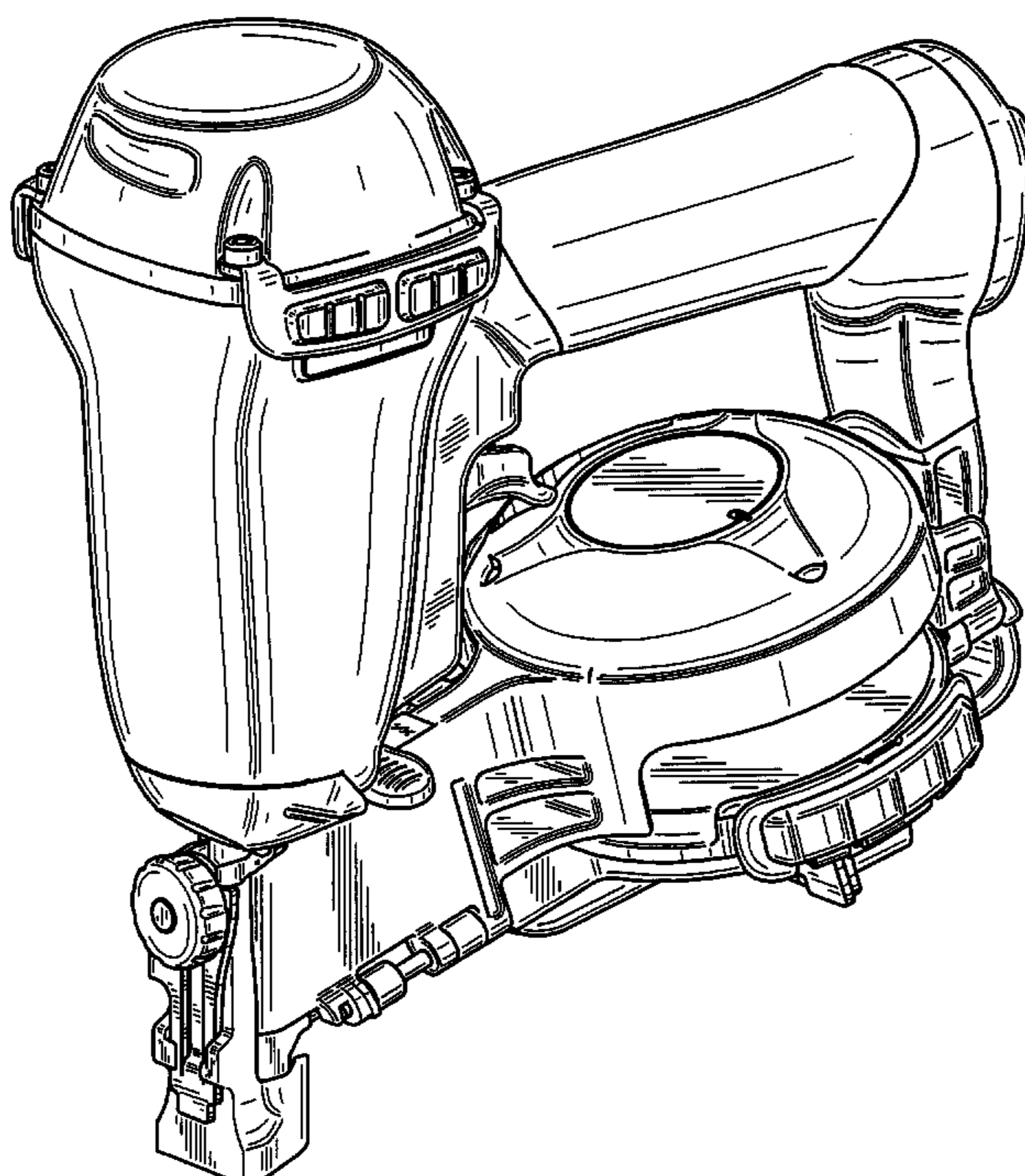
FIG. 4 is a bottom side view thereof;

FIG. 5 is a side perspective view of the nailer in a closed position thereof; and,

FIG. 6 is a side perspective view of the nailer in an open position thereof.

The surfaces of the nailer not shown in the drawing views are understood to form no part of the claimed design.

1 Claim, 5 Drawing Sheets



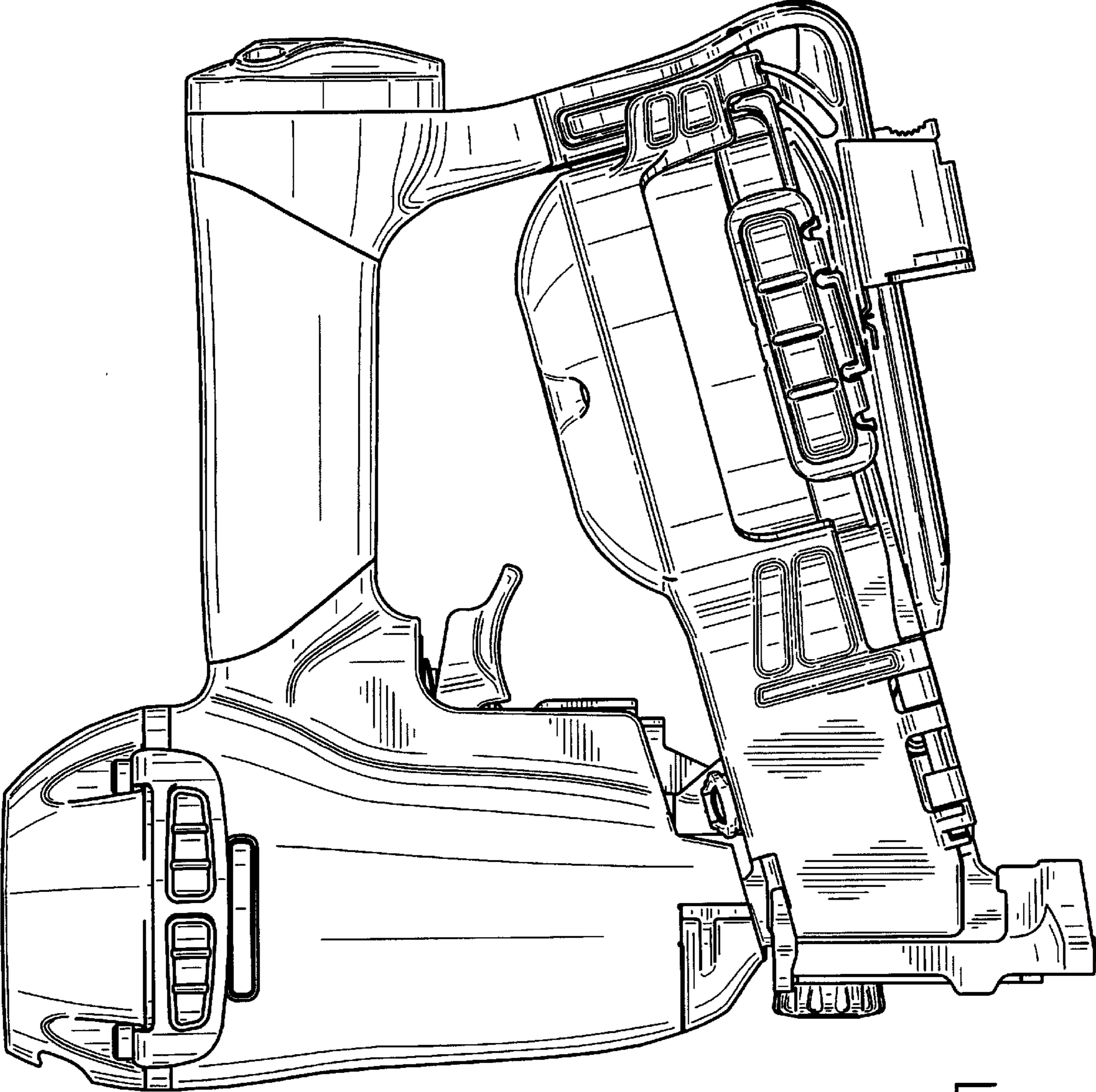


FIG. 1

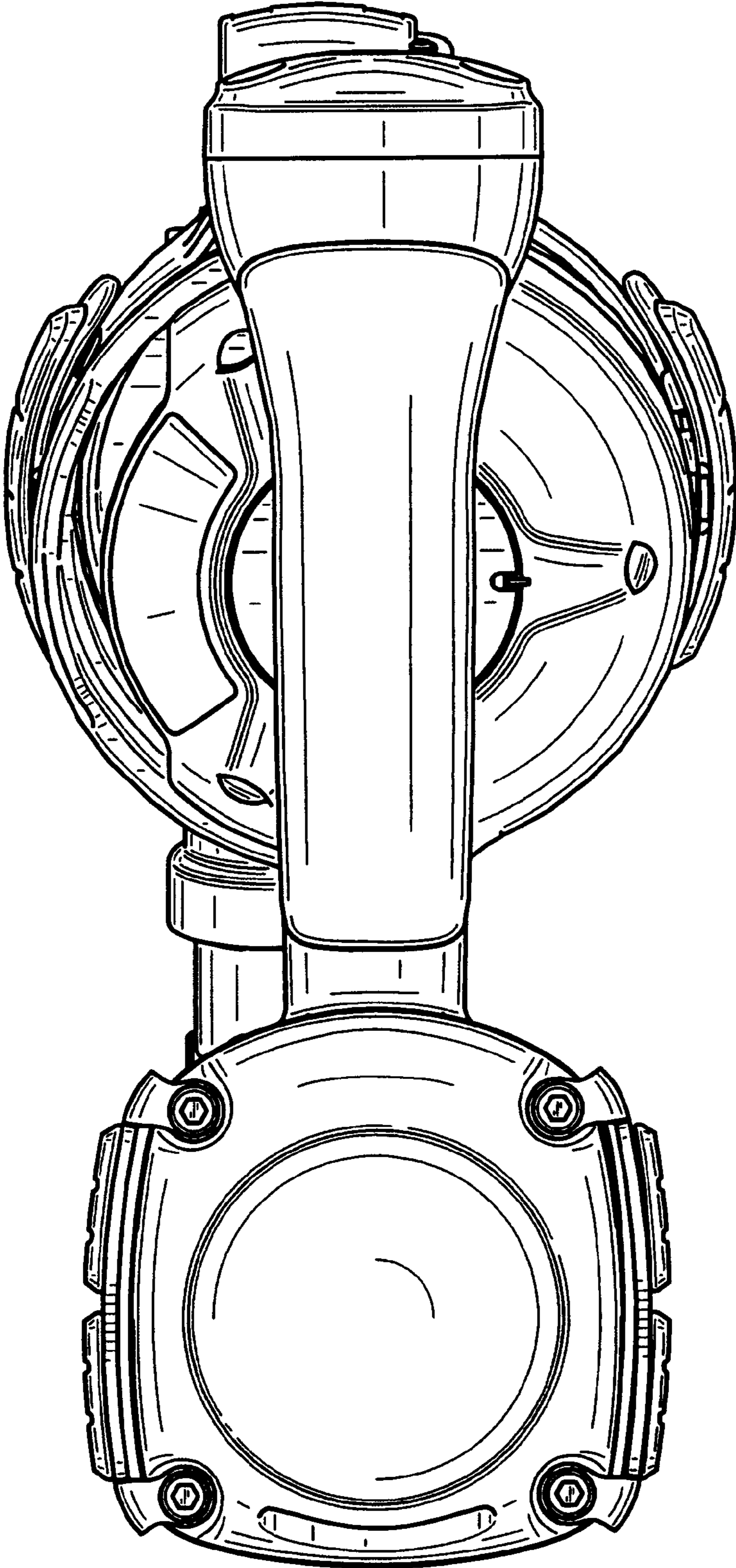


FIG. 2

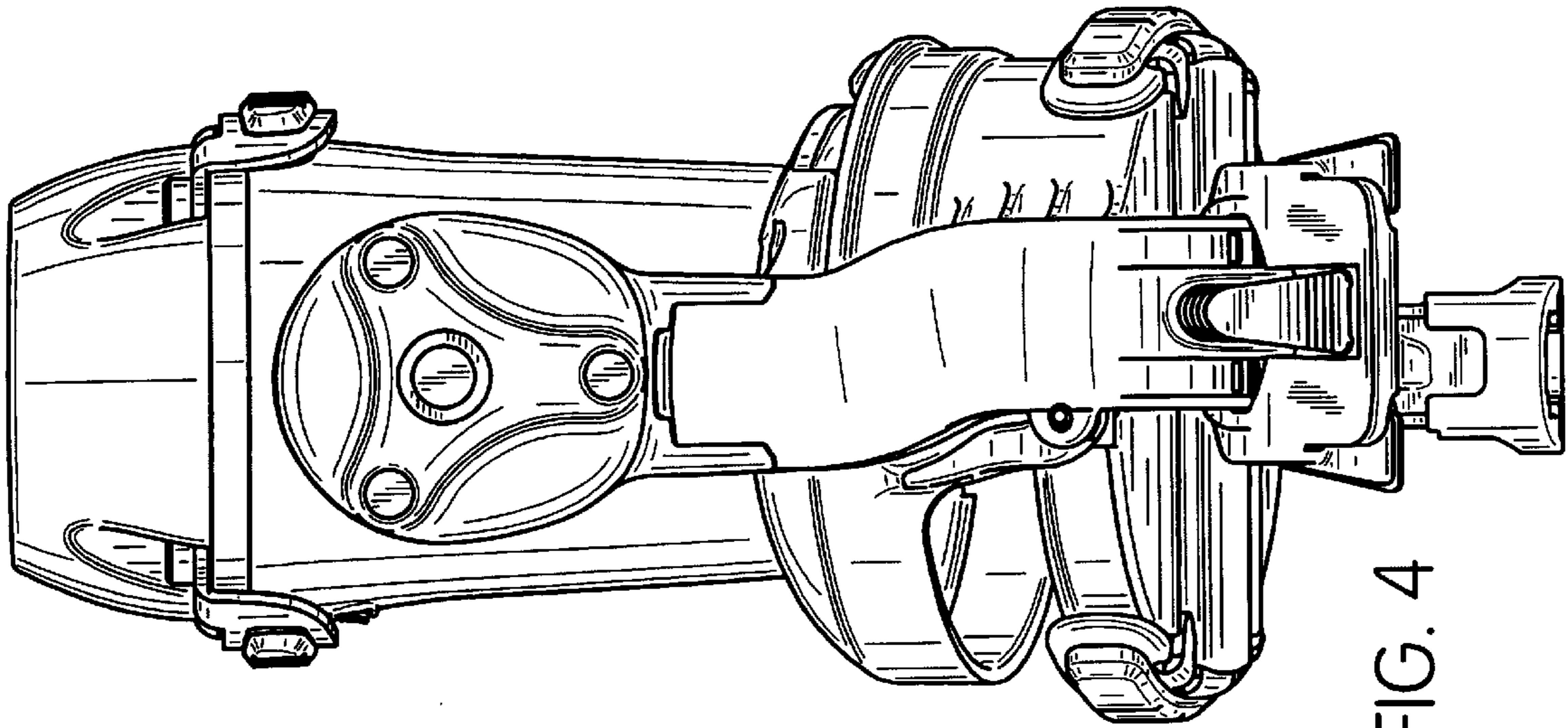


FIG. 4

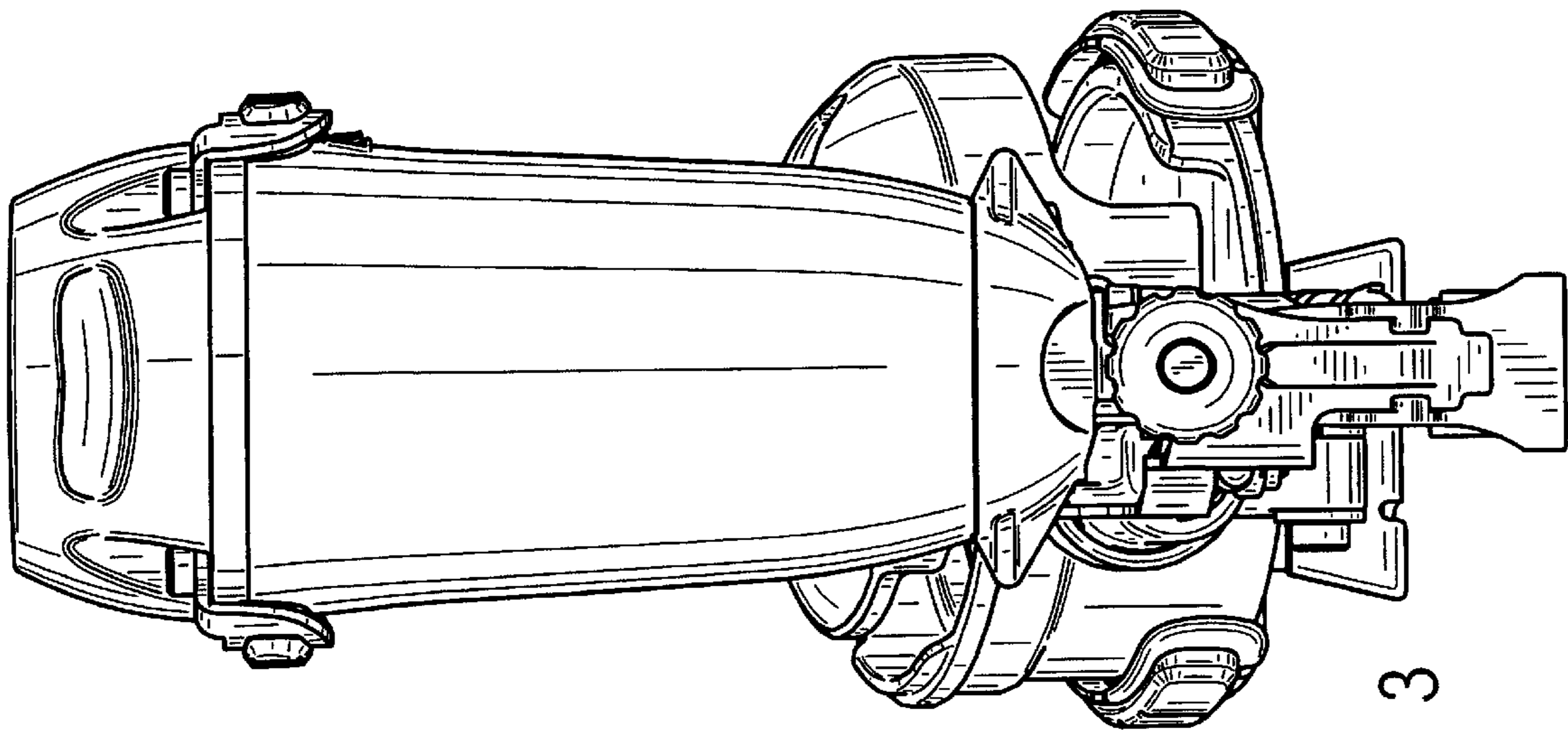


FIG. 3

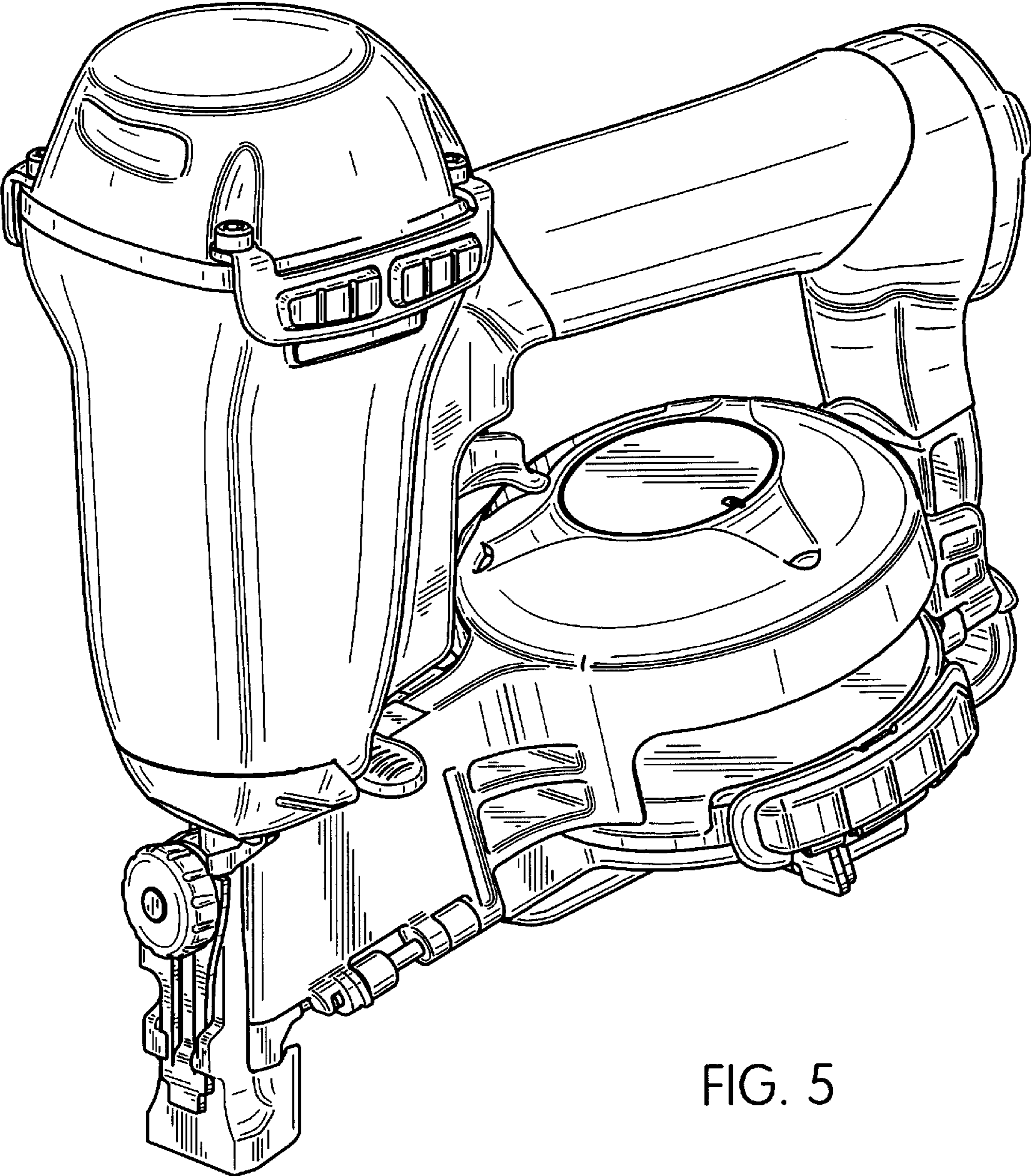


FIG. 5

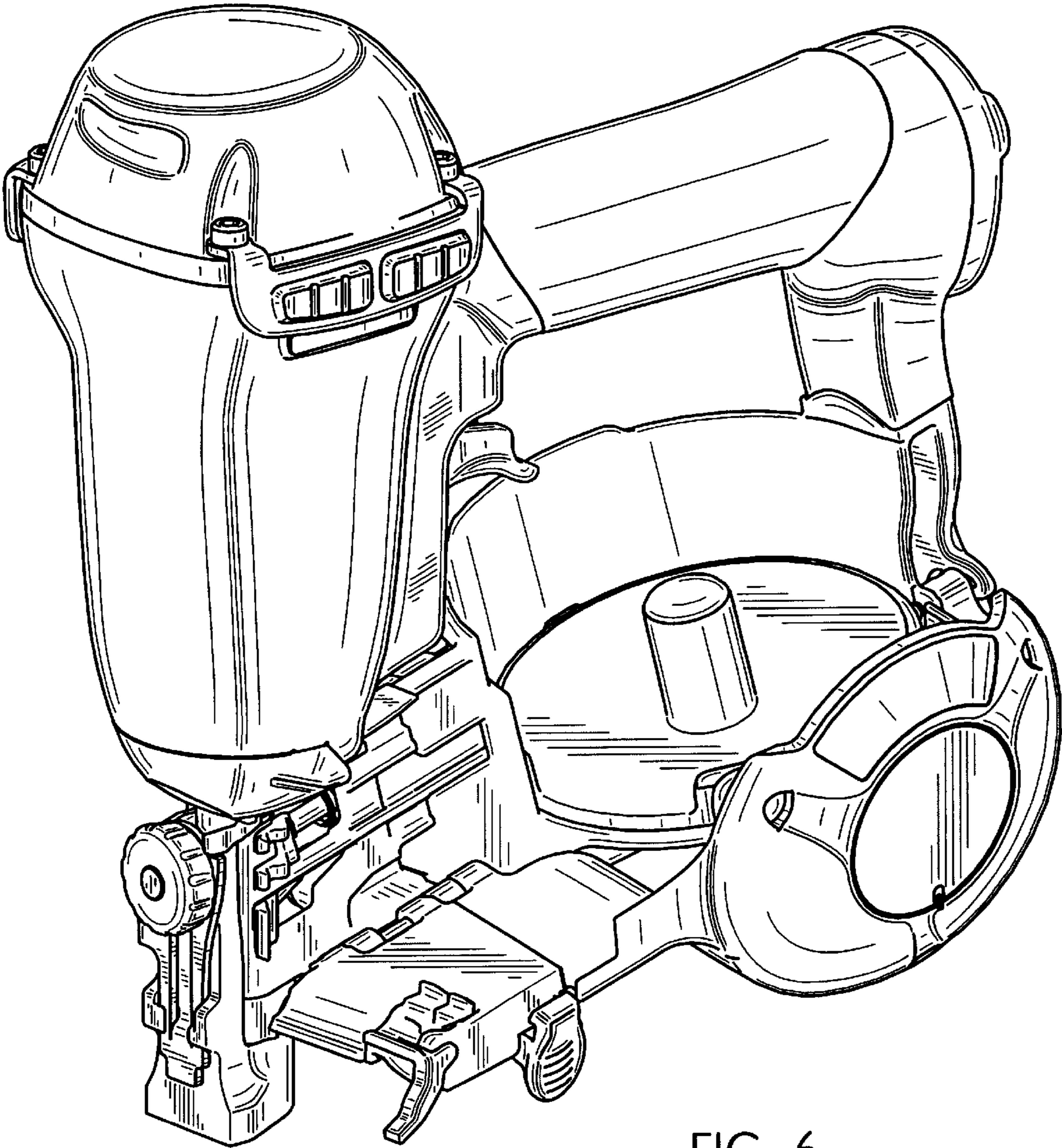


FIG. 6