

US00D501382S

(12) **United States Design Patent**  
**Macauley et al.**

(10) **Patent No.:** **US D501,382 S**  
(45) **Date of Patent:** **\*\* Feb. 1, 2005**

(54) **BOTTLE OPENER**

FOREIGN PATENT DOCUMENTS

(75) Inventors: **R. Peter Macauley**, Westerville, OH (US); **Elwood L. Stokesbury**, Westerville, OH (US); **Maria Stojkov**, Gahanna, OH (US)

EP	0 922 665	12/1998
SE	97945	11/1939
WO	83/02265	7/1983
WO	96/02457	2/1996
WO	98/37010	8/1998

(73) Assignee: **Abbott Laboratories**, Abbott Park, IL (US)

\* cited by examiner

(\*\*) Term: **14 Years**

*Primary Examiner*—Caron D. Veynar  
(74) *Attorney, Agent, or Firm*—David L. Weinstein

(21) Appl. No.: **29/194,362**

(57) **CLAIM**

(22) Filed: **Nov. 21, 2003**

The ornamental design for a bottle opener, as shown and described.

(51) **LOC (7) Cl.** ..... **07-99**

(52) **U.S. Cl.** ..... **D8/18; D8/40**

(58) **Field of Search** ..... D8/16–20, 33–35, D8/38–43, 88, 89, 105; 7/138, 151–166; 30/1.5, 169, 400–450; 81/3.05–3.49; 294/15

**DESCRIPTION**

FIG. 1 is a top, front perspective view of a bottle opener showing our new design, the broken line showing of an opening is for illustrative purposes only and forms no part of the claimed design;

(56) **References Cited**

U.S. PATENT DOCUMENTS

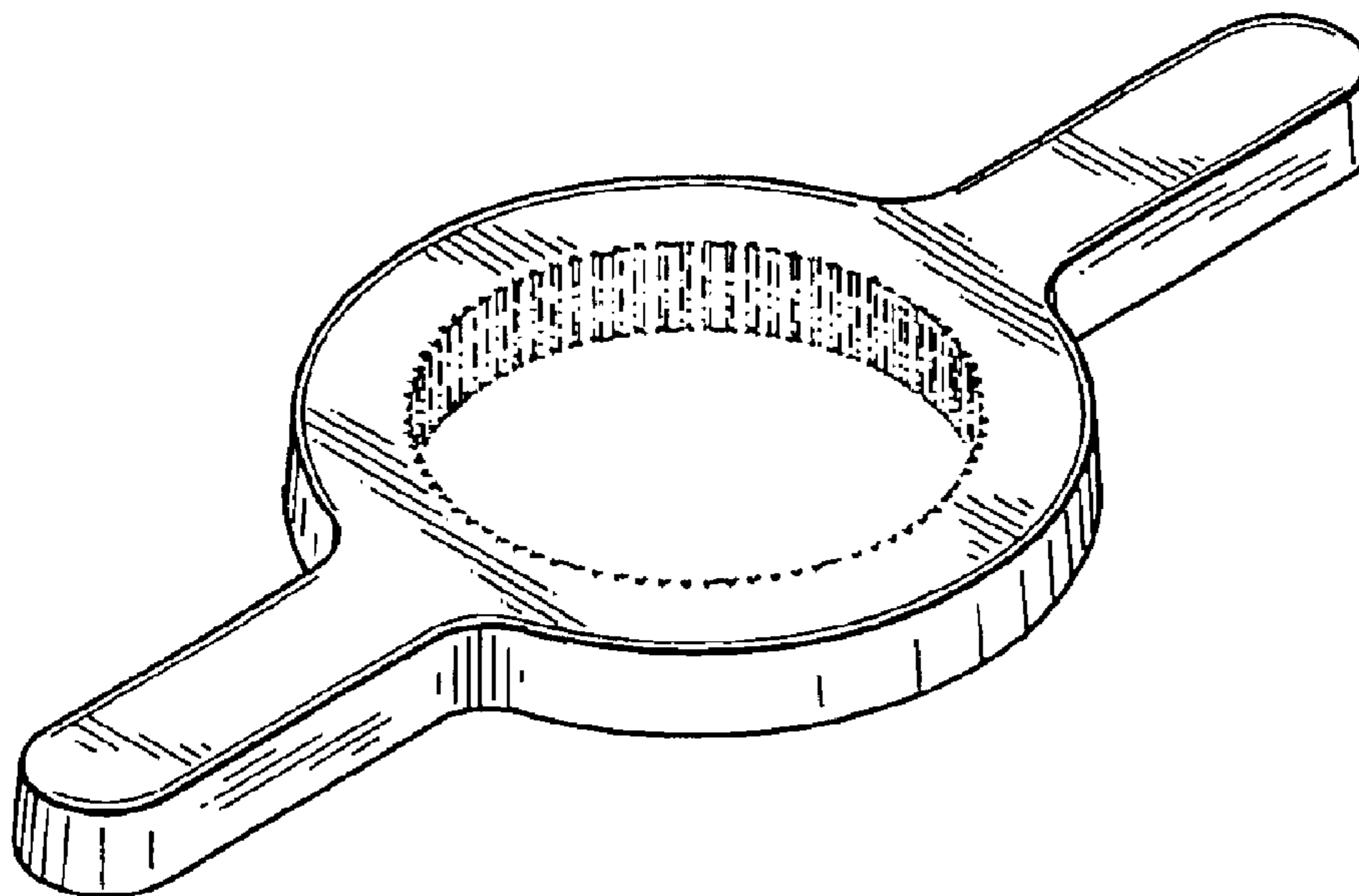
220,241	A	*	10/1879	Hilton	.....	30/410
800,737	A	*	10/1905	Graf	.....	81/3.44
1,919,866	A		7/1933	Schacht		
2,589,693	A		3/1952	Hess		
D215,807	S	*	11/1969	Weingardt	.....	D8/40
3,978,871	A		9/1976	Huston		
4,337,678	A		7/1982	Mumford		
4,967,622	A		11/1990	Phillips		
D346,102	S	*	4/1994	Ogden	.....	D8/40

FIG. 2 is a top plan view of the bottle opener of FIG. 1; FIG. 3 is a front elevational view of the bottle opener of FIG. 1, which due to the symmetry of the design is also typical of the rear elevational view;

FIG. 4 is a left end elevational view of the bottle opener of FIG. 1, which due to the symmetry of the design is typical of the right elevation view; and,

FIG. 5 is a bottom plan view of the bottle opener of FIG. 1.

**1 Claim, 2 Drawing Sheets**



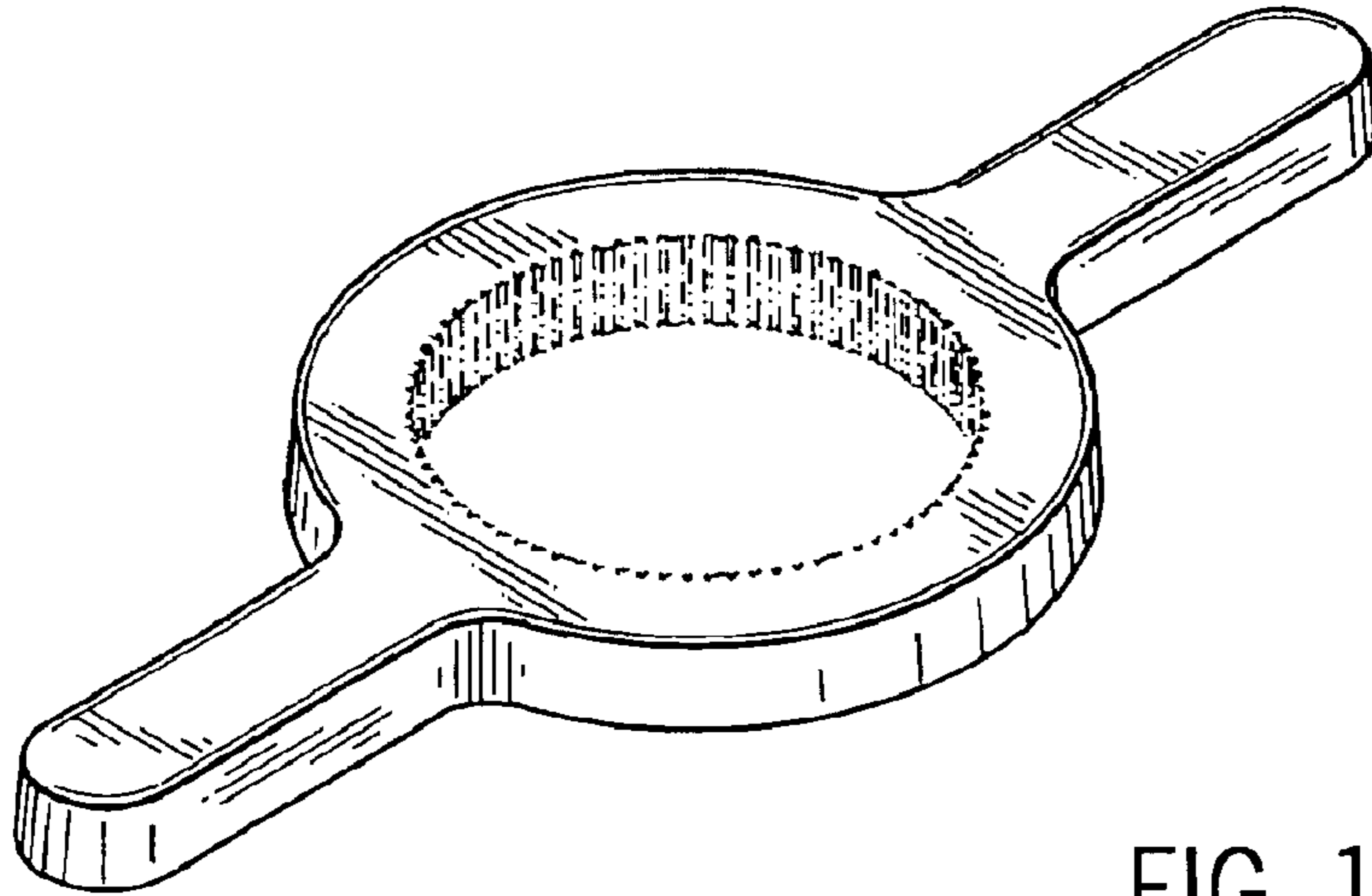


FIG. 1

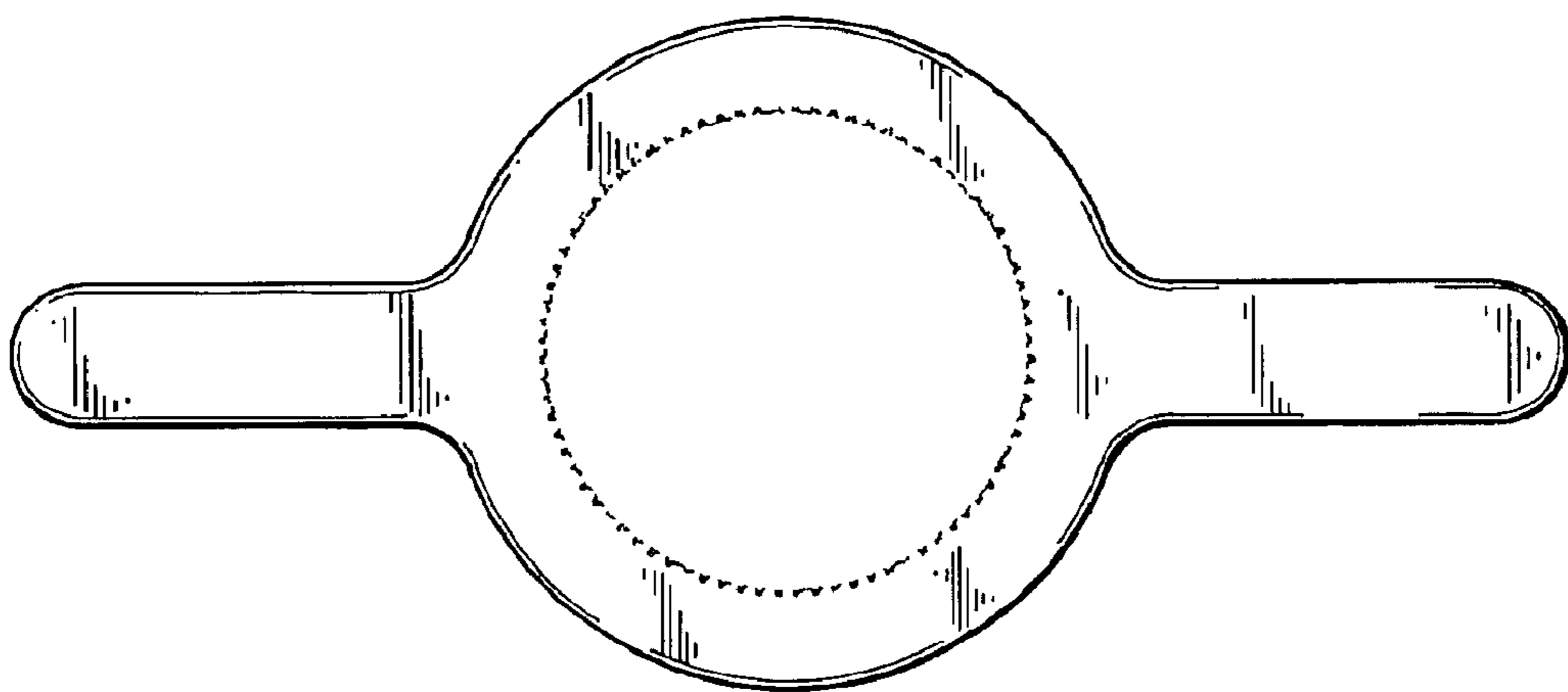


FIG. 2



FIG. 3



FIG. 4

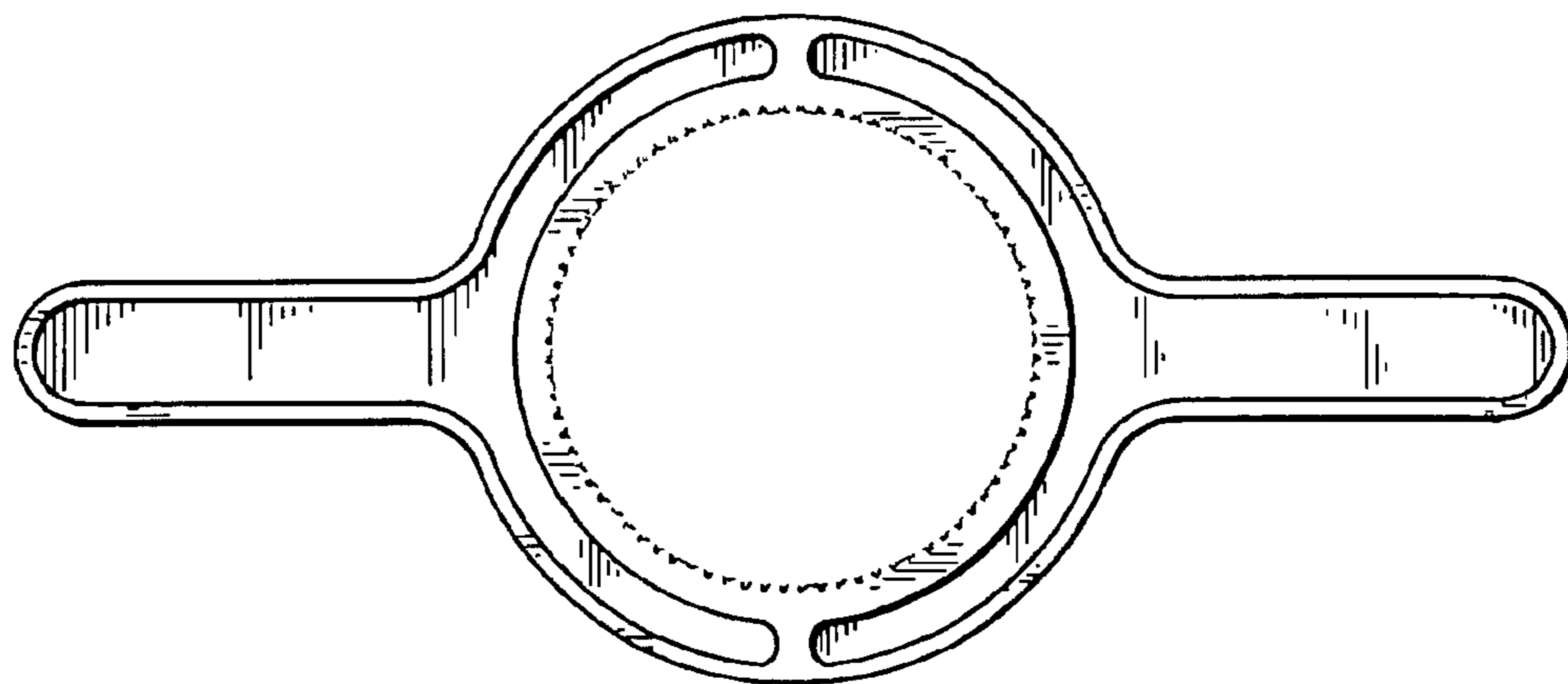


FIG. 5