

US00D501378S

(12) **United States Design Patent**
Tatic

(10) **Patent No.:** **US D501,378 S**
(45) **Date of Patent:** **** Feb. 1, 2005**

- (54) **GARDEN SCISSORS**
- (75) Inventor: **Aleksandar Tatic**, Milan (IT)
- (73) Assignee: **Gardena Manufacturing GmbH** (DE)
- (**) Term: **14 Years**
- (21) Appl. No.: **29/199,349**
- (22) Filed: **Feb. 13, 2004**
- (30) **Foreign Application Priority Data**
Aug. 15, 2003 (DE) 403 05 374
- (51) **LOC (7) Cl.** **08-01**
- (52) **U.S. Cl.** **D8/5**
- (58) **Field of Search** D8/5; 30/251–252,
30/261–262

(56) **References Cited**

U.S. PATENT DOCUMENTS

D462,586 S * 9/2002 Halpern et al. D8/5
D463,227 S * 9/2002 Choi D8/5

OTHER PUBLICATIONS

Felco brochure “Swiss+Made” Jul. 2000, pp. 3 and 6.
Fiskars catalog “Gartenschneidgerate” 2001, pp. 8 and 13.
Wolf Garten catalog “Sortiment Saison 2001” 2000, pp. 22
and 24.

Corona catalog “The Professional Edge” 2000, pp. 7, 15, 17,
29 and three others.

* cited by examiner

Primary Examiner—Holly Baynham
(74) *Attorney, Agent, or Firm*—Akerman Senterfitt

(57) **CLAIM**

The ornamental design for garden scissors, as shown and
described.

DESCRIPTION

- FIG. 1: is a side perspective view of the garden scissors
showing my new design;
- FIG. 2: is a side elevation view thereof;
- FIG. 3: is a front elevation view thereof;
- FIG. 4: is the opposite side elevation view thereof;
- FIG. 5: is a bottom plan view thereof;
- FIG. 6: is a rear elevation view thereof; and,
- FIG. 7: is a top plan view thereof.

1 Claim, 3 Drawing Sheets

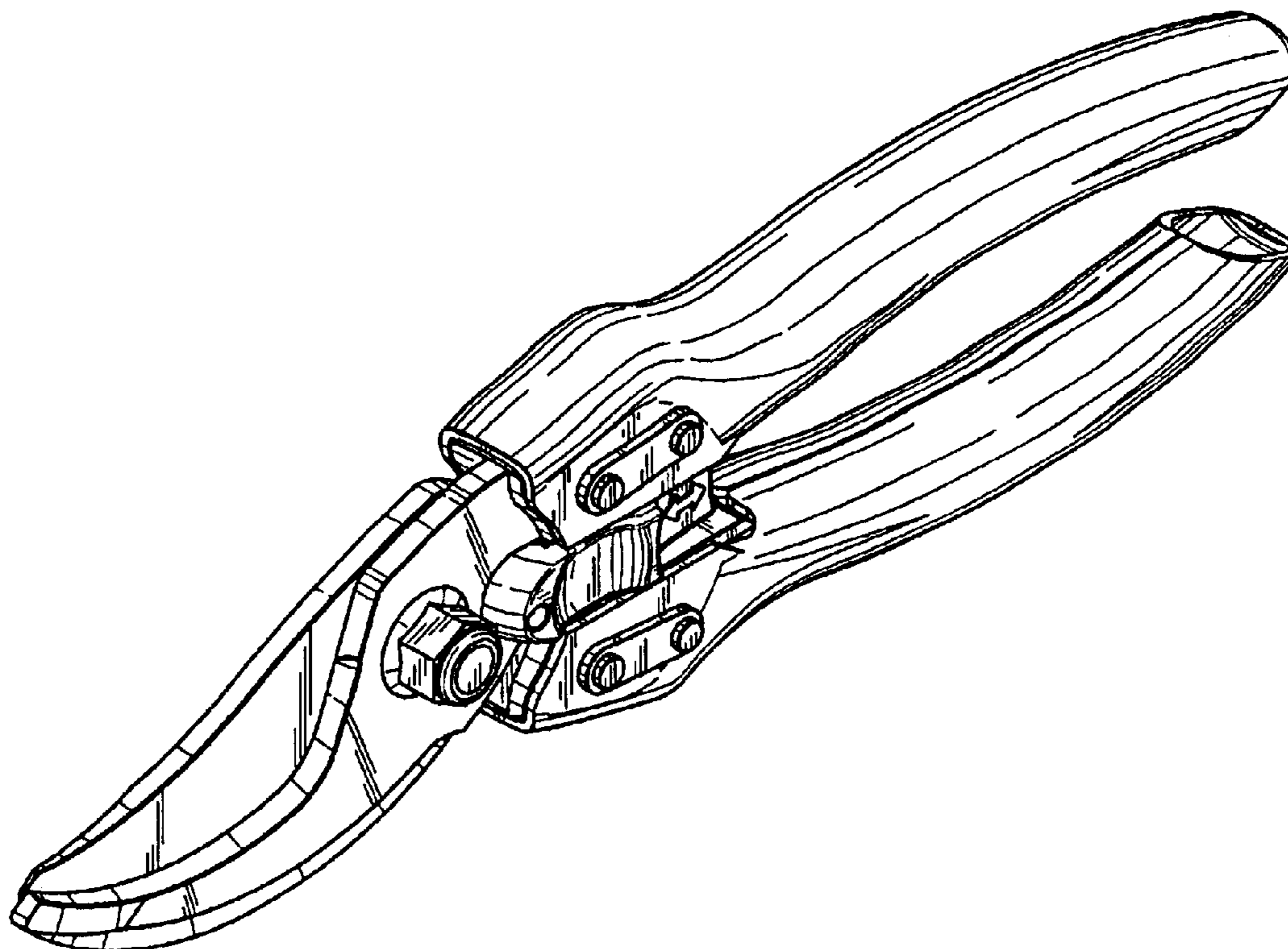


FIG. 1

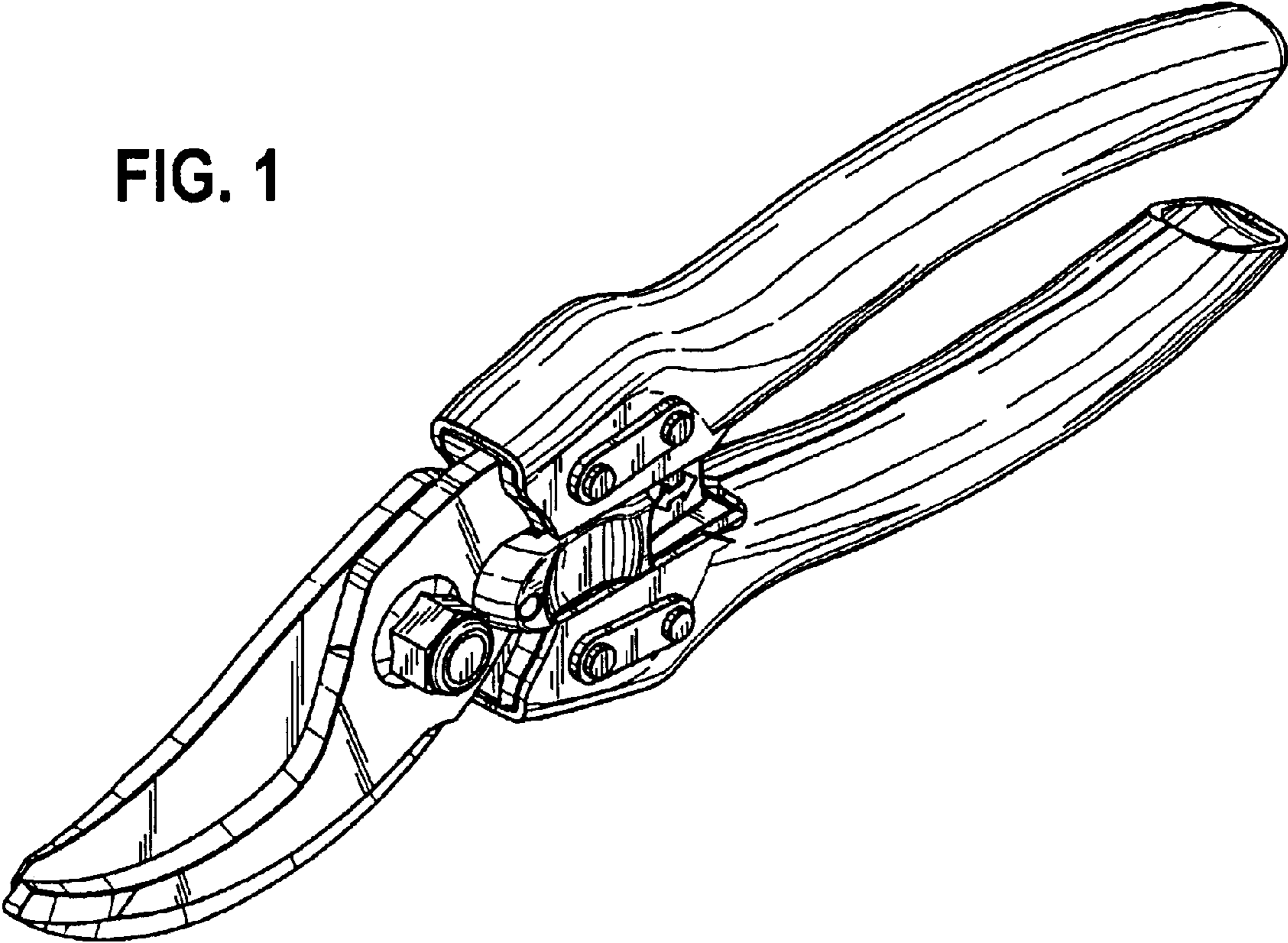


FIG. 2

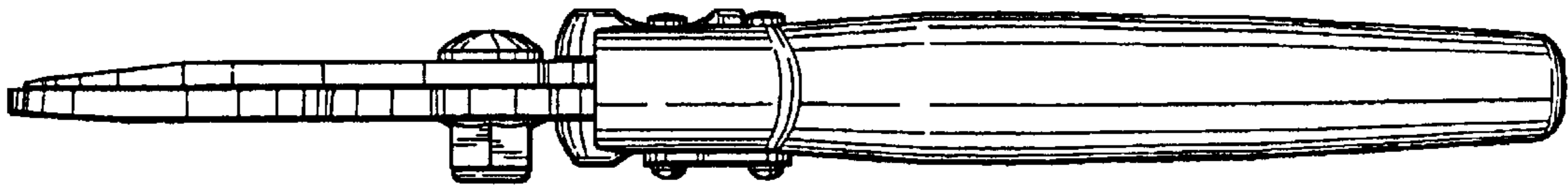


FIG. 3

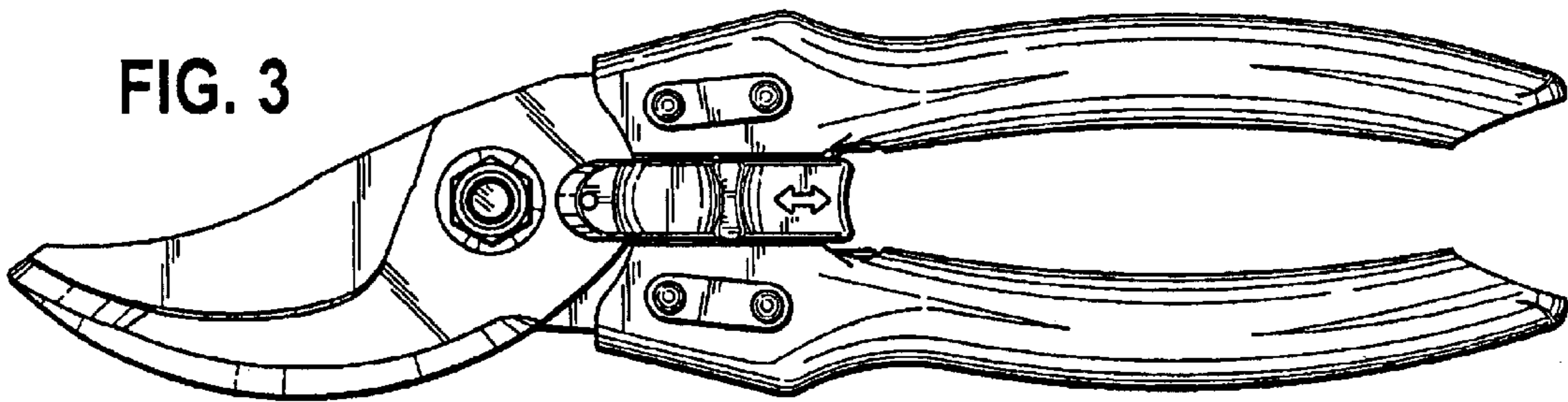


FIG. 4

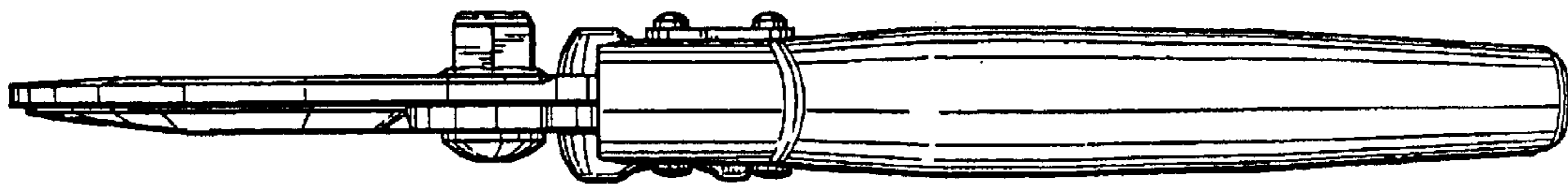


FIG. 7

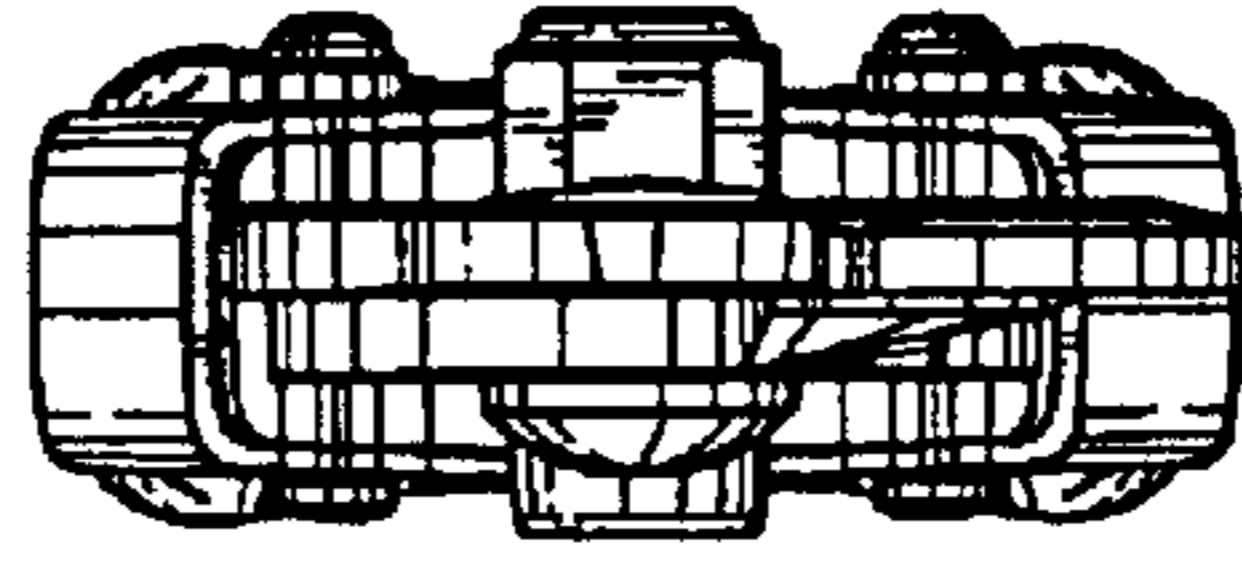


FIG. 6

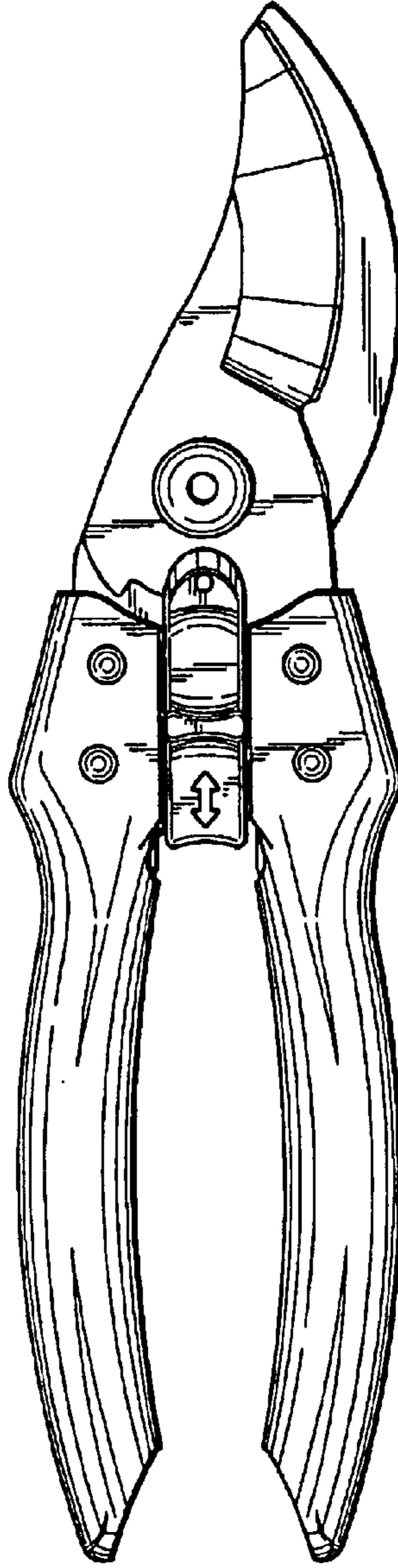


FIG. 5

