

US00D501377S

(12) **United States Design Patent**
Sanfilippo et al.

(10) **Patent No.:** **US D501,377 S**

(45) **Date of Patent:** **** Feb. 1, 2005**

(54) **DISPENSER FUNNEL**

(76) Inventors: **John E. Sanfilippo**, 707 Plumtree,
Barrington Hills, IL (US) 60010; **James
J. Sanfilippo**, 799 Plumtree, Barrington
Hills, IL (US) 60010

(**) Term: **14 Years**

(21) Appl. No.: **29/196,291**

(22) Filed: **Dec. 23, 2003**

(51) **LOC (7) Cl.** **07-99**

(52) **U.S. Cl.** **D7/700; D7/669; D7/590**

(58) **Field of Search** **D7/589, 669, 590,
D7/700; D9/447; 141/95, 98, 297-300,
331-345; 222/470-474, 465.1, 309, 336-341,
510**

(56) **References Cited**

U.S. PATENT DOCUMENTS

3,150,802 A * 9/1964 Pribyl 222/309
3,260,419 A * 7/1966 Weimer et al. 222/309

D208,261 S * 8/1967 Alkonis D7/669
3,982,570 A * 9/1976 Devoe 141/95
D279,068 S * 6/1985 Burin D7/700
D332,035 S * 12/1992 Pigott D7/700

* cited by examiner

Primary Examiner—Terry A. Wallace
(74) *Attorney, Agent, or Firm*—Cardinal Law Group

(57) **CLAIM**

The ornamental design for dispenser funnel, as shown and described.

DESCRIPTION

FIG. 1 is an isometric view of the dispenser funnel;
FIG. 2 is a front view of the dispenser funnel;
FIG. 3 is a top view of the dispenser funnel;
FIG. 4 is a side view of the dispenser funnel; and,
FIG. 5 is a side view of the dispenser funnel.
The broken lines in the figures are for illustrative purposes only and form no part of the claimed design.

1 Claim, 5 Drawing Sheets

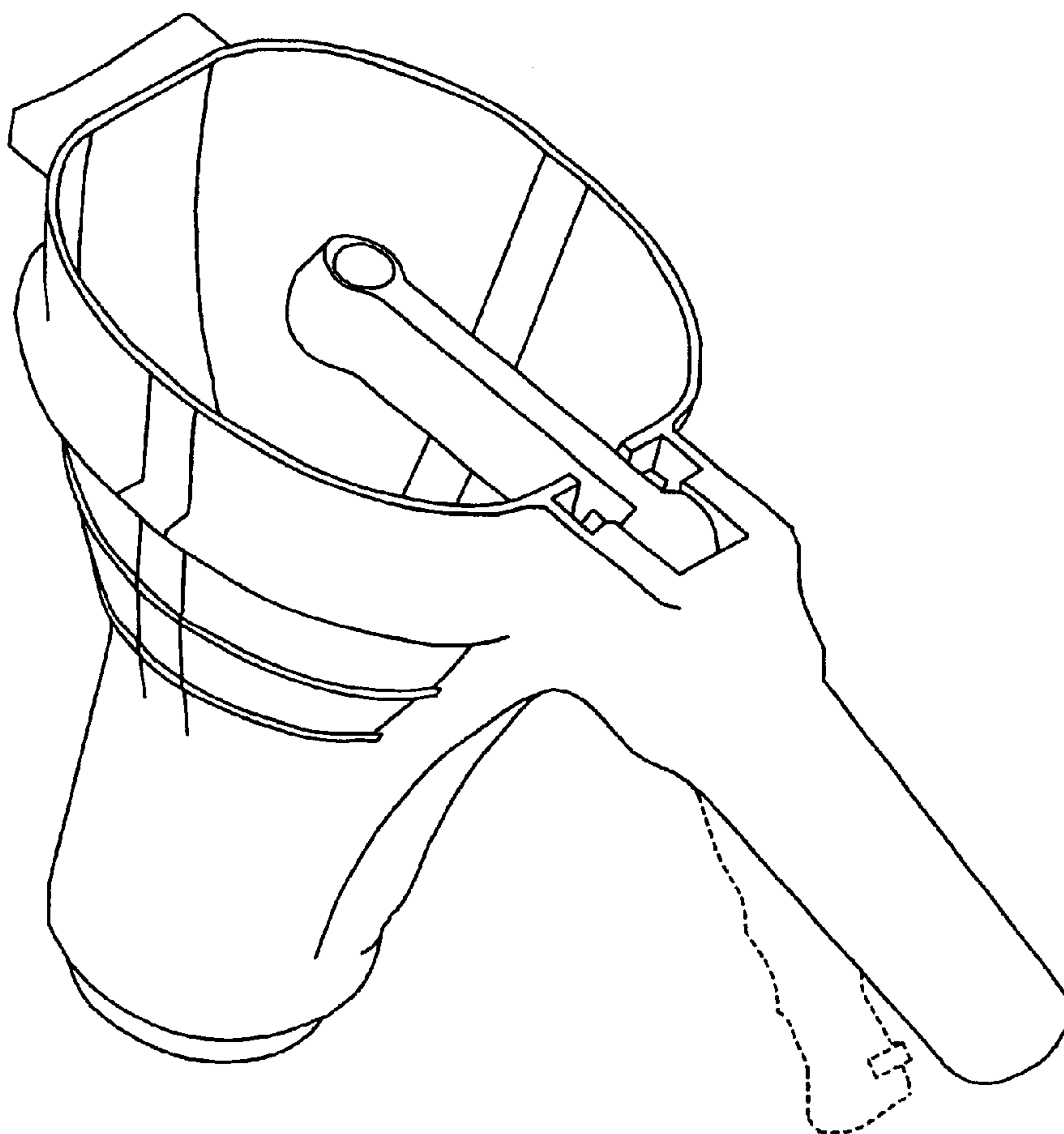


Fig. 1

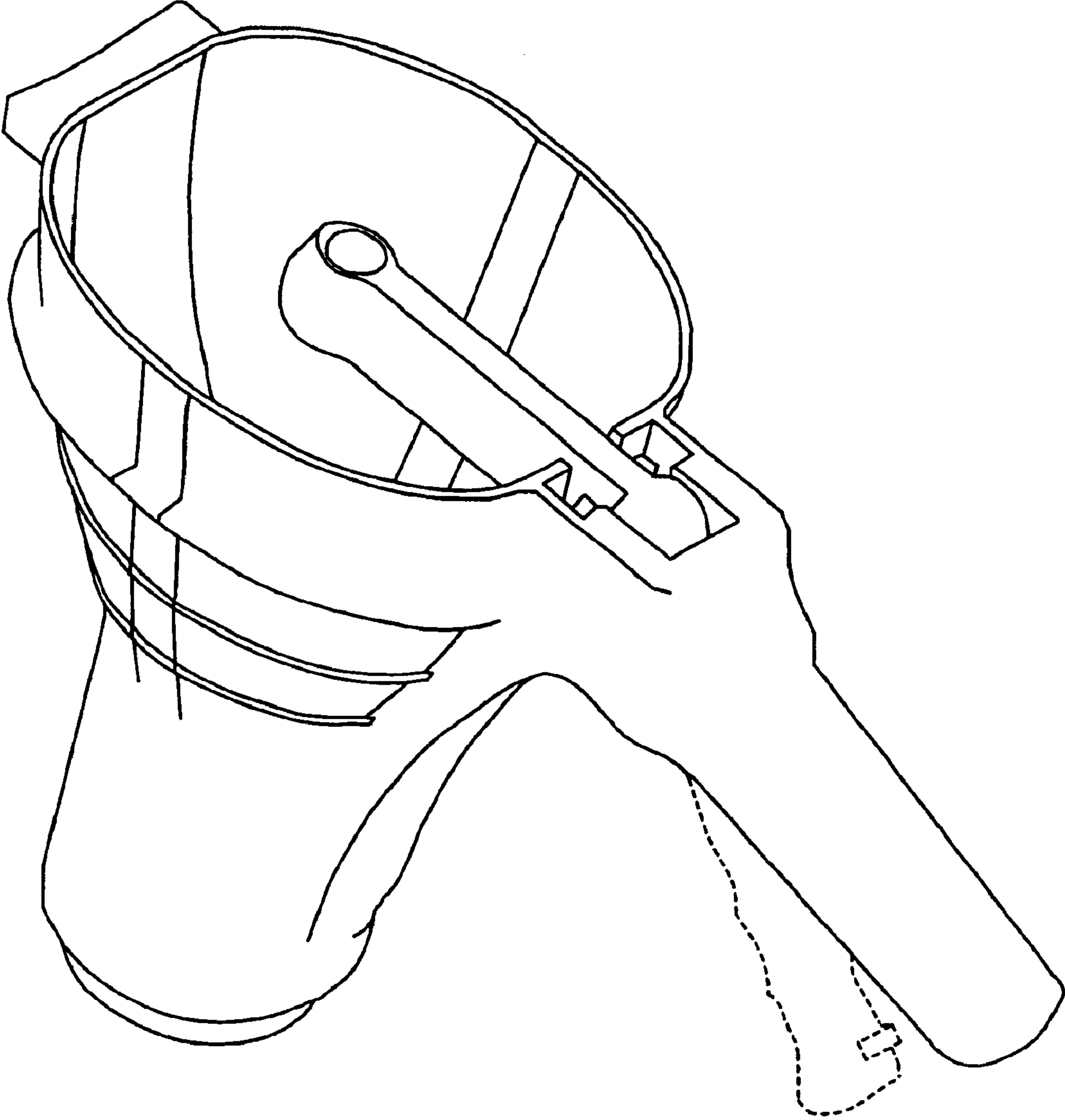


Fig. 2

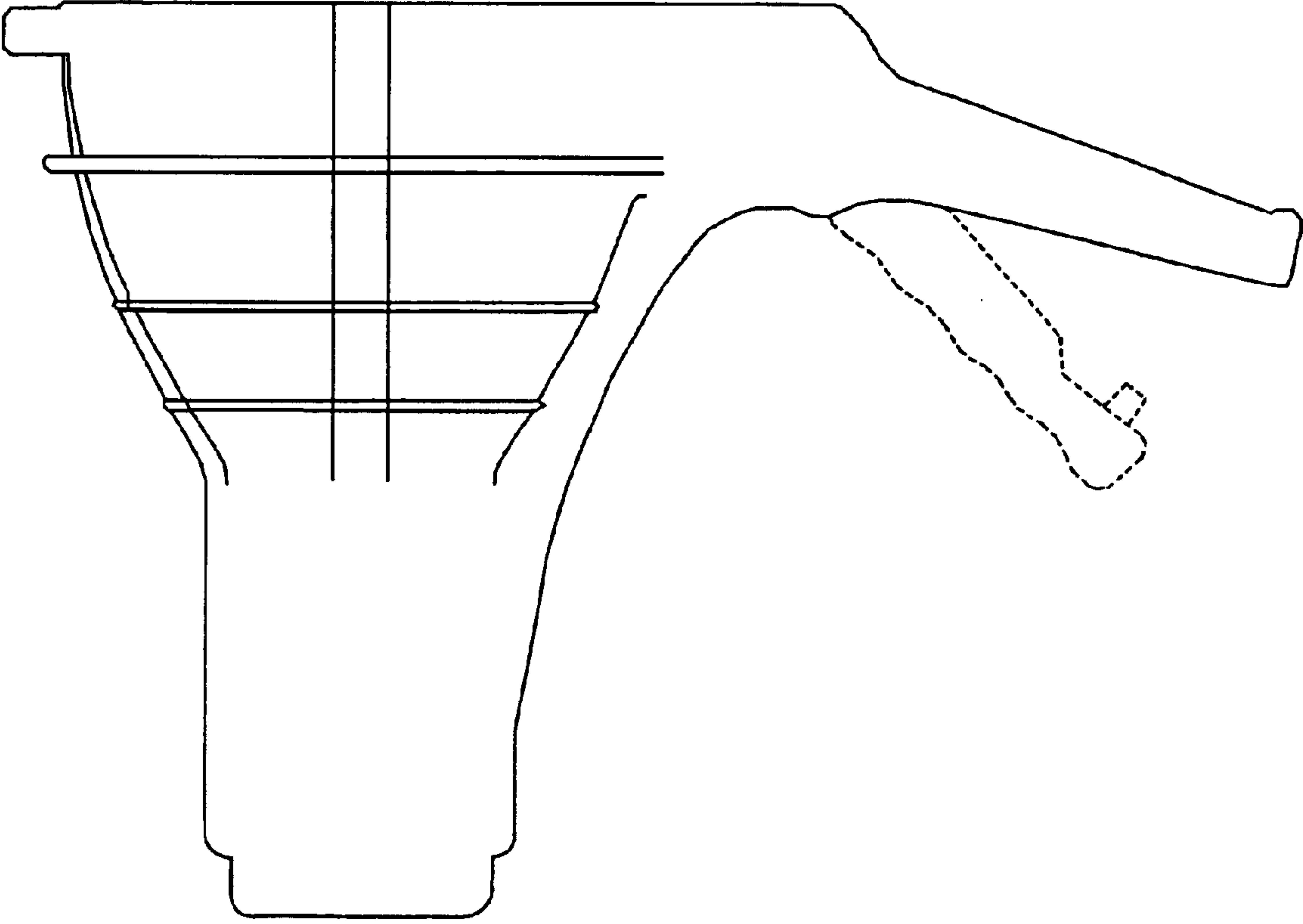


Fig. 3

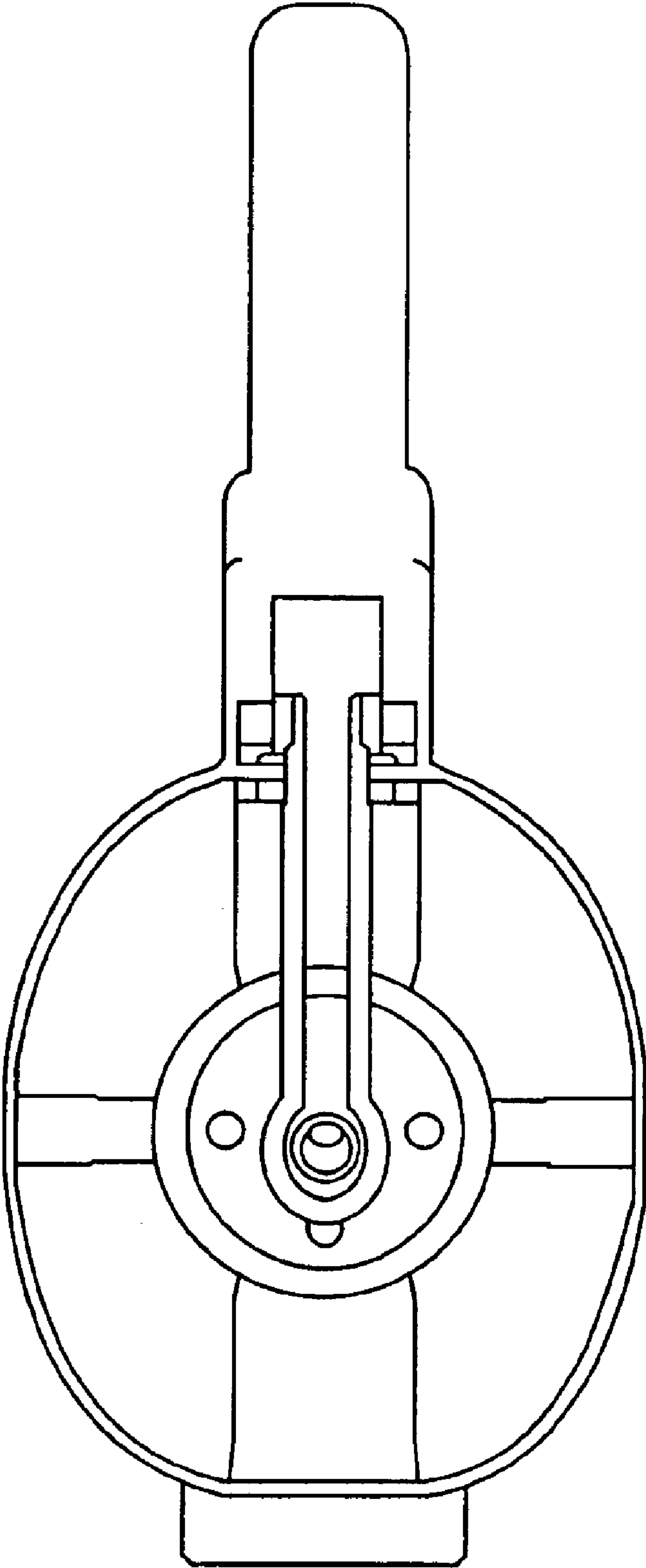


Fig. 4

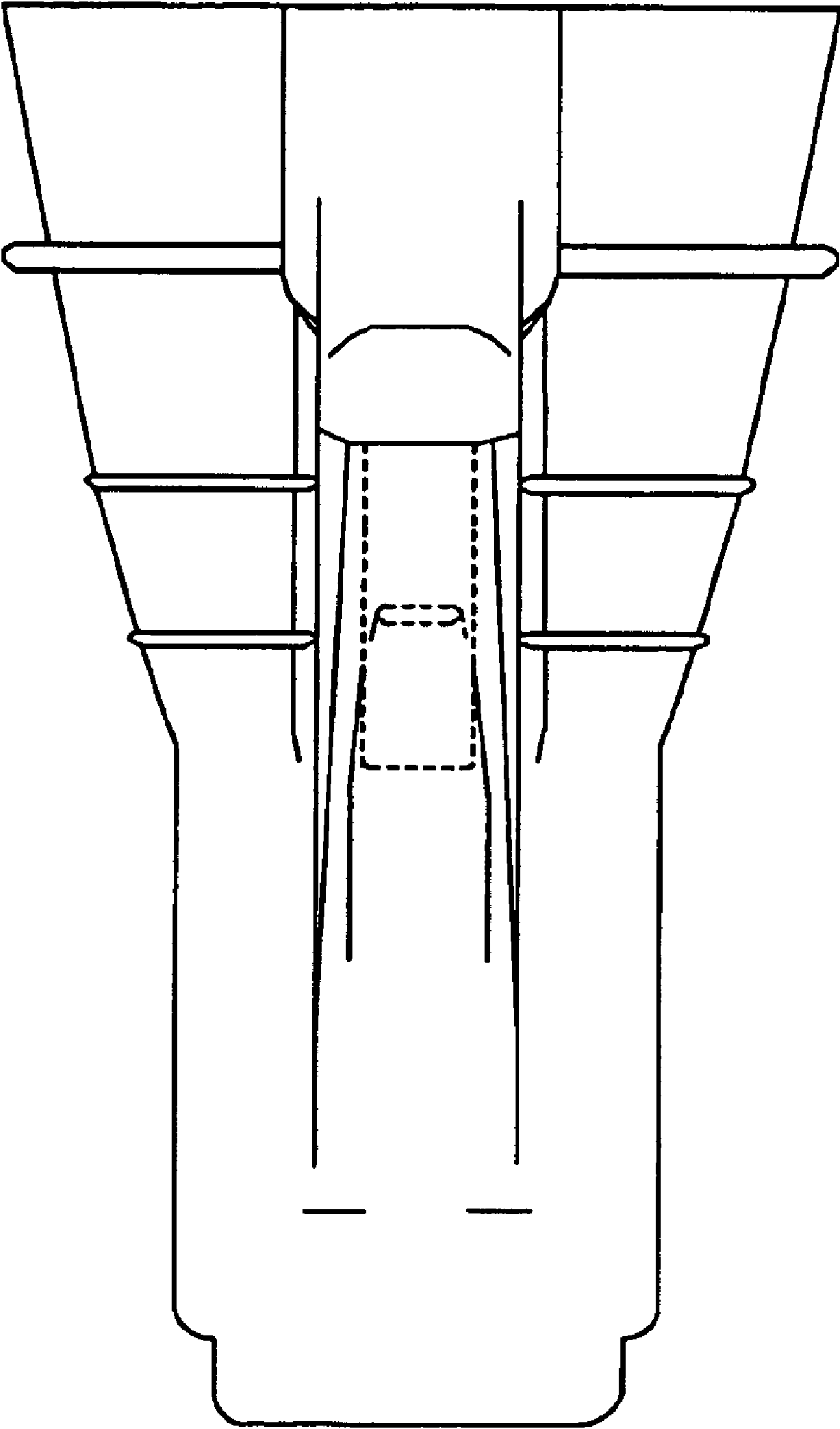


Fig. 5

