



US00D501371S

(12) **United States Design Patent**
Lo

(10) **Patent No.:** **US D501,371 S**
(45) **Date of Patent:** **** Feb. 1, 2005**

(54) **FRUIT SLICER**

(75) Inventor: **Yui-Ming Lo**, Kowloon (CN)

(73) Assignee: **Good Time Industries Co., Ltd.**,
Kowloon (CN)

(**) Term: **14 Years**

(21) Appl. No.: **29/193,732**

(22) Filed: **Nov. 13, 2003**

(51) **LOC (7) Cl.** **07-04**

(52) **U.S. Cl.** **D7/673**

(58) **Field of Search** D7/672, 673, 693,
D7/695; 30/114, 117, 302, 303, 312, 130,
113.1-113.3; 99/544, 554

(56) **References Cited**

U.S. PATENT DOCUMENTS

D432,874 S * 10/2000 Kari D7/673

* cited by examiner

Primary Examiner—Terry A. Wallace

(74) *Attorney, Agent, or Firm*—Alix, Yale & Ristas, LLP

(57) **CLAIM**

The ornamental design for a fruit slicer, as shown and described.

DESCRIPTION

FIG. 1 is a perspective view of a fruit slicer showing my new design;

FIG. 2 is a front elevational view thereof;

FIG. 3 is a top plan view thereof;

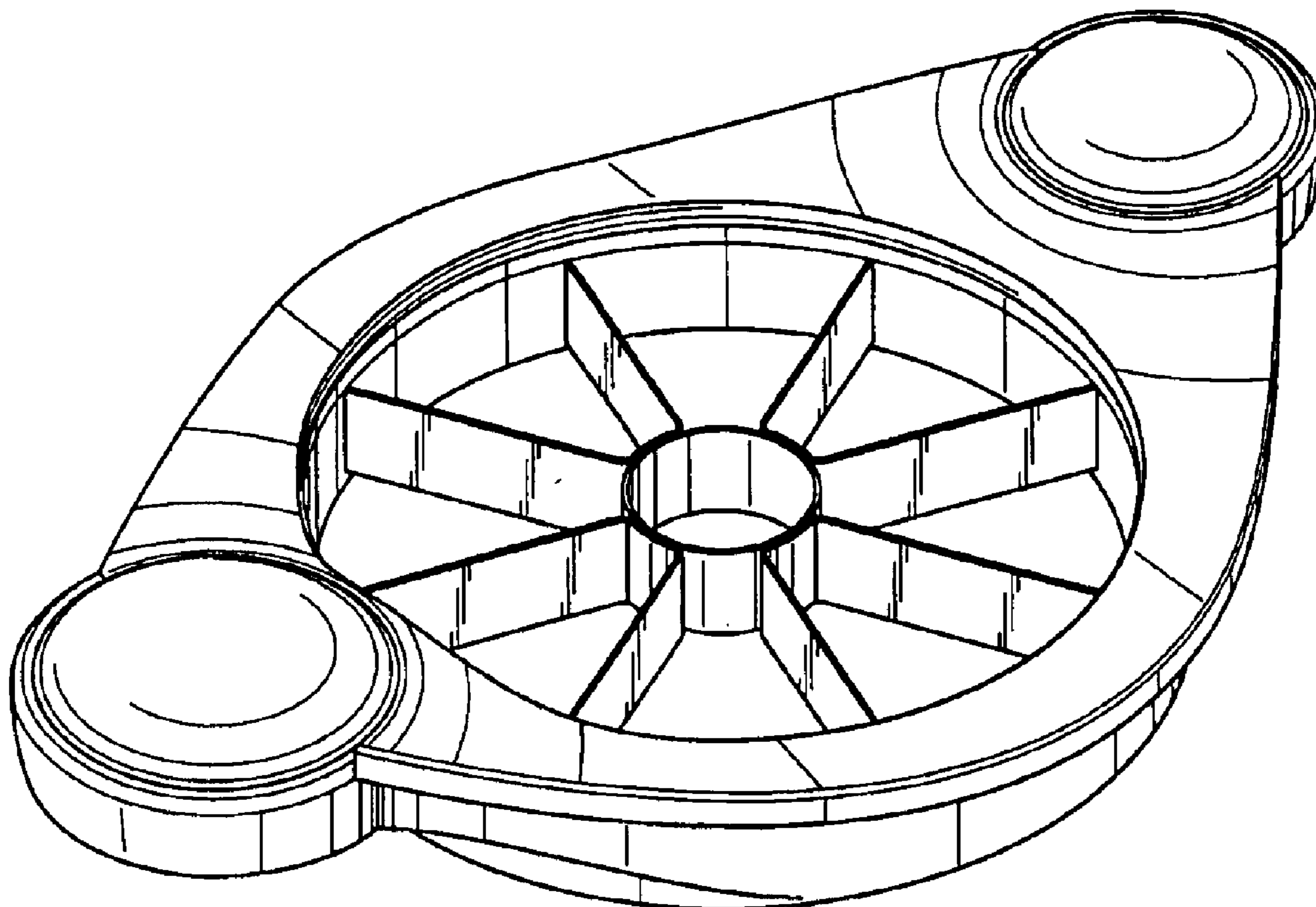
FIG. 4 is a left side elevational view thereof;

FIG. 5 is a right side elevational view thereof;

FIG. 6 is a rear view thereof; and,

FIG. 7 is a bottom plan view thereof.

1 Claim, 4 Drawing Sheets



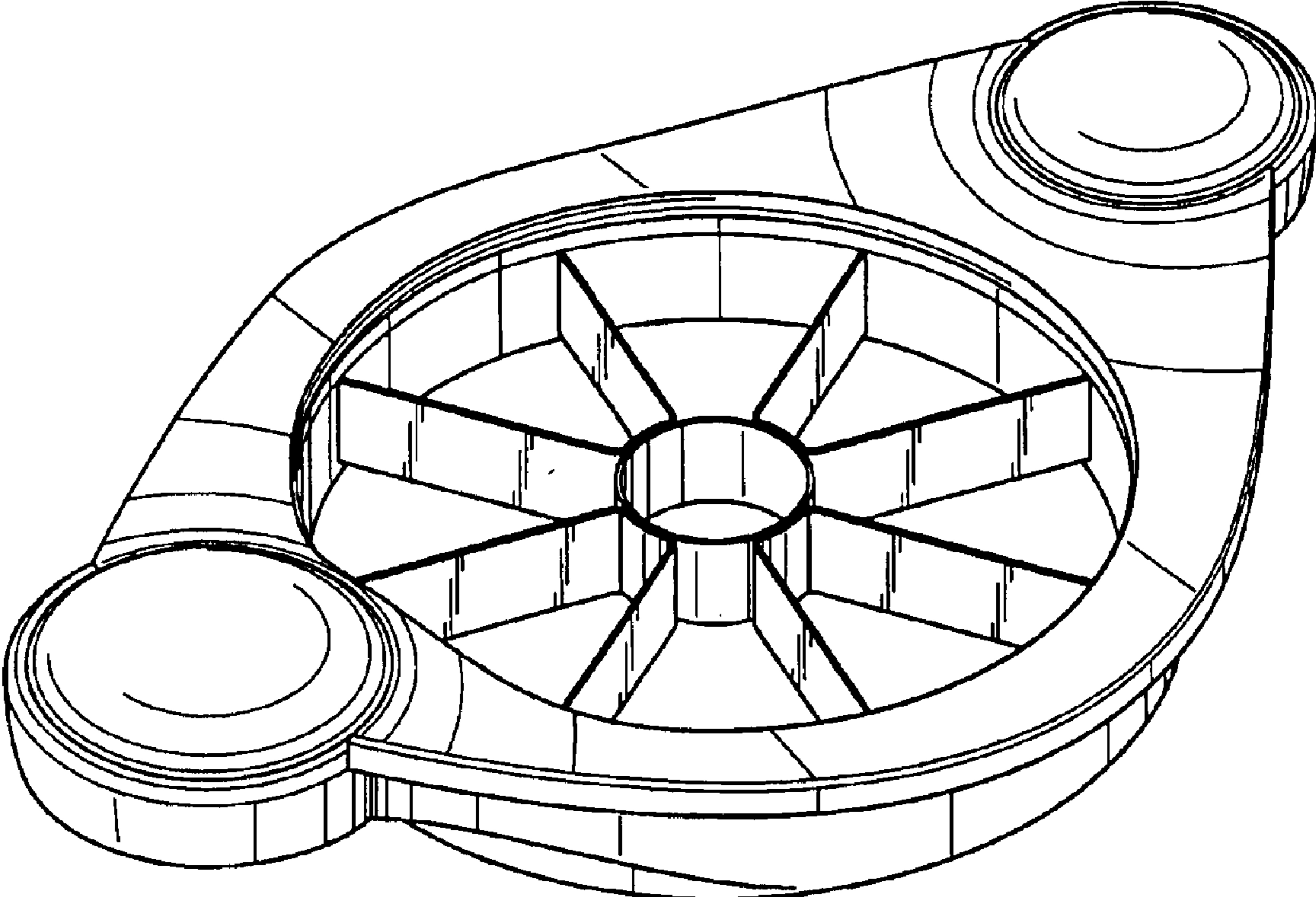


FIG. 1

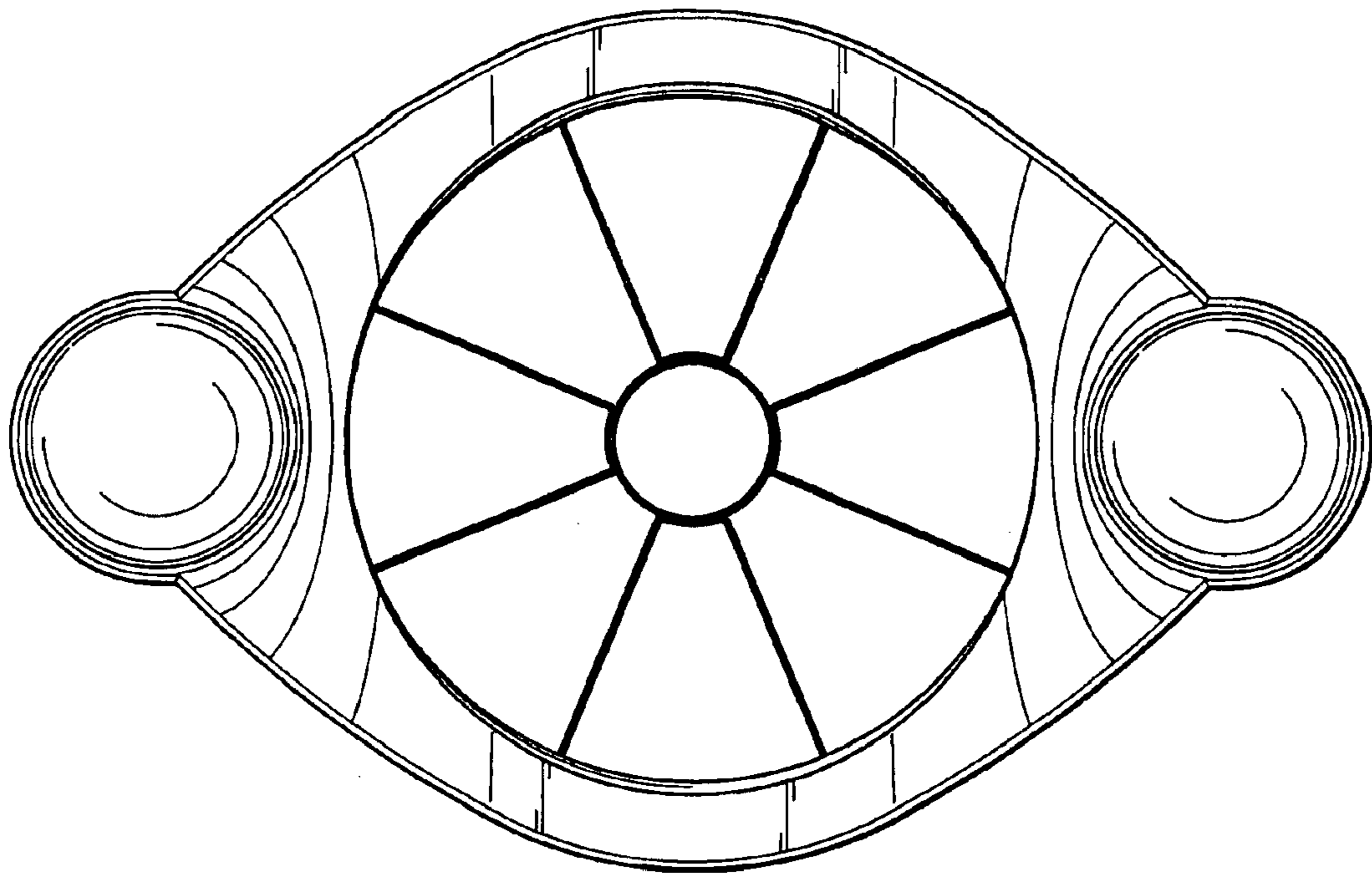


FIG. 3

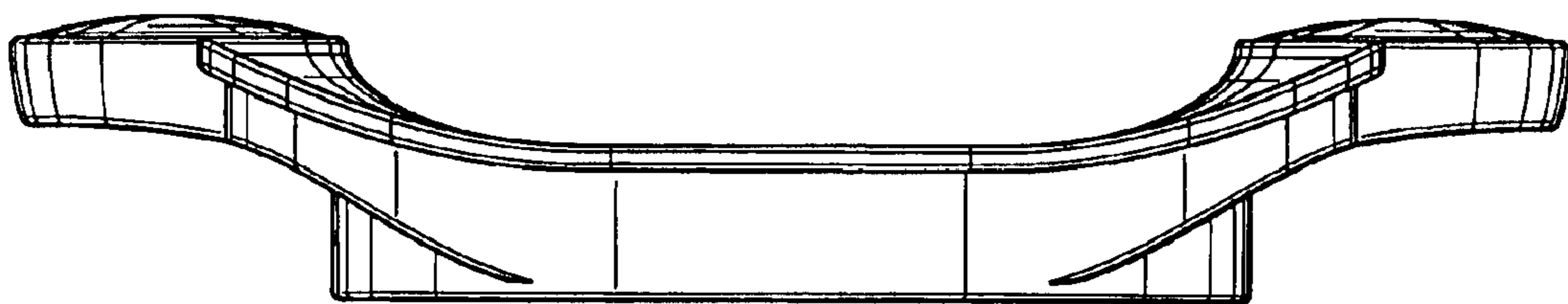


FIG. 2

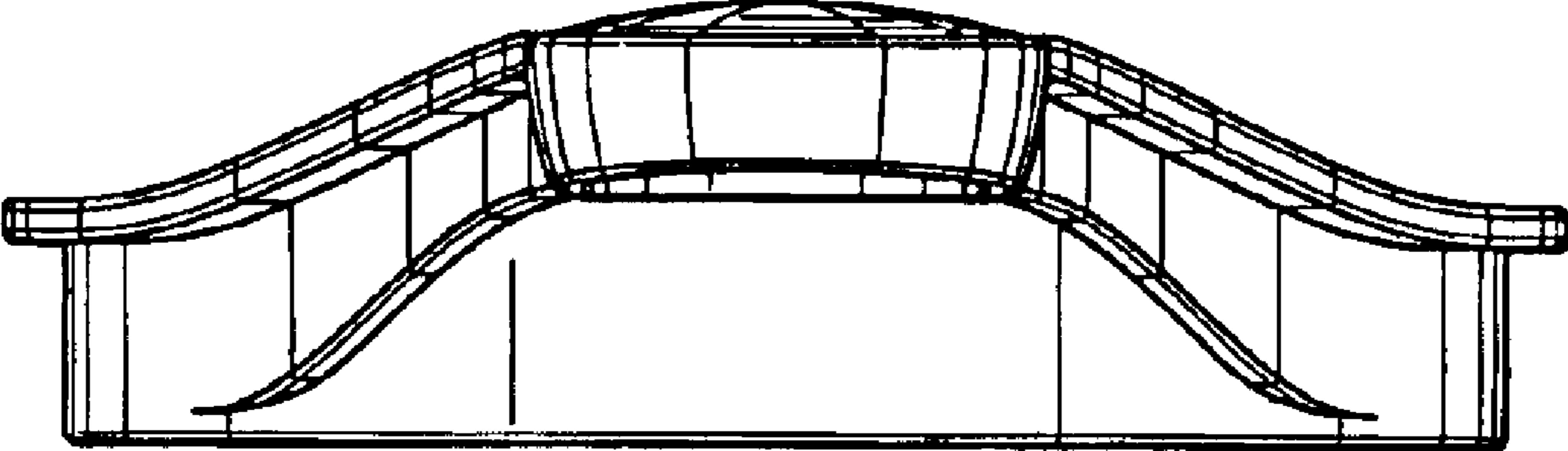


FIG. 4

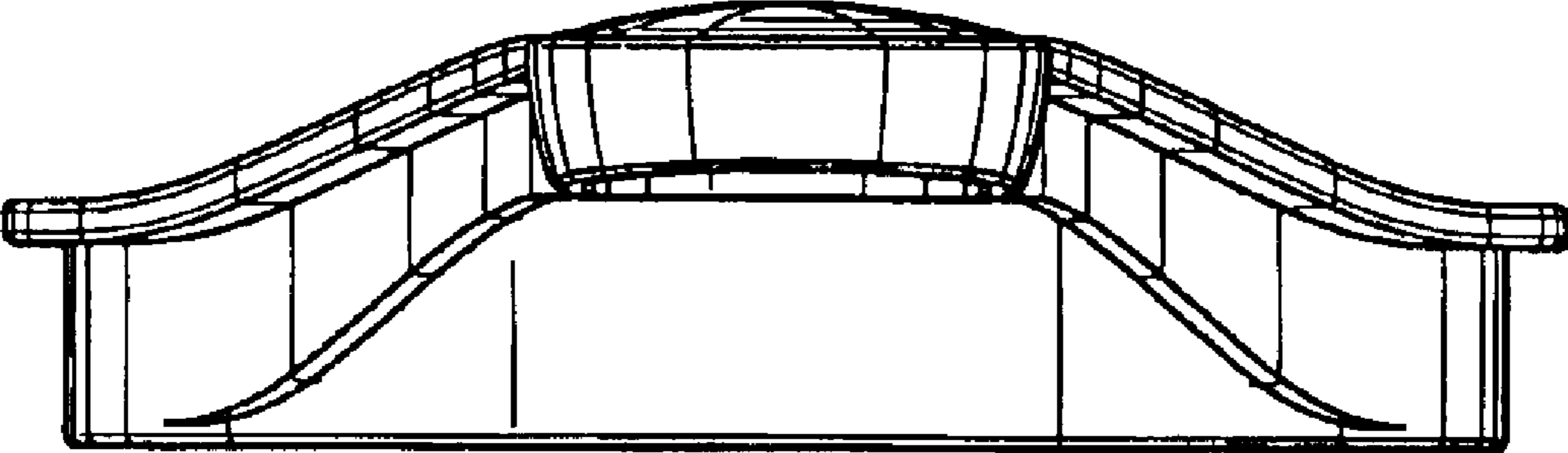


FIG. 5

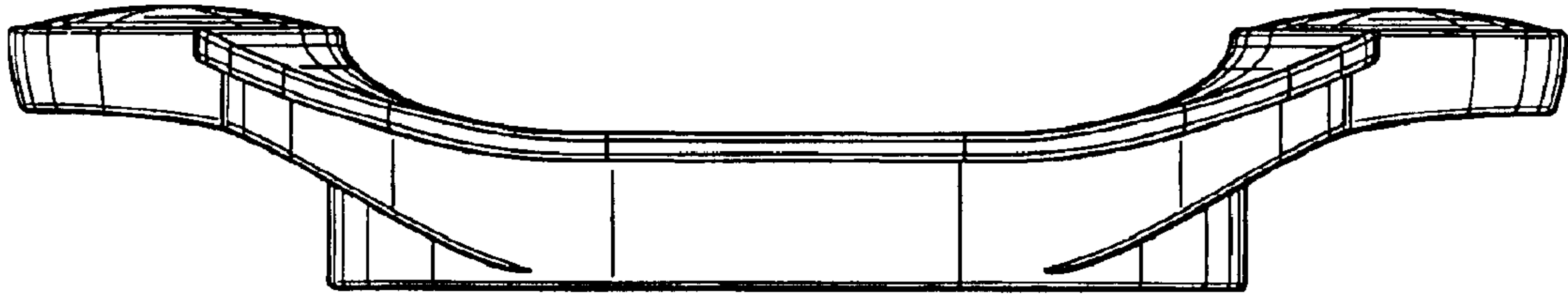


FIG. 6

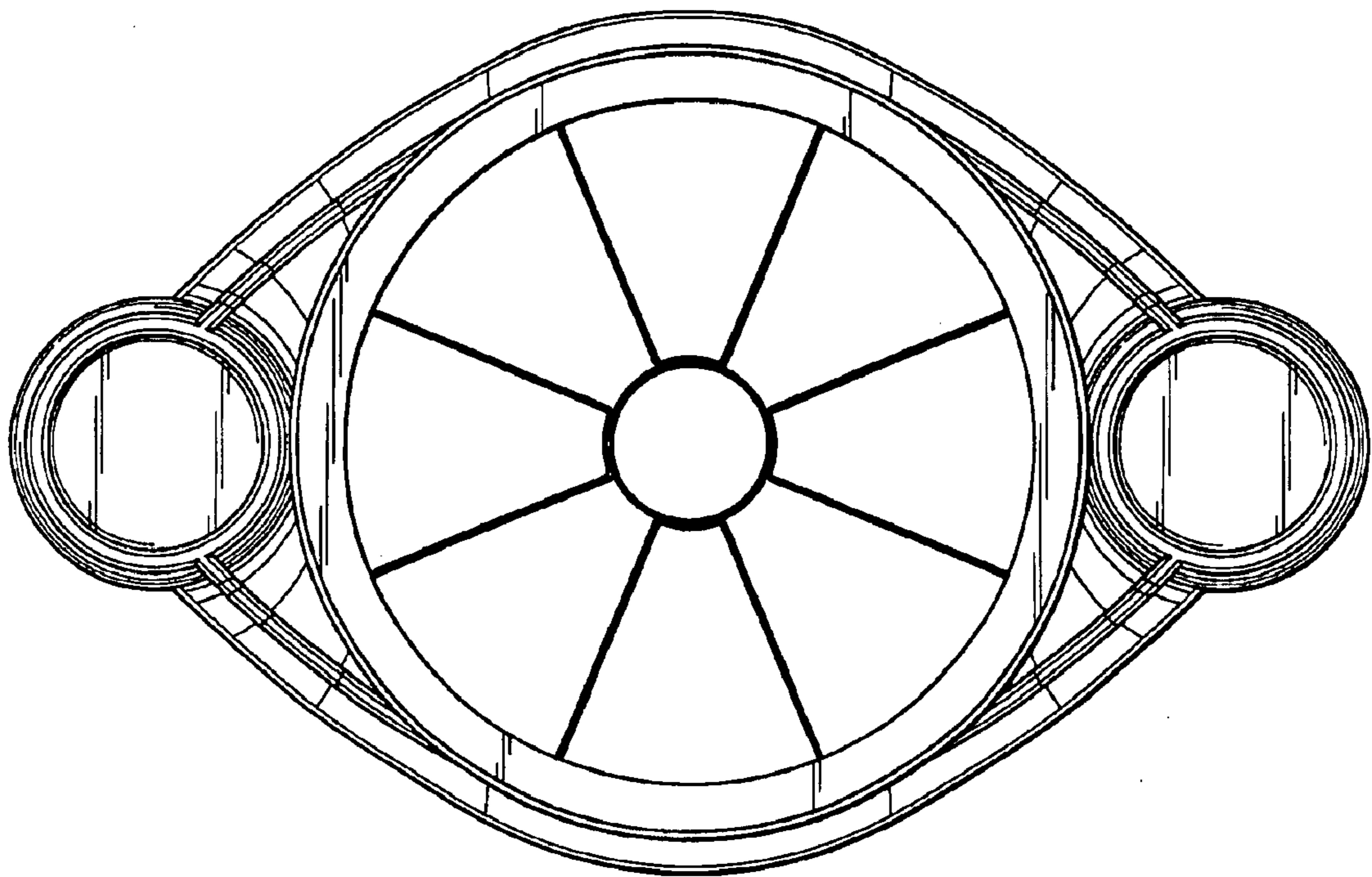


FIG. 7