

US00D501368S

(12) **United States Design Patent**
Roth et al.

(10) **Patent No.:** **US D501,368 S**
(45) **Date of Patent:** **** Feb. 1, 2005**

(54) **REFREEZABLE CONTAINER**
(76) Inventors: **Donna Roth**, 42 Tremont St., Duxbury, MA (US) 02332; **Henry Roth**, 42 Tremont St., Duxbury, MA (US) 02332
(**) Term: **14 Years**

5,711,164 A 1/1998 Slack
D411,741 S 6/1999 Wilson et al.
5,992,679 A 11/1999 Porchia et al.
D420,252 S 2/2000 Loew et al.
6,044,650 A 4/2000 Cook et al.
6,109,059 A 8/2000 Lebrun
6,318,114 B1 11/2001 Slaughter

* cited by examiner

(21) Appl. No.: **29/192,268**
(22) Filed: **Oct. 21, 2003**

Primary Examiner—Terry A. Wallace
(74) *Attorney, Agent, or Firm*—Volpe and Koenig, P.C.

Related U.S. Application Data

(63) Continuation-in-part of application No. 10/361,655, filed on Feb. 10, 2003, now Pat. No. 6,761,041, which is a continuation-in-part of application No. 10/236,266, filed on Sep. 6, 2002, now Pat. No. 6,601,403.

(57) **CLAIM**

The ornamental design for a refreezable container, as shown and described.

(51) **LOC (7) Cl.** **07-01**
(52) **U.S. Cl.** **D7/629**
(58) **Field of Search** D7/602, 629, 538–542, D7/612–615; D9/414, 424, 425, 430–432; 62/371, 530, 457.1–457.9; 220/306, 352, 356, 574, 574.1, 780–805, 281, 662, 324, 675

DESCRIPTION

FIG. 1 is a perspective view of a refreezable container according to a first preferred embodiment of our new design; FIG. 2 is a top plan view of the refreezable container of FIG. 1; FIG. 3 is a front elevational view of the refreezable container of FIG. 1, the rear elevational view and the left and right side elevational views being the same; FIG. 4 is a bottom plan view of the refreezable container of FIG. 1; FIG. 5 is a perspective view of a refreezable container according to a second preferred embodiment of our new design; FIG. 6 is a top plan view of the refreezable container of FIG. 5; FIG. 7 is a front elevational view of the refreezable container of FIG. 5, the rear elevational view and the left and right side elevational views being the same; and, FIG. 8 is a bottom plan view of the refreezable container of FIG. 5.

(56) **References Cited**

U.S. PATENT DOCUMENTS

2,024,648 A 12/1935 Kissling
3,307,602 A * 3/1967 Boster 220/780
4,024,731 A 5/1977 Branscum
4,065,336 A 12/1977 Conklin
4,570,454 A 2/1986 Campbell
4,621,670 A * 11/1986 Yuen 220/801
5,177,981 A 1/1993 Haas
5,231,850 A 8/1993 Morris
D360,105 S 7/1995 Doxey
5,568,735 A 10/1996 Newkirk et al.
5,701,757 A 12/1997 Heverly

1 Claim, 4 Drawing Sheets

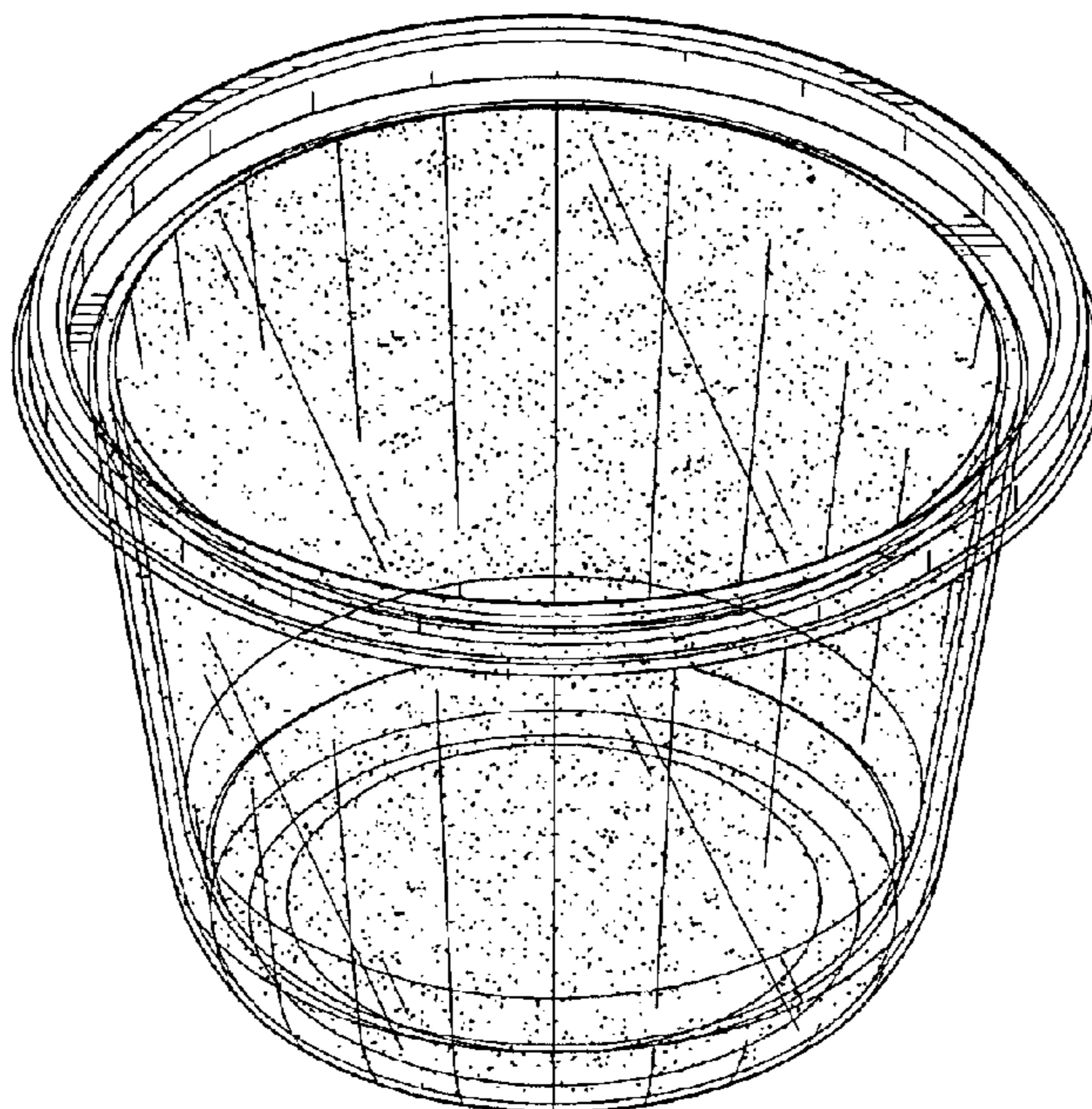


FIG. 1

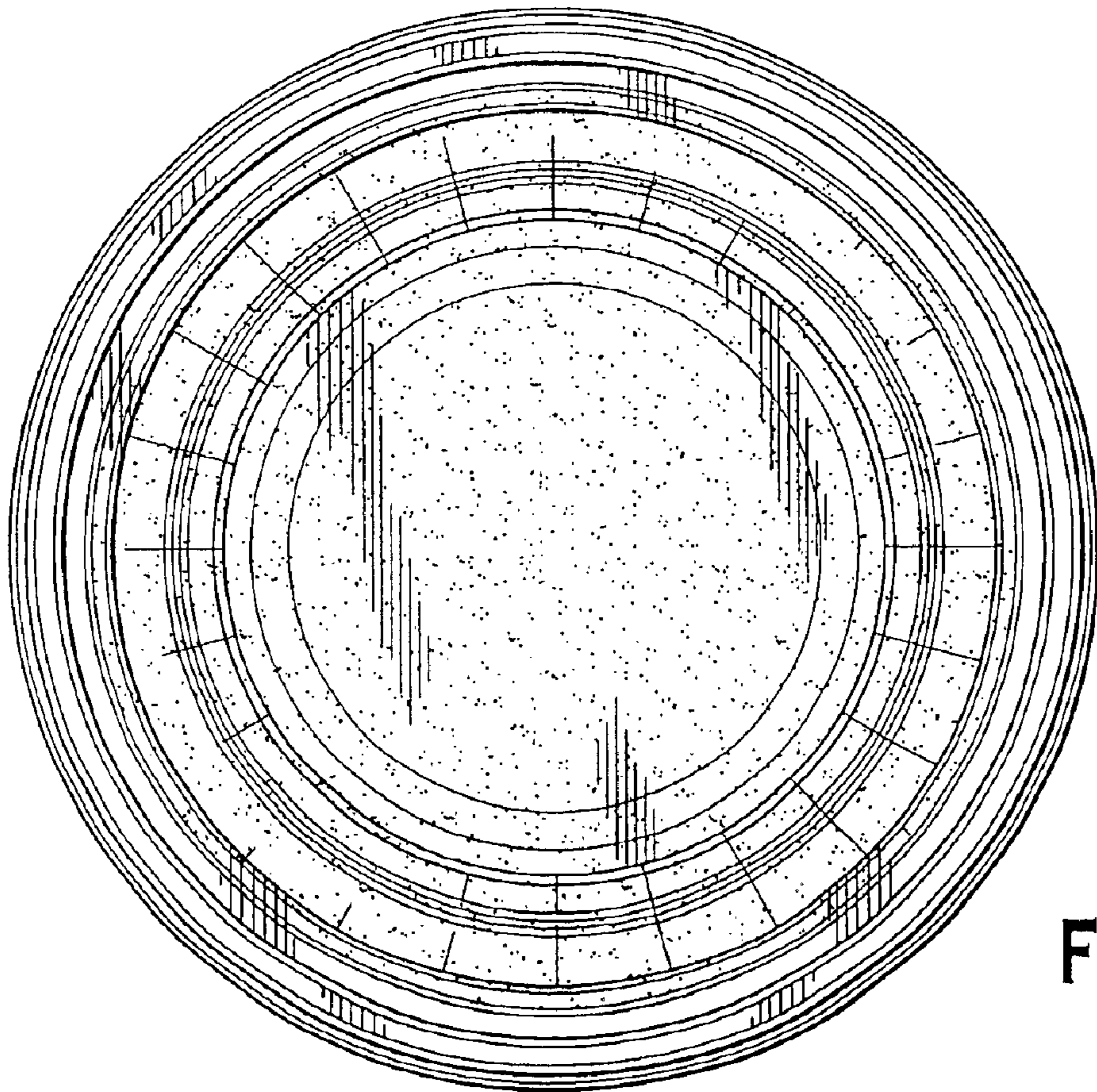
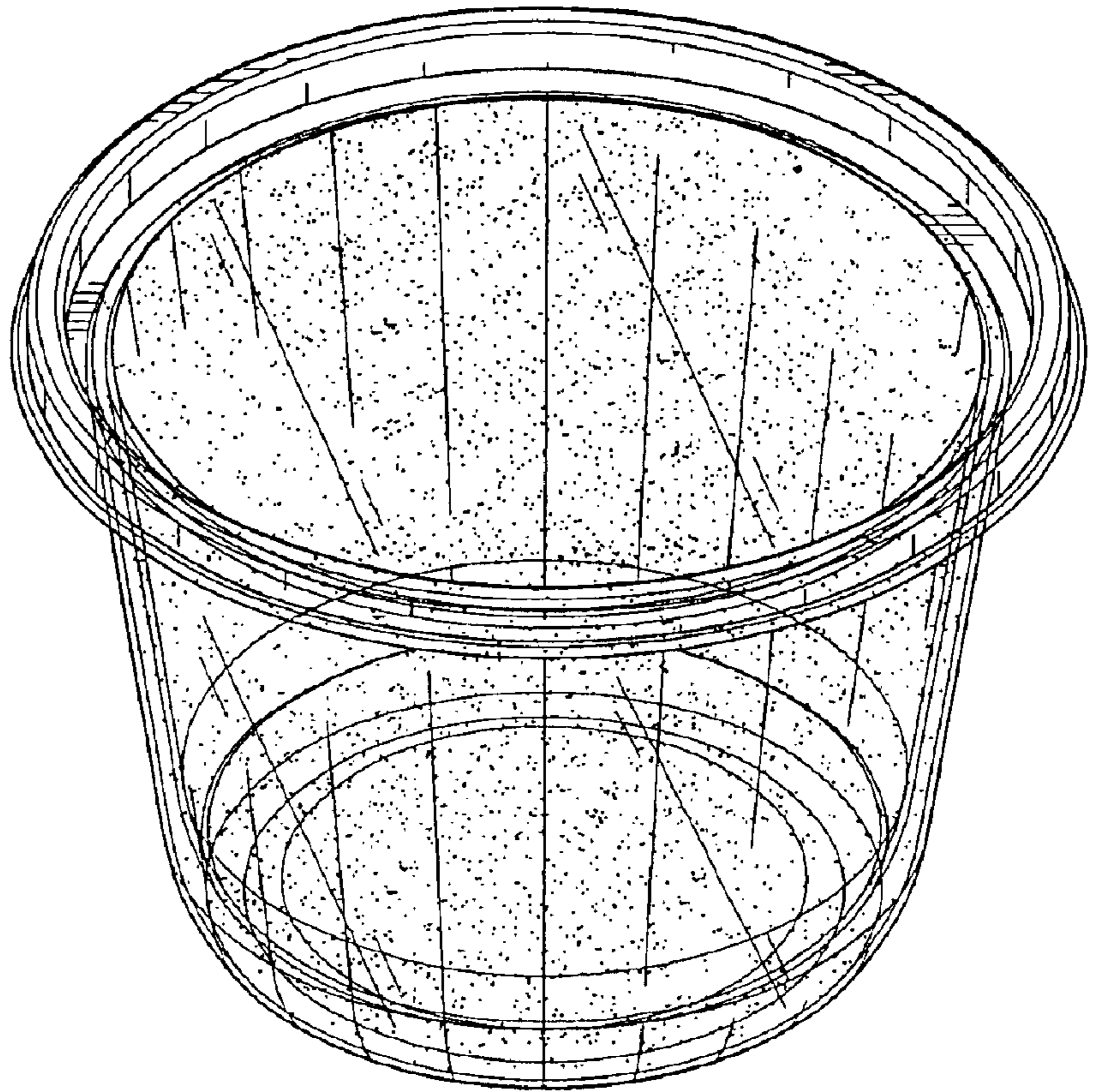


FIG. 2

FIG. 3

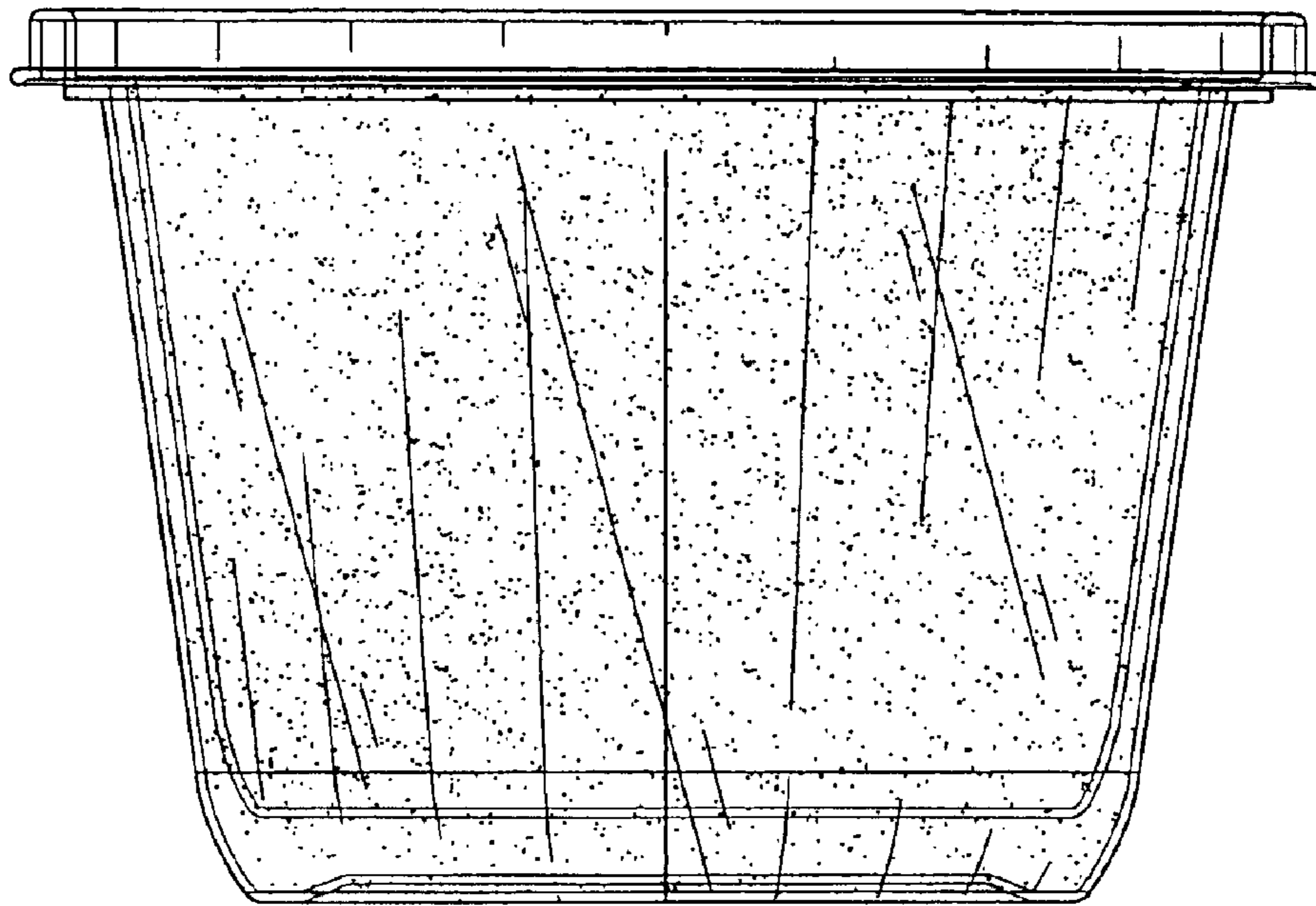


FIG. 4

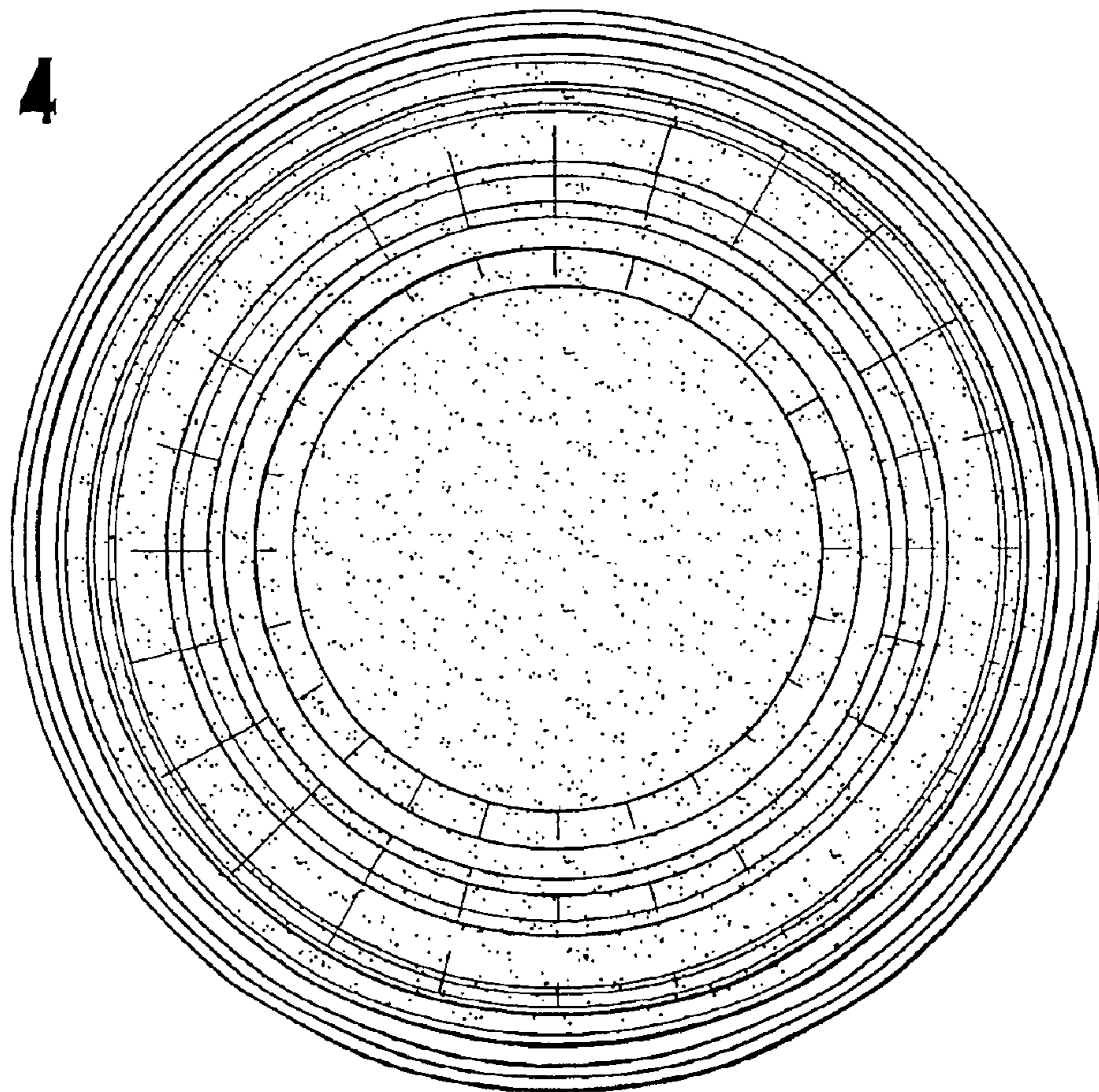


FIG. 5

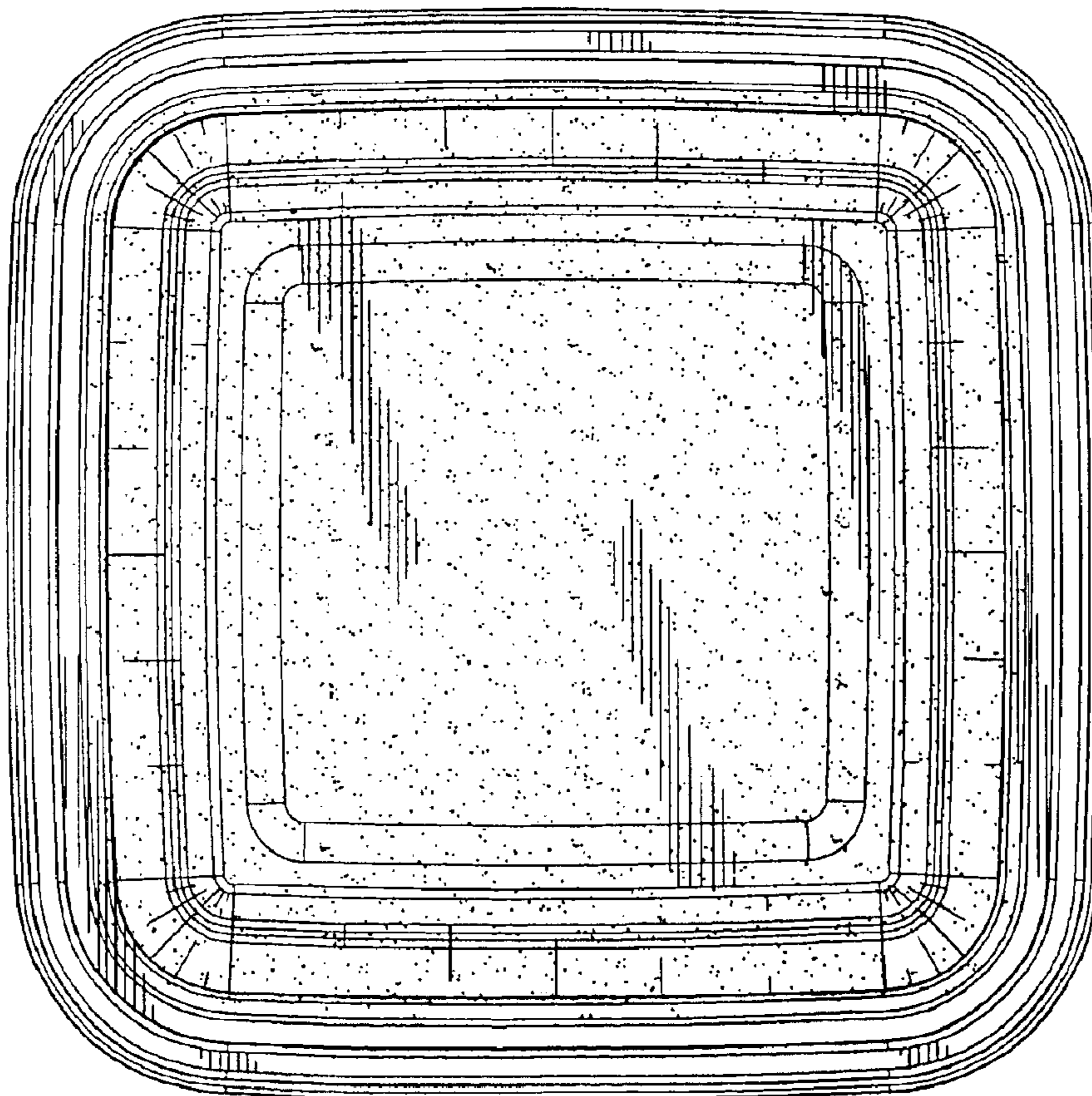
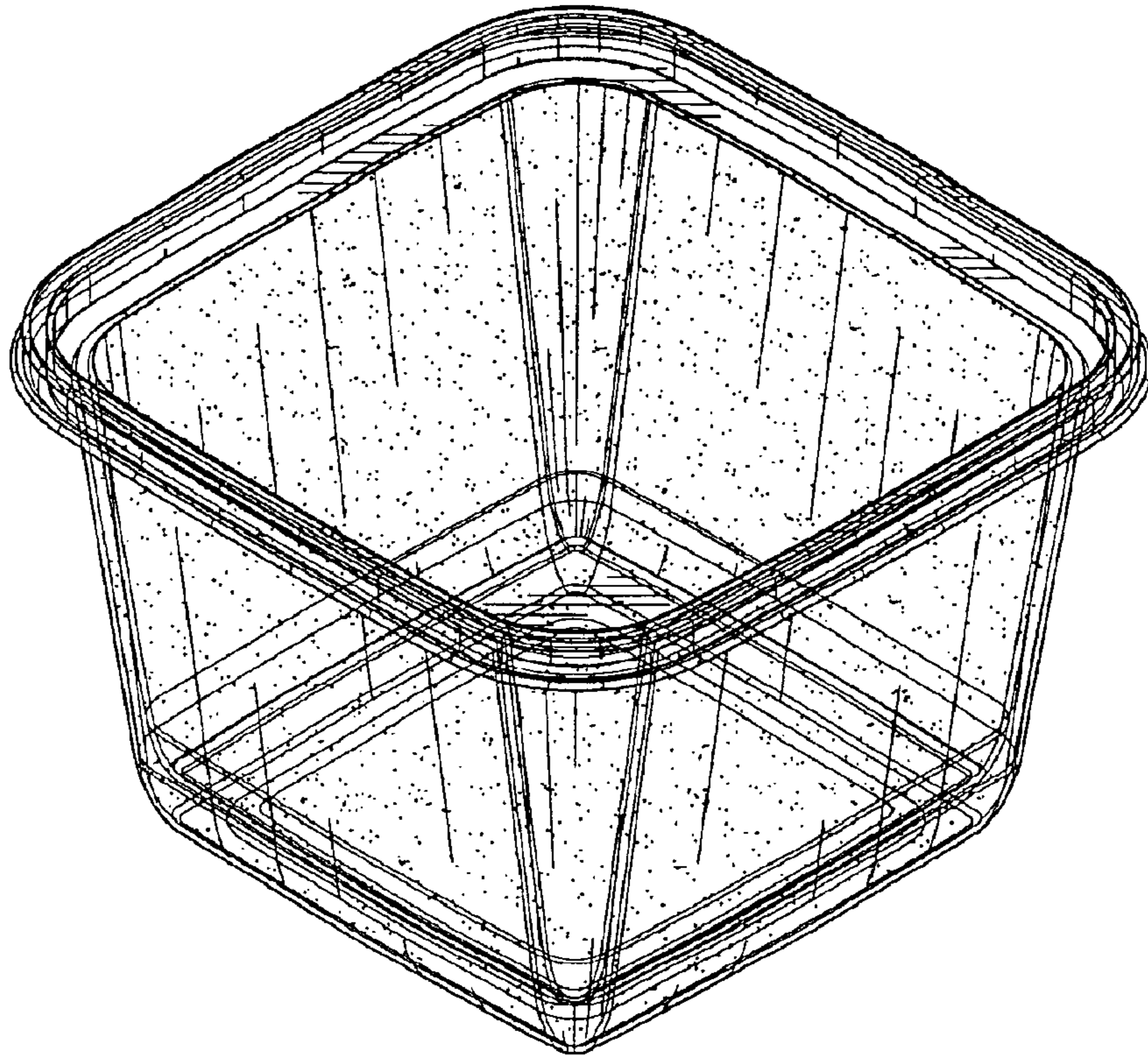


FIG. 6

FIG. 7

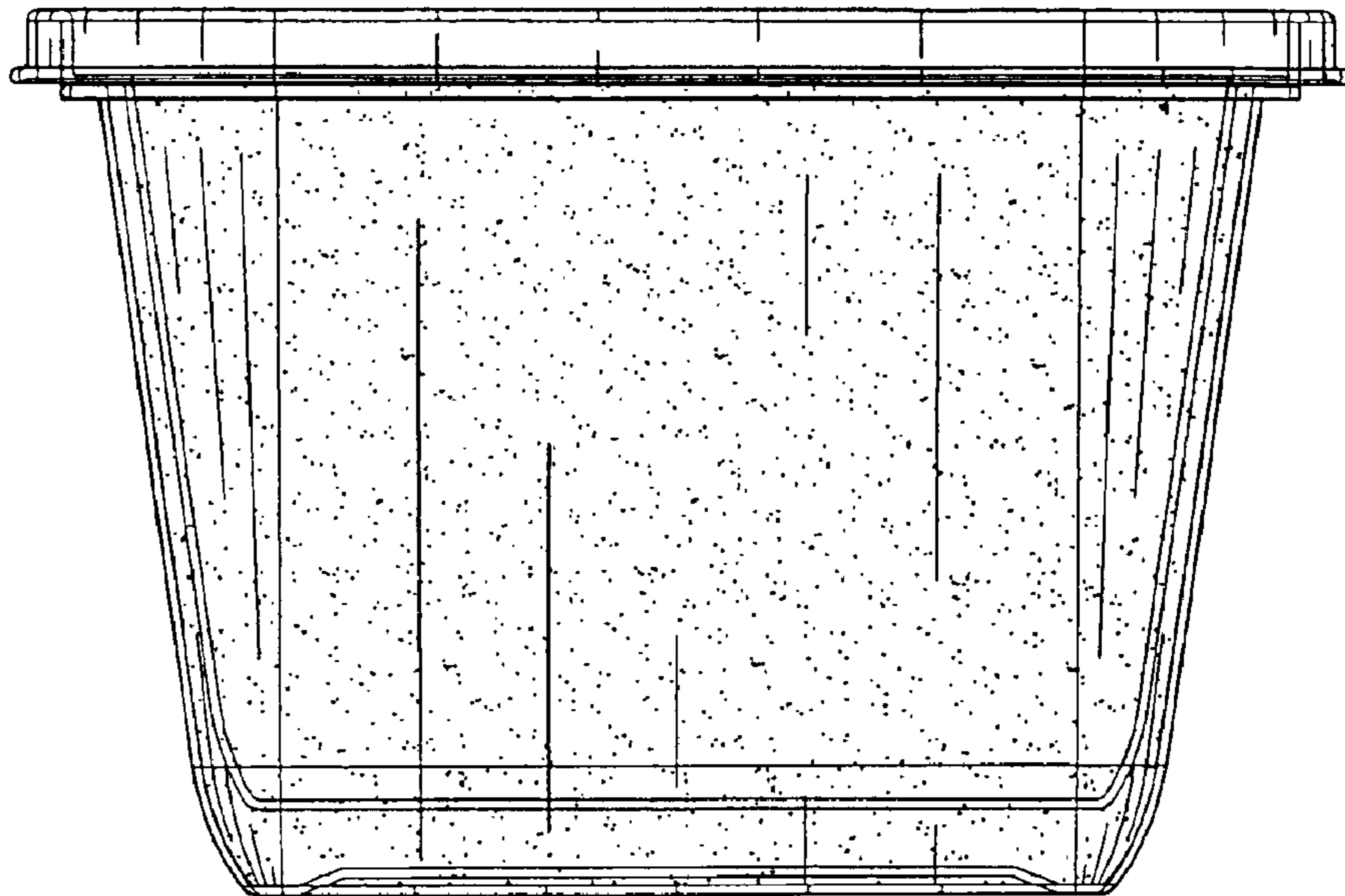


FIG. 8

