

US00D501367S

(12) **United States Design Patent** (10) **Patent No.:** **US D501,367 S**
Blanchette (45) **Date of Patent:** **** Feb. 1, 2005**

(54) **CONTAINER FOR STORING AND DISPENSING FILMS**

(75) Inventor: **Luc Blanchette**, Montréal (CA)

(73) Assignee: **Bioenvelop Agro Inc.**, Laval (CA)

(**) Term: **14 Years**

(21) Appl. No.: **29/191,582**

(22) Filed: **Oct. 10, 2003**

(51) **LOC (7) Cl.** **07-99**

(52) **U.S. Cl.** **D7/629**

(58) **Field of Search** D7/601, 602, 628-630;
D3/247, 251; D27/189, 191; 206/39.5, 425,
800; 225/103; 221/62, 65, 232, 281

(56) **References Cited**

U.S. PATENT DOCUMENTS

3,286,823	A	*	11/1966	Gillespie	206/39.5
3,421,658	A	*	1/1969	Cooksey	206/39.5
D371,723	S		7/1996	Hirao		
D422,460	S		4/2000	Haner et al.		
D423,301	S		4/2000	Haner et al.		
D423,302	S		4/2000	Haner et al.		

* cited by examiner

Primary Examiner—Terry A. Wallace
(74) *Attorney, Agent, or Firm*—Gail C. Silver; Borden
Ladner Gervais LLP

(57) **CLAIM**

I claim the ornamental design for container for storing and dispensing films, as shown and described.

DESCRIPTION

The design is the external appearance of the container for storing and dispensing films as shown in the drawings.

FIG. 1 is a perspective view of the present design of a container for storing and dispensing films;

FIG. 2 is a top view of the container for storing and dispensing films of FIG. 1;

FIG. 3 is a bottom view of the container for storing and dispensing films of FIG. 1;

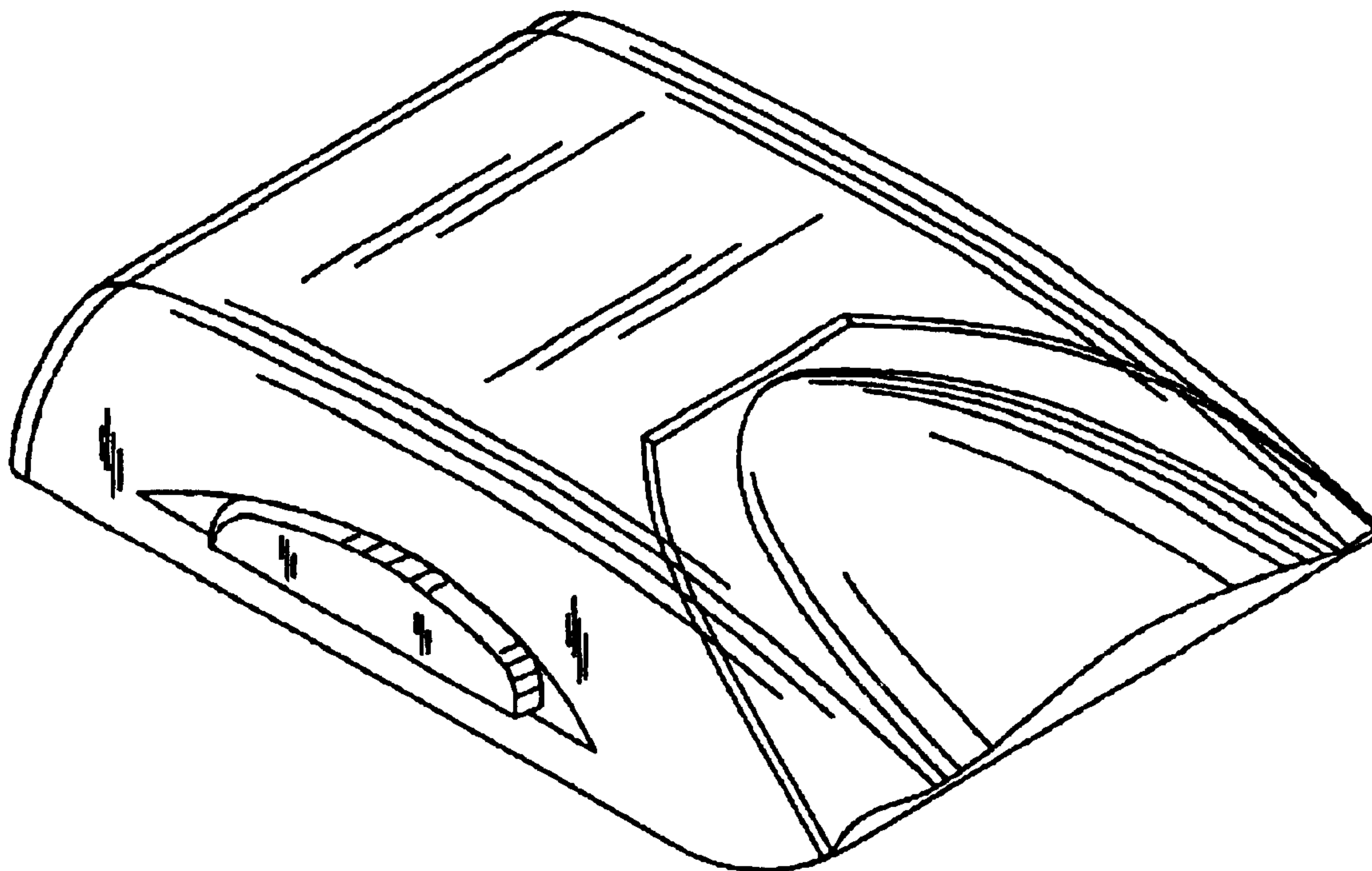
FIG. 4 is a back elevational view of the container for storing and dispensing films of FIG. 1;

FIG. 5 is a front elevational view of the container for storing and dispensing films of FIG. 1;

FIG. 6 is a right elevational view of the container for storing and dispensing films of FIG. 1; and,

FIG. 7 is a left elevational view of the container for storing and dispensing films of FIG. 1.

1 Claim, 5 Drawing Sheets



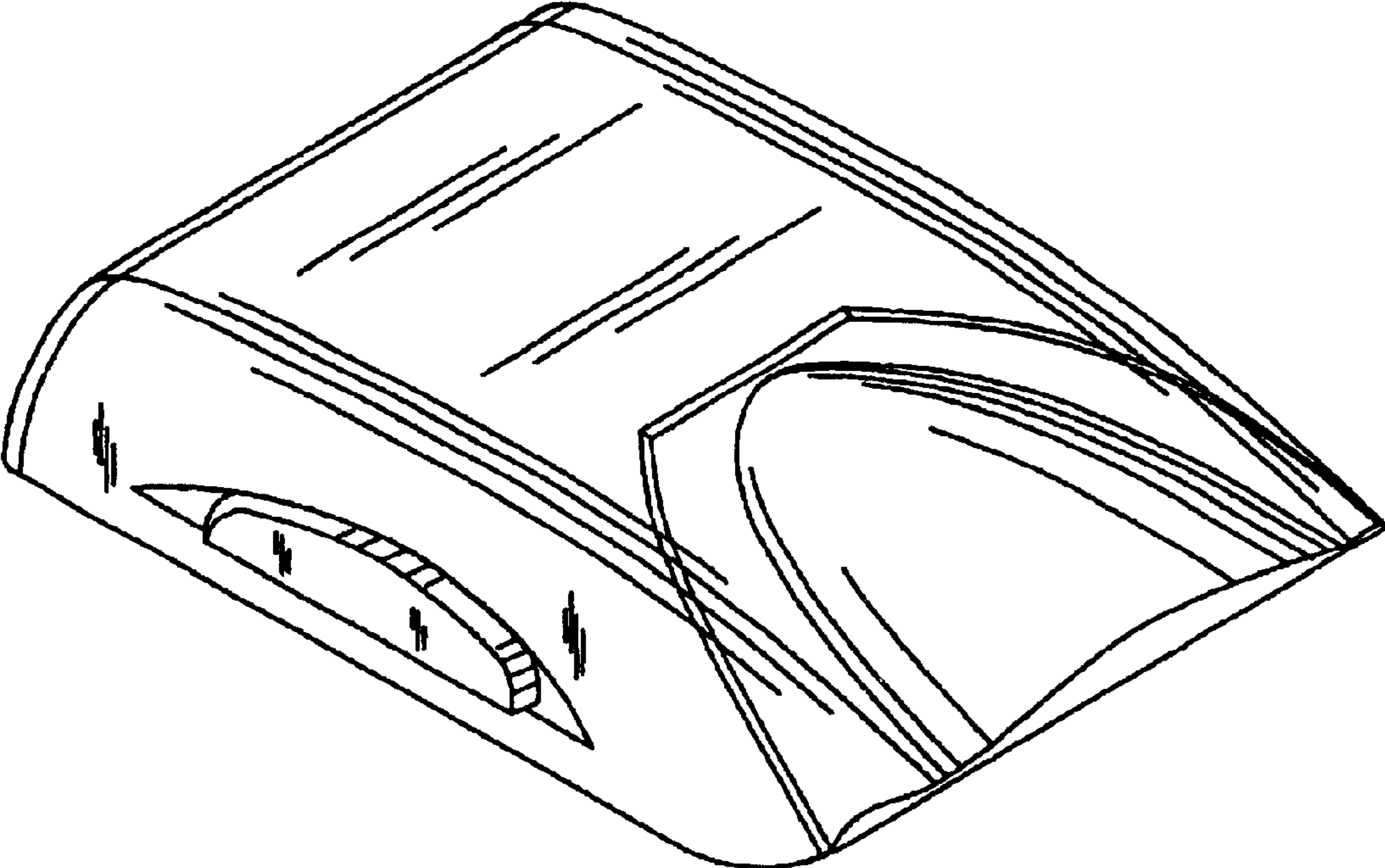


FIG. 1

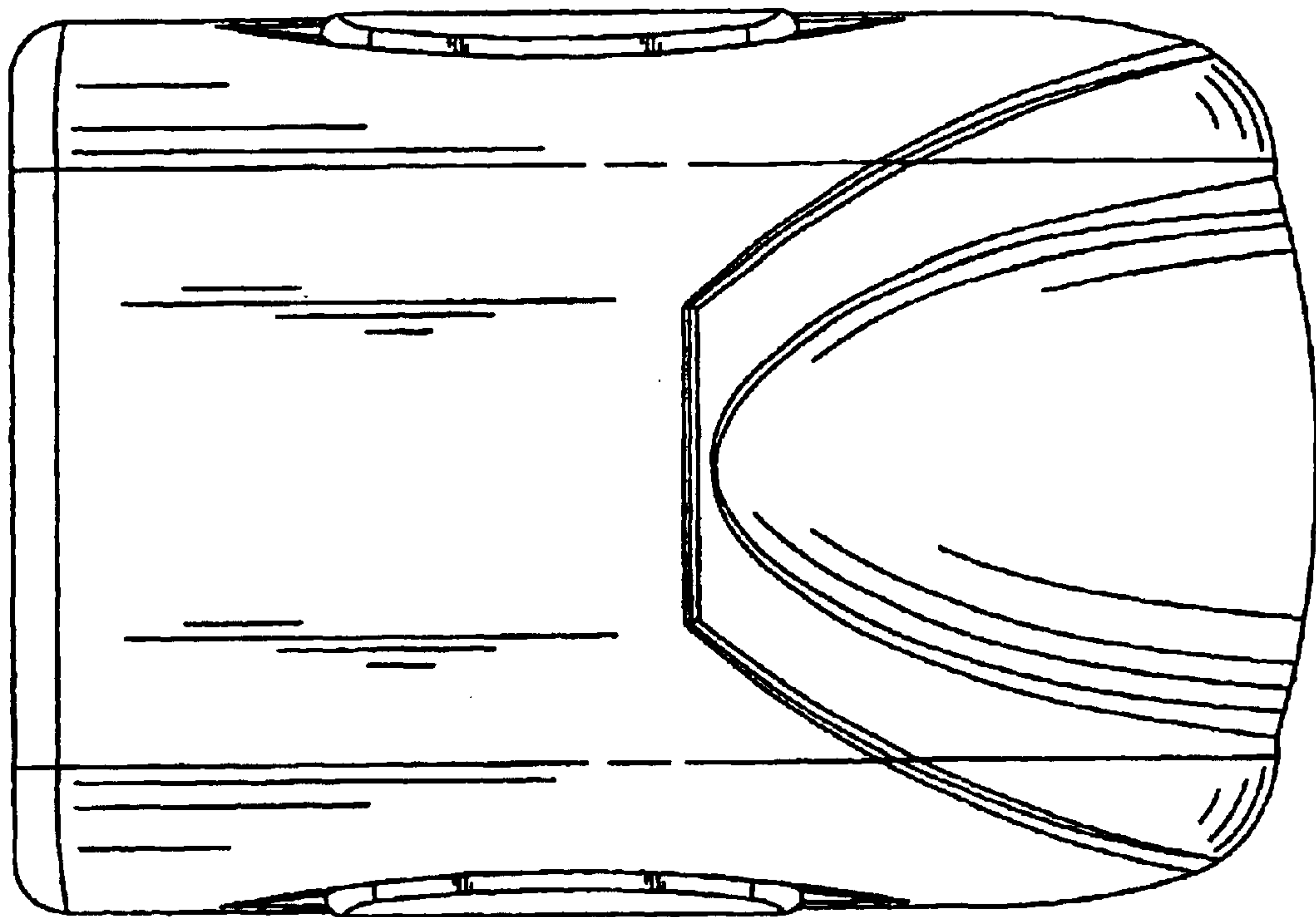


FIG. 2

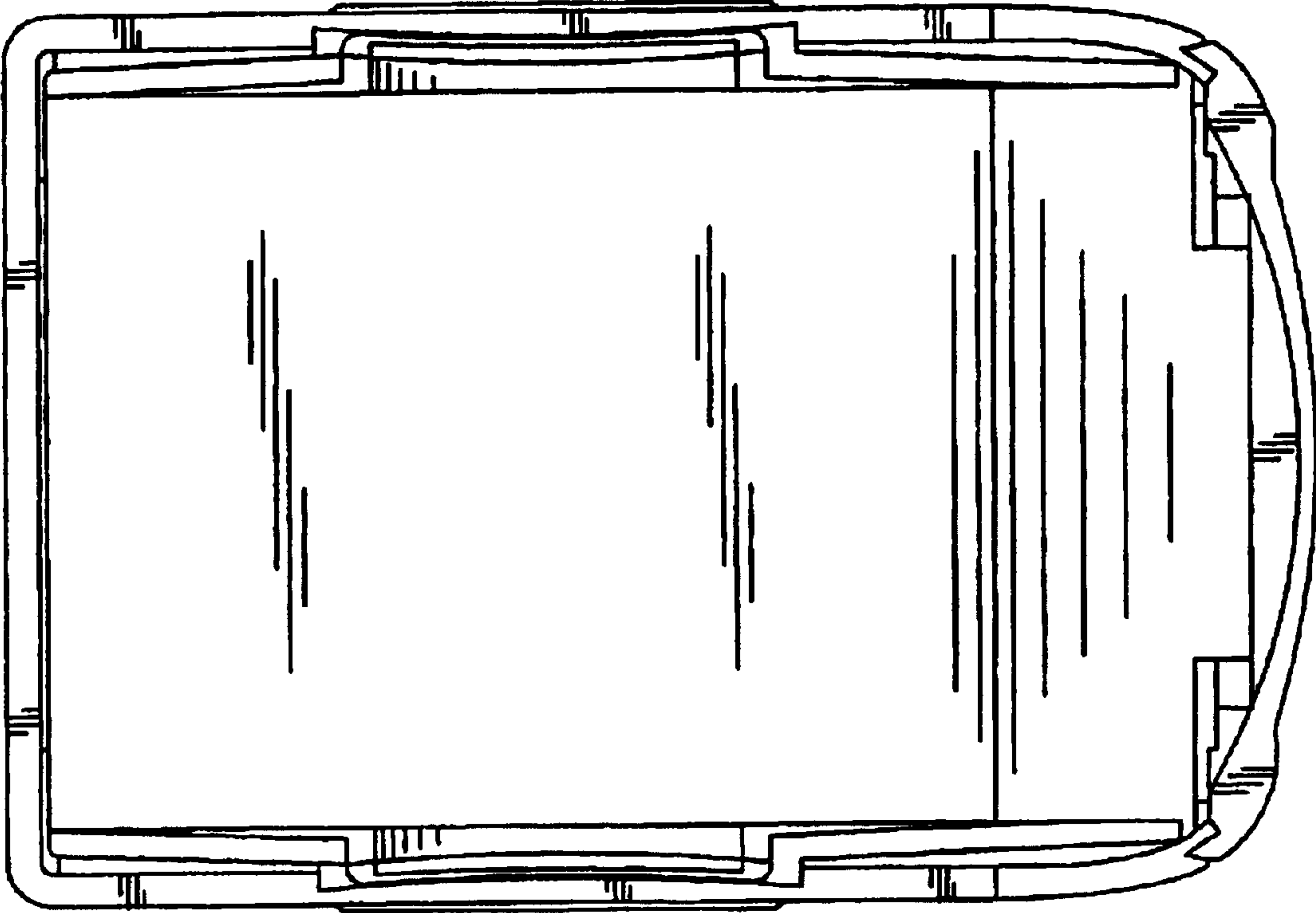


FIG. 3

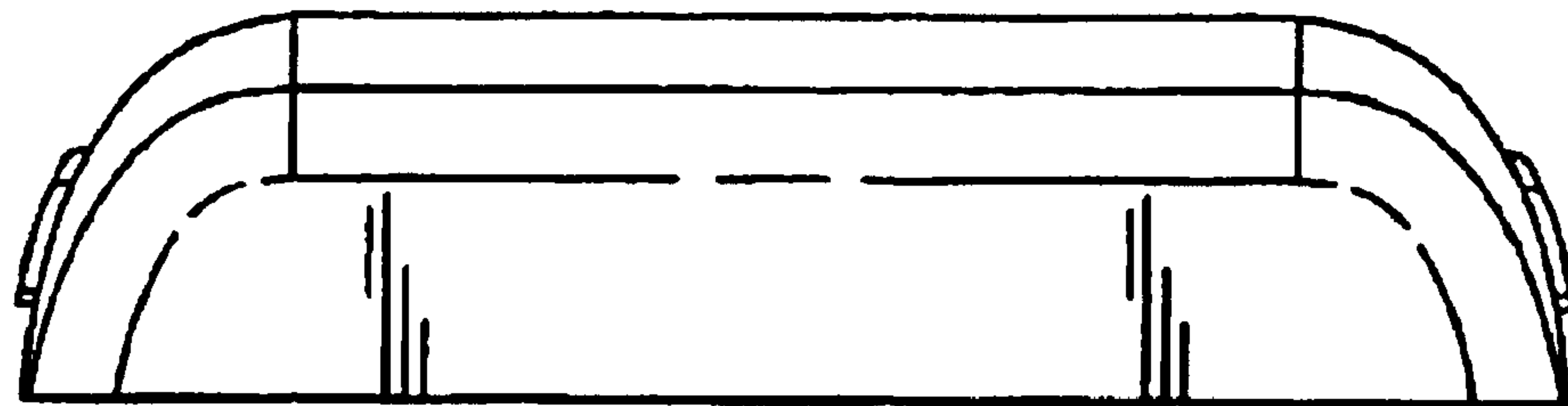


FIG. 4

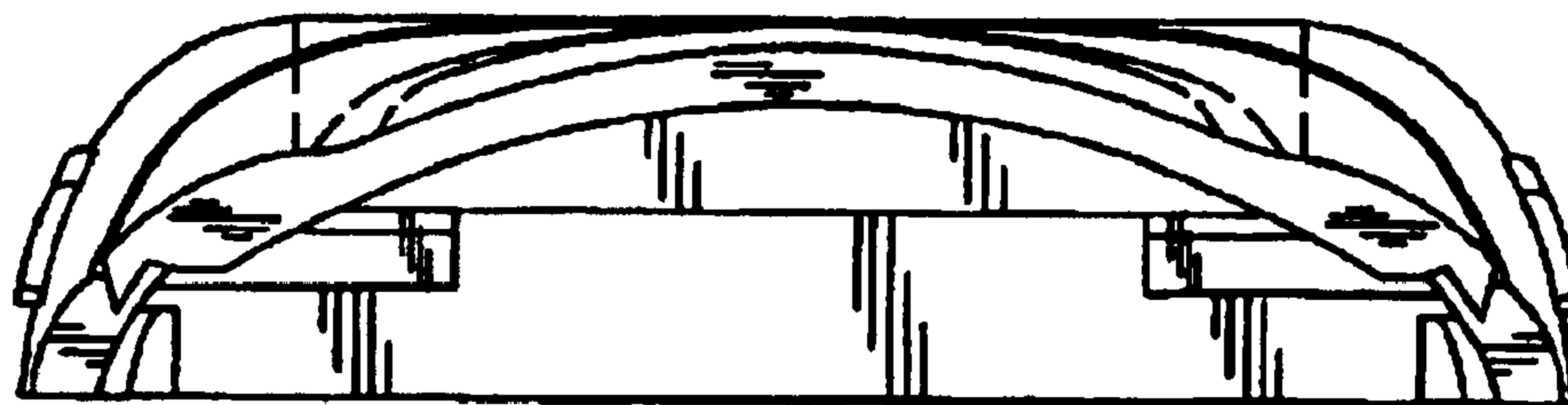


FIG. 5

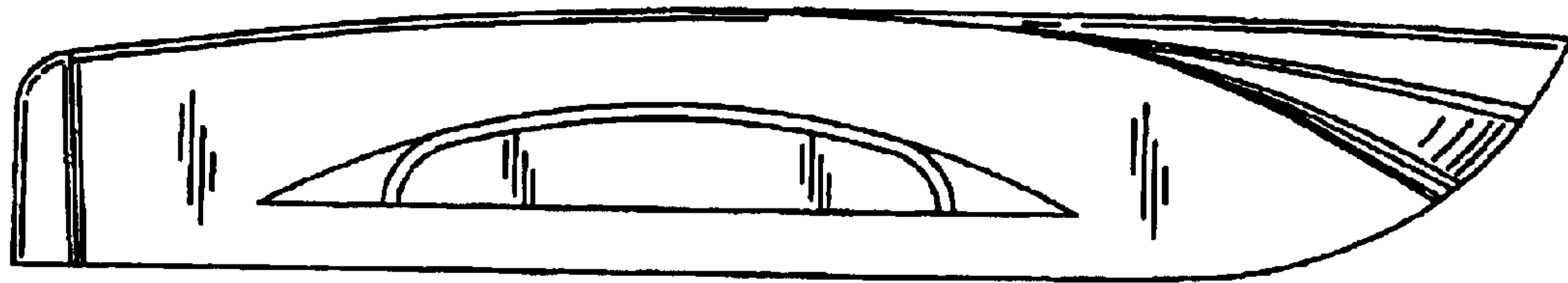


FIG. 6

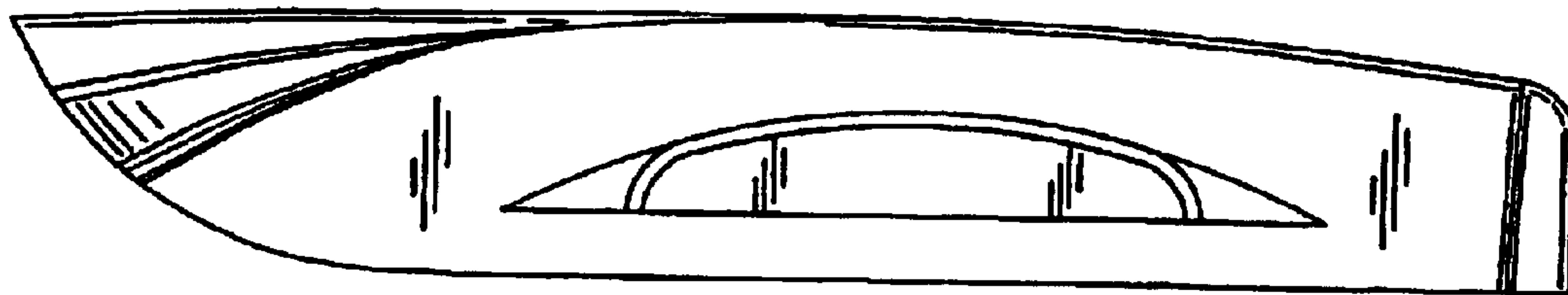


FIG. 7