

US00D501358S

(12) **United States Design Patent** (10) **Patent No.:** **US D501,358 S**
LoGiudice et al. (45) **Date of Patent:** **** Feb. 1, 2005**

(54) **HANDLE**

(75) Inventors: **Paul Angelo LoGiudice**, Toledo, OH (US); **Thomas Paviak**, Commerce Township, MI (US)

(73) Assignee: **Calphalon Corporation**, Freeport, IL (US)

(**) **Term:** **14 Years**

(21) Appl. No.: **29/183,285**

(22) Filed: **Jun. 11, 2003**

(51) **LOC (7) Cl.** **07-02**

(52) **U.S. Cl.** **D7/395**

(58) **Field of Search** D7/393, 395, 354-361; D8/107; 16/110.1, 430, 431, 436; 220/573.1-573.5, 752, 753, 757, 759, 769, 771, 912; 294/31.1

(56) **References Cited**

U.S. PATENT DOCUMENTS

103,055 A	*	5/1870	Kinzer	220/752
846,010 A		3/1907	Corbell		
927,088 A		7/1909	Wallace		
1,196,543 A		8/1916	Hauf, Jr.		
1,327,982 A		1/1920	Burns		
1,369,945 A		3/1921	Stearns		
1,464,731 A		8/1923	Smith		
1,554,887 A		9/1925	Smith		
1,580,582 A		4/1926	Carman		
1,627,575 A		5/1927	Rovelli		
1,837,109 A	*	12/1931	Burvenick	220/752
2,034,940 A		3/1936	Butler		
D140,046 S	*	1/1945	Behl	D7/394
2,368,898 A		2/1945	Swift Jr.		
2,371,537 A		3/1945	Mangini		
2,483,724 A		10/1949	Butler		
2,489,194 A		11/1949	Pistey		
2,493,751 A		1/1950	Davis		
D157,678 S	*	3/1950	Hess	D7/395
2,900,151 A		8/1959	Sims		
4,013,250 A		3/1977	McGaffin		
4,413,767 A	*	11/1983	Hellinger	D7/393

4,991,803 A		2/1991	Buder		
5,105,963 A		4/1992	Scott		
5,518,211 A		5/1996	Gaskill et al.		
5,666,874 A		9/1997	Wang		
5,678,790 A		10/1997	Dwyer		
5,715,570 A		2/1998	Hyun		
5,829,342 A		11/1998	Lee		
5,924,592 A		7/1999	Hieronymus		
5,941,411 A		8/1999	Langenbach		
6,032,822 A		3/2000	Munari		
D429,950 S	*	8/2000	Yu et al.	D7/395
D447,383 S	*	9/2001	Rae	D7/395

* cited by examiner

Primary Examiner—Terry A. Wallace

(74) *Attorney, Agent, or Firm*—Foley & Lardner LLP

(57) **CLAIM**

The ornamental design for the handle, as shown and described.

DESCRIPTION

FIG. 1 is a perspective top, front and right side view of the handle showing a first embodiment of the new design; FIG. 2 is a perspective top, rear and left side view of the handle of FIG. 1; FIG. 3 is a top plan view of the handle of FIG. 1; FIG. 4 is a bottom plan view of the handle of FIG. 1; FIG. 5 is a rear elevation view of the handle of FIG. 1; FIG. 6 is a front elevation view of the handle of FIG. 1; FIG. 7 is a left side elevation view of the handle of FIG. 1; FIG. 8 is a right side elevation view of the handle of FIG. 1; FIG. 9 is a top plan view showing the new design positioned on an article of cookware; FIG. 10 is a left side elevation view showing the new design positioned on an article of cookware; and, FIG. 11 is a front elevation view showing the new design positioned on an article of cookware.

The ornamental design which is claimed is shown in solid lines in the drawings. The broken lines in the drawings are for illustrative purposes only and form no part of the claimed design.

1 Claim, 6 Drawing Sheets

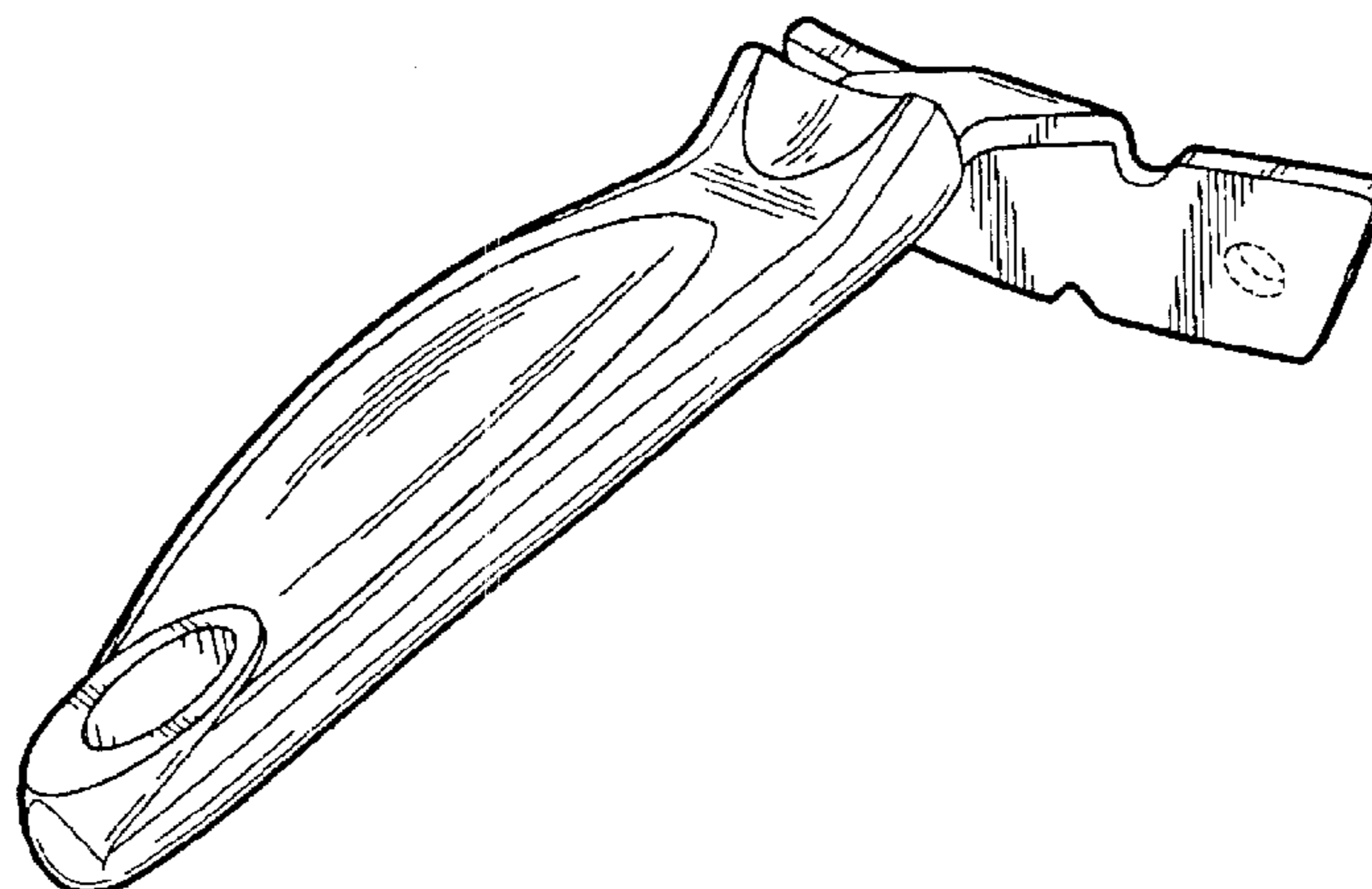


Fig. 1

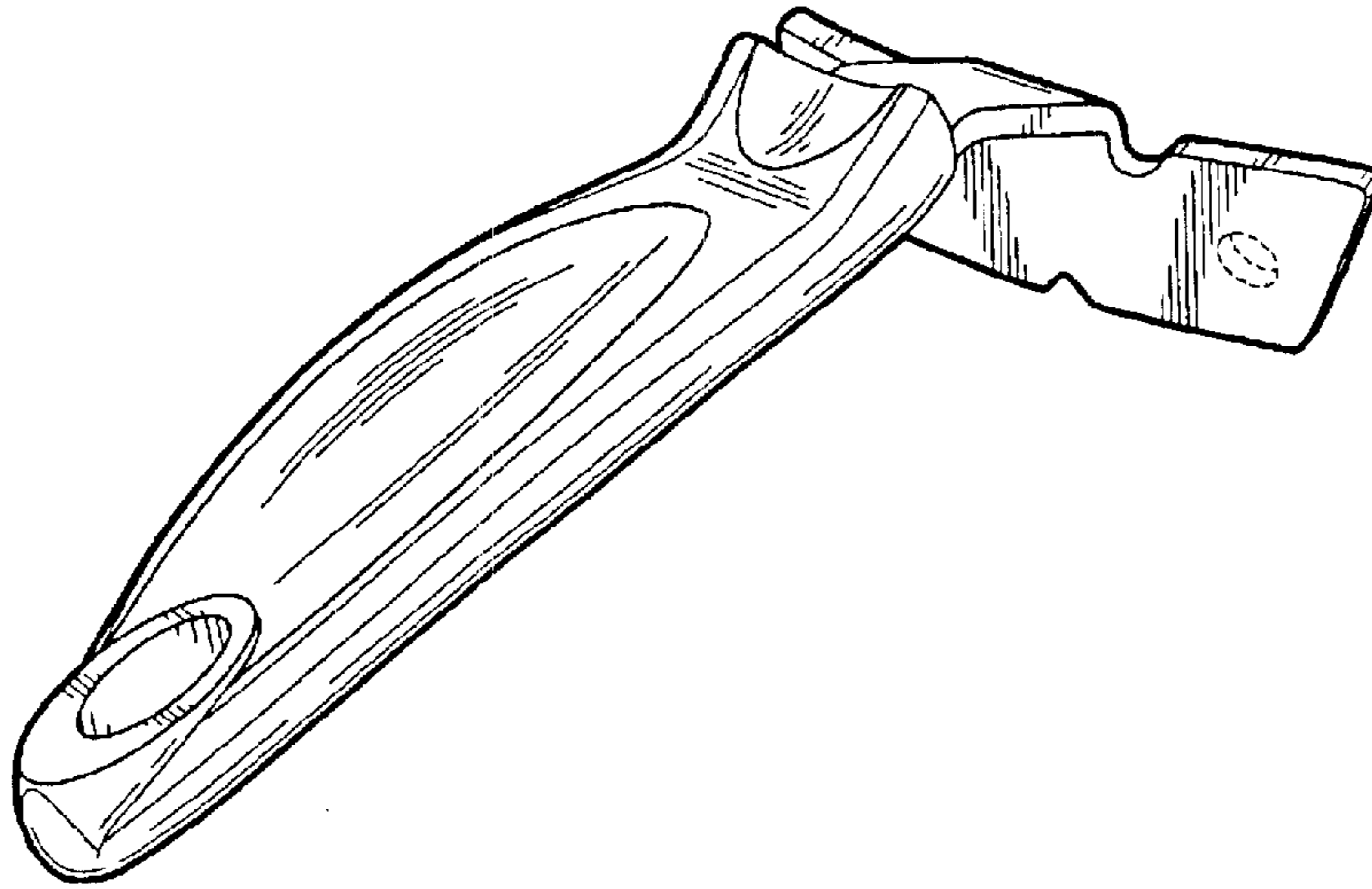


Fig. 2

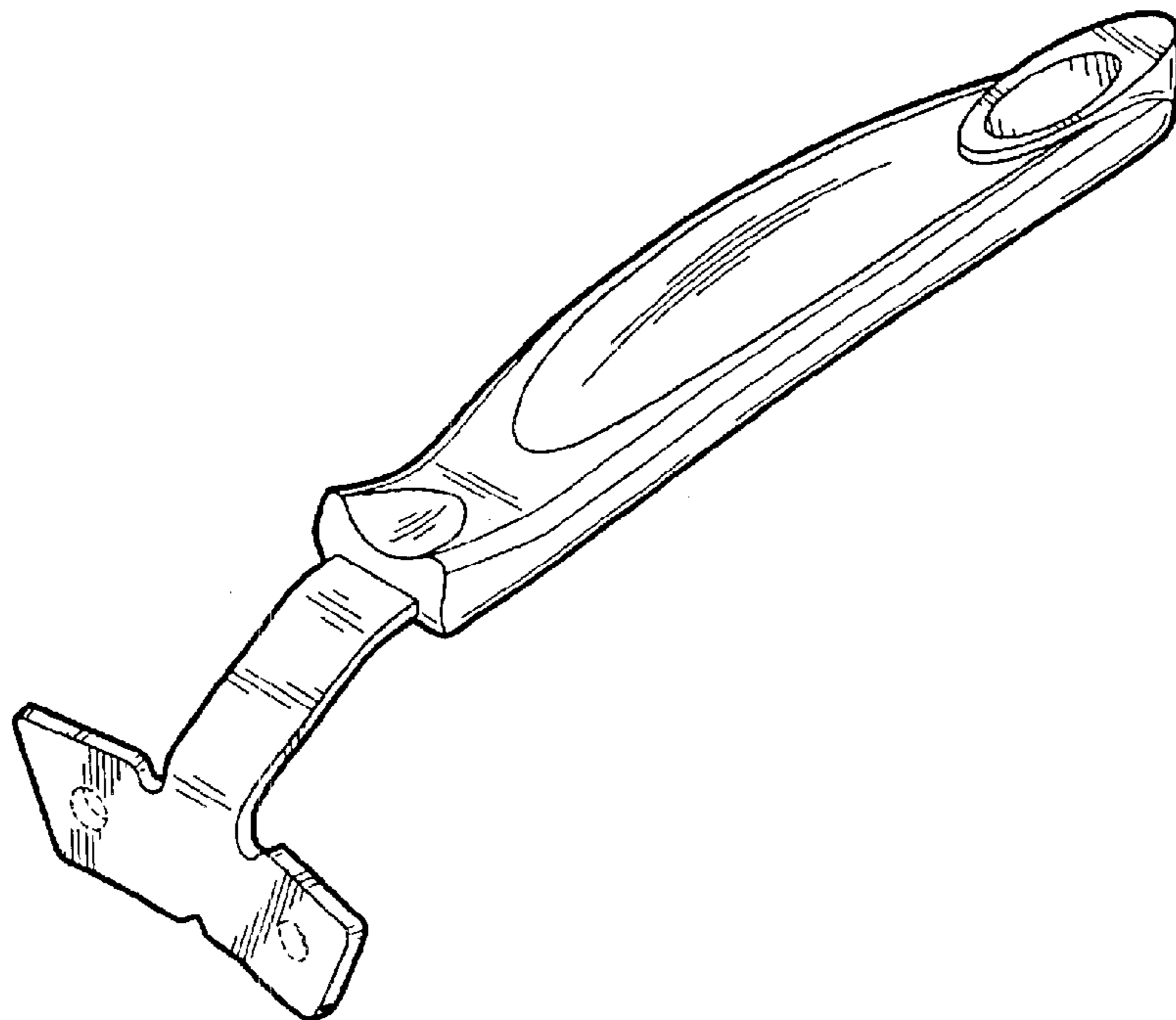


Fig. 3

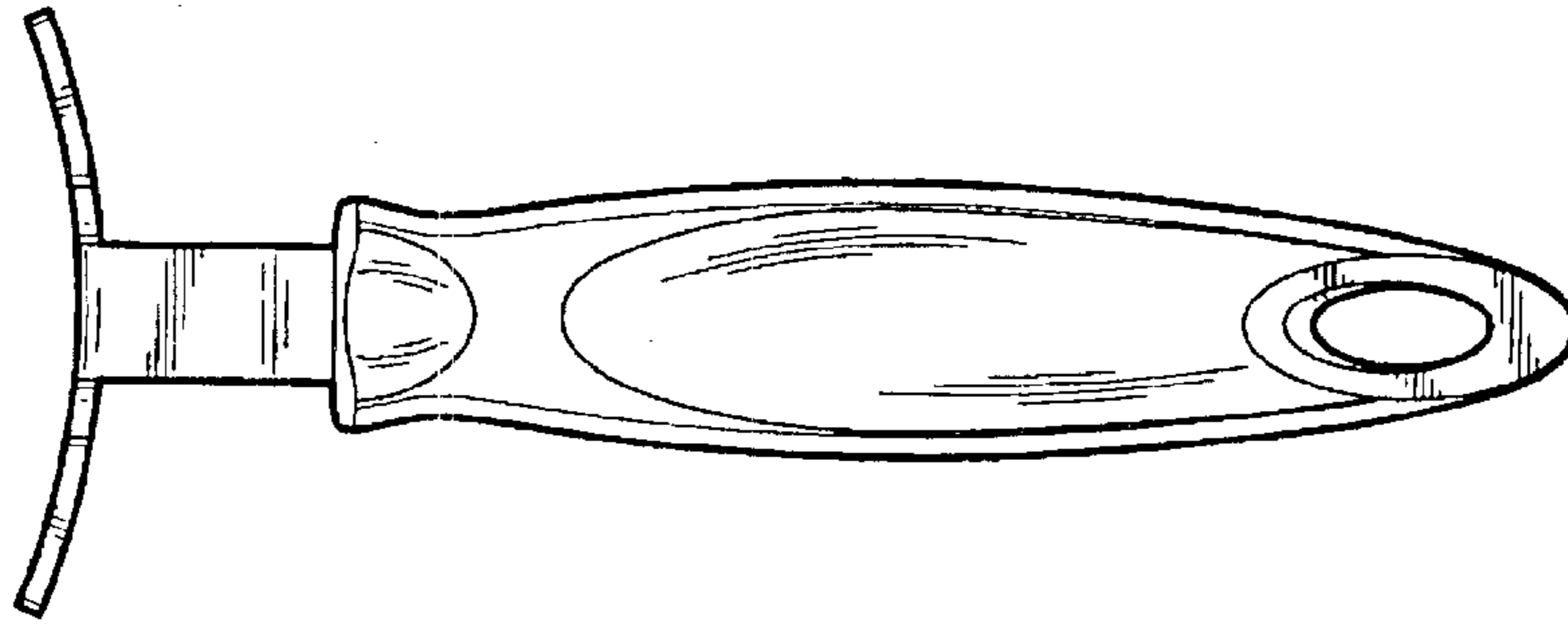


Fig. 4

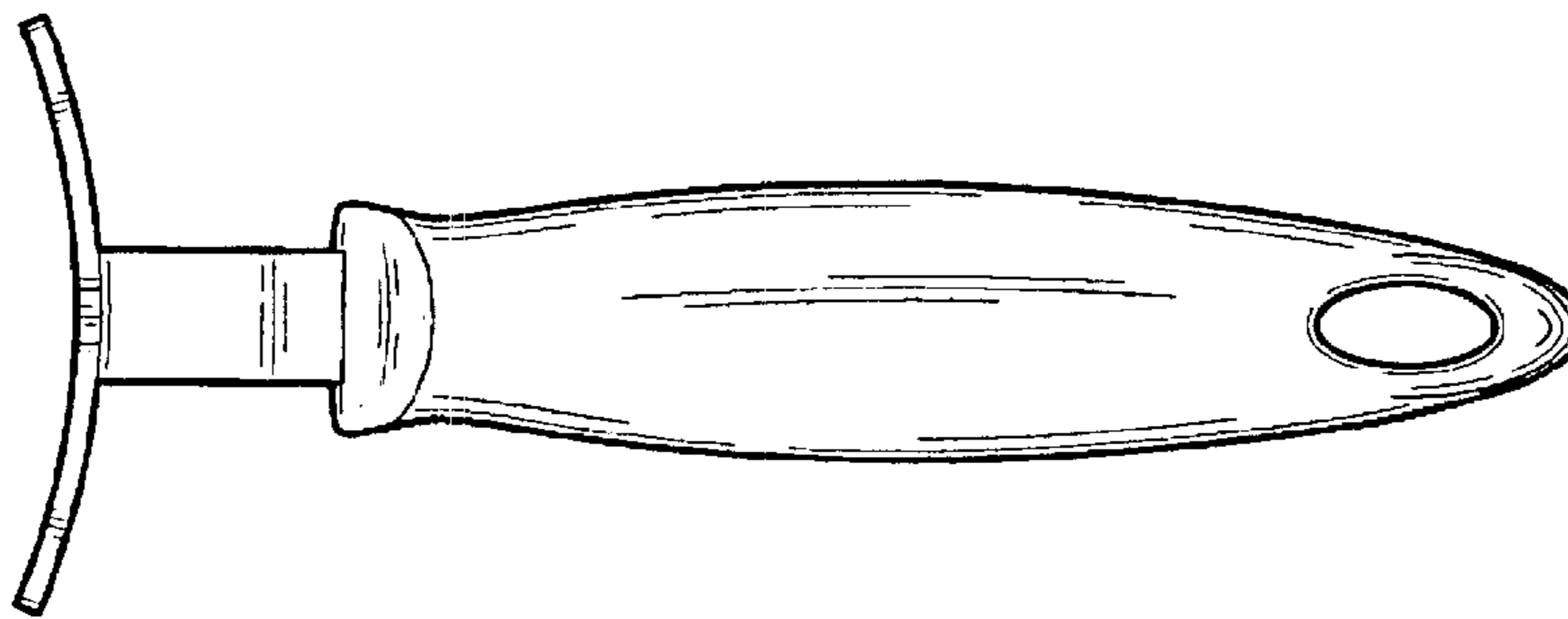


Fig. 5

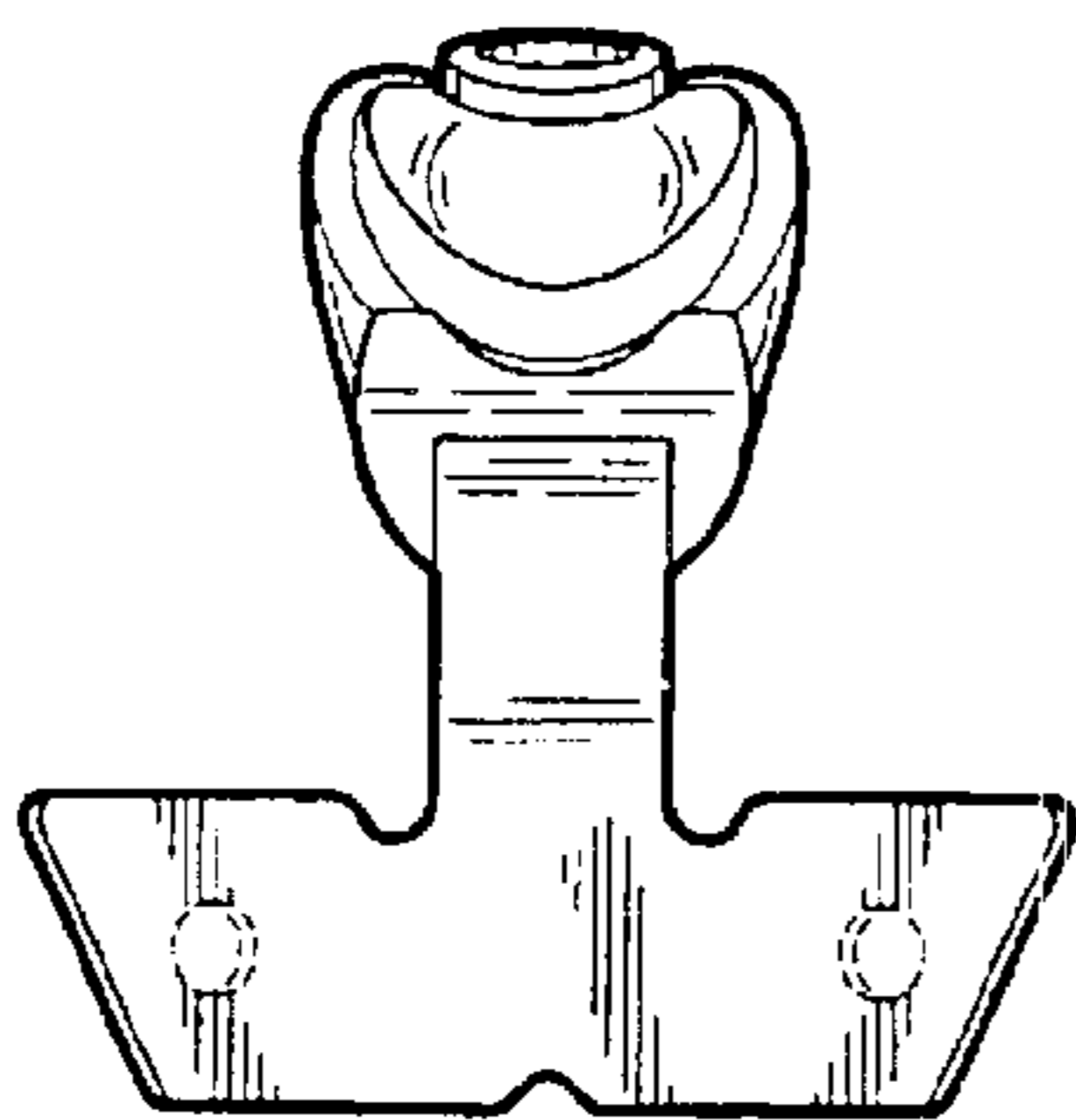


Fig. 6

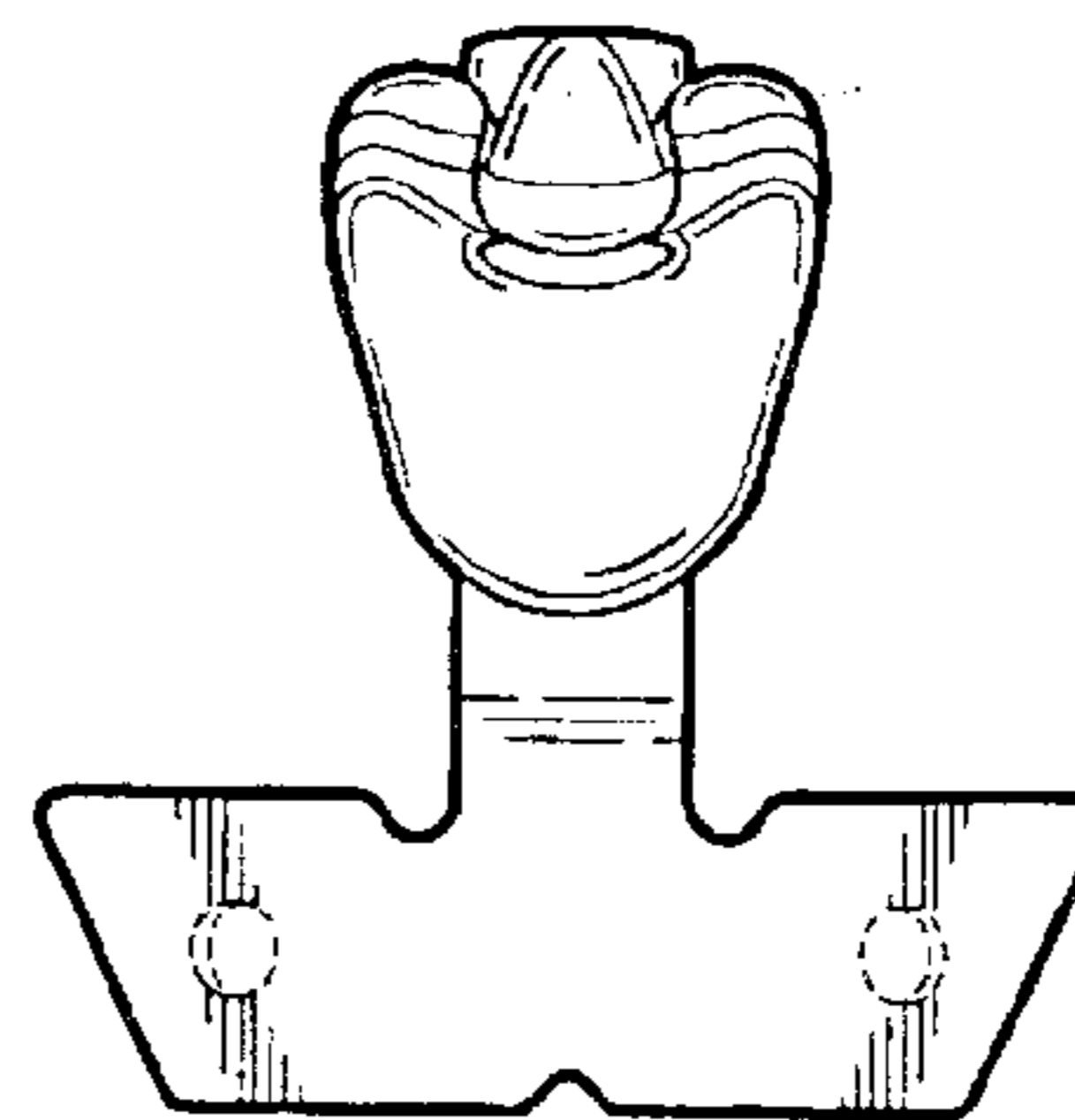


Fig. 7

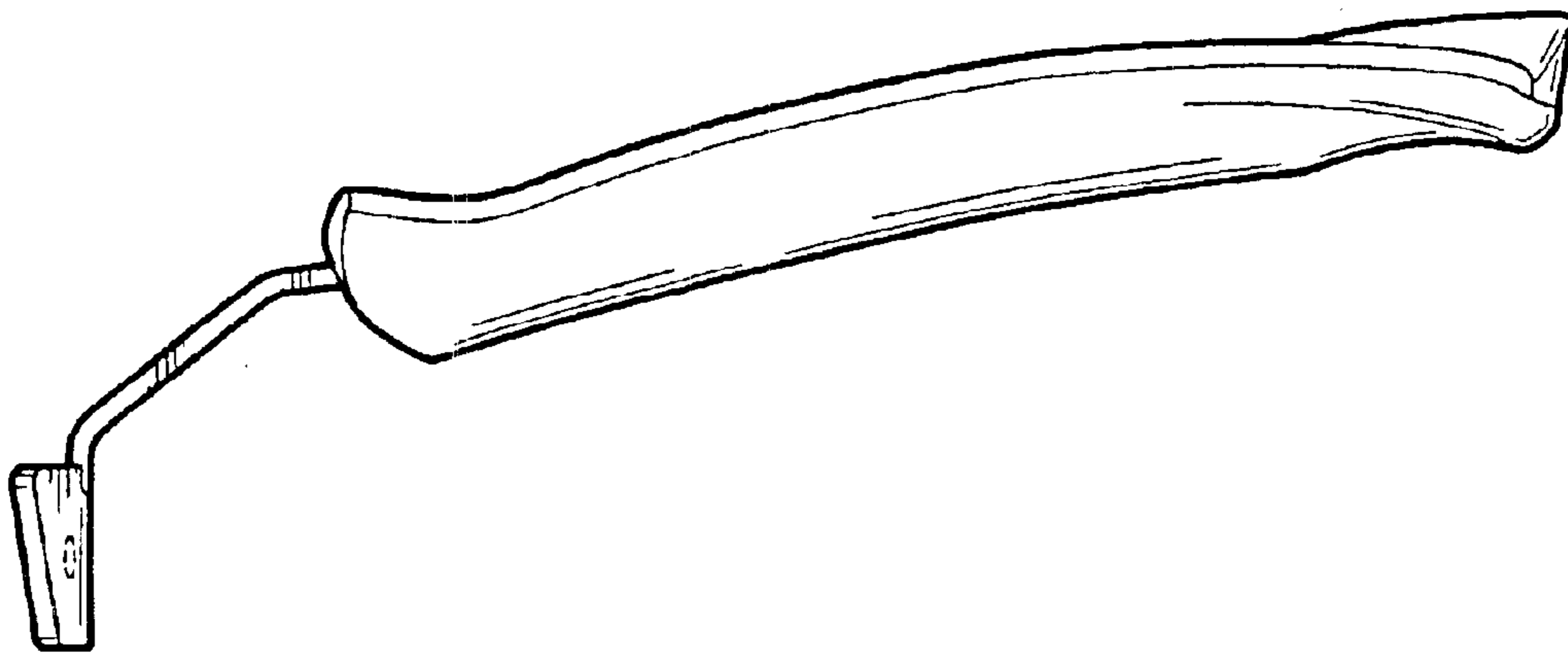


Fig. 8



Fig. 9

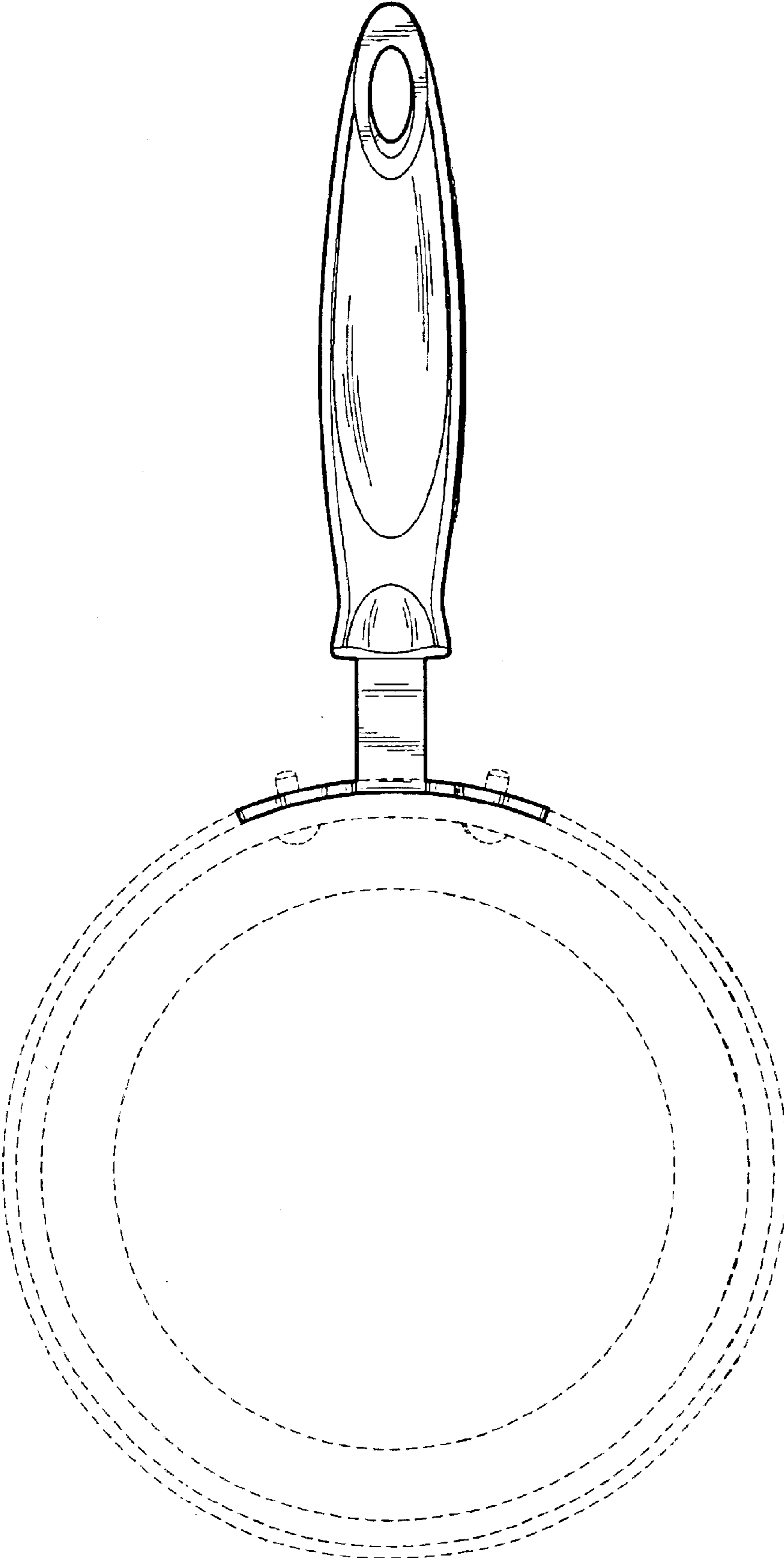


Fig. 10

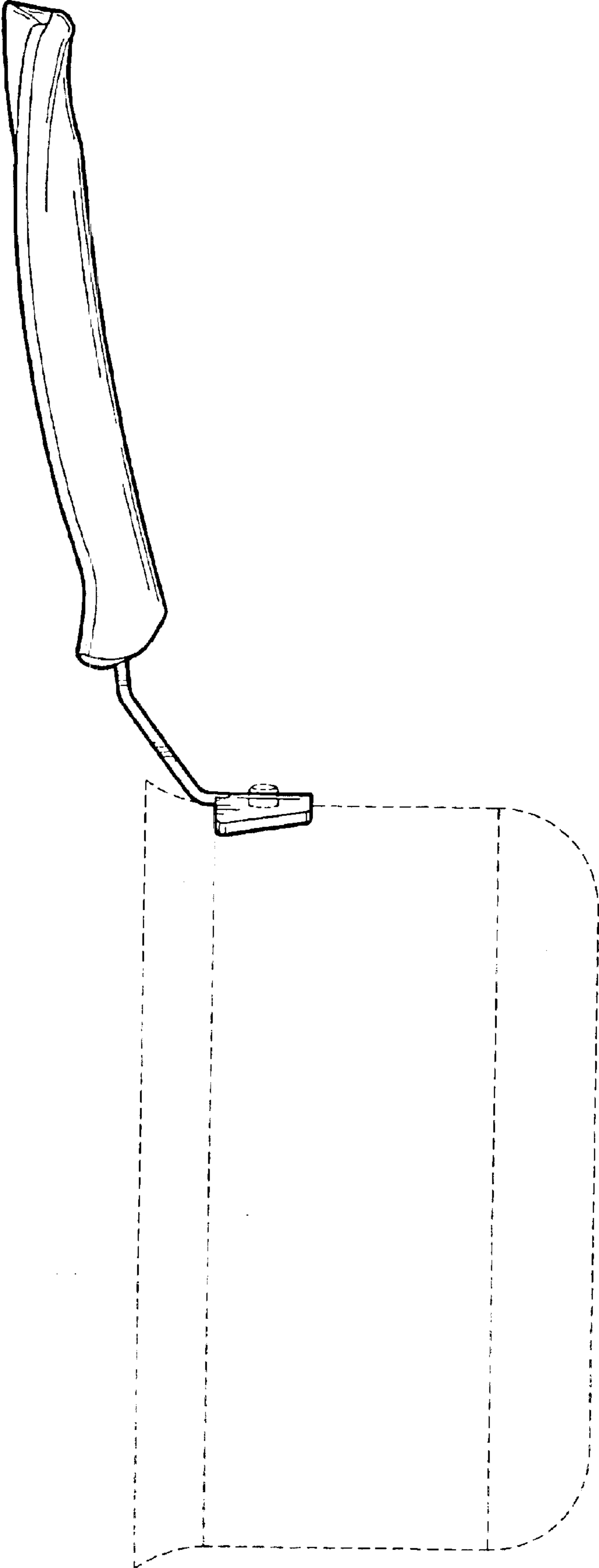


Fig. 11

