

US00D501357S

(12) **United States Design Patent** (10) **Patent No.:** **US D501,357 S**
Rae (45) **Date of Patent:** **** Feb. 1, 2005**

(54) **HANDLE FOR ARTICLE OF COOKWARE**

(75) **Inventor:** **Robert A. Rae, Kowloon (HK)**

(73) **Assignee:** **Meyer Intellectual Properties Limited (HK)**

(**) **Term:** **14 Years**

(21) **Appl. No.:** **29/182,305**

(22) **Filed:** **May 23, 2003**

Related U.S. Application Data

(63) Continuation-in-part of application No. 29/179,224, filed on Apr. 7, 2003.

(51) **LOC (7) Cl.** **07-02**

(52) **U.S. Cl.** **D7/395**

(58) **Field of Search** D7/393, 395, 401.2, D7/354-361; D8/107; 16/110.1, 430, 431, 436; 220/573.1-573.5, 752, 753, 757, 759, 771, 769, 912

(56) **References Cited**

U.S. PATENT DOCUMENTS

D140,046 S	*	1/1945	Behl	D7/394
4,413,767 A		11/1983	Hellinger	D7/393
4,926,521 A	*	5/1990	Gagnepain	16/430
D392,151 S		3/1998	Munari	D7/395
D417,121 S	*	11/1999	Brunianyn	D7/395

* cited by examiner

Primary Examiner—Terry A. Wallace

(74) *Attorney, Agent, or Firm*—Wood, Herron & Evans, LLP

(57) **CLAIM**

The ornamental design for “handle for article of cookware,” as shown and described.

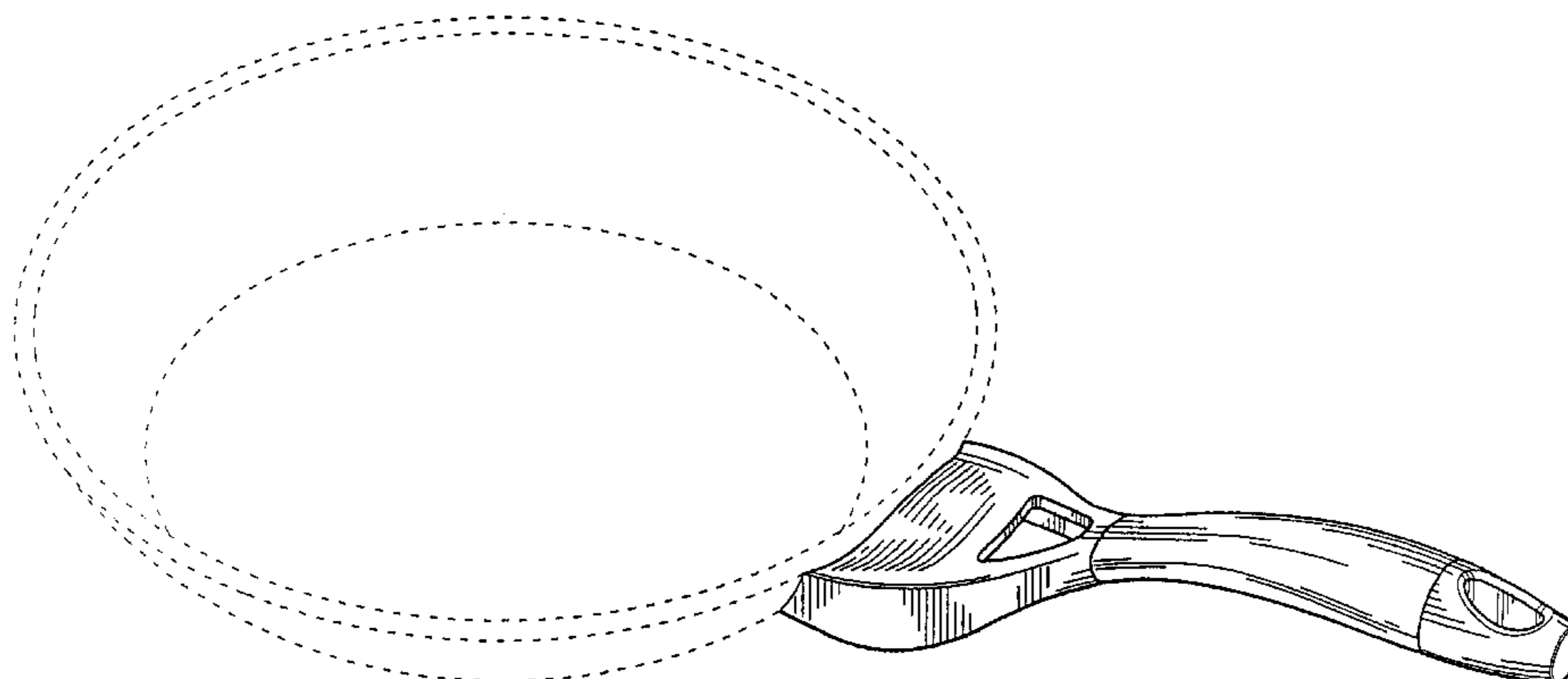
DESCRIPTION

FIG. 1 is a perspective view of a handle for an article of cookware showing my new design;

FIG. 2 is a right side elevation view thereof;
 FIG. 3 is a left side elevation view thereof;
 FIG. 4 is a top plan view thereof;
 FIG. 5 is a bottom plan view thereof;
 FIG. 6 is a front elevation view thereof;
 FIG. 7 is a rear elevation view thereof;
 FIG. 8 is a perspective view thereof shown on a different article of cookware;
 FIG. 9 is a perspective view of an alternate embodiment of FIG. 1;
 FIG. 10 is a right side elevation view of FIG. 9;
 FIG. 11 is a left side elevation view of FIG. 9;
 FIG. 12 is a top plan view of FIG. 9;
 FIG. 13 is a bottom plan view of FIG. 9;
 FIG. 14 is a front elevation view of FIG. 9;
 FIG. 15 is a rear elevation view of FIG. 9;
 FIG. 16 is a perspective view of FIG. 9 shown on a different article of cookware;
 FIG. 17 is a perspective view of an alternate embodiment of FIG. 1;
 FIG. 18 is a right side elevation view of FIG. 17;
 FIG. 19 is a left side elevation view of FIG. 17;
 FIG. 20 is a top plan view of FIG. 17;
 FIG. 21 is a bottom plan view of FIG. 17;
 FIG. 22 is a front elevation view of FIG. 17;
 FIG. 23 is a rear elevation view of FIG. 17;
 FIG. 24 is a perspective view of FIG. 17 shown on a different article of cookware;
 FIG. 25 is a front perspective view of an alternate embodiment of FIG. 1;
 FIG. 26 is a right side elevation view of FIG. 25;
 FIG. 27 is a left side elevation view of FIG. 25;
 FIG. 28 is a top plan view of FIG. 25;
 FIG. 29 is a bottom plan view of FIG. 25;
 FIG. 30 is a front elevation view of FIG. 25;
 FIG. 31 is a rear elevation view of FIG. 25; and,
 FIG. 32 is a perspective view of FIG. 25 shown on a different article of cookware.

The broken lines are for illustrative purposes only and form no part of the claimed design.

1 Claim, 32 Drawing Sheets



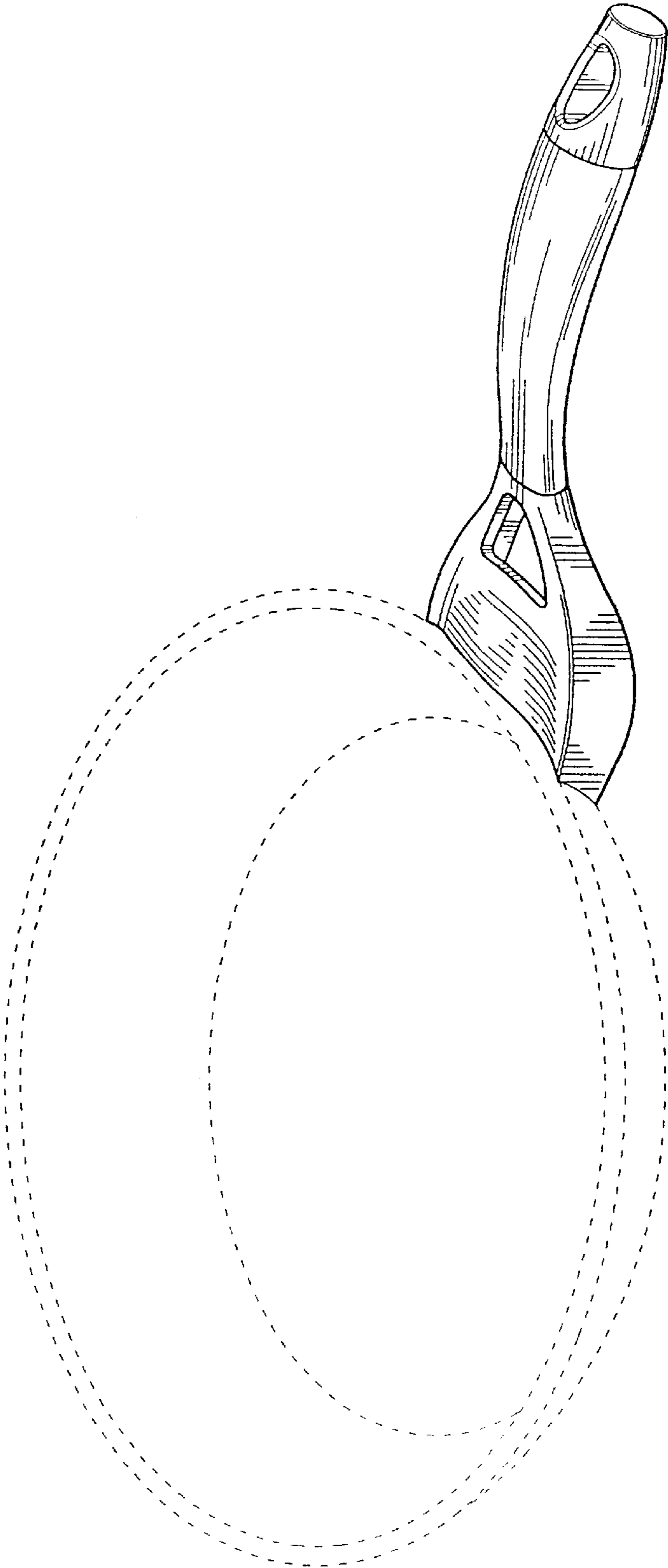


FIG. 1

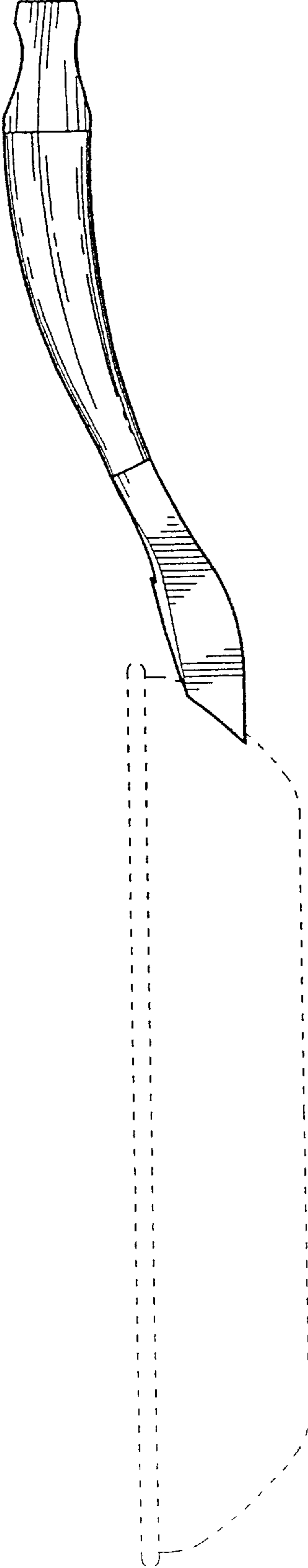


FIG. 2

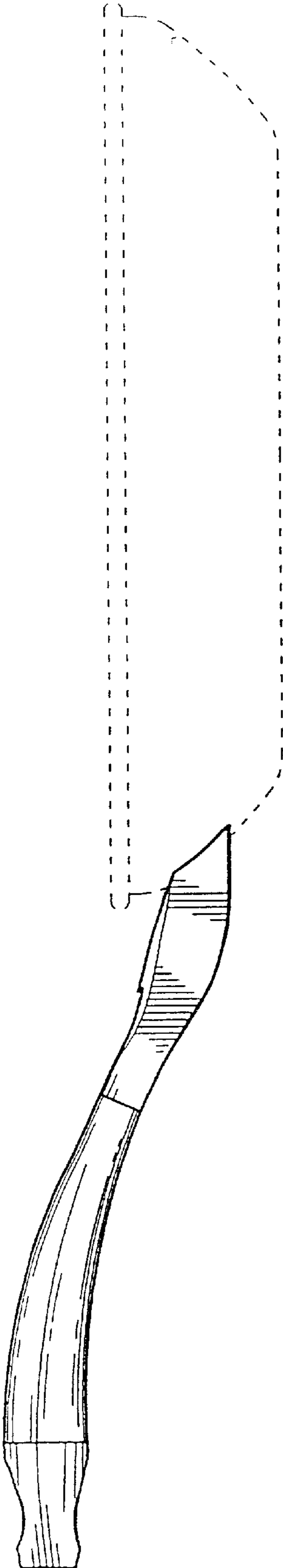


FIG. 3

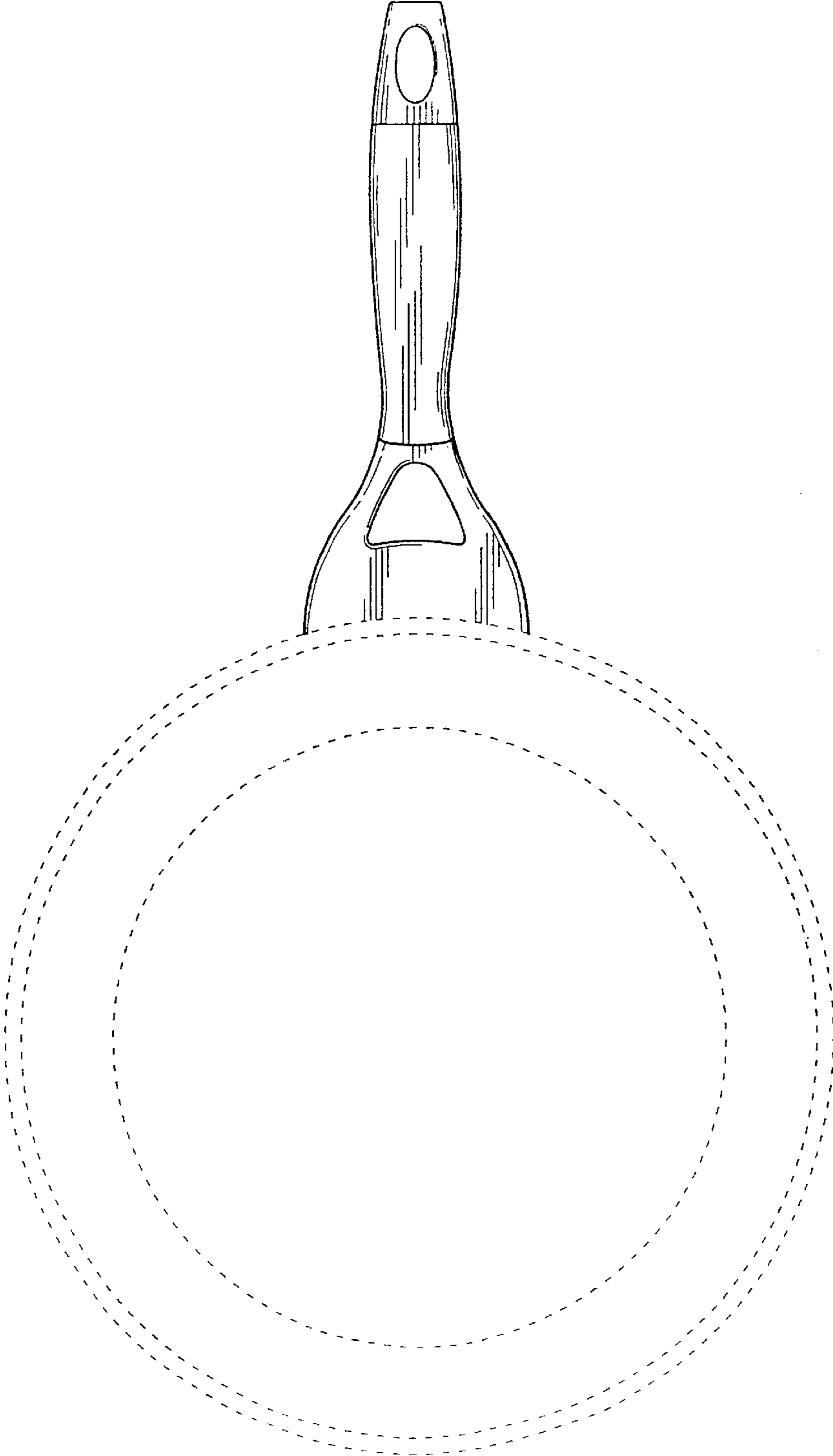


FIG. 4

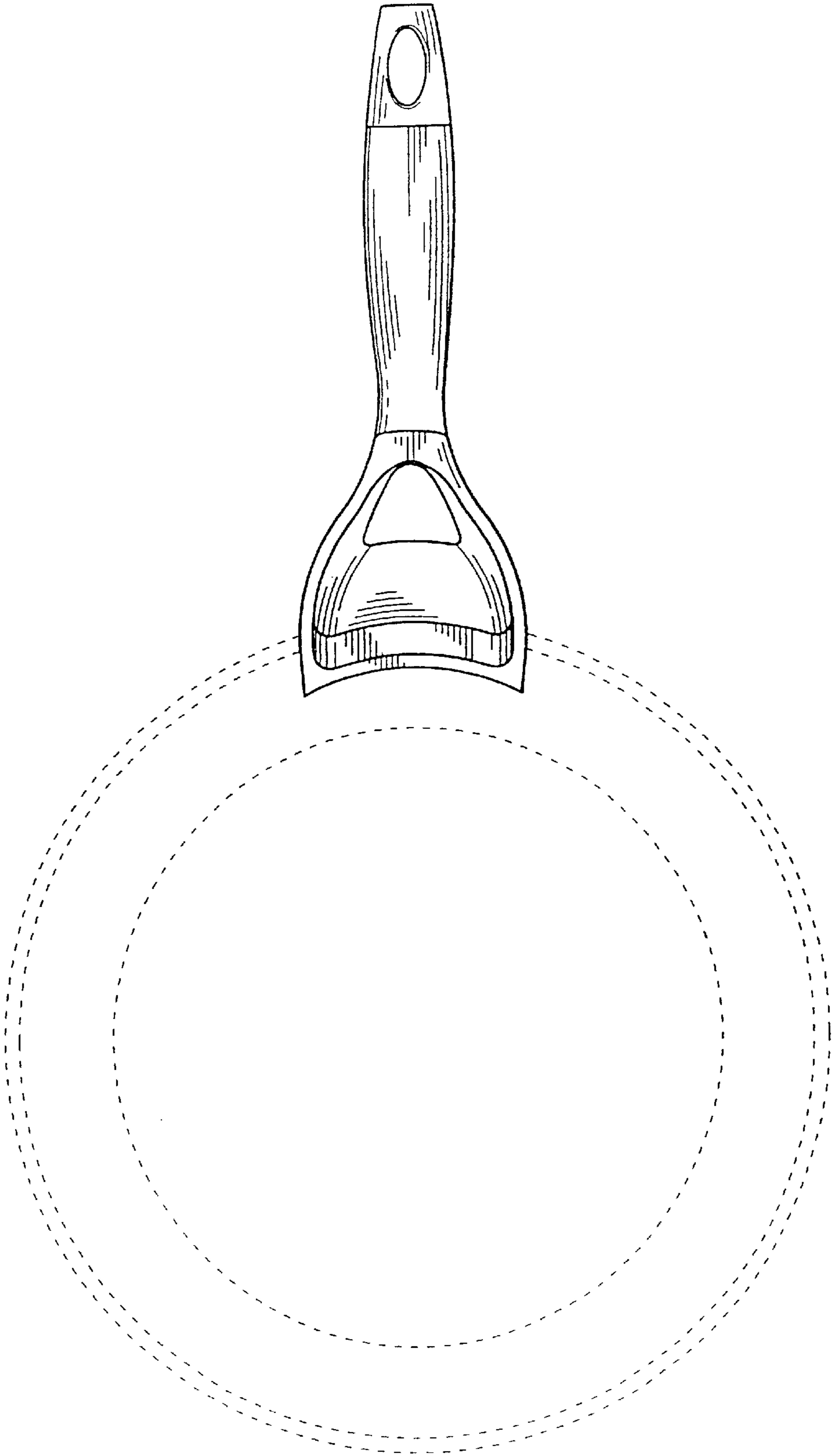


FIG. 5

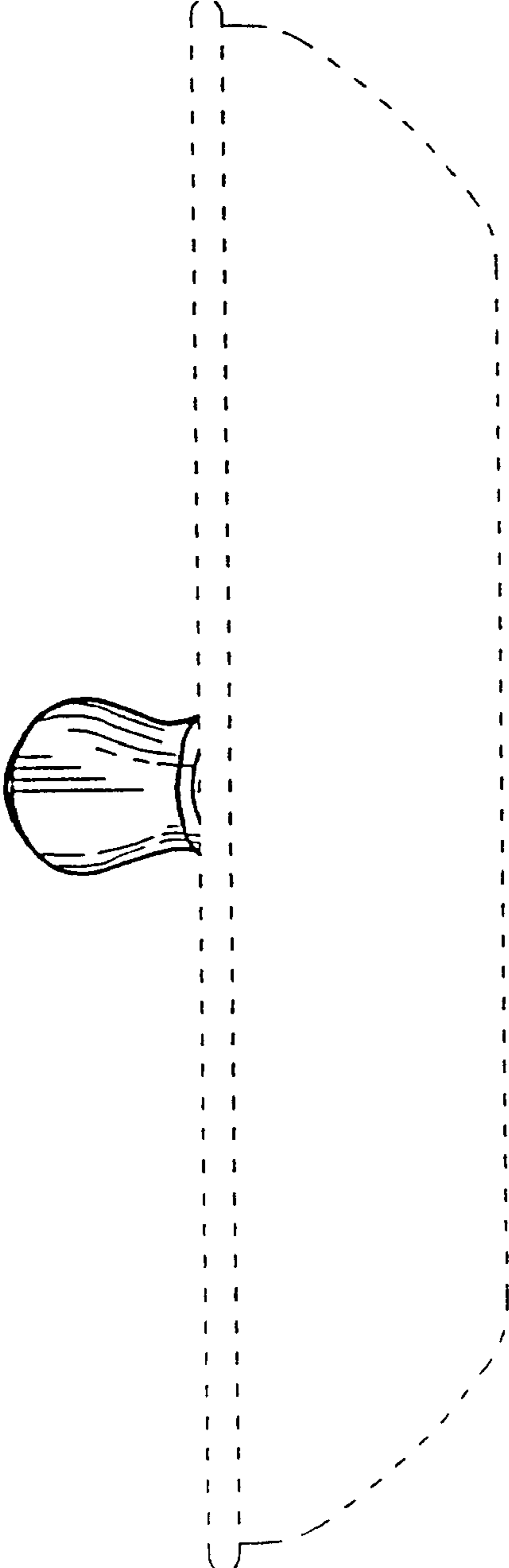


FIG. 6

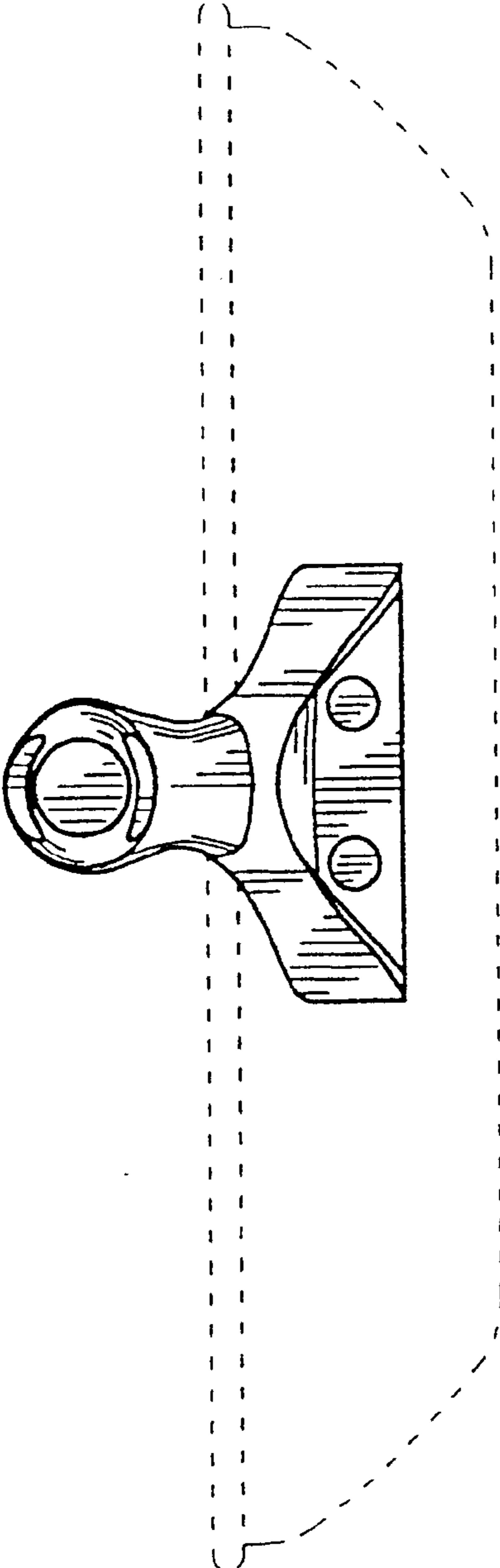


FIG. 7

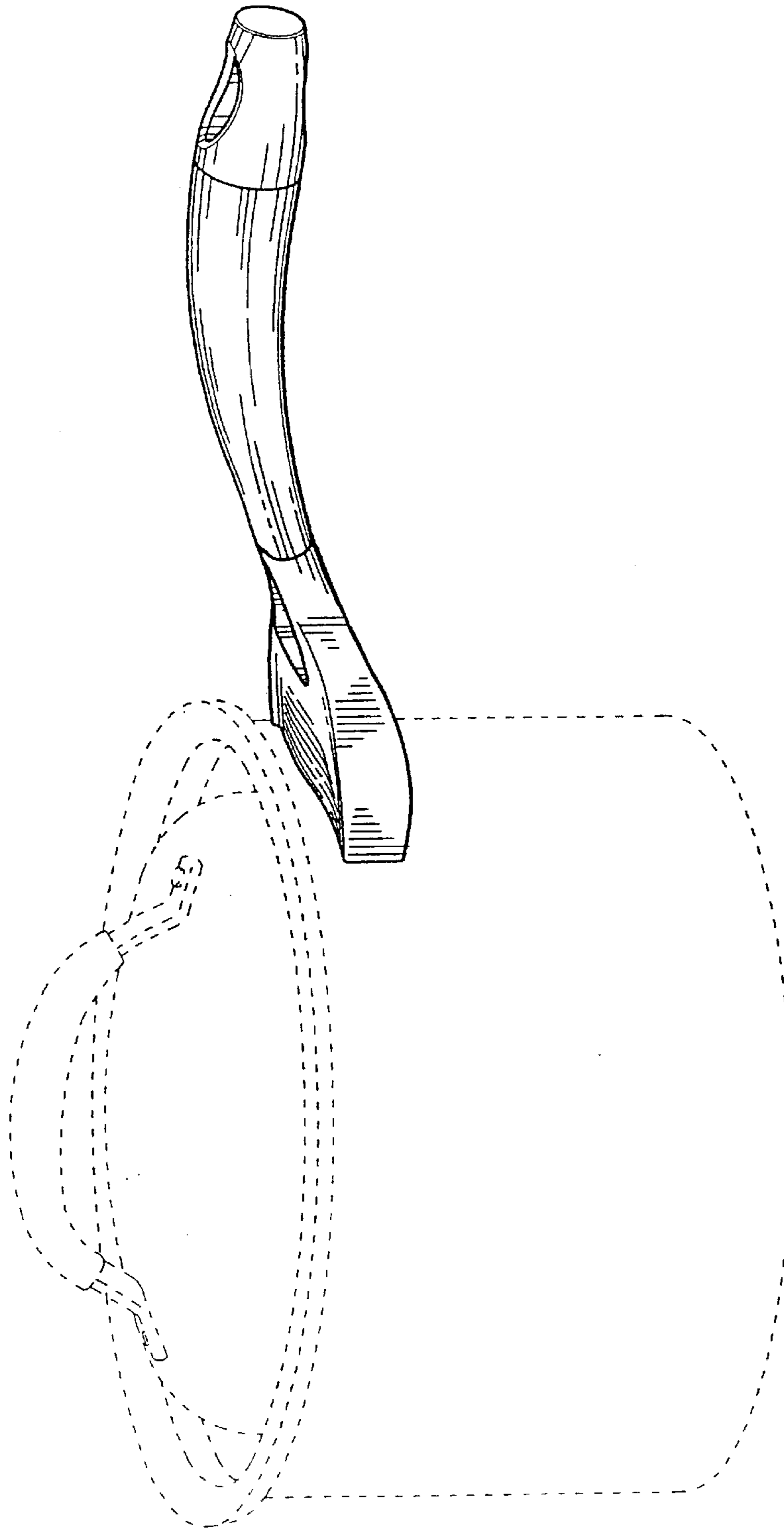


FIG. 8

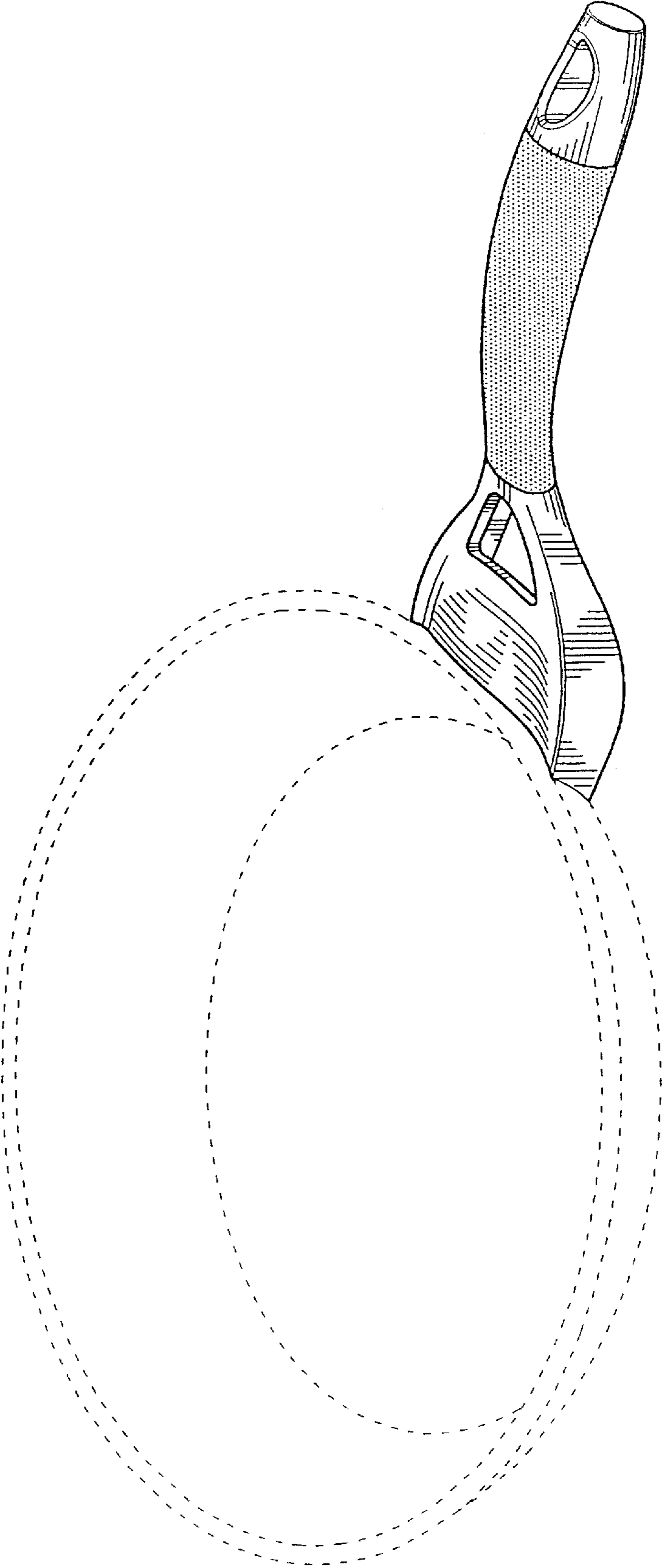


FIG. 9

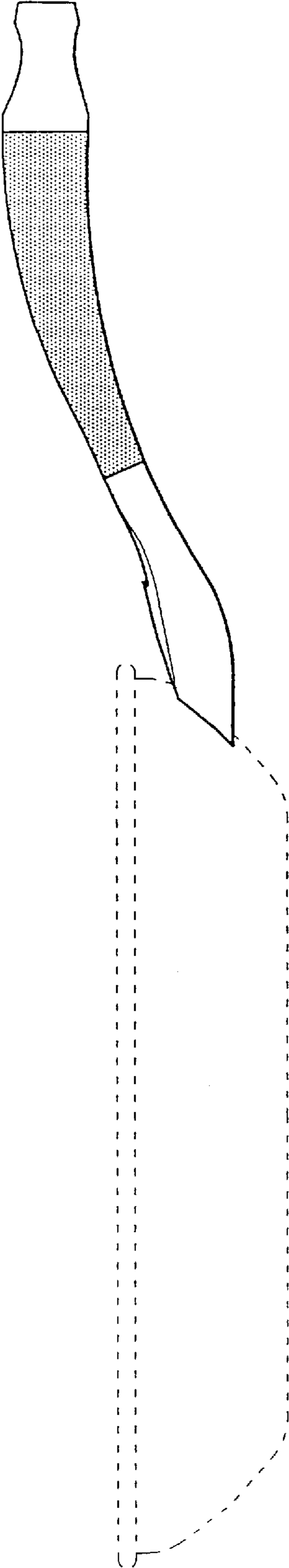


FIG. 10

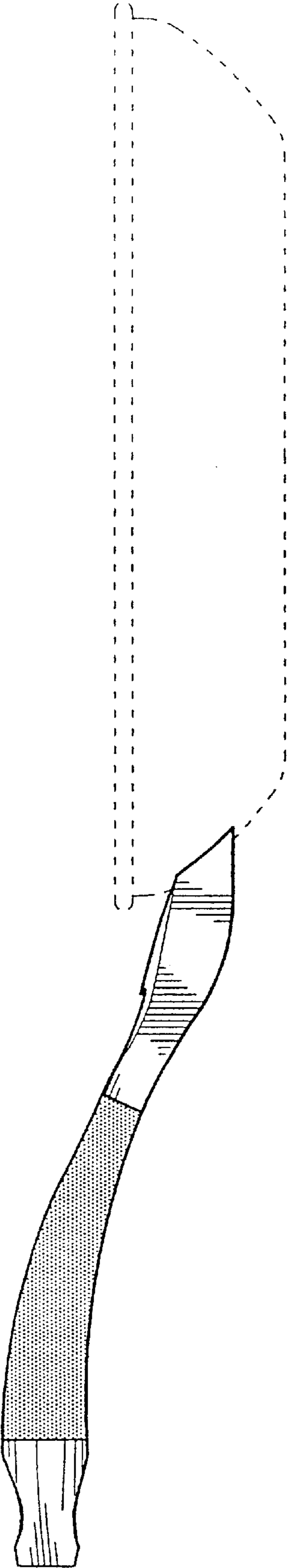


FIG. 11

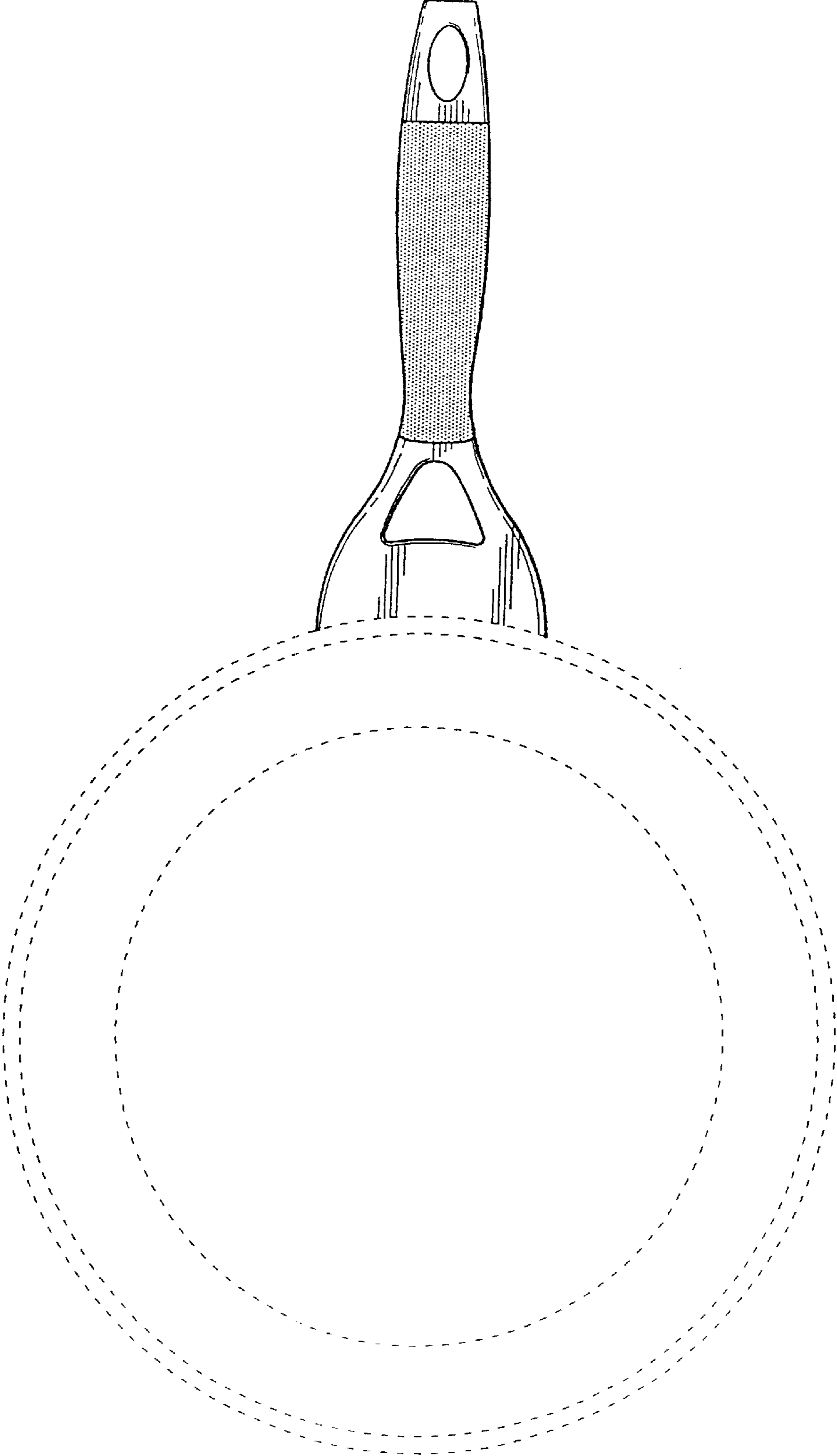


FIG. 12

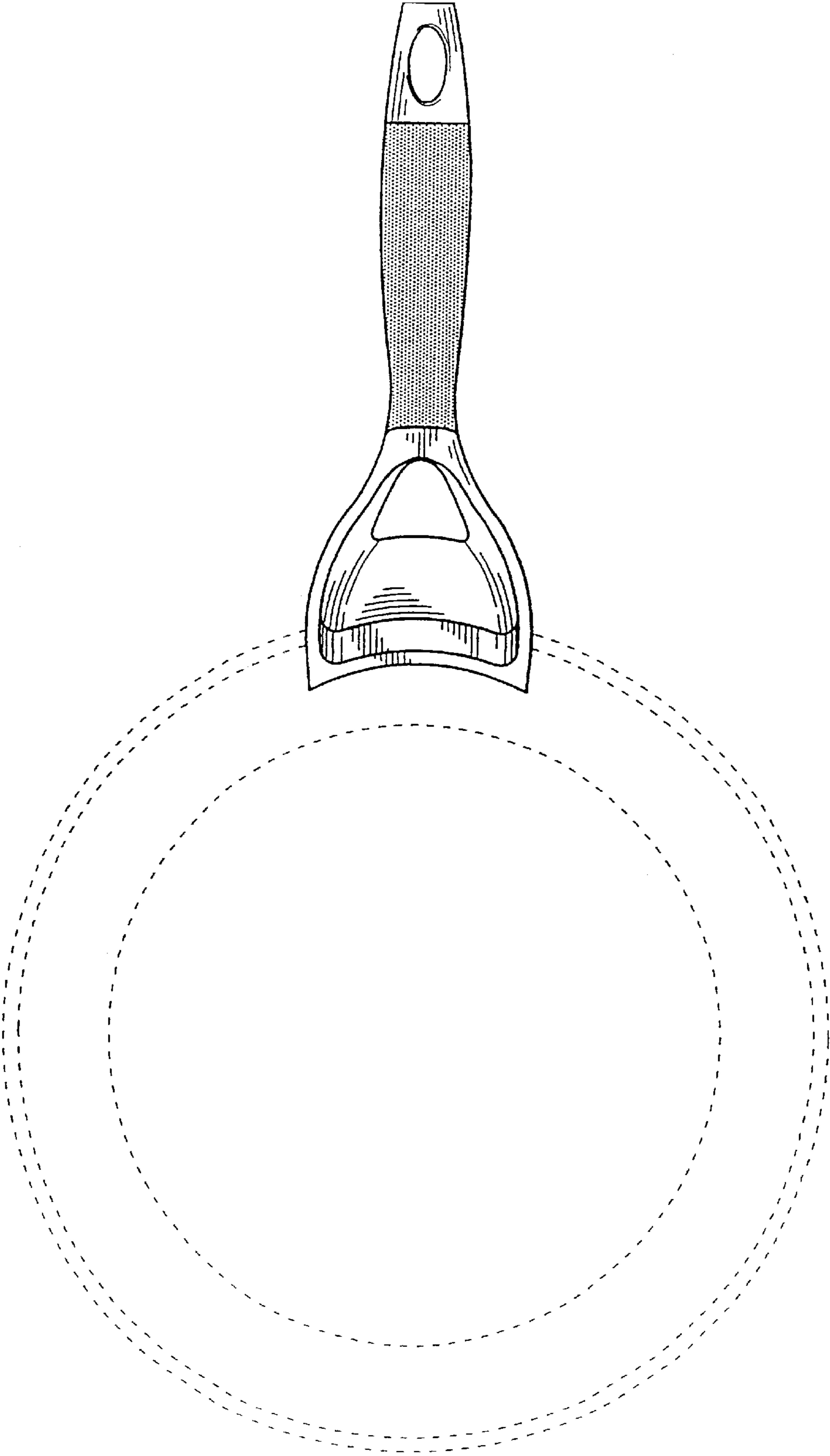


FIG. 13

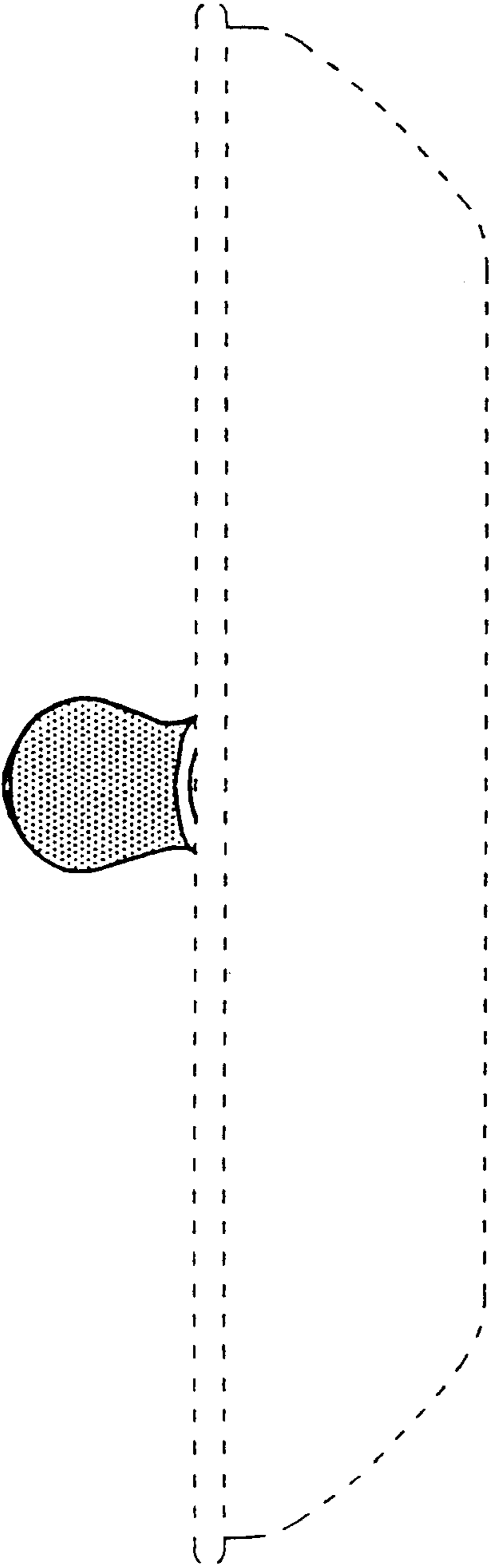


FIG. 14

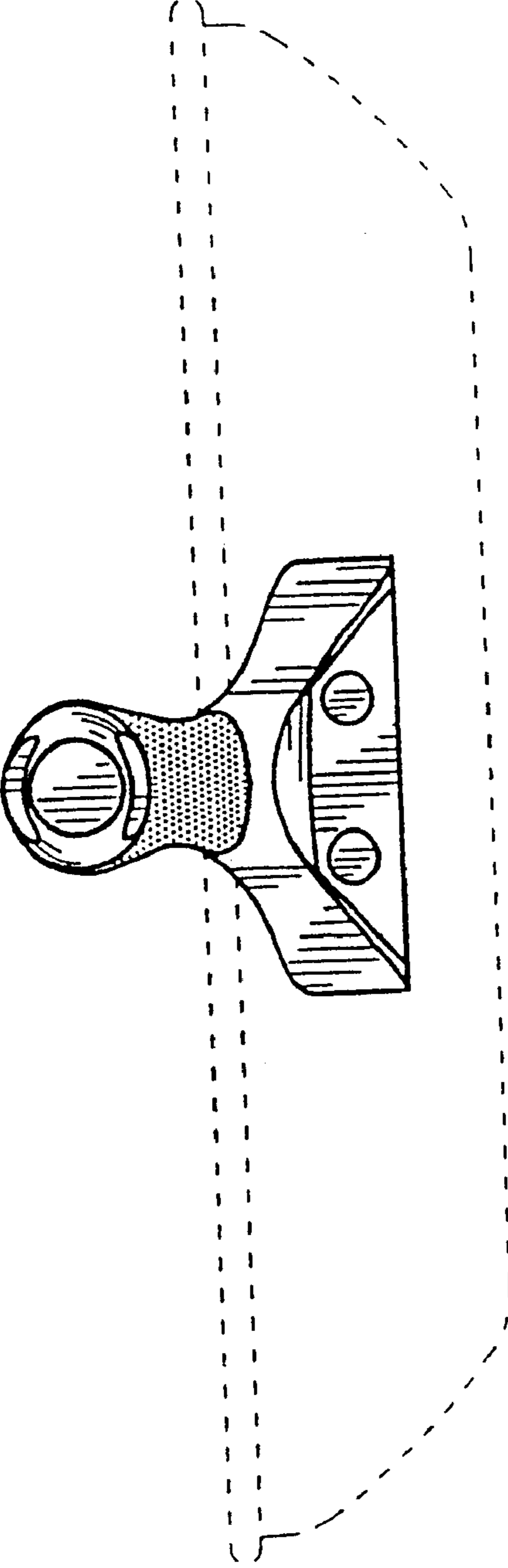


FIG. 15

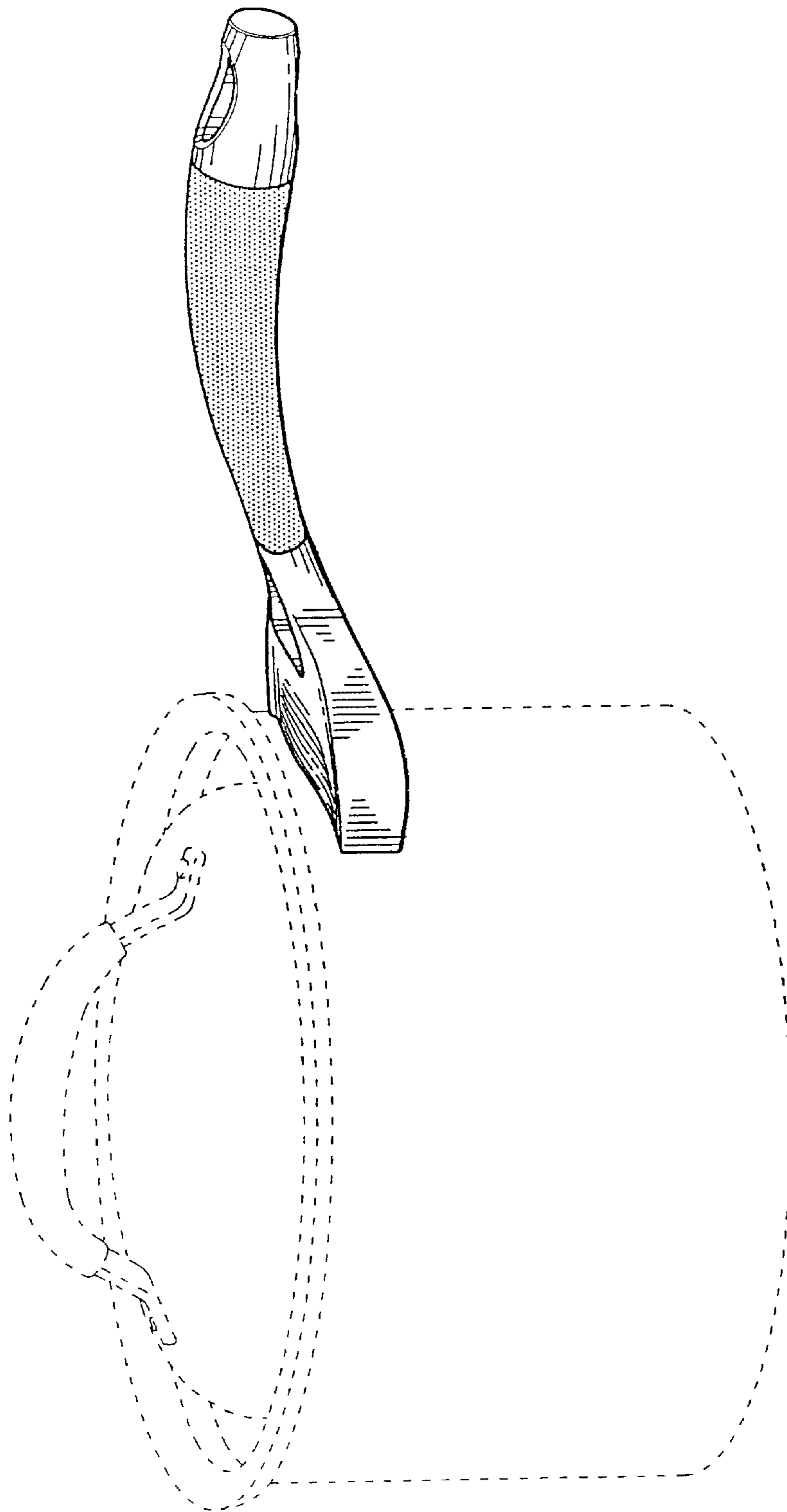


FIG. 16

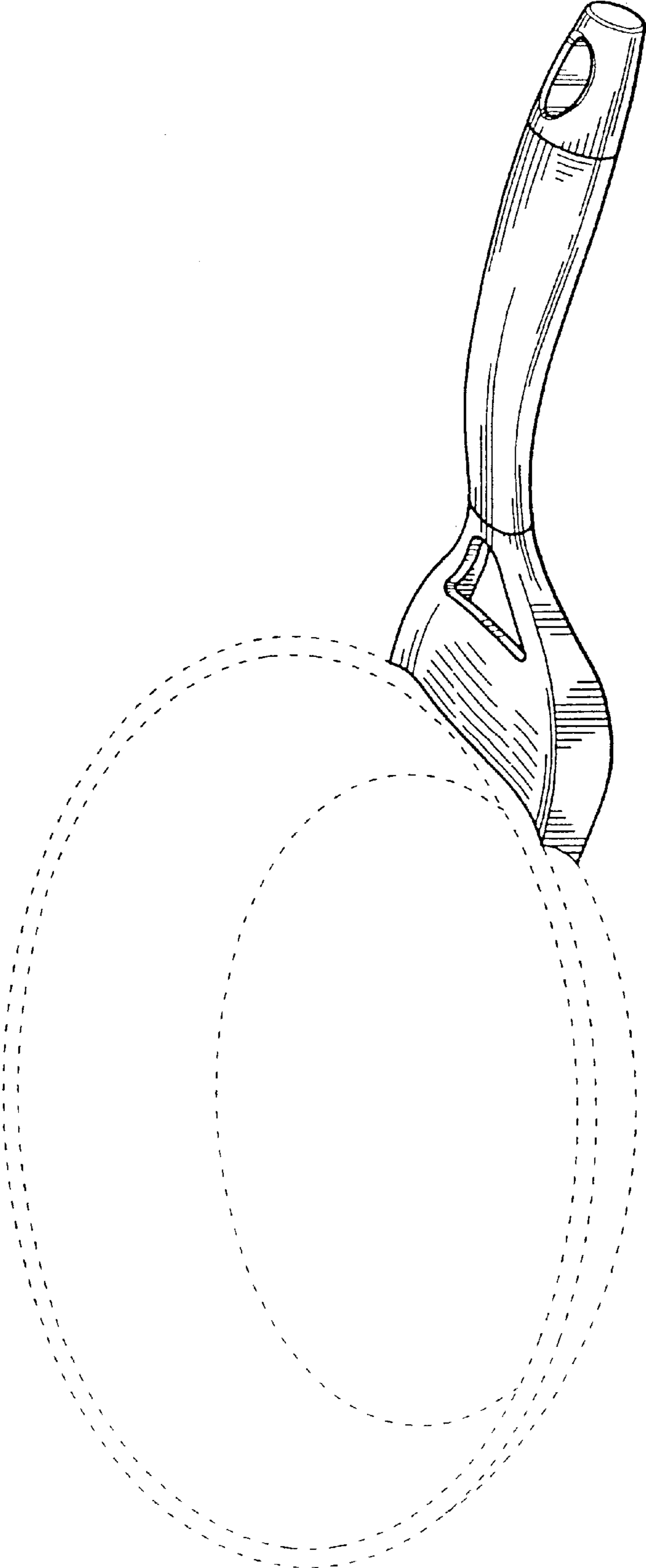


FIG. 17

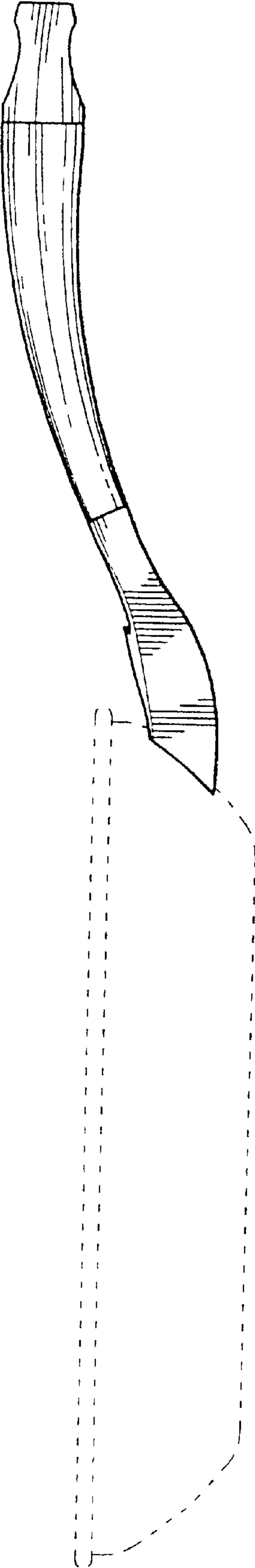


FIG. 18

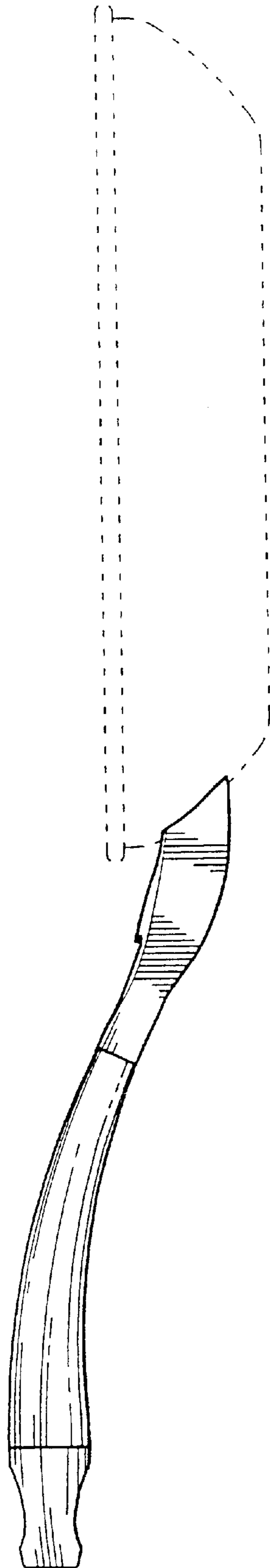


FIG. 19

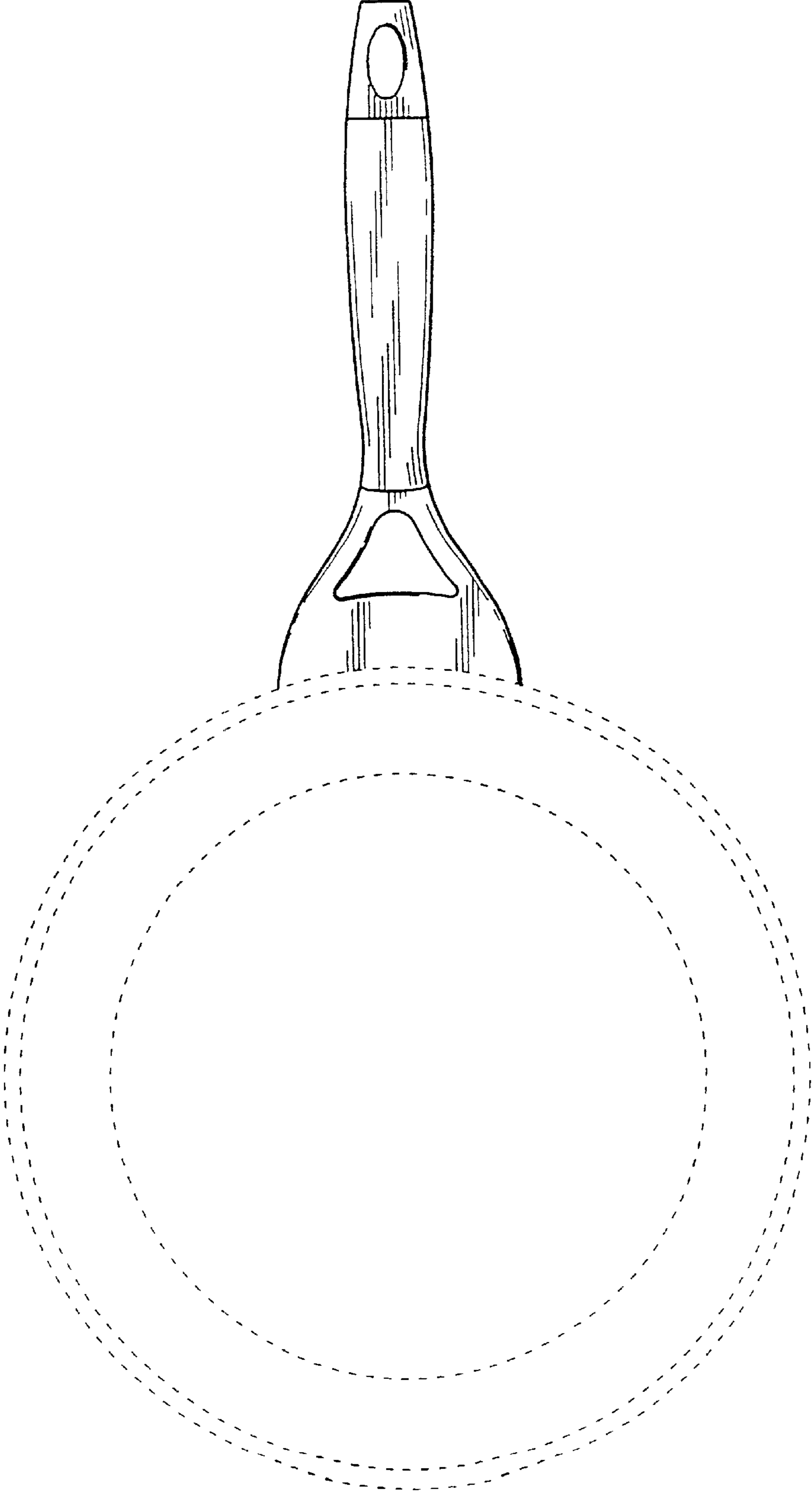


FIG. 20

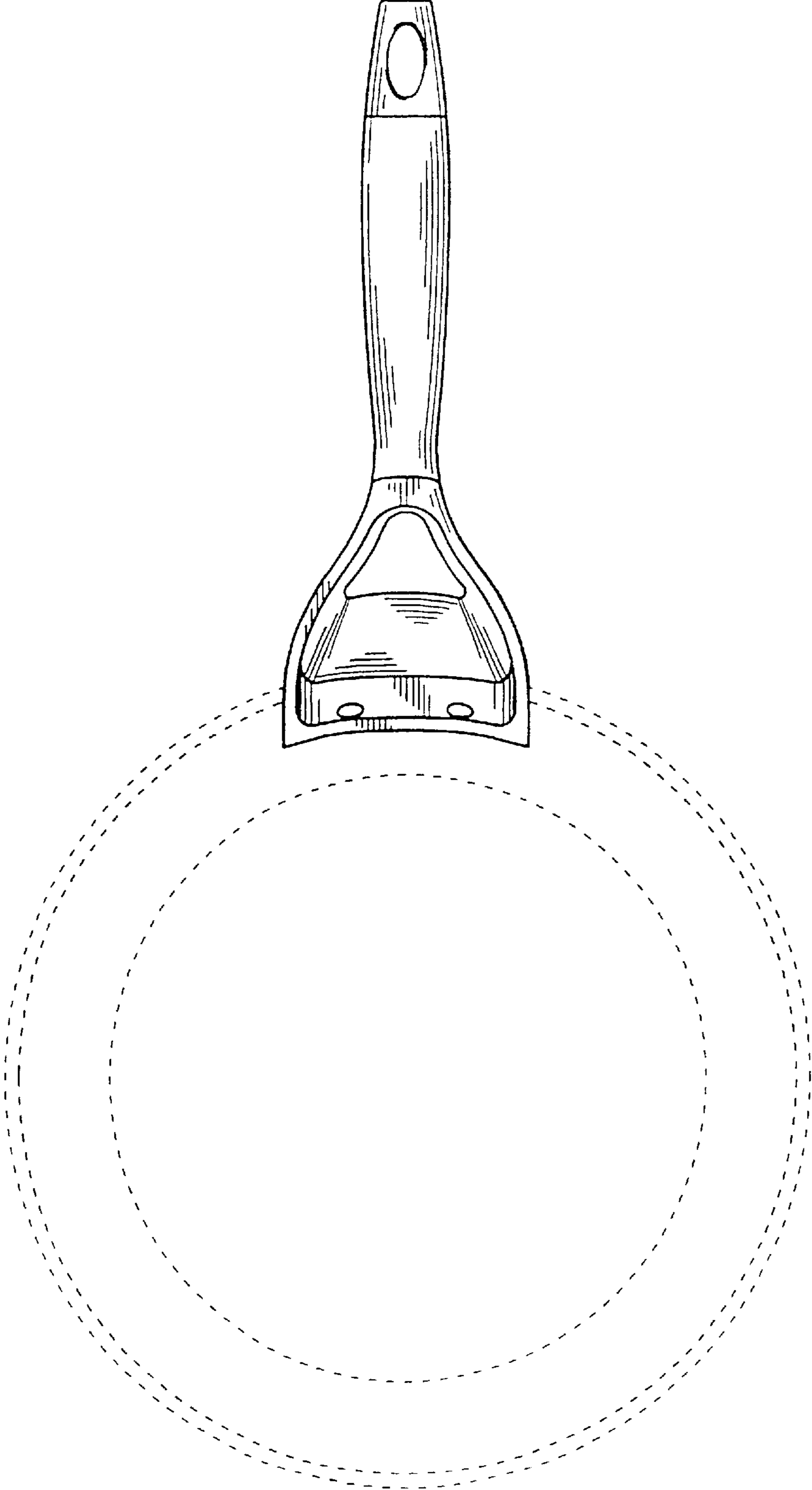


FIG. 21

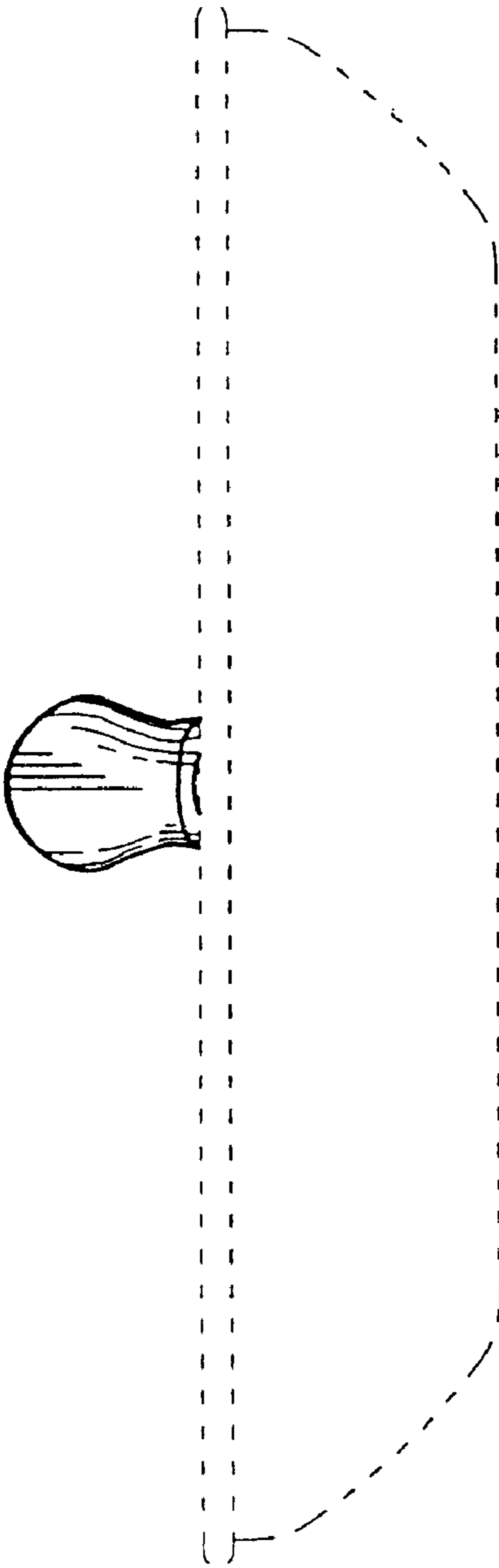


FIG. 22

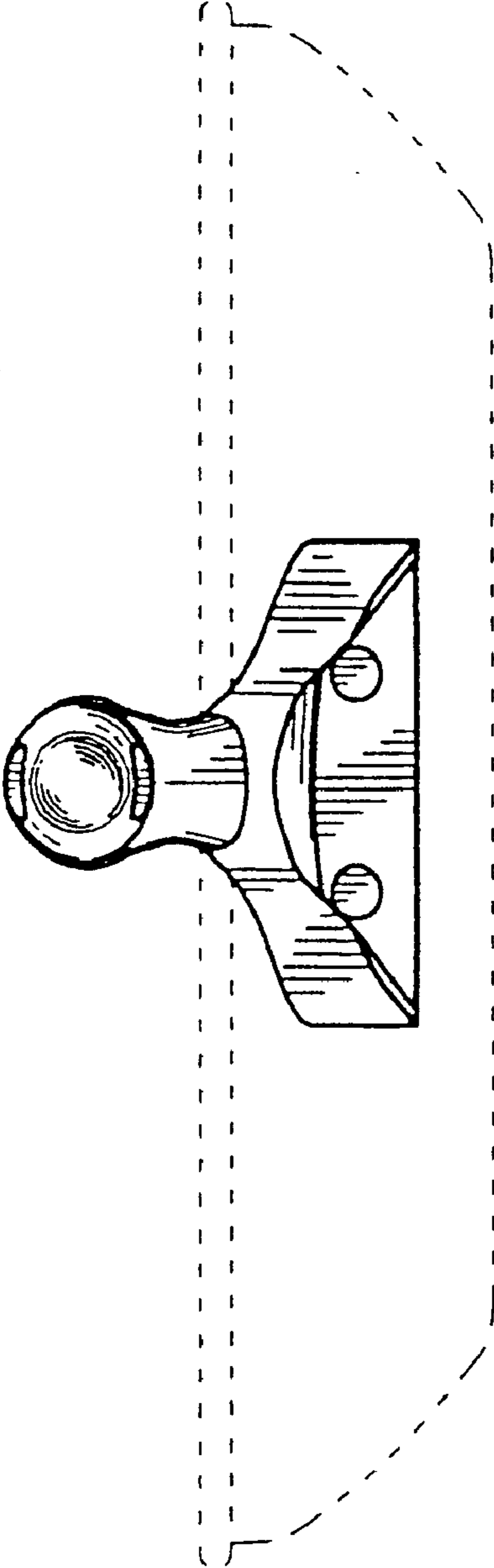


FIG. 23

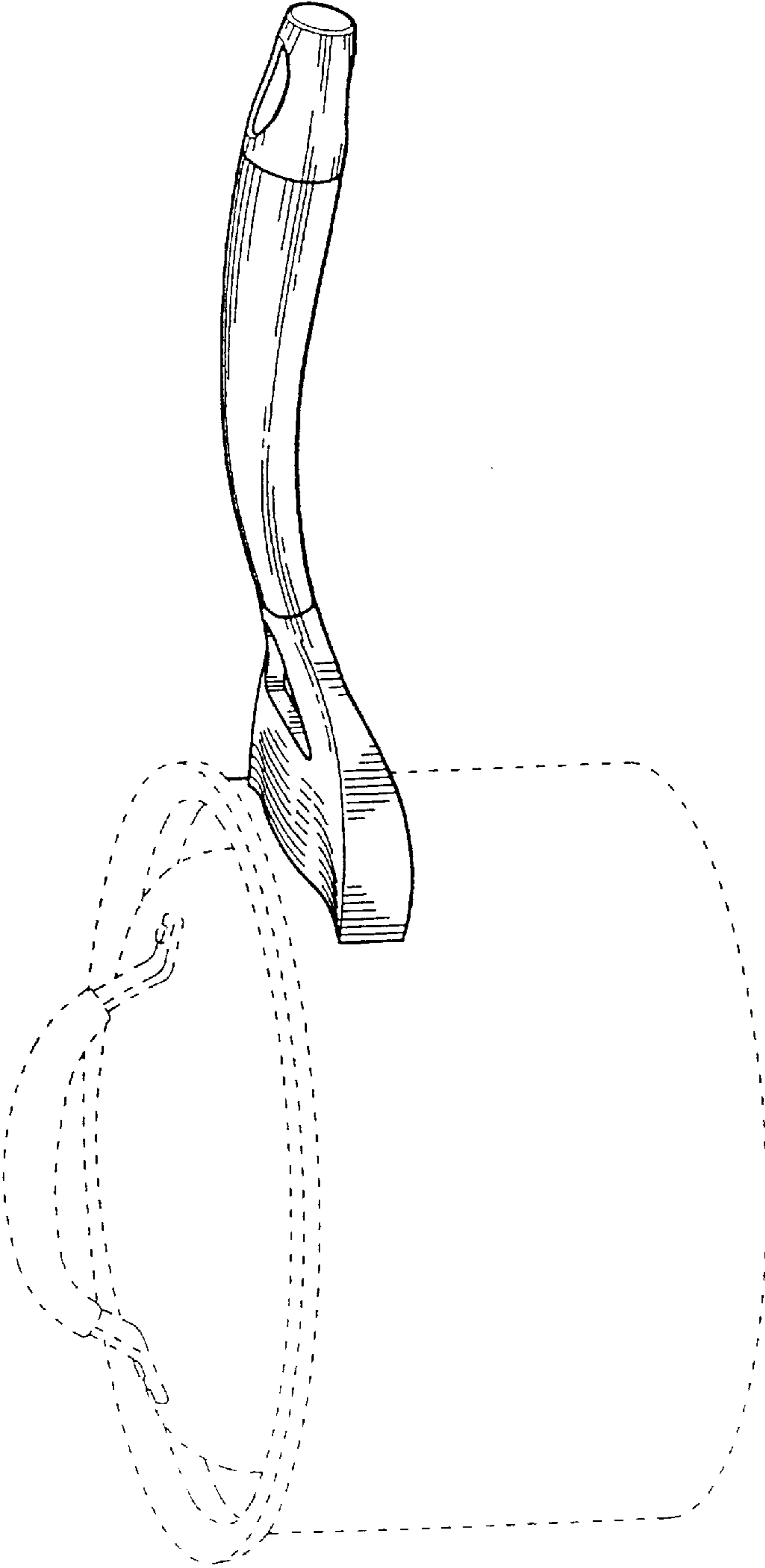


FIG. 24

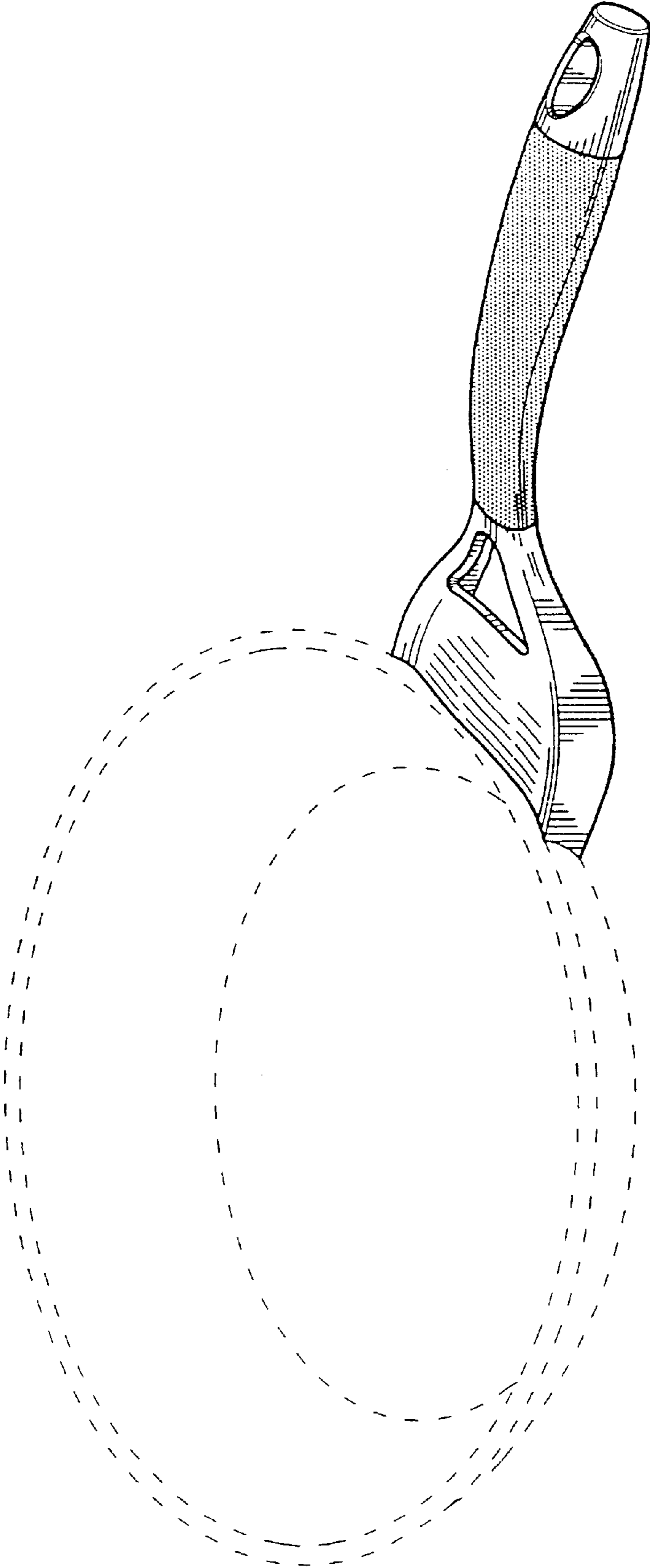


FIG. 25

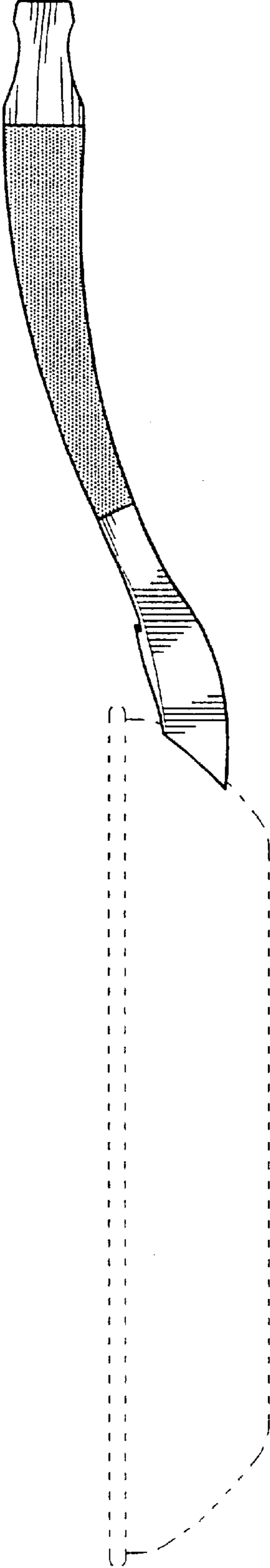


FIG. 26

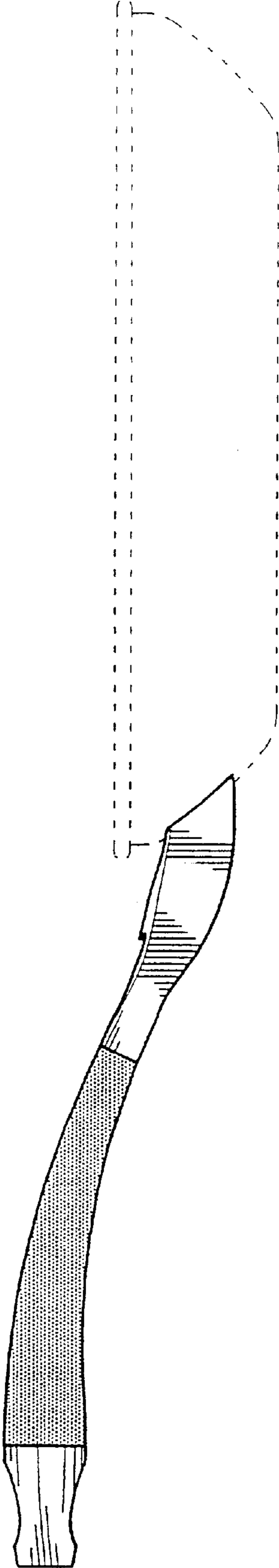


FIG. 27

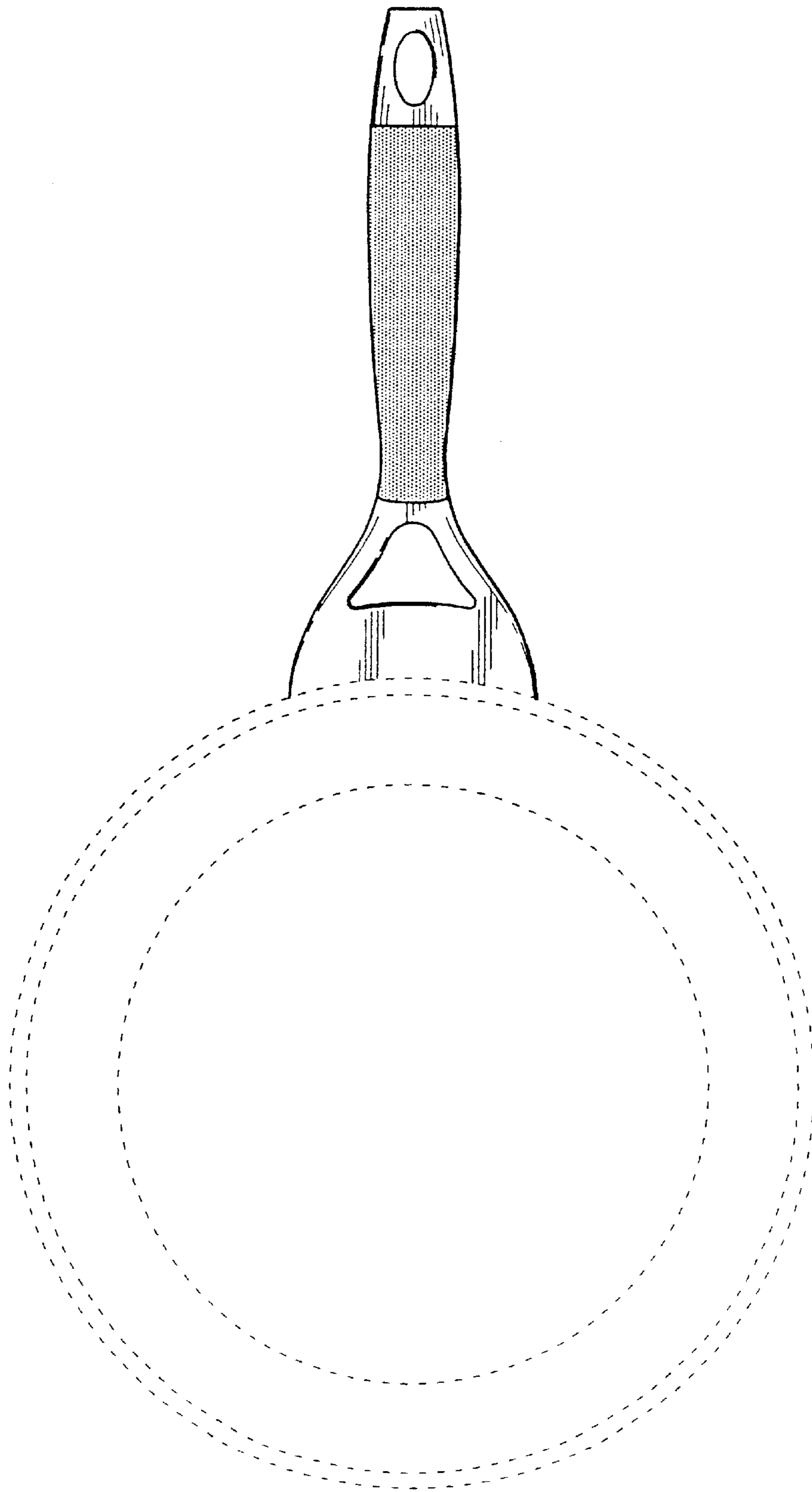


FIG. 28

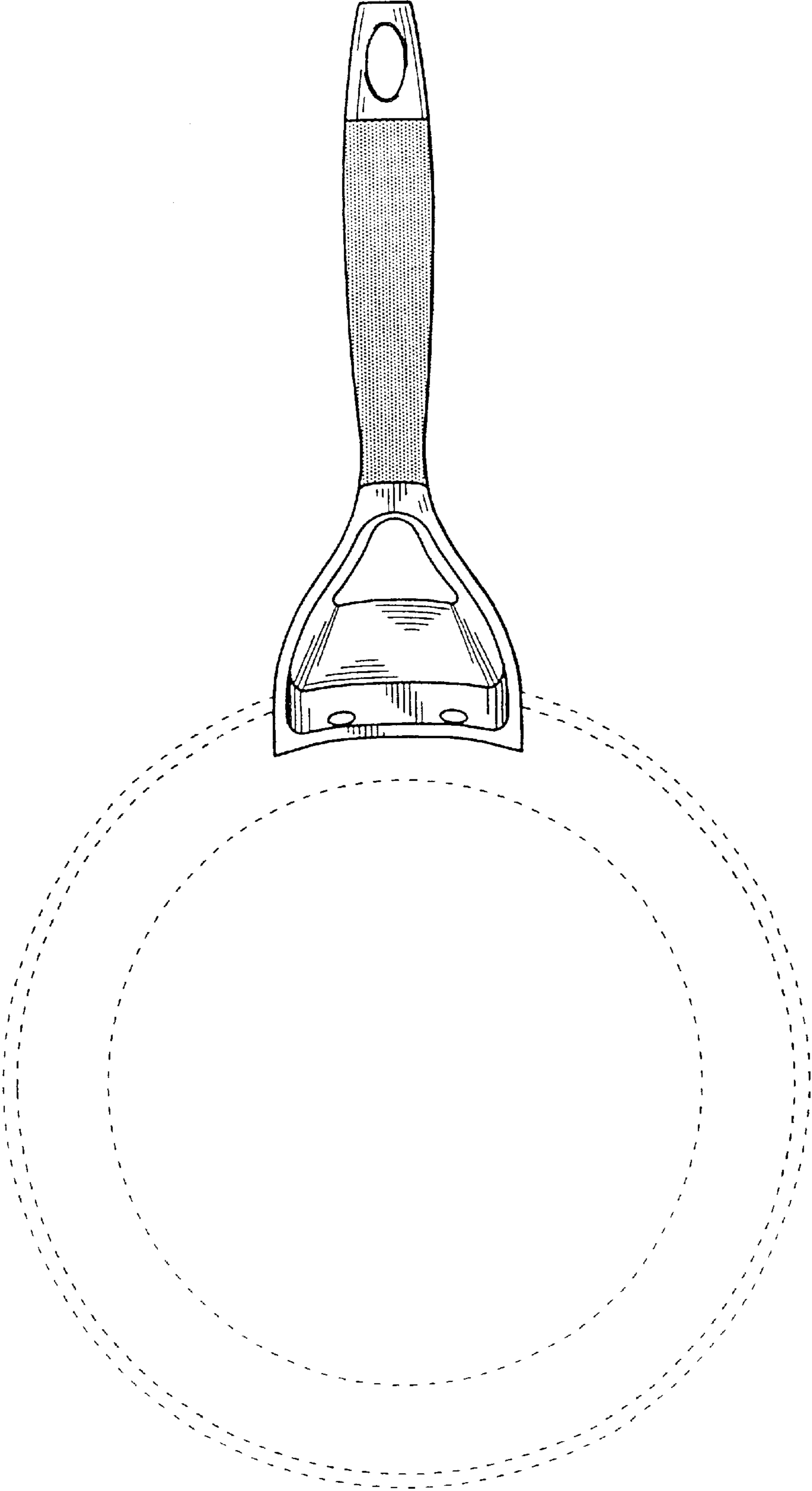


FIG. 29

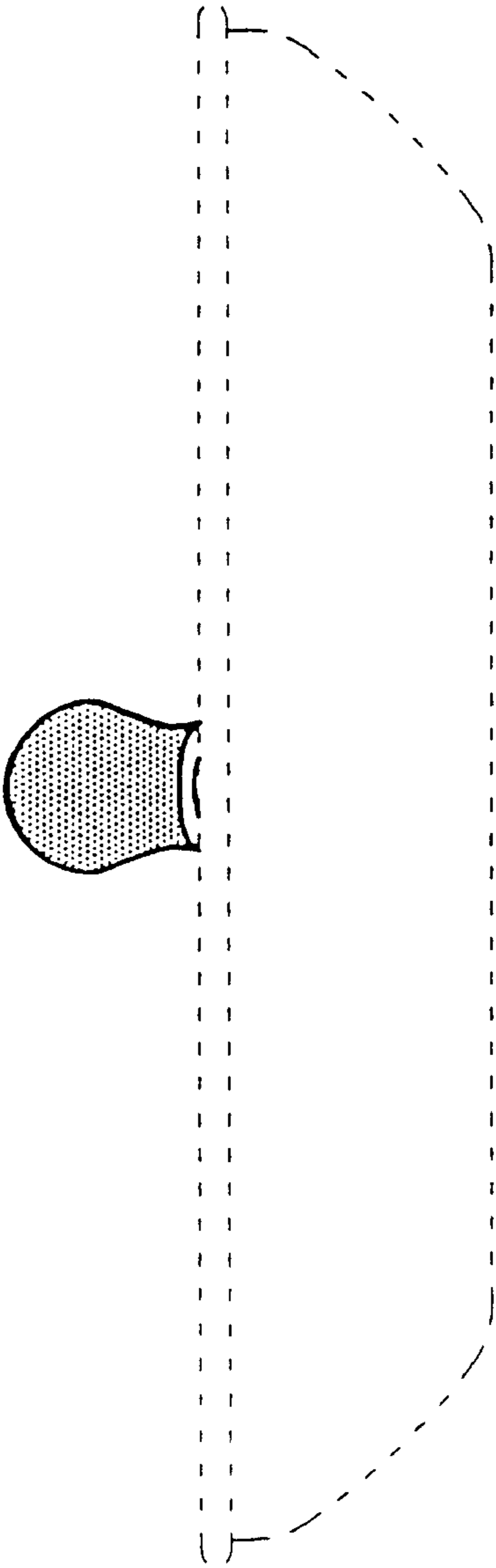


FIG. 30

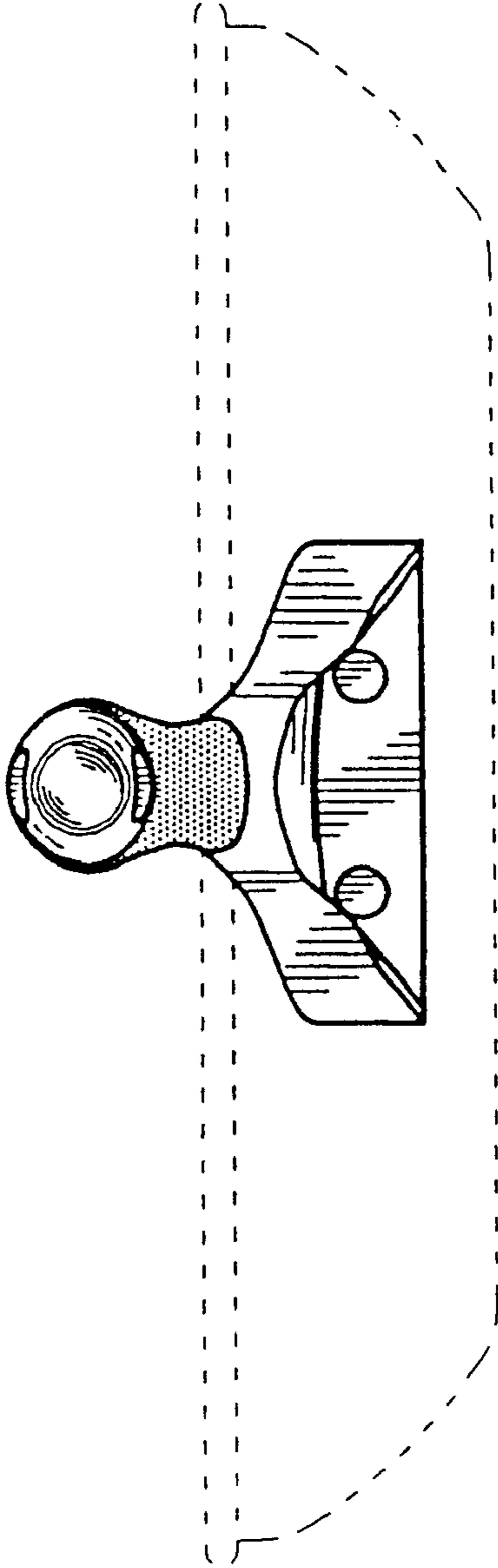


FIG. 31

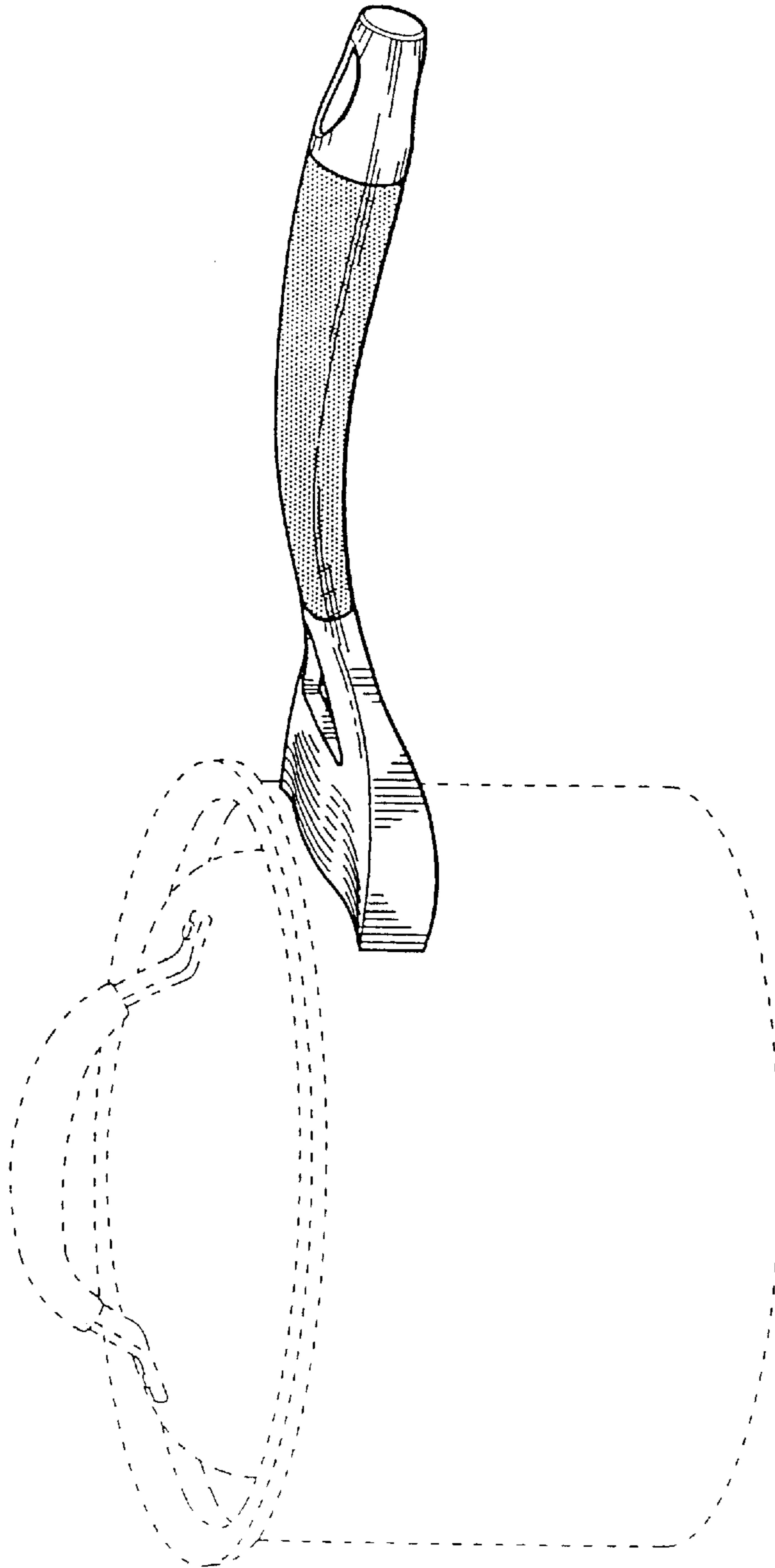


FIG. 32