

US00D501353S

(12) **United States Design Patent**
Rosa et al.

(10) **Patent No.:** **US D501,353 S**
(45) **Date of Patent:** **** Feb. 1, 2005**

(54) **ELECTRIC COFFEE MACHINE**
(75) Inventors: **Carlo Rosa, Lecco (IT); Pier Paolo Barra, Moncalieri (IT); Matteo Tampone, Venaria (IT); Andrea Righetti, Turin (IT)**

D361,691 S * 8/1995 Maass, Jr. D7/309
D441,593 S * 5/2001 Gudefin D7/309
D442,013 S * 5/2001 Trazzi D7/309
D449,200 S * 10/2001 Trazzi D7/309
D449,488 S * 10/2001 Cahen D7/309
D449,489 S * 10/2001 Trazzi D7/309

* cited by examiner

(73) Assignee: **Ariete S.p.A. (IT)**

(**) Term: **14 Years**

Primary Examiner—M. N. Pandozzi

(74) *Attorney, Agent, or Firm*—Stites & Harbison PLLC; Marvin Petry

(21) Appl. No.: **29/205,319**

(22) Filed: **May 13, 2004**

(57) **CLAIM**

The ornamental design for an electric coffee machine, as shown and described.

(30) **Foreign Application Priority Data**

Nov. 17, 2003 (EM) 0000103999

DESCRIPTION

(51) **LOC (7) Cl.** **07-01**
(52) **U.S. Cl.** **D7/309; D7/311**
(58) **Field of Search** D7/300, 309, 310,
D7/311, 306; 99/280, 307, 285, 295, 282;
222/129.1; 219/438, 441

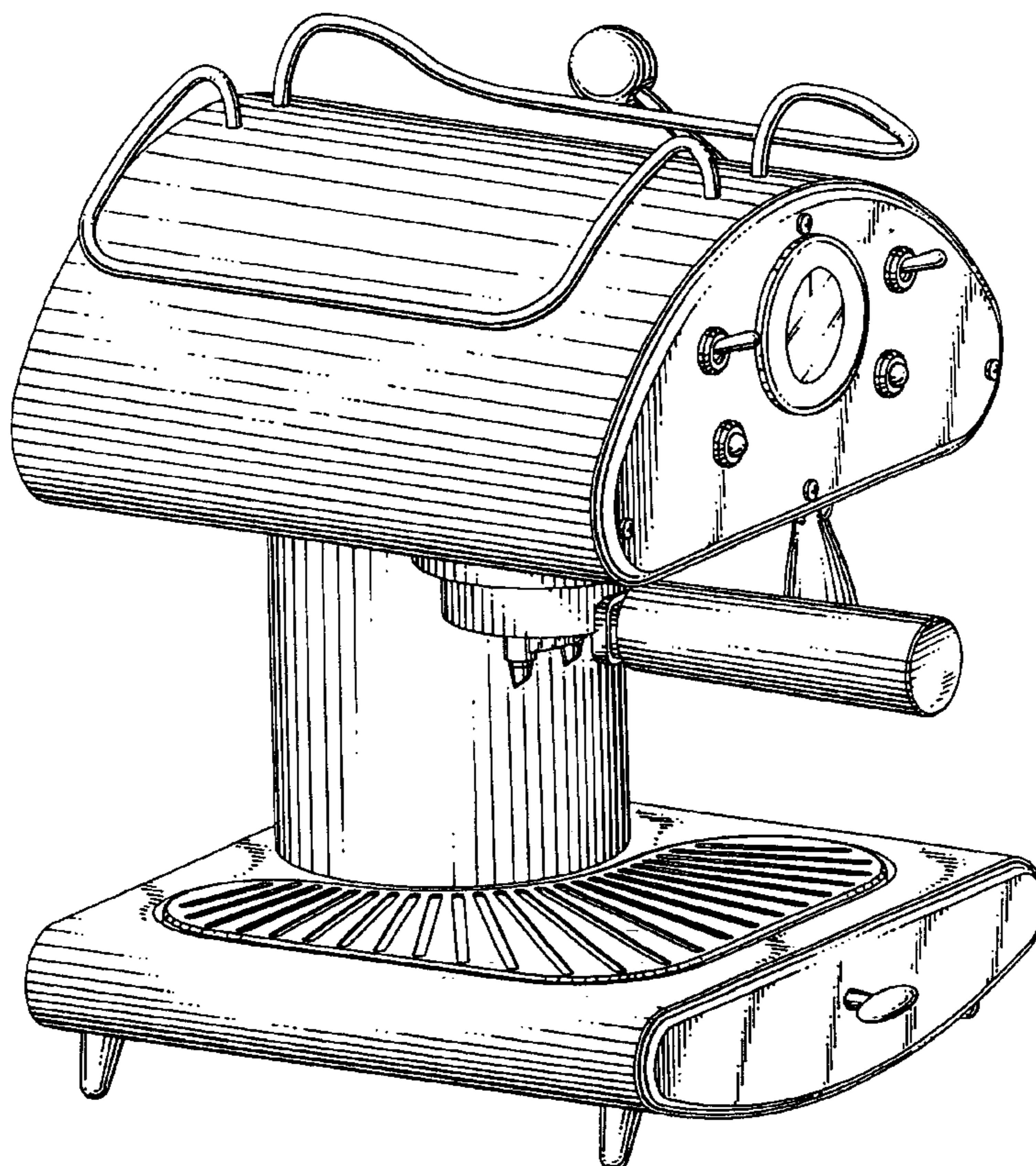
FIG. 1 is a front perspective view of an electric coffee machine showing our new design;
FIG. 2 is a front elevational view thereof;
FIG. 3 is a rear elevational view thereof;
FIG. 4 is a right side elevational view thereof;
FIG. 5 is a left side elevational view thereof;
FIG. 6 is a top plan view thereof; and,
FIG. 7 is a bottom plan view thereof.

(56) **References Cited**

U.S. PATENT DOCUMENTS

D304,408 S * 11/1989 Beeren D7/309
D324,621 S * 3/1992 Haslacher D7/309

1 Claim, 7 Drawing Sheets



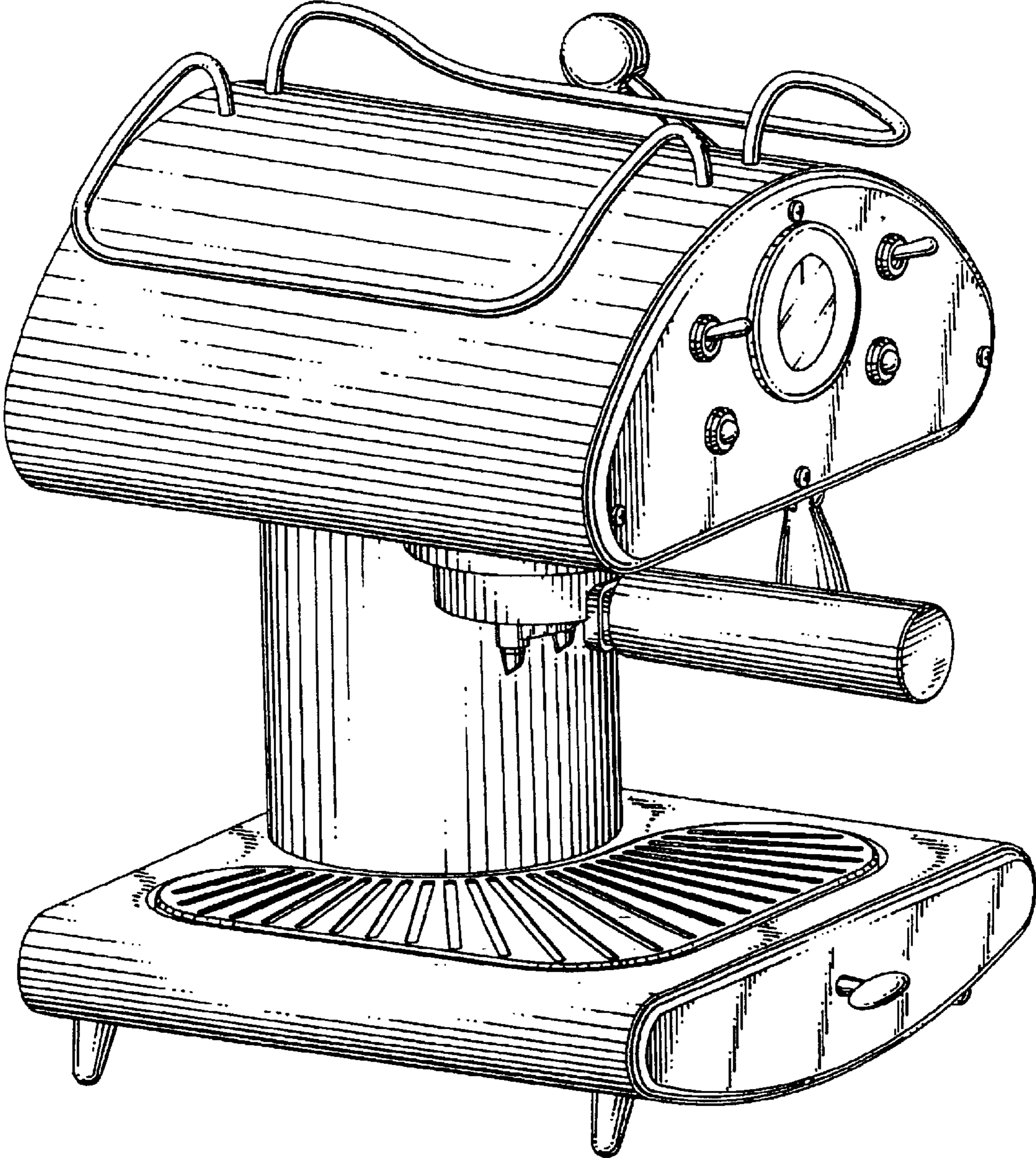


FIG 1

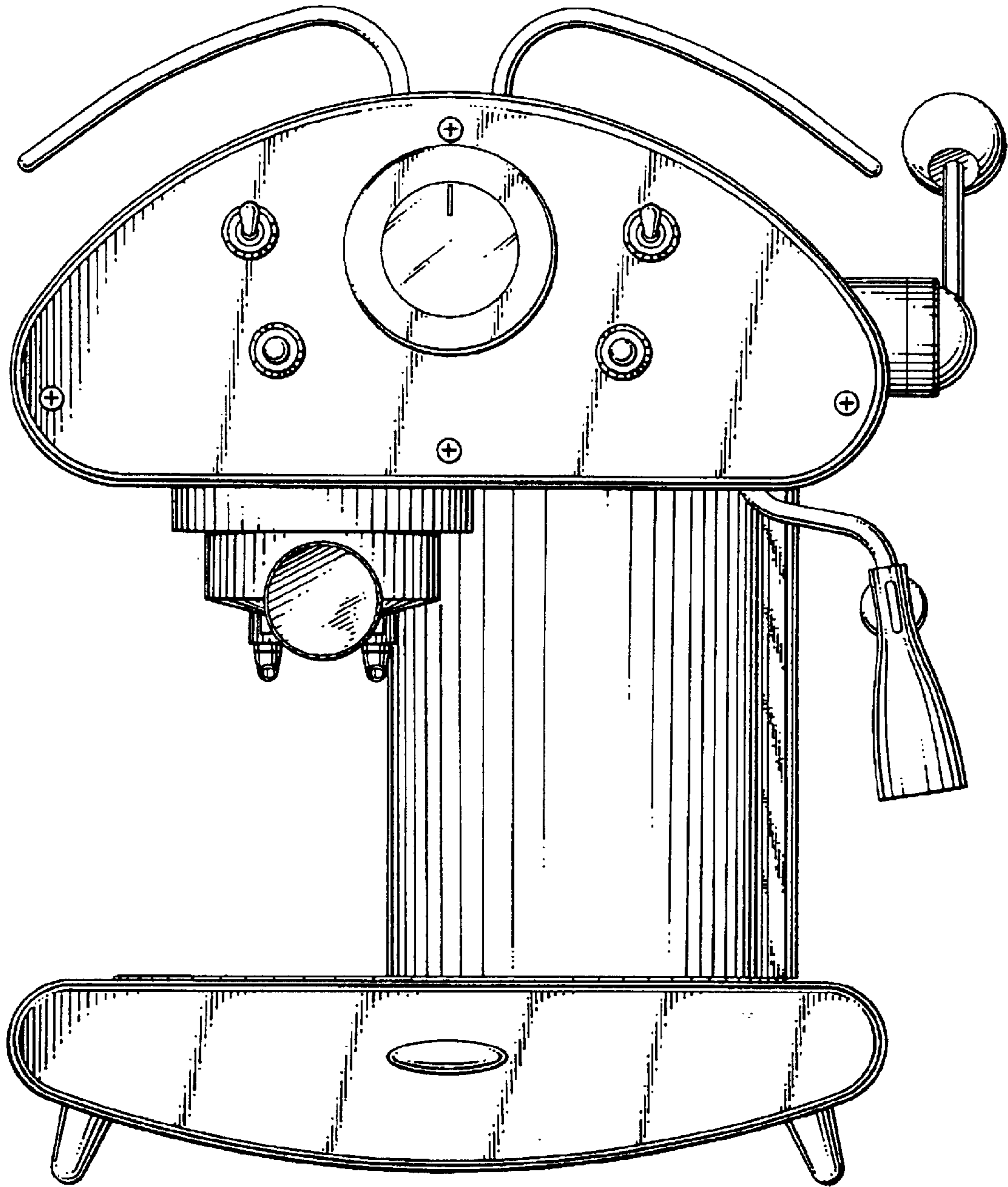


Fig. 2

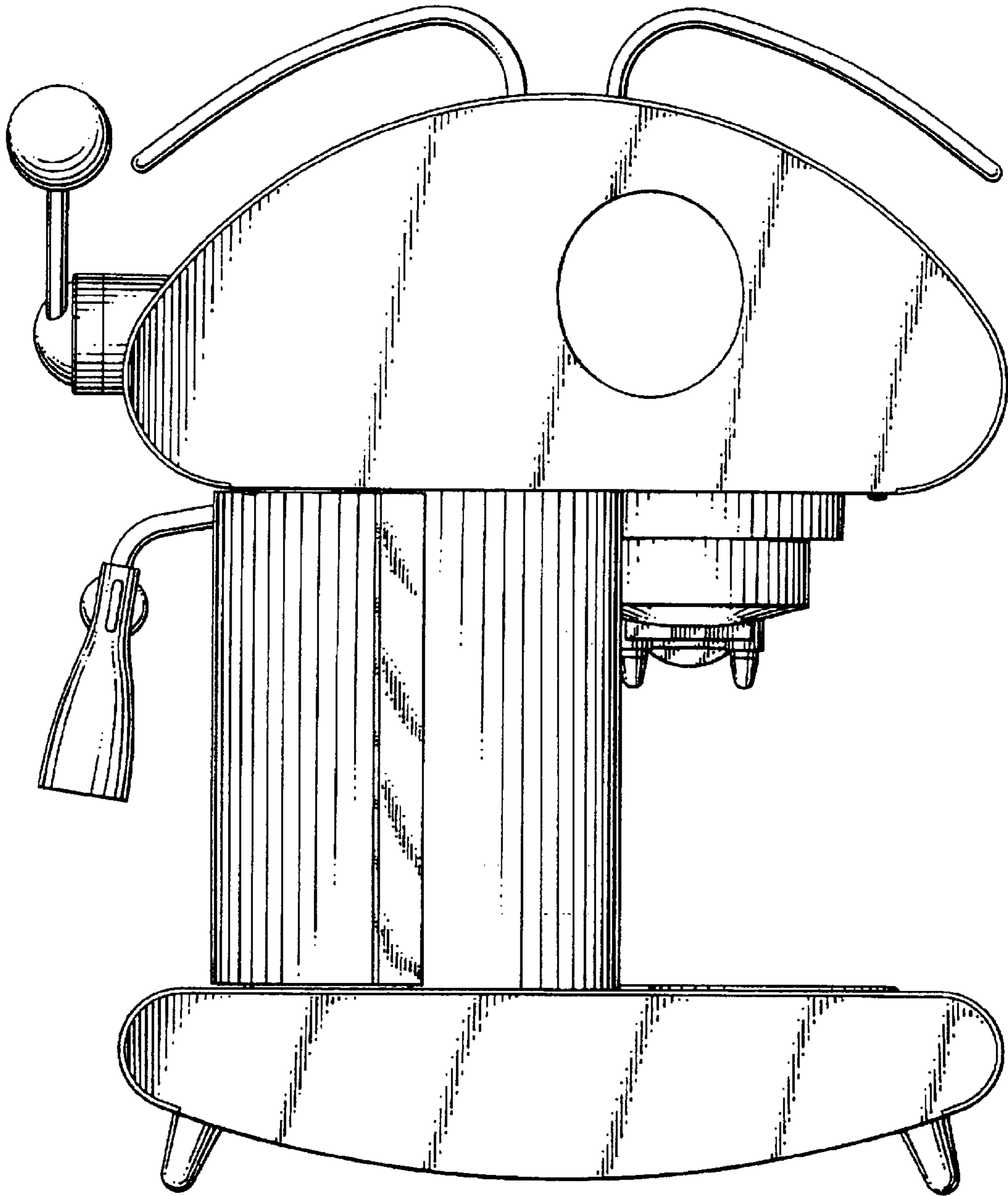


FIG. 3

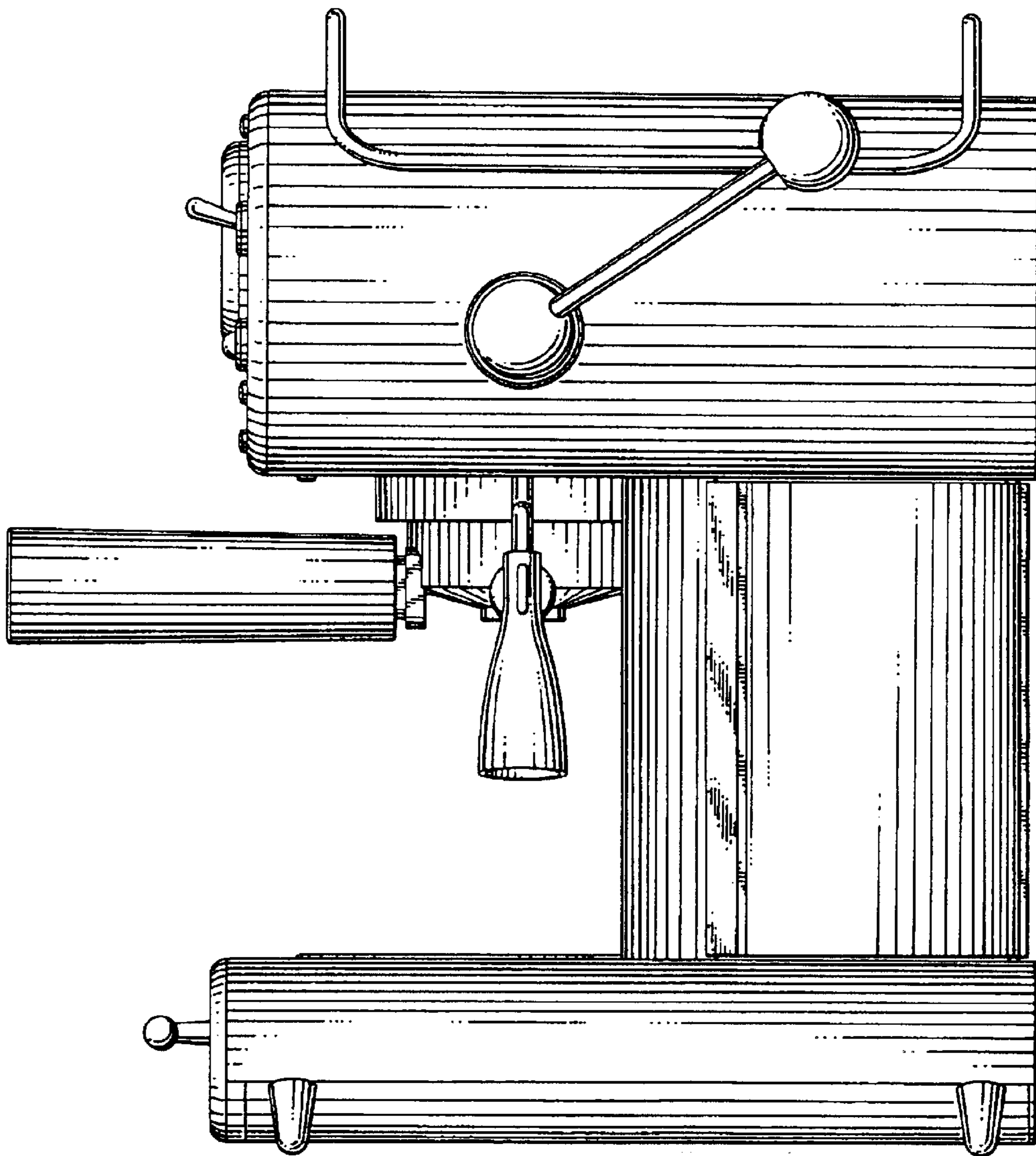


FIG. 4

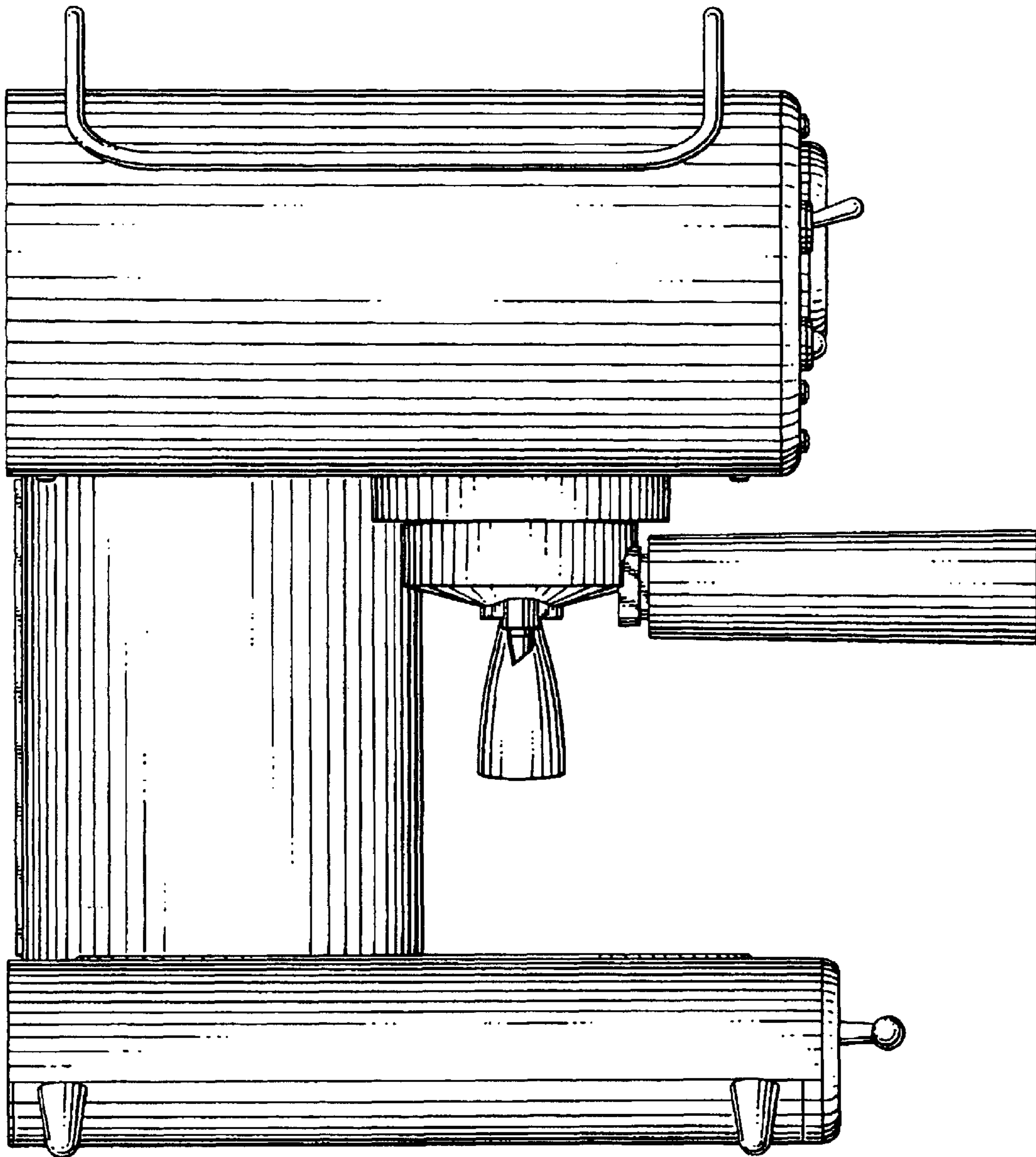
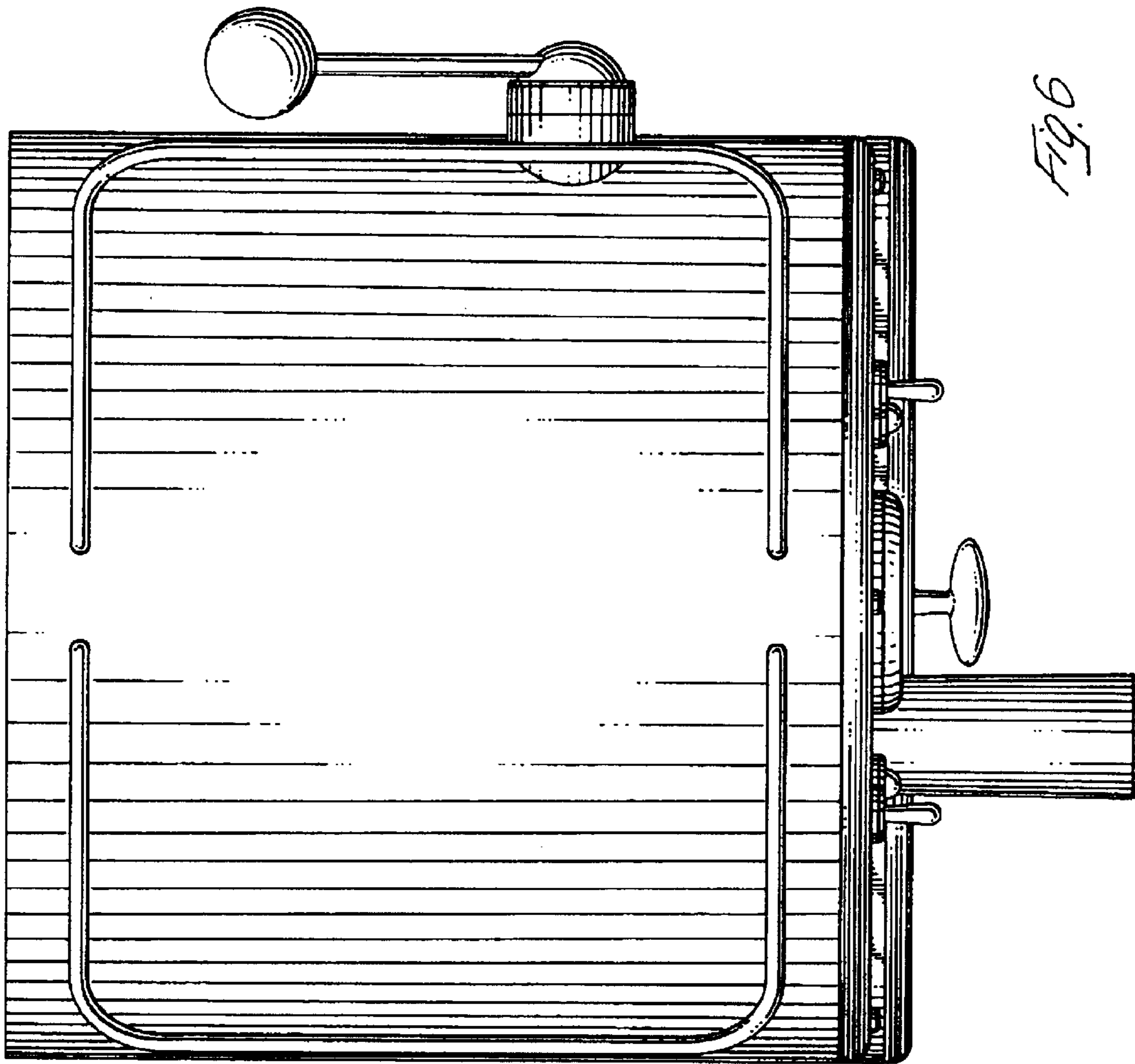


Fig. 5



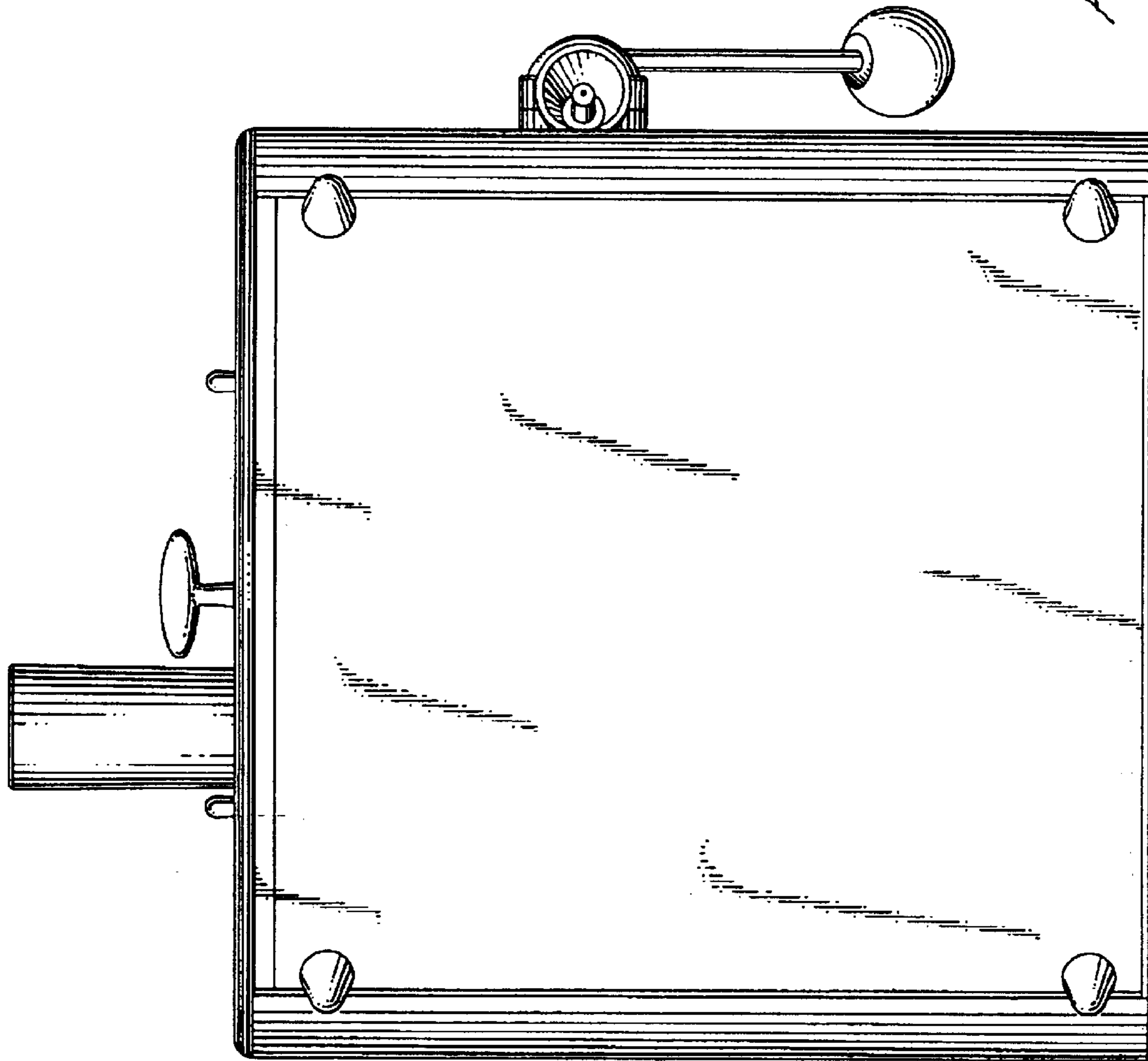


FIG. 7