



US00D501344S

(12) **United States Design Patent** (10) **Patent No.:** **US D501,344 S**
Miesieski et al. (45) **Date of Patent:** **** Feb. 1, 2005**

(54) **BASEBALL HELMET BEER DISPENSER**

(75) Inventors: **Brian Miesieski**, Stamford, CT (US);
Devin Kelly, Norwalk, CT (US); **Geoff
Blanck**, Fairfield, CT (US)

(73) Assignee: **Labatt Brewing Company Limited**,
London (CA)

(**) Term: **14 Years**

(21) Appl. No.: **29/200,959**

(22) Filed: **Mar. 9, 2004**

(51) **LOC (7) Cl.** **06-04**

(52) **U.S. Cl.** **D6/515; D6/408; D6/450**

(58) **Field of Search** D6/397, 408, 440,
D6/449, 450, 466, 475, 478, 515; 211/13.1,
15, 22, 27, 71.01, 74, 133.1; 2/410, 420,
425; D29/103, 105, 106; 221/241, 252,
281; D2/869; D8/38; D14/232; D21/659

(56) **References Cited**

U.S. PATENT DOCUMENTS

D186,759 S	*	12/1959	Crick, Jr.	D29/105
D188,368 S	*	7/1960	Hale	D29/105
D230,103 S	*	1/1974	Hyatt, Jr.	D29/105
D291,392 S	*	8/1987	Worthen	D6/440

4,852,767 A	*	8/1989	Humphrey	221/241
D385,662 S	*	10/1997	Paglucci et al.	D29/105
D402,414 S	*	12/1998	Smith	D29/106
6,722,526 B1	*	4/2004	Passetti	221/281
D491,316 S	*	6/2004	Udelhofen et al.	D29/106
2002/0185498 A1	*	12/2002	Riordan et al.	221/281

* cited by examiner

Primary Examiner—Stacia Cadmus

Assistant Examiner—Mimosa De

(74) *Attorney, Agent, or Firm*—Levy & Grandinetti

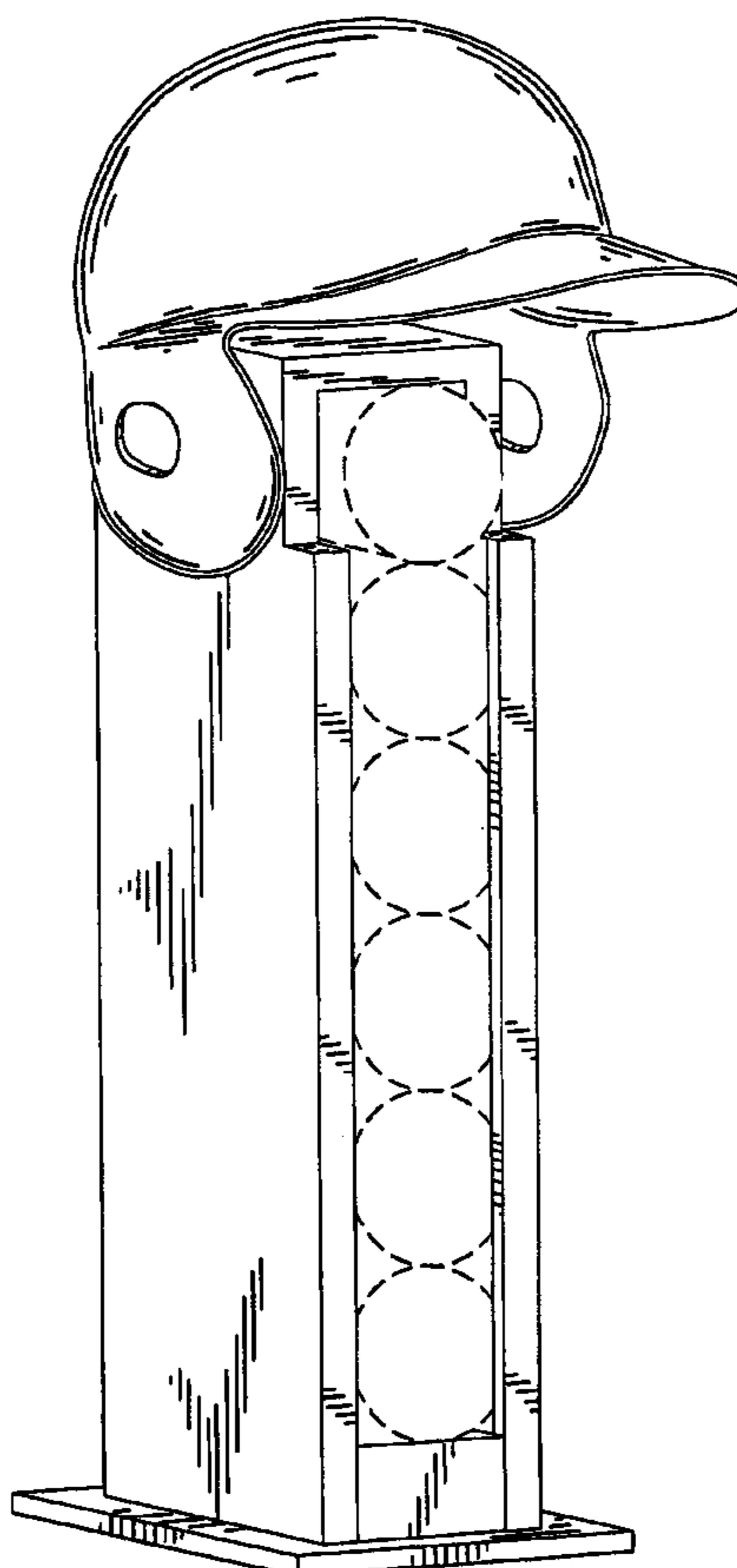
(57) **CLAIM**

The ornamental design for a baseball helmet beer dispenser,
as shown and described.

DESCRIPTION

FIG. 1 is a front perspective view of a baseball helmet beer dispenser showing our new design;
 FIG. 2 is a front view thereof;
 FIG. 3 is a rear view thereof;
 FIG. 4 is a right hand side view thereof wherein the left hand side view is identical;
 FIG. 5 is a top view thereof; and,
 FIG. 6 is a bottom view thereof.
 The broken line shown in FIGS. 1, 2 and 4 is for illustrative purposes only and forms no part of the claimed design.

1 Claim, 4 Drawing Sheets



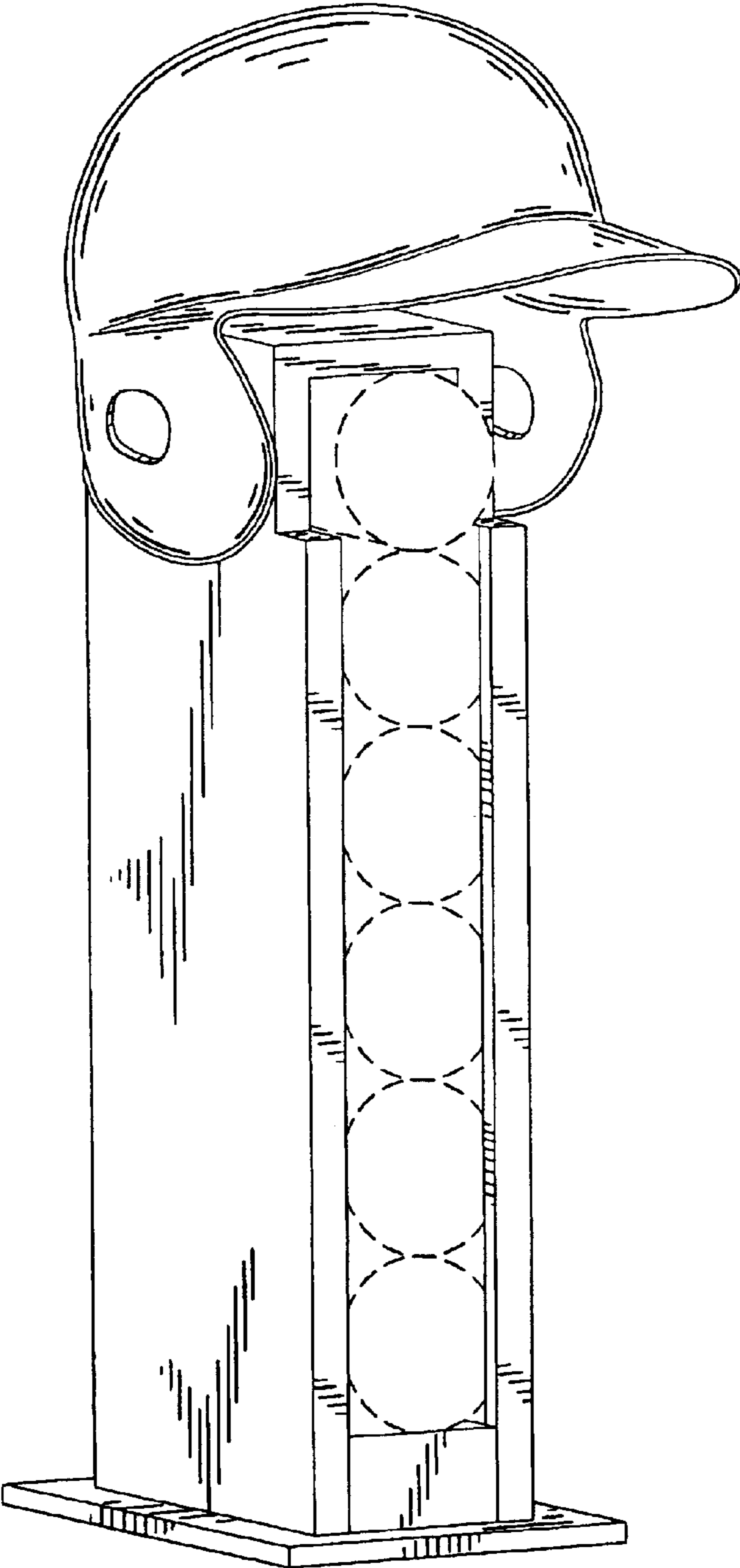


FIG. 1

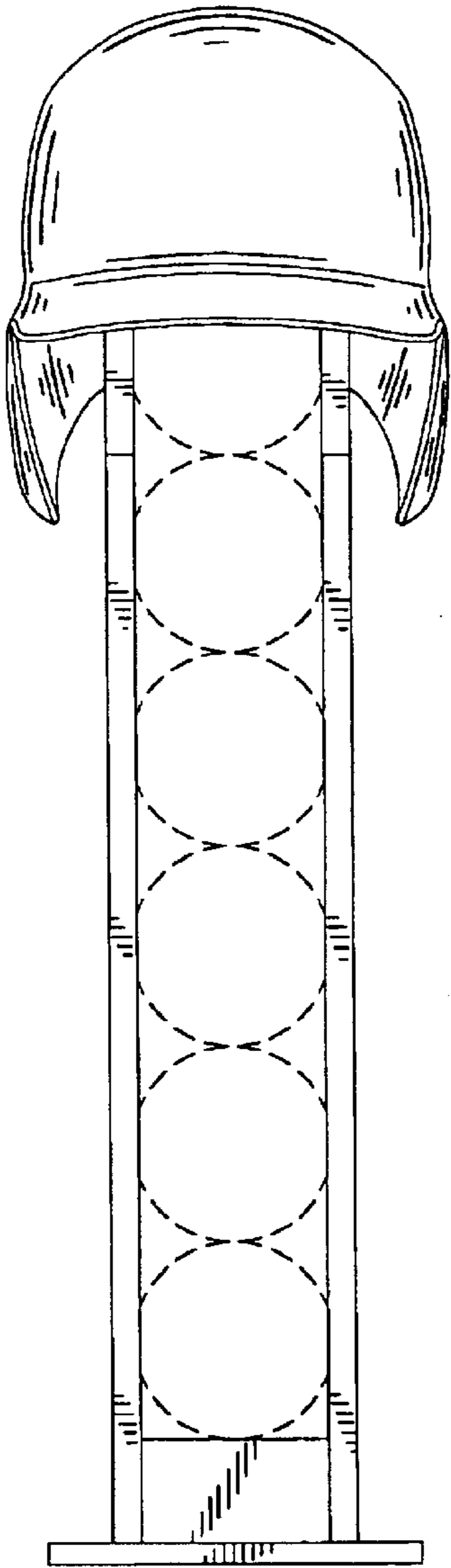


FIG. 2

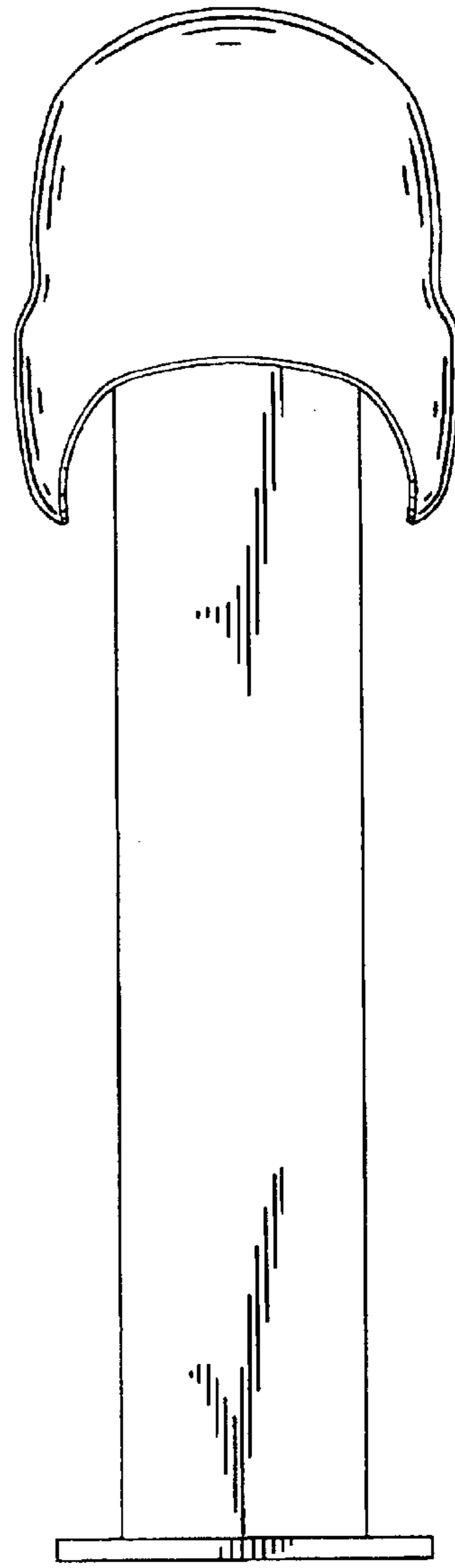


FIG. 3

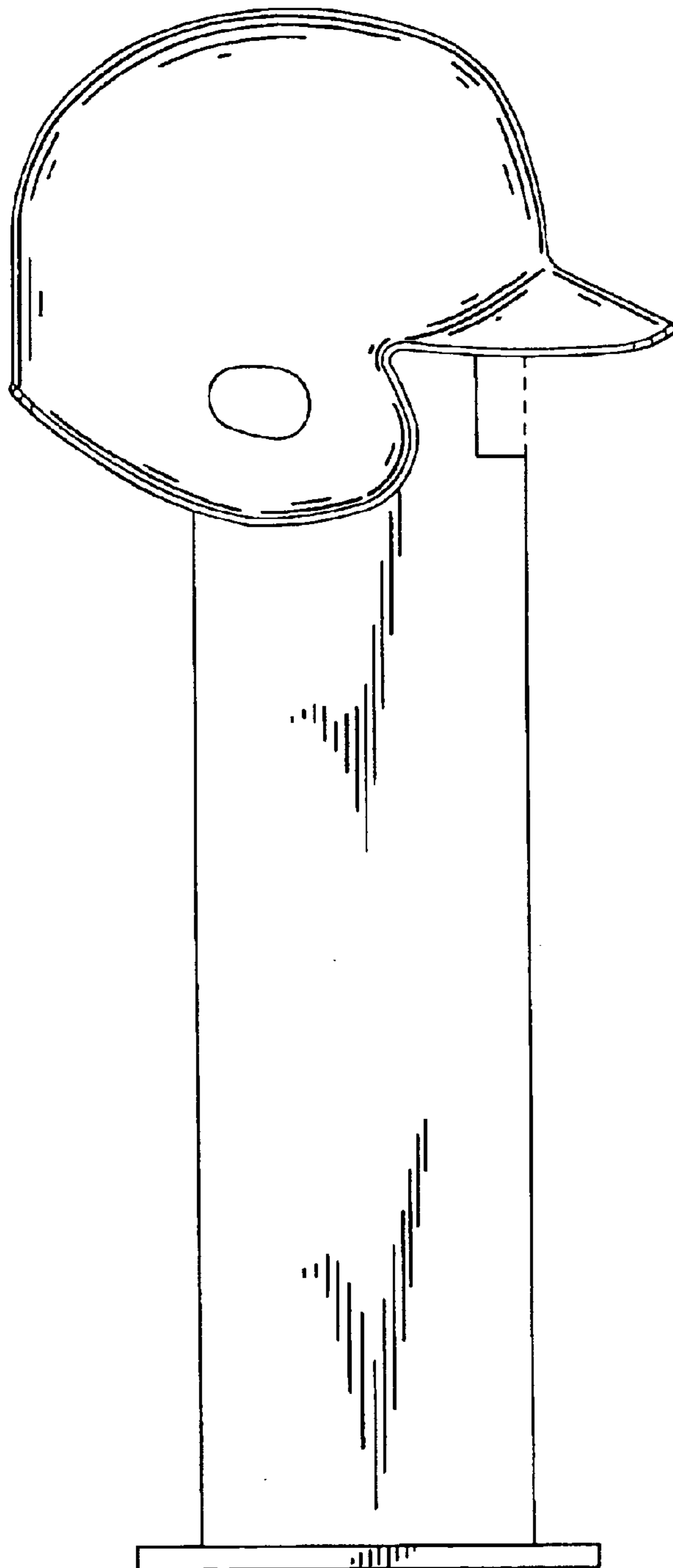


FIG. 4

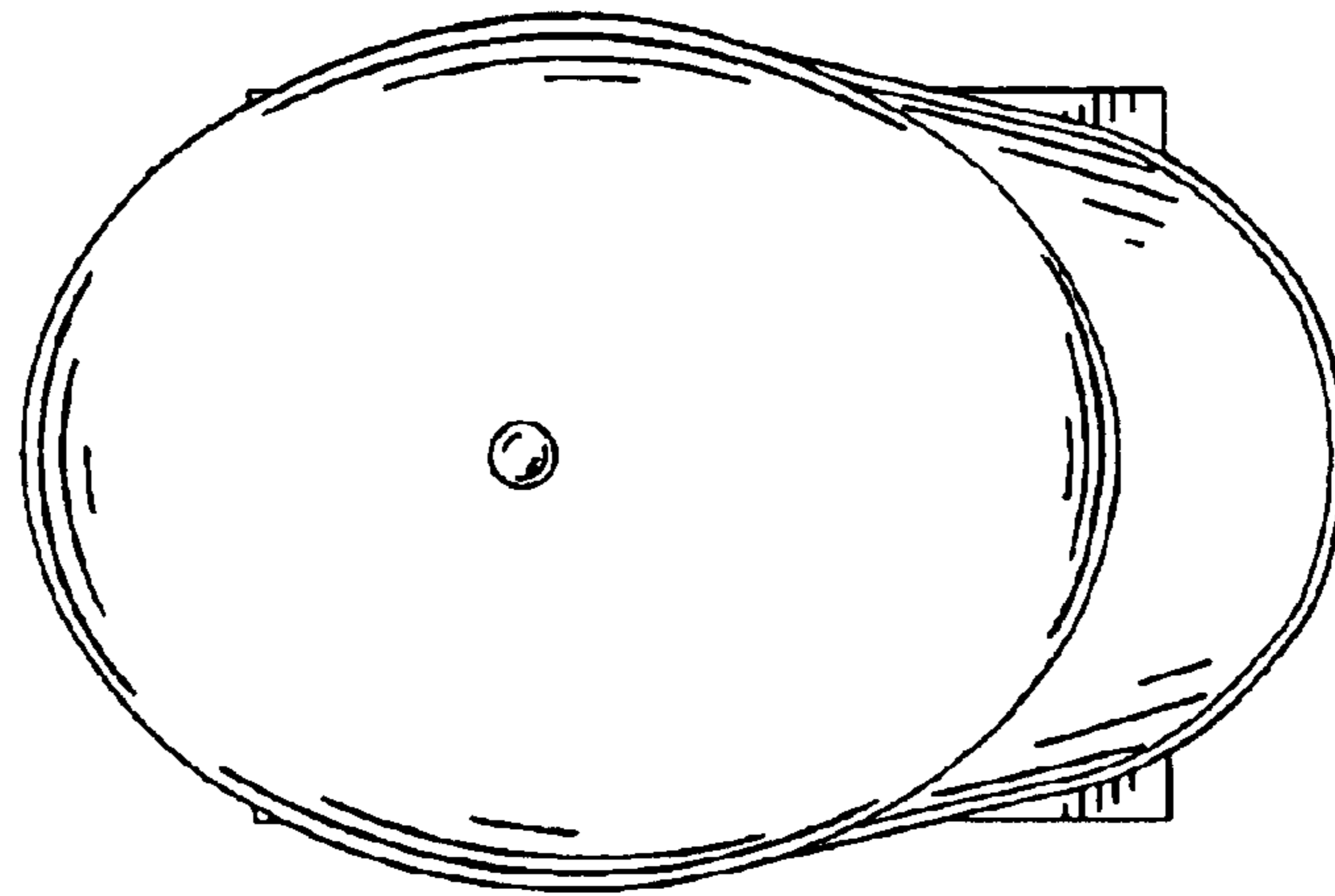


FIG. 5

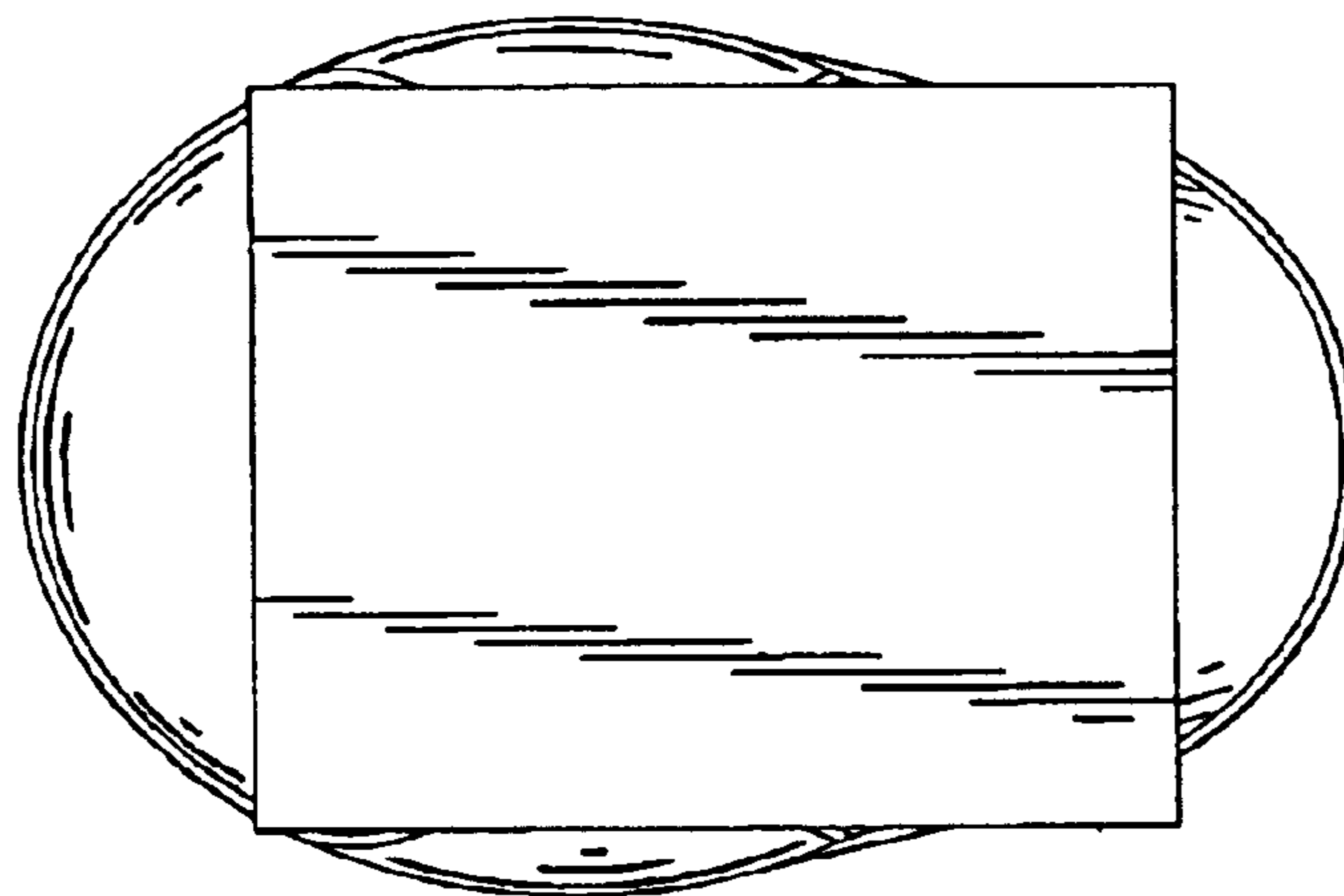


FIG. 6