

US00D501342S

(12) **United States Design Patent** (10) **Patent No.:** **US D501,342 S**
Miesieski et al. (45) **Date of Patent:** **** Feb. 1, 2005**

(54) **HOCKEY HELMET BEER DISPENSER**

(75) Inventors: **Brian Miesieski**, Stamford, CT (US);
Devin Kelly, Norwalk, CT (US); **Geoff
Blanck**, Fairfield, CT (US)

(73) Assignee: **Labatt Brewing Company Limited**,
London (GB)

(**) Term: **14 Years**

(21) Appl. No.: **29/200,957**

(22) Filed: **Mar. 9, 2004**

(51) **LOC (7) Cl.** **06-04**

(52) **U.S. Cl.** **D6/515; D6/450; D6/408**

(58) **Field of Search** D6/397, 408, 440,
D6/449, 450, 466, 475, 478, 515; 211/13.1,
15, 22, 27, 71.01, 74, 133.1; 2/410, 420;
D29/103, 105, 106; 221/241, 252, 281;
D2/869

(56) **References Cited**

U.S. PATENT DOCUMENTS

D291,392 S	*	8/1987	Worthen	D6/440
D295,902 S	*	5/1988	Foulkes	D29/106
4,852,767 A	*	8/1989	Humphrey	221/241
D364,264 S	*	11/1995	Sheer	D2/869

D371,638 S	*	7/1996	Hoshizaki et al.	D29/106
D378,624 S	*	3/1997	Chartrand	D29/106
D401,018 S	*	11/1998	Chartrand	D29/106
D412,766 S	*	8/1999	Tang	D29/106
6,722,526 B1	*	4/2004	Passetti	221/281
2002/0185498 A1	*	12/2002	Riordan et al.	221/281

* cited by examiner

Primary Examiner—Stacia Cadmus

Assistant Examiner—Mimosa De

(74) *Attorney, Agent, or Firm*—Levy & Grandinetti

(57) **CLAIM**

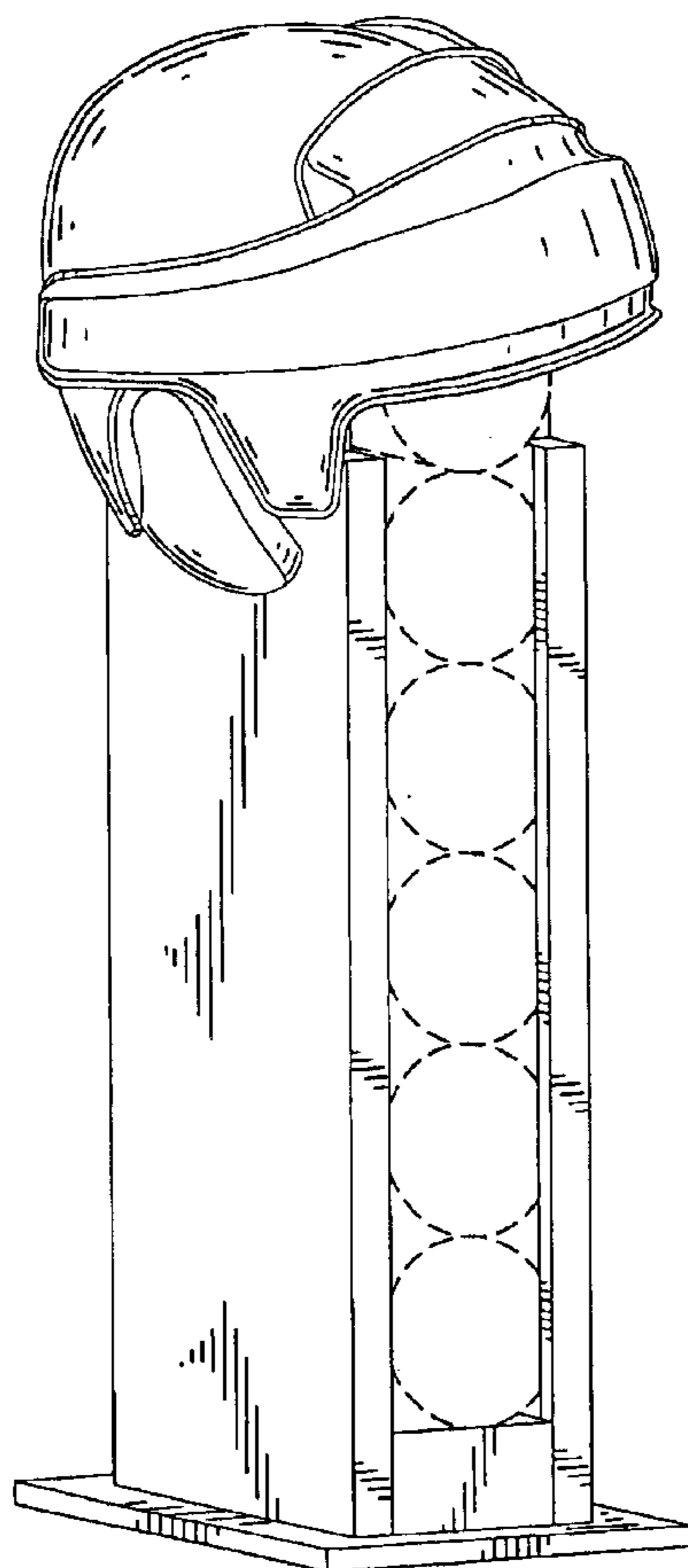
The ornamental design for a hockey helmet beer dispenser,
as shown and described.

DESCRIPTION

FIG. 1 is a front perspective view of a hockey helmet beer dispenser showing our new design;
 FIG. 2 is a front view thereof;
 FIG. 3 is a rear view thereof;
 FIG. 4 is a right hand side view thereof wherein the left hand side view is identical;
 FIG. 5 is a top view thereof; and,
 FIG. 6 is a bottom view thereof.

The broken line shown in FIGS. 1 and 2 is for illustrative purposes only and forms no part of the claimed design.

1 Claim, 4 Drawing Sheets



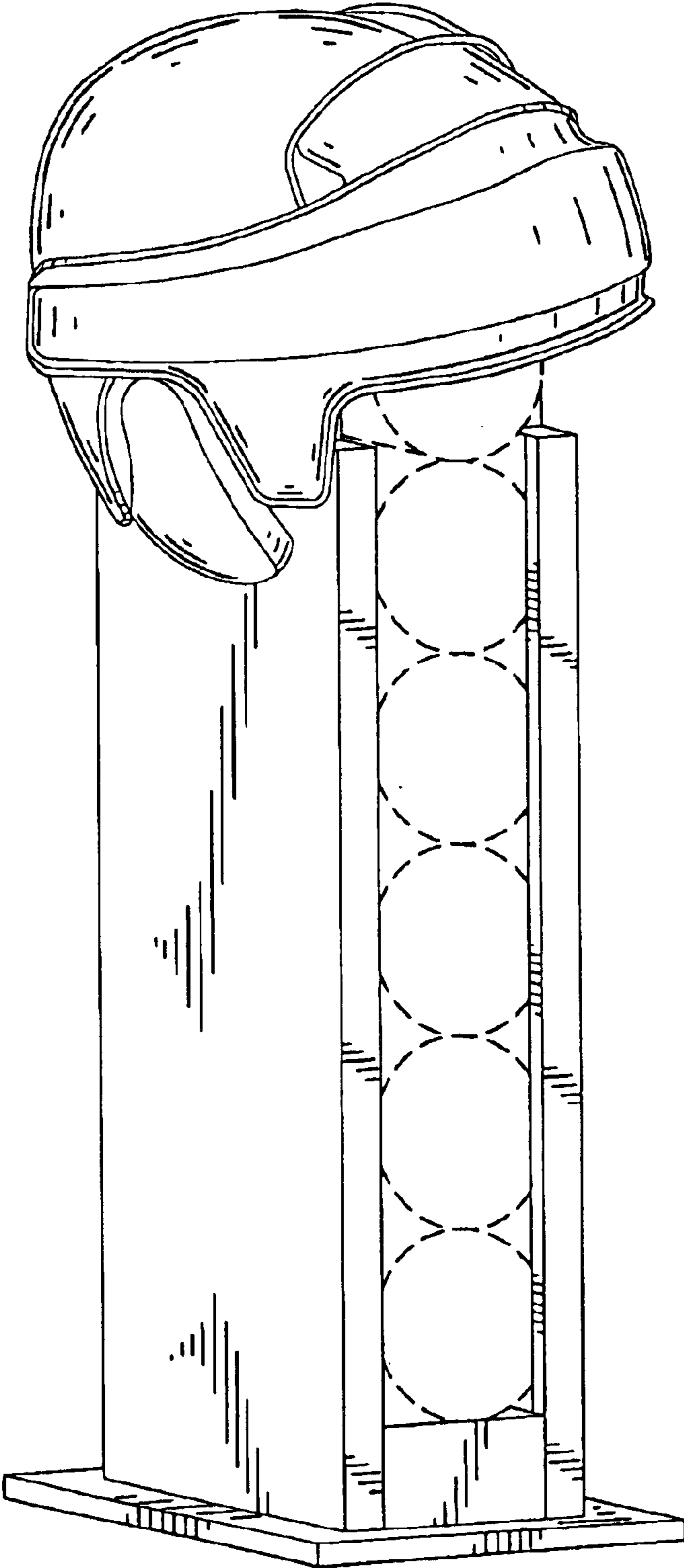


FIG. 1

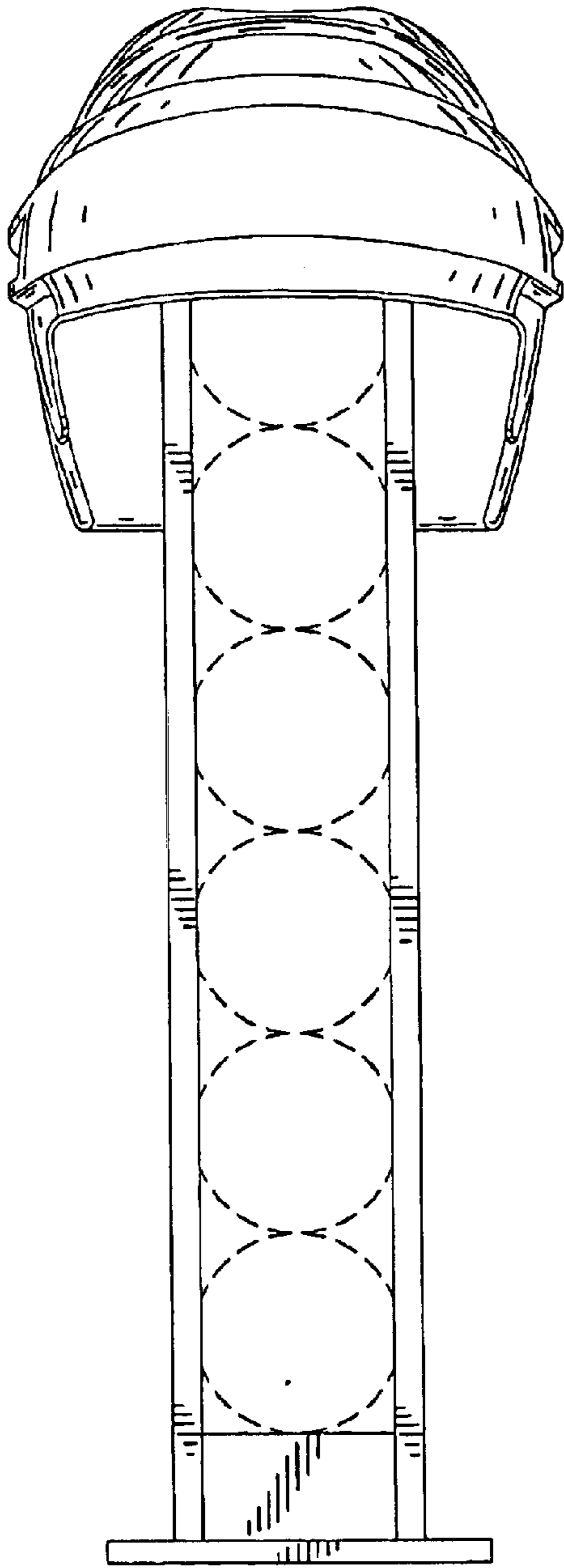


FIG. 2

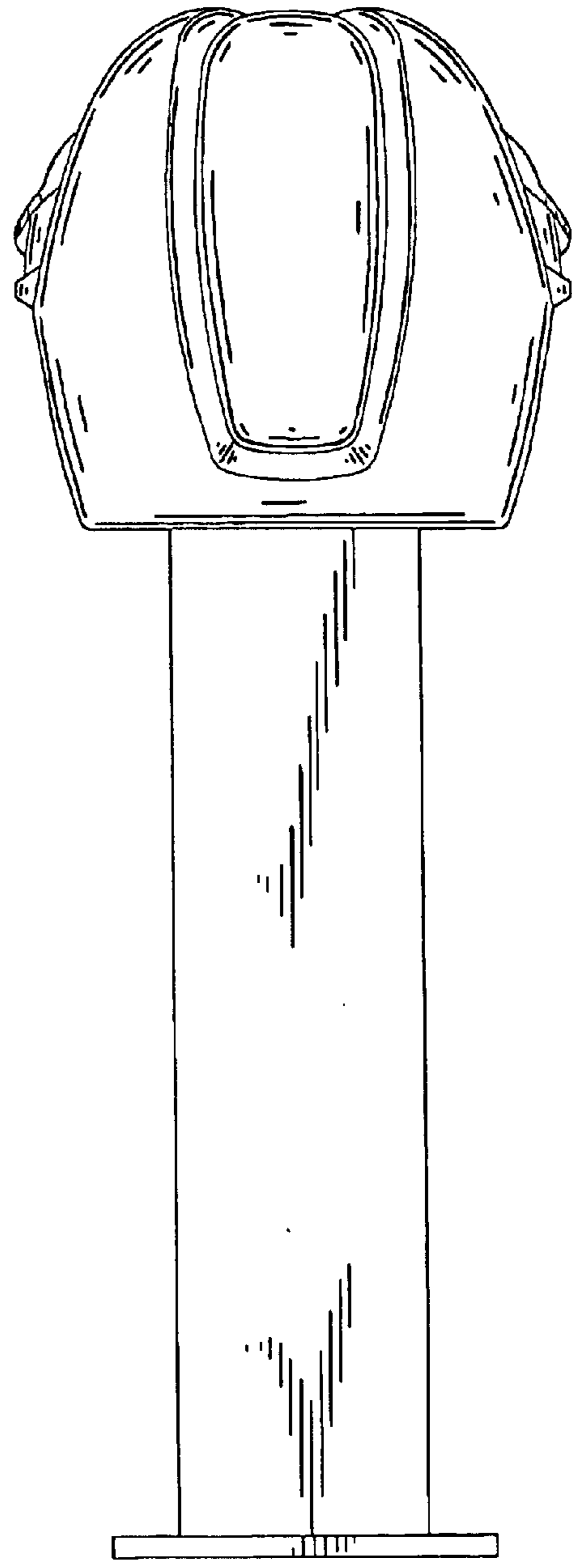


FIG. 3

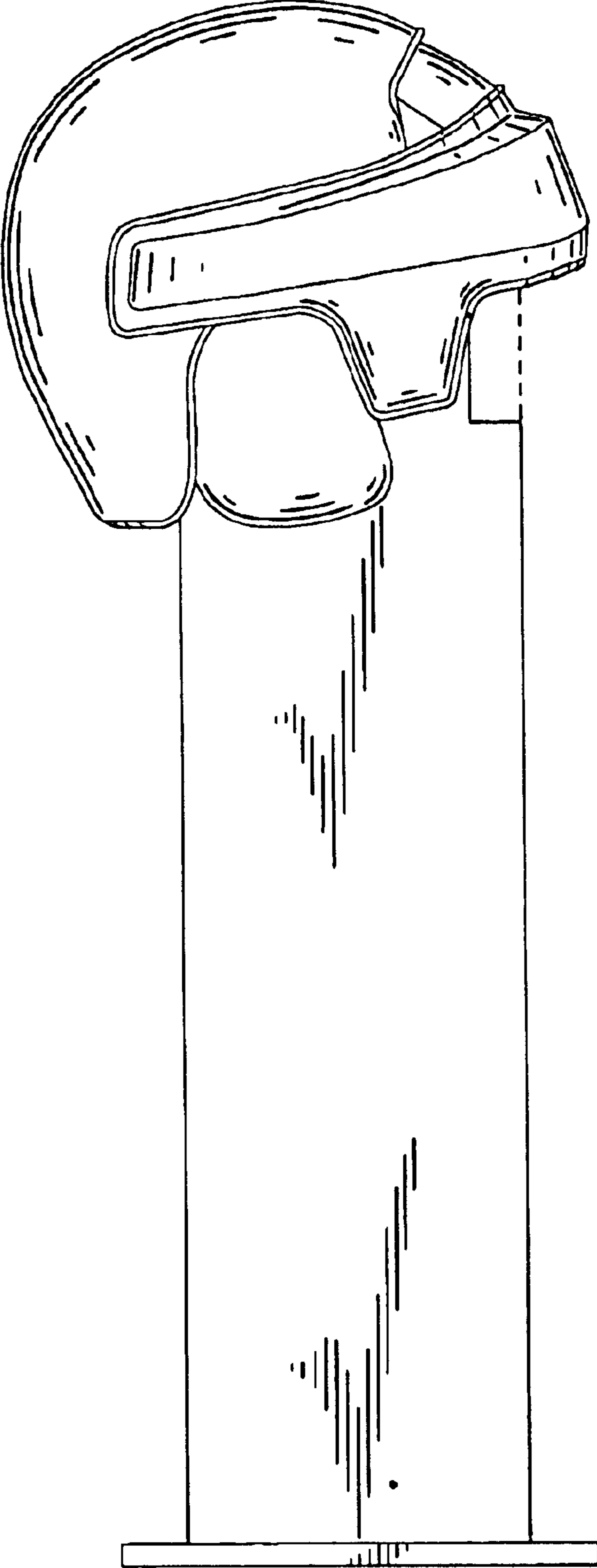


FIG. 4

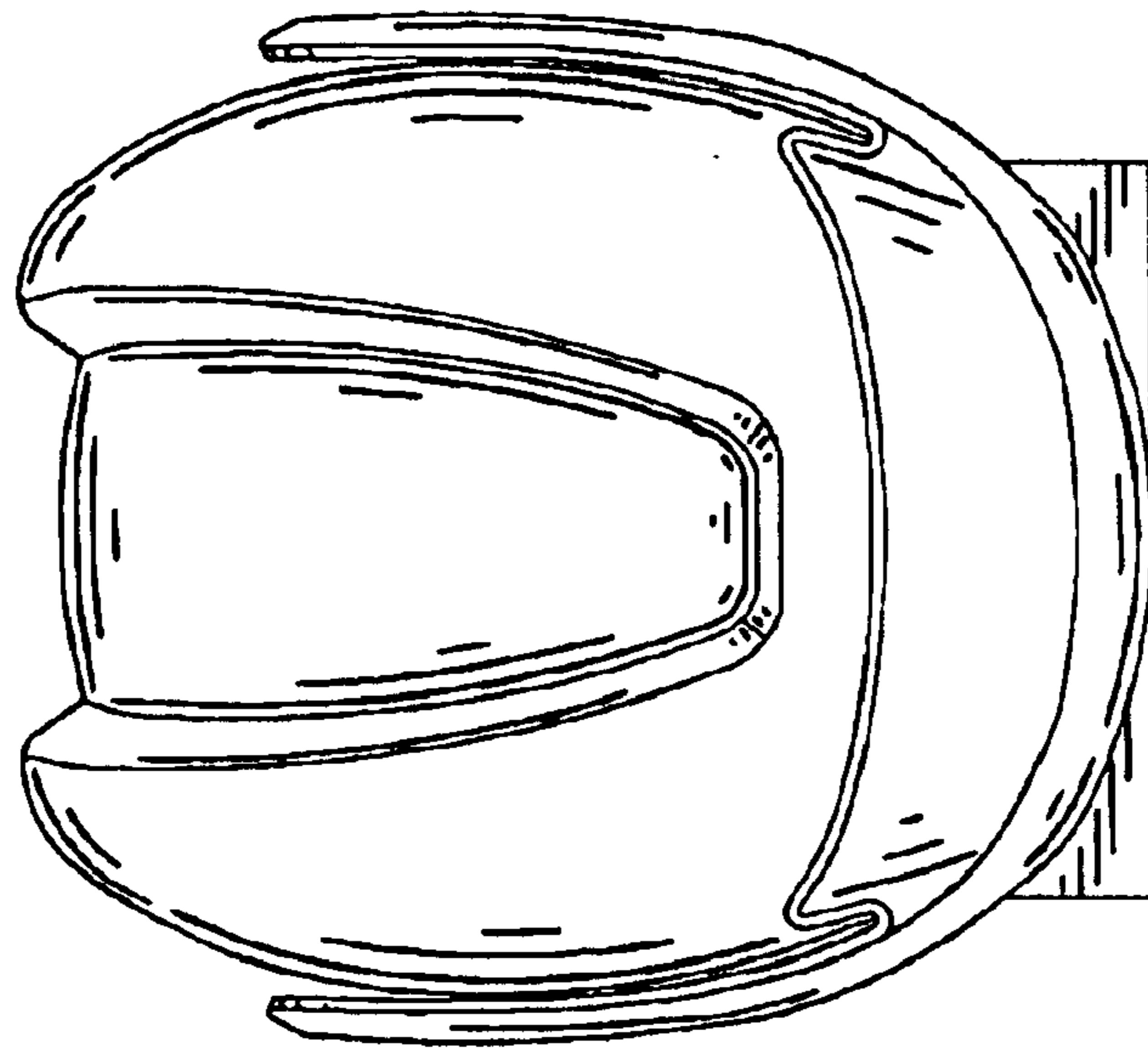


FIG. 5

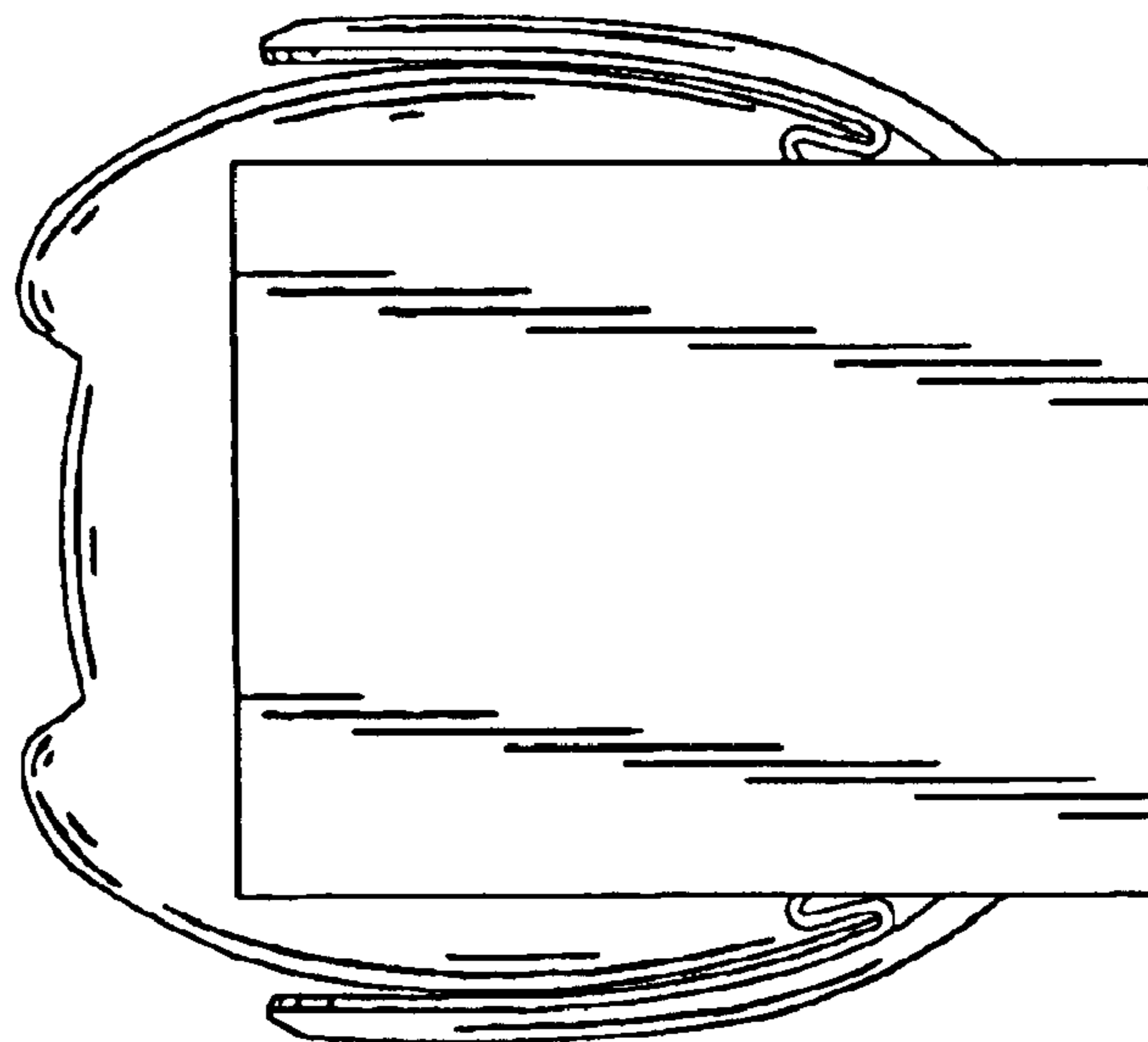


FIG. 6