

US00D501340S

(12) **United States Design Patent**
Grossman et al.

(10) **Patent No.: US D501,340 S**
(45) **Date of Patent: ** Feb. 1, 2005**

(54) **END FRAME FOR A FUTON**

(75) Inventors: **Joel Grossman**, Selangor (MY);
Howard Porter, Kuala Lumpur (MY)

(73) Assignee: **Night and Day Furniture LLC**,
Vancouver, WA (US)

(**) Term: **14 Years**

(21) Appl. No.: **29/179,282**

(22) Filed: **Apr. 9, 2003**

(51) **LOC (7) Cl.** **06-06**

(52) **U.S. Cl.** **D6/492; D6/381; D6/500**

(58) **Field of Search** **D6/334, 335, 336,**
D6/370, 379, 381, 500, 501, 502; 5/12.1;
297/232

(56) **References Cited**

U.S. PATENT DOCUMENTS

D271,446 S	*	11/1983	Long	D6/381
D360,538 S	*	7/1995	Skalka	D6/370
D424,315 S	*	5/2000	Jeng	D6/370
D426,407 S	*	6/2000	Schlichter et al.	D6/492
D464,512 S	*	10/2002	Pathiratne	D6/492
D465,679 S	*	11/2002	Hammonds et al.	D6/501

OTHER PUBLICATIONS

J C Penney, Spring/Summer 2002, p. 682, Baldwin Daybed
"E".*

* cited by examiner

Primary Examiner—Gary D. Watson

(74) *Attorney, Agent, or Firm*—Harness, Dickey & Pierce,
P.L.C.

(57) **CLAIM**

The ornamental design for an end frame for a futon, as
shown and described.

DESCRIPTION

FIG. 1 is a perspective view of an end frame for a futon
illustrating the features of the invention relating to the end
portion in solid lines, and in broken lines to show the
environment in which the invention is claimed, with the
broken lines not forming a part of the claimed design;

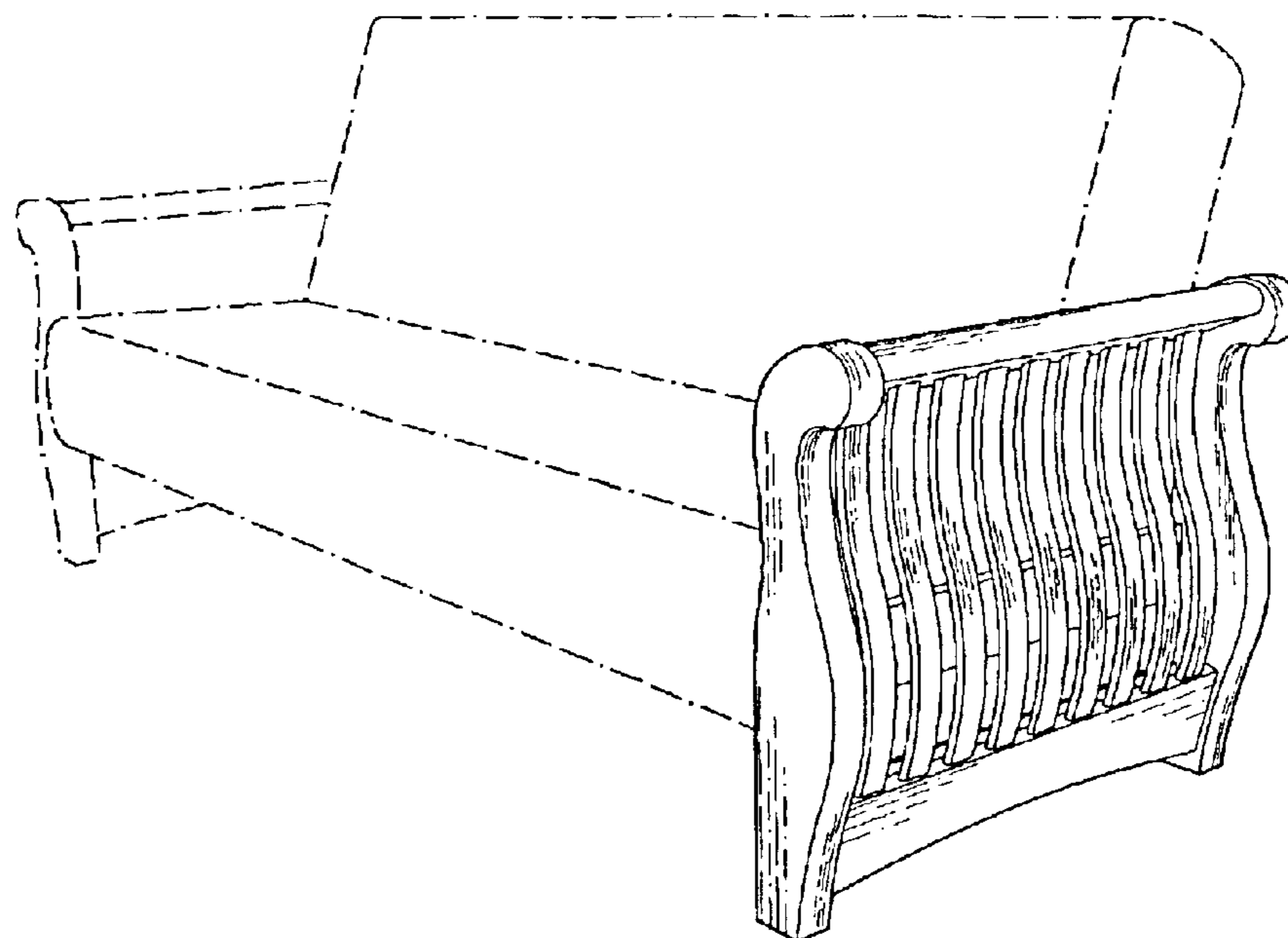
FIG. 2 is a frontal view of the end frame shown in FIG. 1,
with the understanding that the back view is a mirror image
of the frontal view;

FIG. 3 is an end view of the end frame shown in FIG. 2; and,

FIG. 4 is an end view of the end frame shown in FIG. 2,
taken from the opposing end of the end view shown in FIG.
3.

It is submitted that the bottom view of the end frame does
not form any part of the claimed design.

1 Claim, 1 Drawing Sheet



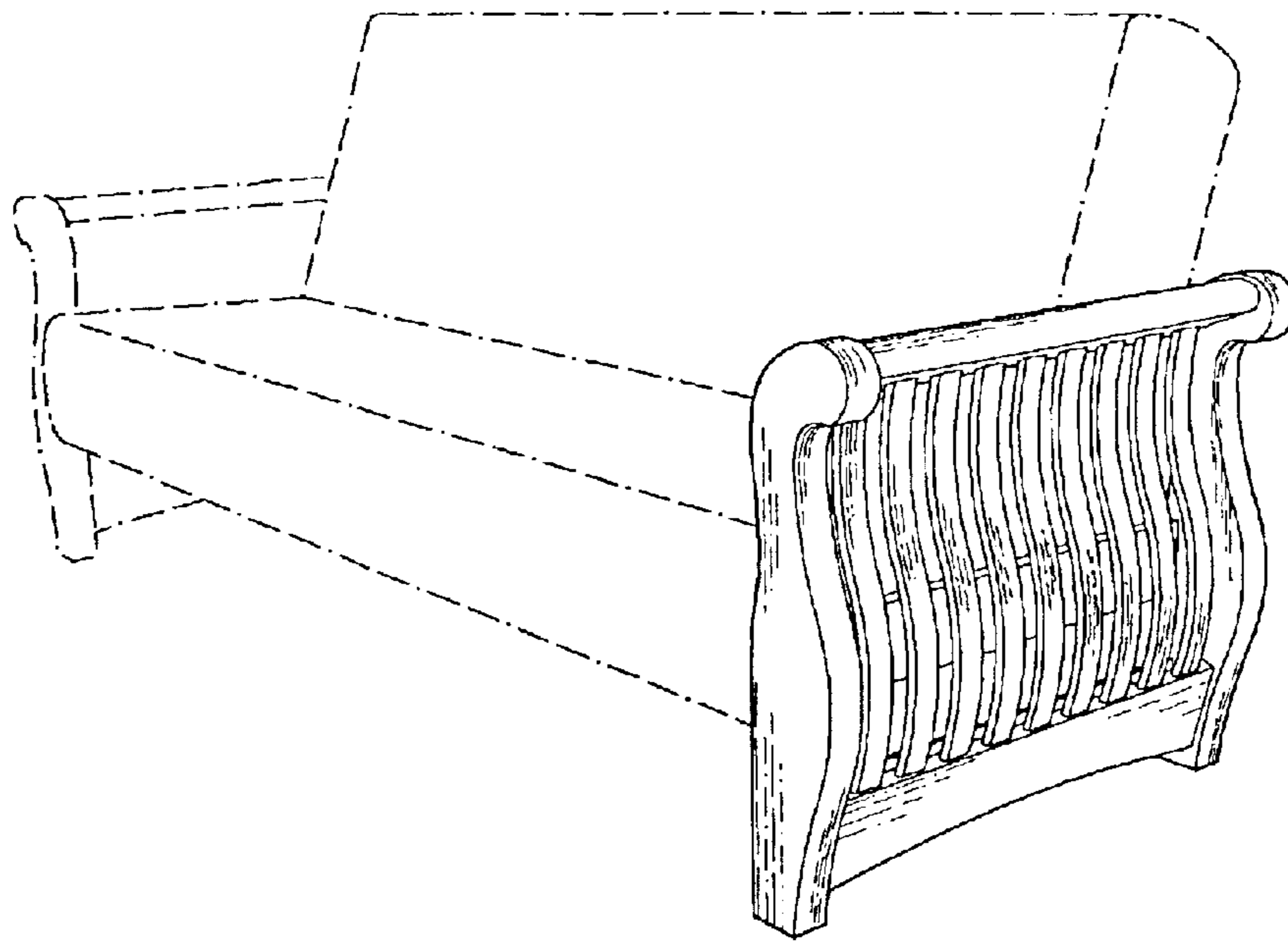


FIG. 1

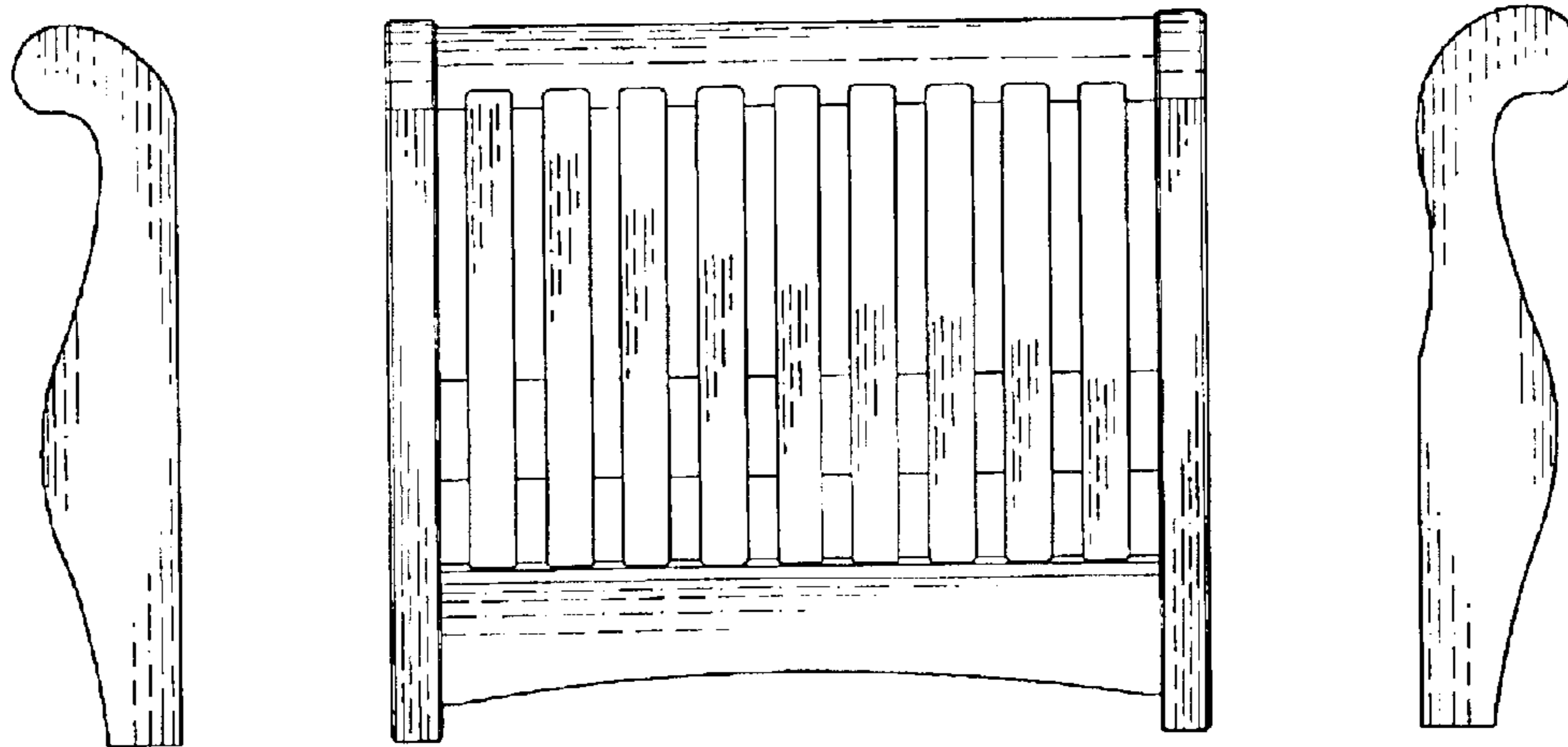


FIG. 3

FIG. 2

FIG. 4