



US00D501339S

(12) **United States Design Patent**
Lai

(10) **Patent No.:** **US D501,339 S**

(45) **Date of Patent:** **** Feb. 1, 2005**

(54) **TABLE**

(75) **Inventor:** **Kuo-Ping Lai**, Changhua Hsien (TW)

(73) **Assignee:** **Chyi Cheng Co., Ltd.**, Changhua Hsien (TW)

(**) **Term:** **14 Years**

(21) **Appl. No.:** **29/197,481**

(22) **Filed:** **Jan. 16, 2004**

(51) **LOC (7) Cl.** **06-03**

(52) **U.S. Cl.** **D6/480**

(58) **Field of Search** D6/480-489, 511,
D6/495-499, 429; 108/150, 153.1, 155,
156, 157.1, 161; 248/188, 188.1, 188.8

(56) **References Cited**

U.S. PATENT DOCUMENTS

D278,959 S * 5/1985 Berry, Jr. D6/480
D477,931 S * 8/2003 Chang D6/422

D484,337 S * 12/2003 Risdon et al. D6/495
D493,052 S * 7/2004 Ciabatti D6/487

* cited by examiner

Primary Examiner—Janice E. Seeger

(74) *Attorney, Agent, or Firm*—Leong C. Lei

(57) **CLAIM**

The ornamental design for a table, as shown and described.

DESCRIPTION

FIG. 1 is perspective view of a table showing my new design;

FIG. 2 is a front side elevation view thereof;

FIG. 3 is a rear side elevation view thereof;

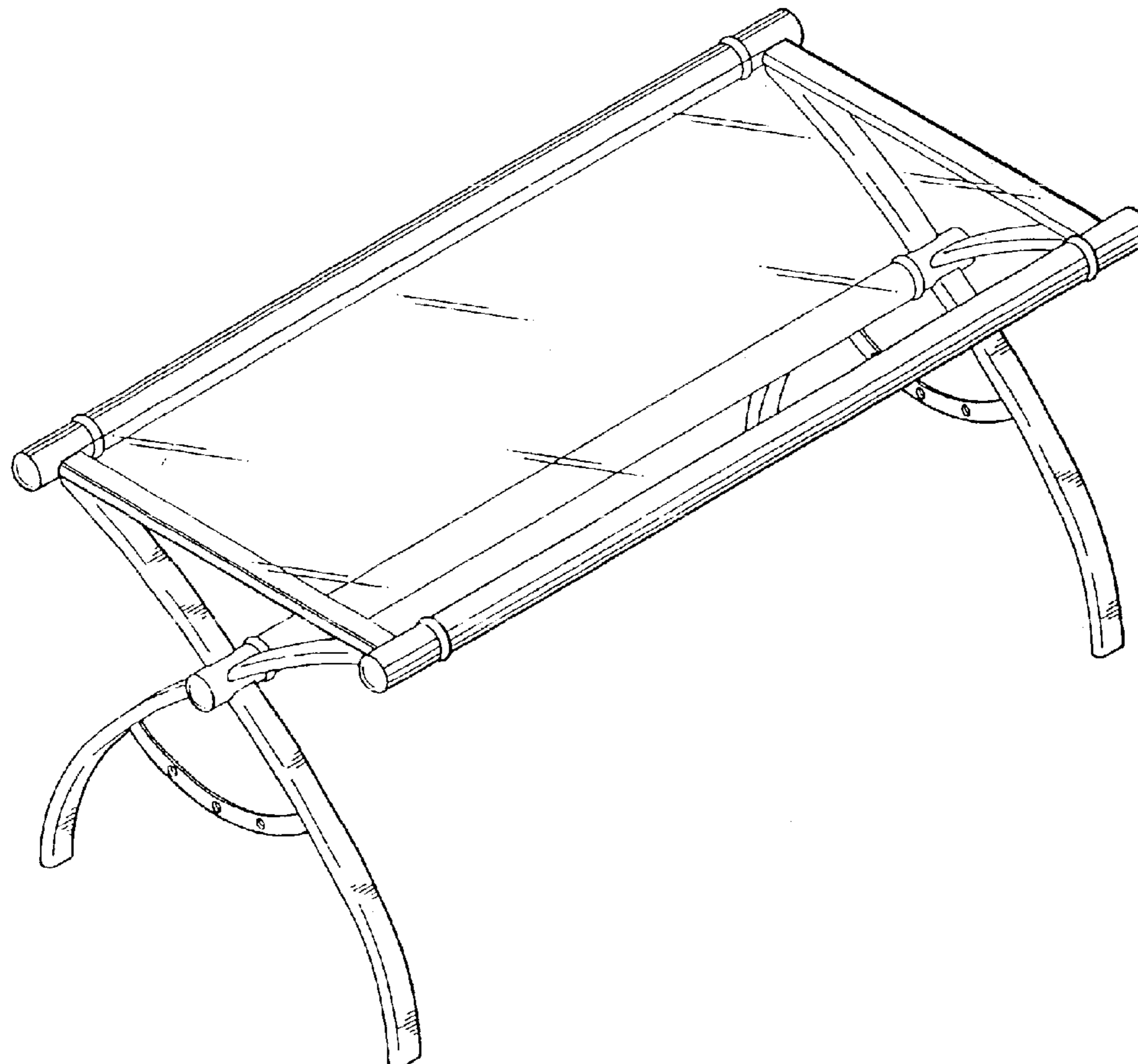
FIG. 4 is a left side elevation view thereof;

FIG. 5 is a right side elevation view thereof;

FIG. 6 is a top plan view thereof; and,

FIG. 7 is a bottom plan view thereof.

1 Claim, 6 Drawing Sheets



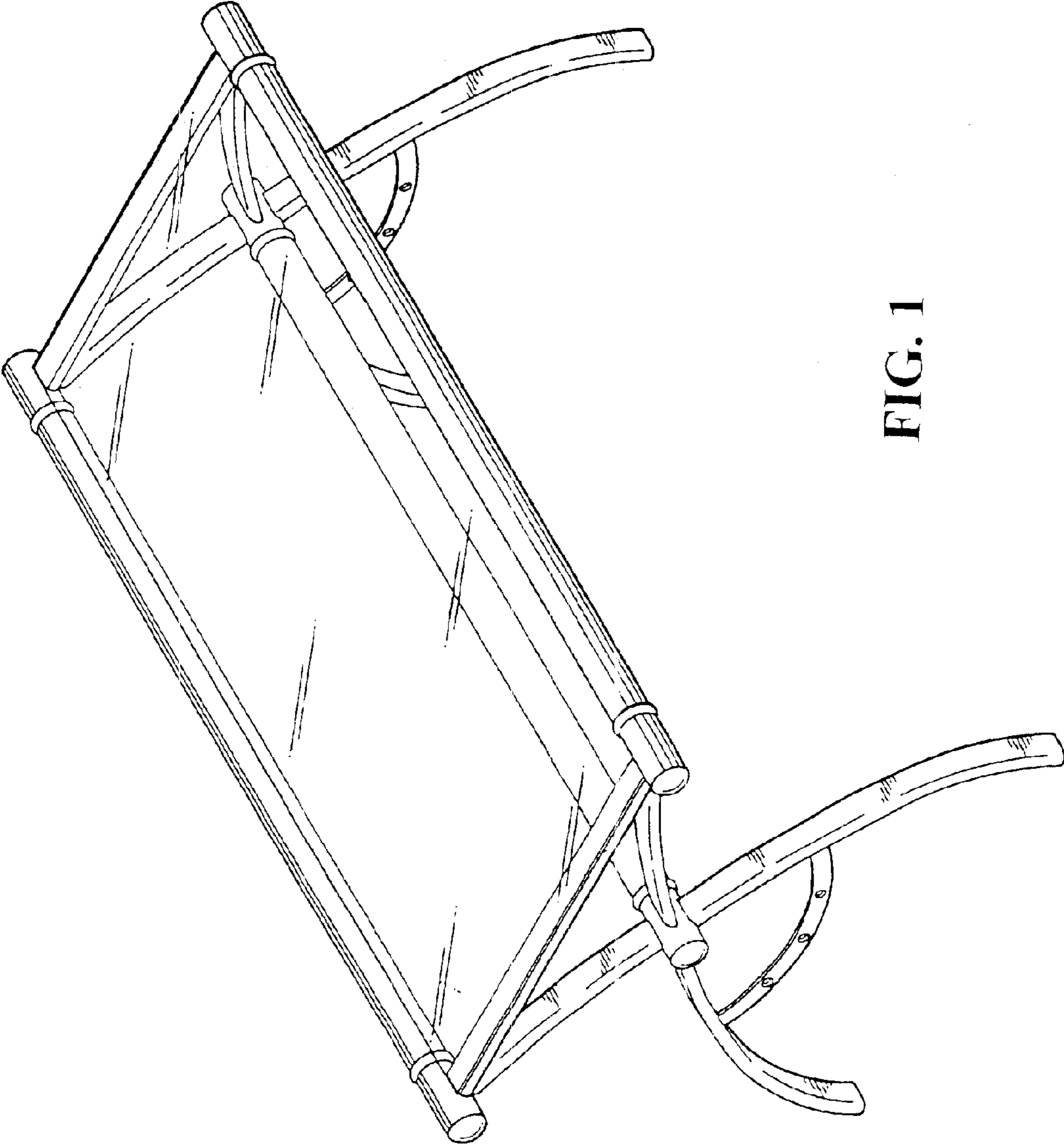


FIG. 1

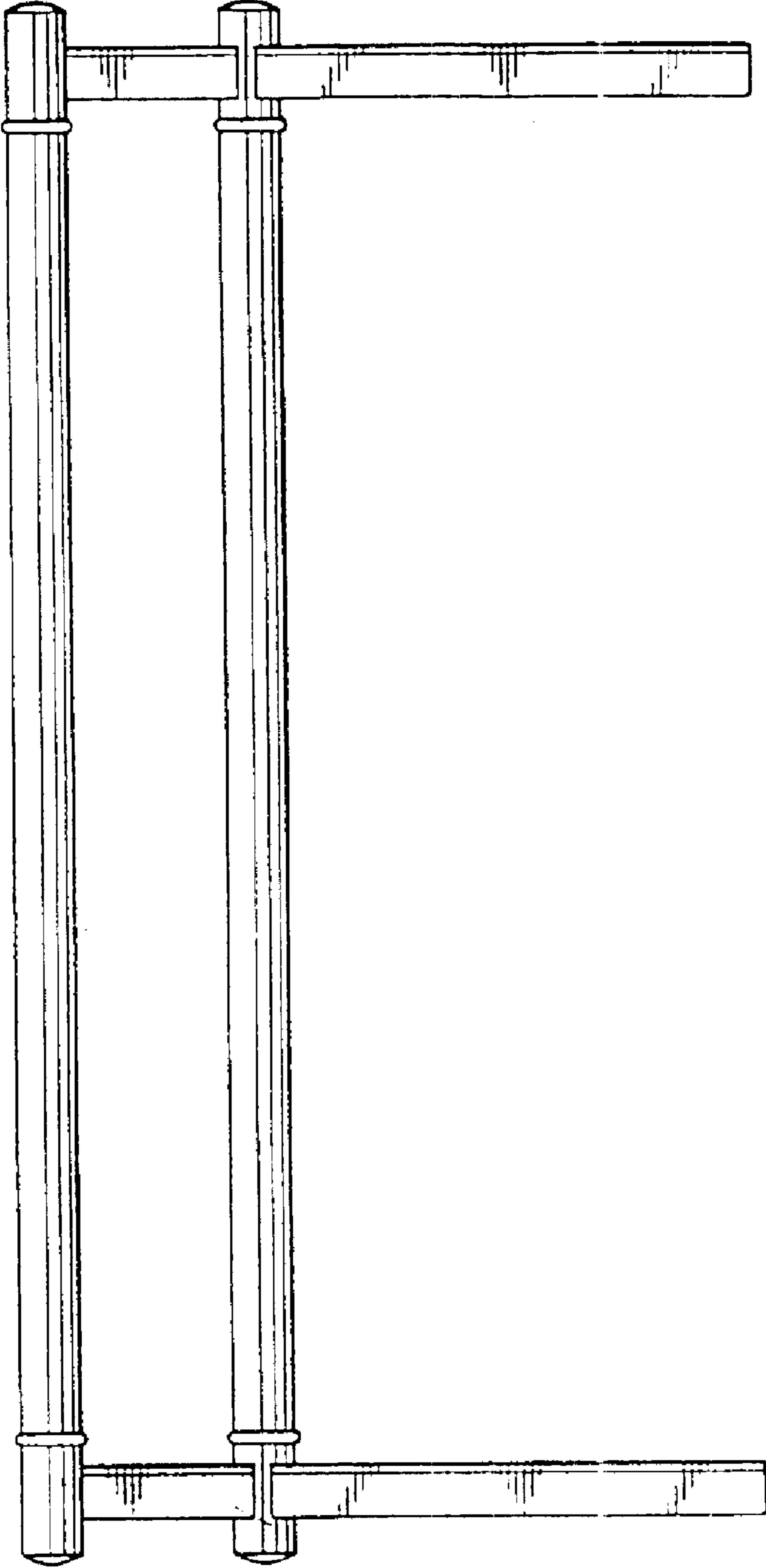


FIG. 2

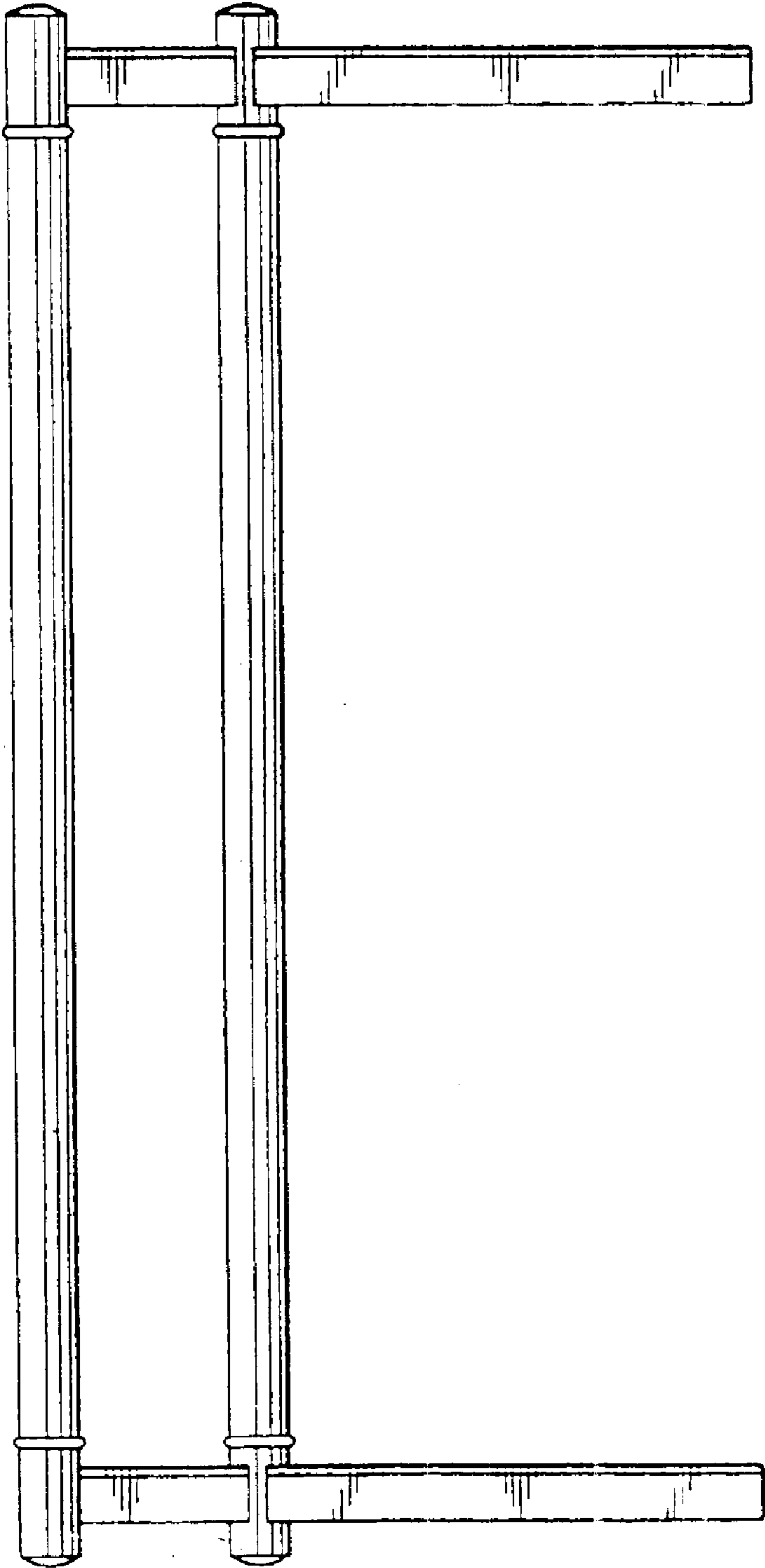


FIG. 3

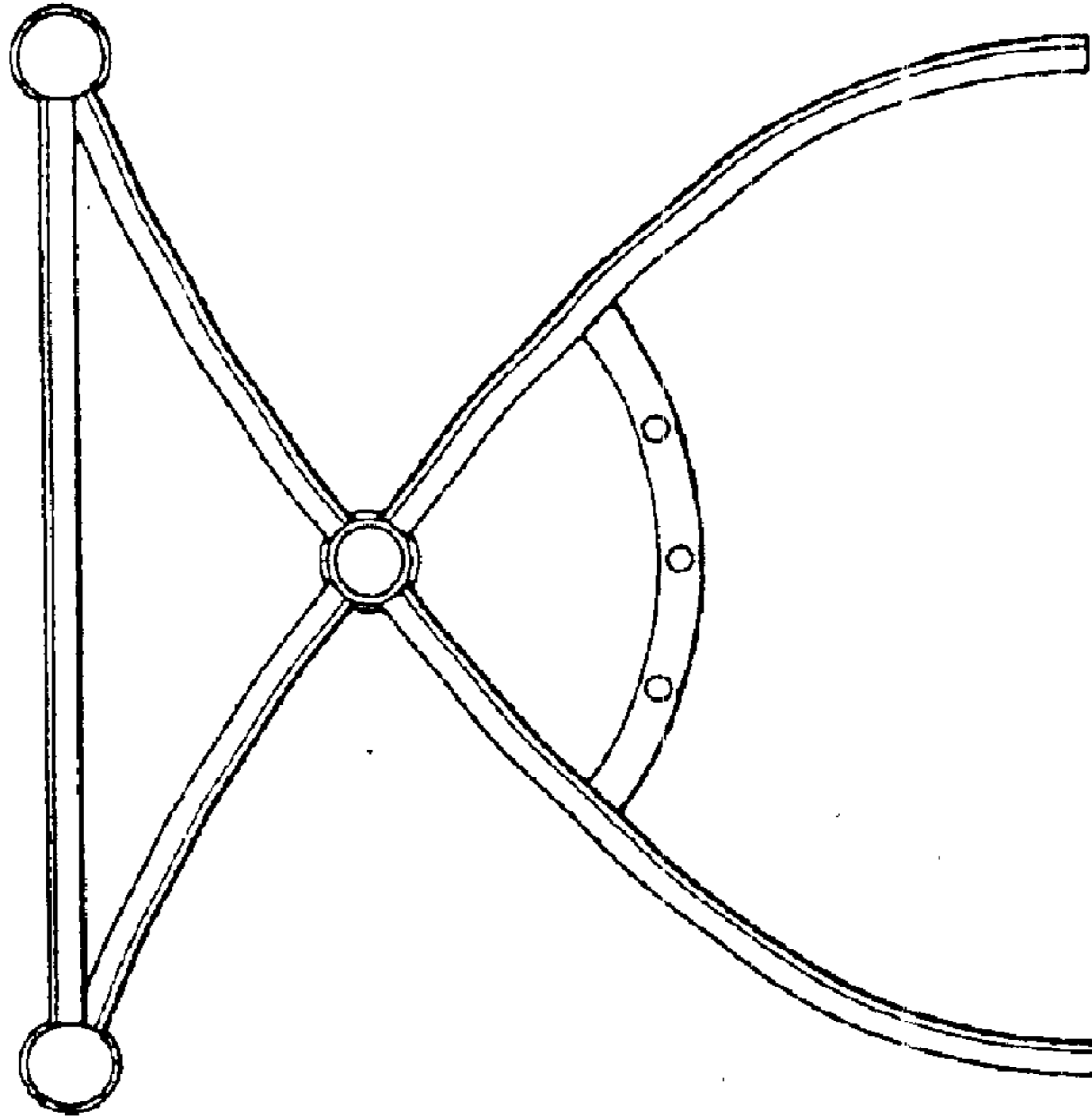


FIG. 5

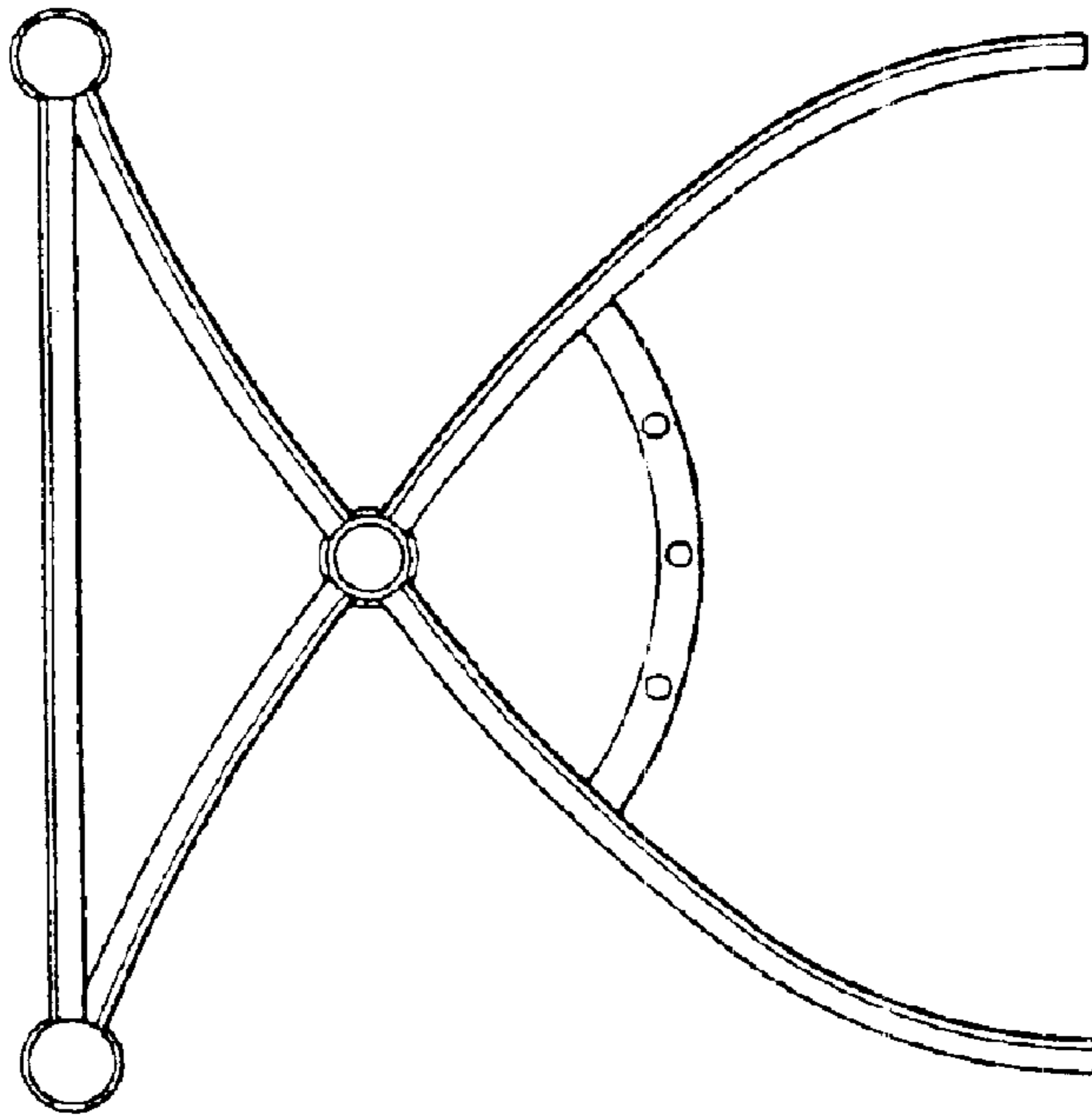


FIG. 4

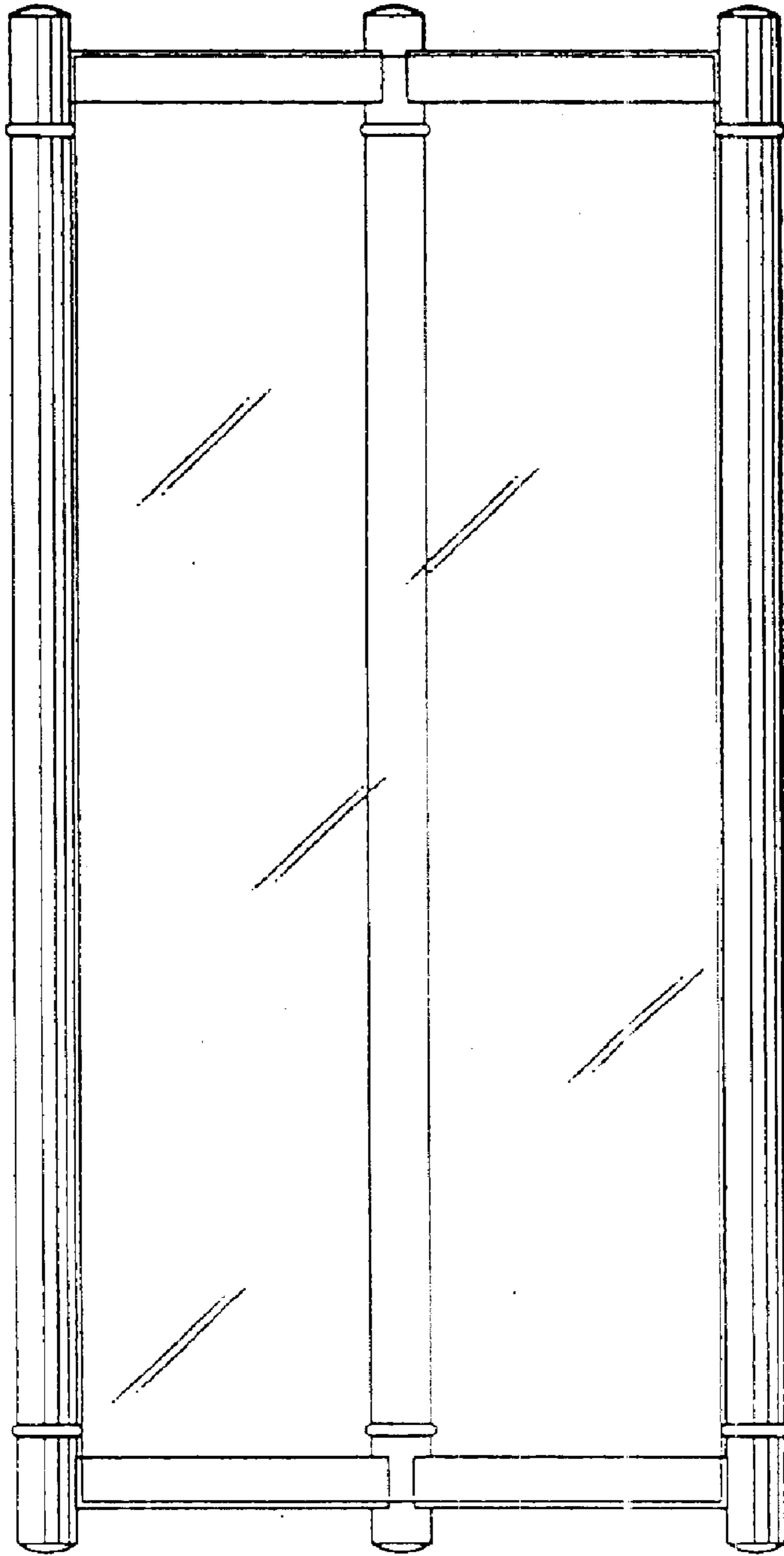


FIG. 6

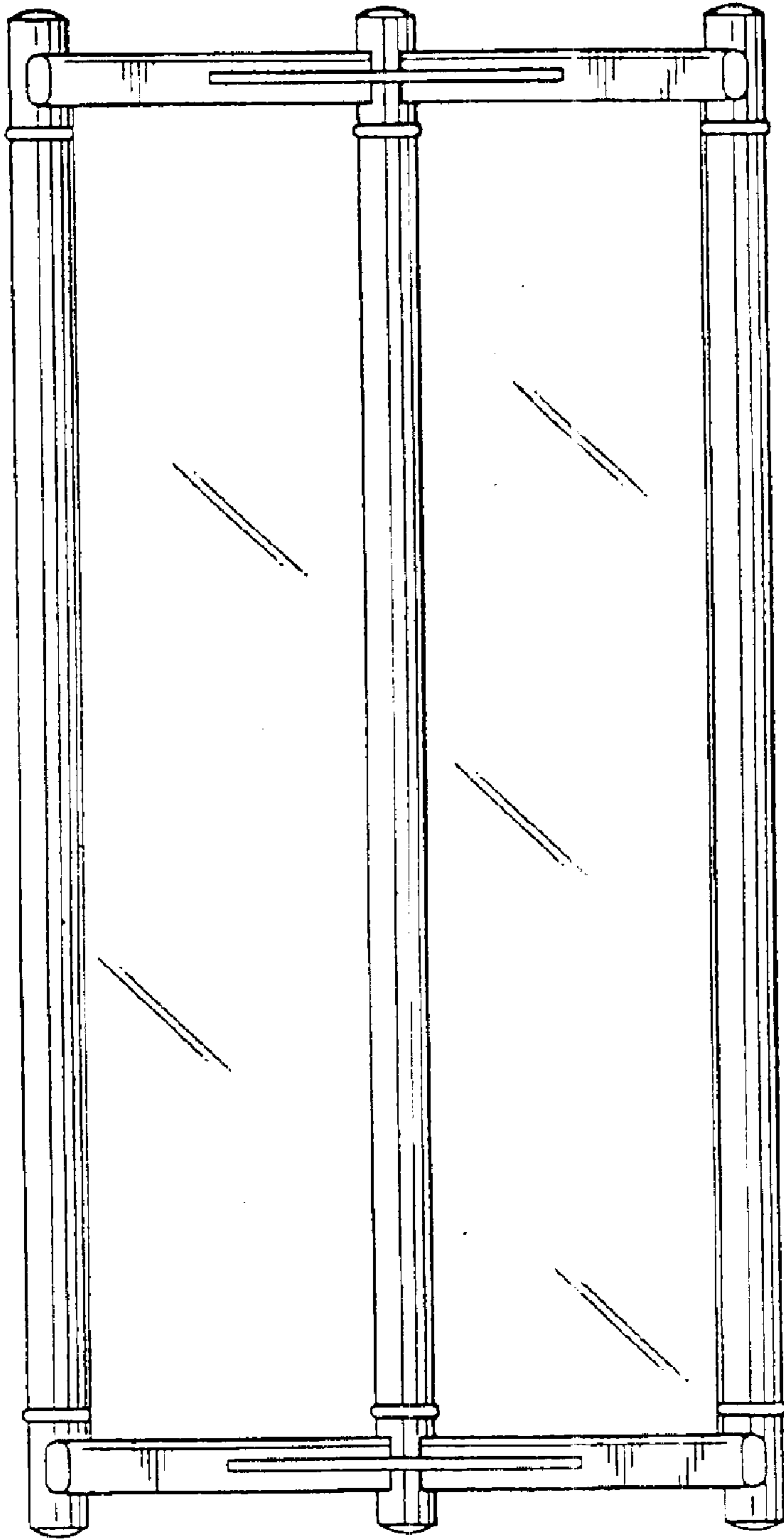


FIG. 7