



US00D501337S

(12) **United States Design Patent**
Berger et al.

(10) **Patent No.: US D501,337 S**
(45) **Date of Patent: ** Feb. 1, 2005**

(54) **EXPANDABLE SPICE RACK**

6,142,321 A * 11/2000 West 211/153

(76) Inventors: **Andy L. Berger**, 1800 S. Wolf Rd.,
Des Plaines, IL (US) 60018; **Linda
Chen Berger**, 1800 S. Wolf Rd., Des
Plaines, IL (US) 60018

* cited by examiner

Primary Examiner—Cathron Brooks
(74) *Attorney, Agent, or Firm*—Ladas & Parry LLP

(**) Term: **14 Years**

(57) **CLAIM**

The ornamental design for an expandable spice rack, as
shown and described.

(21) Appl. No.: **29/198,457**

(22) Filed: **Jan. 28, 2004**

DESCRIPTION

(51) **LOC (7) Cl.** **06-04**

(52) **U.S. Cl.** **D6/479; D6/429; D6/569**

(58) **Field of Search** D6/429, 567–574,
D6/474–479; D7/600.1, 600; 108/59, 64,
91–93, 107, 149, 151, 144.11, 147.11, 147.13;
211/13.1, 42, 43, 49.1, 85.26, 134, 187–190,
153, 207

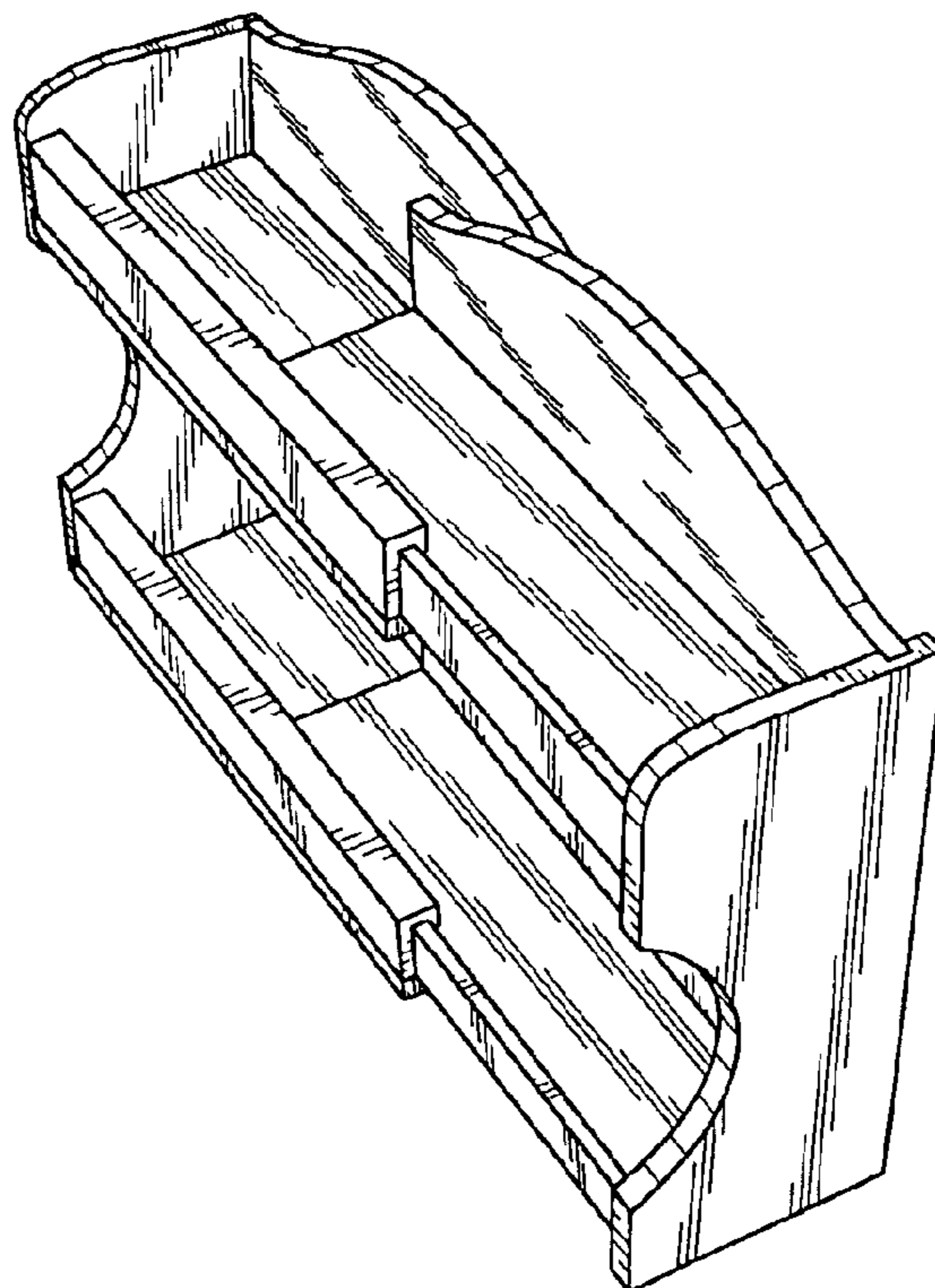
FIG. 1 is a perspective view from the right side and above
of the expandable spice rack showing our new design;
FIG. 2 is a front elevation view thereof;
FIG. 3 is a rear elevational view thereof;
FIG. 4 is a top plan view thereof;
FIG. 5 is a bottom plan view thereof;
FIG. 6 is a left side elevational view thereof;
FIG. 7 is a right side elevational view thereof;
FIG. 8 is a perspective view from the left side and above of
the expandable spice rack of our new design, with the rack
shown partially expanded;
FIG. 9 is a front elevational view of the expanded rack
shown in FIG. 8;
FIG. 10 is a rear elevational view of the expanded rack
shown in FIG. 8;
FIG. 11 is a top plan view of the expanded rack shown in
FIG. 8; and,
FIG. 12 is a bottom plan view of the expanded rack shown
in FIG. 8.

(56) **References Cited**

U.S. PATENT DOCUMENTS

1,657,049 A	*	1/1928	Sicklen, Jr.	D6/553
D150,378 S	*	7/1948	Spence	D6/474
D233,295 S	*	10/1974	Sandidge	D6/478
D243,298 S	*	2/1977	Taubman	D6/571
D272,325 S	*	1/1984	Sze	D6/574
D322,728 S	*	12/1991	Berman	D6/476
D325,313 S	*	4/1992	Evenson	D6/553
D330,985 S	*	11/1992	White	D6/525
D354,646 S	*	1/1995	Weinstein	D6/567
6,102,217 A	*	8/2000	Mathy et al.	211/188

1 Claim, 9 Drawing Sheets



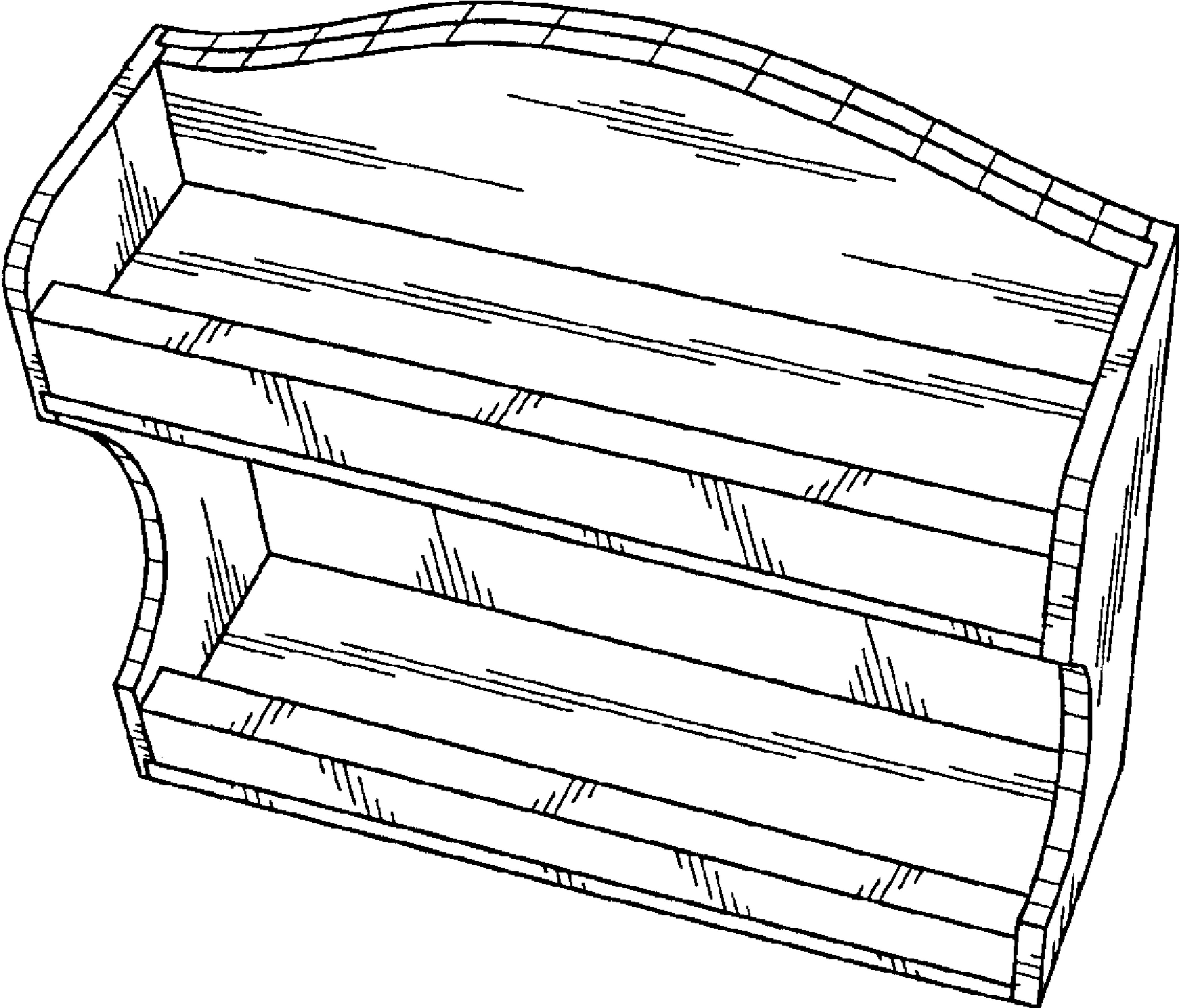


FIG. 1

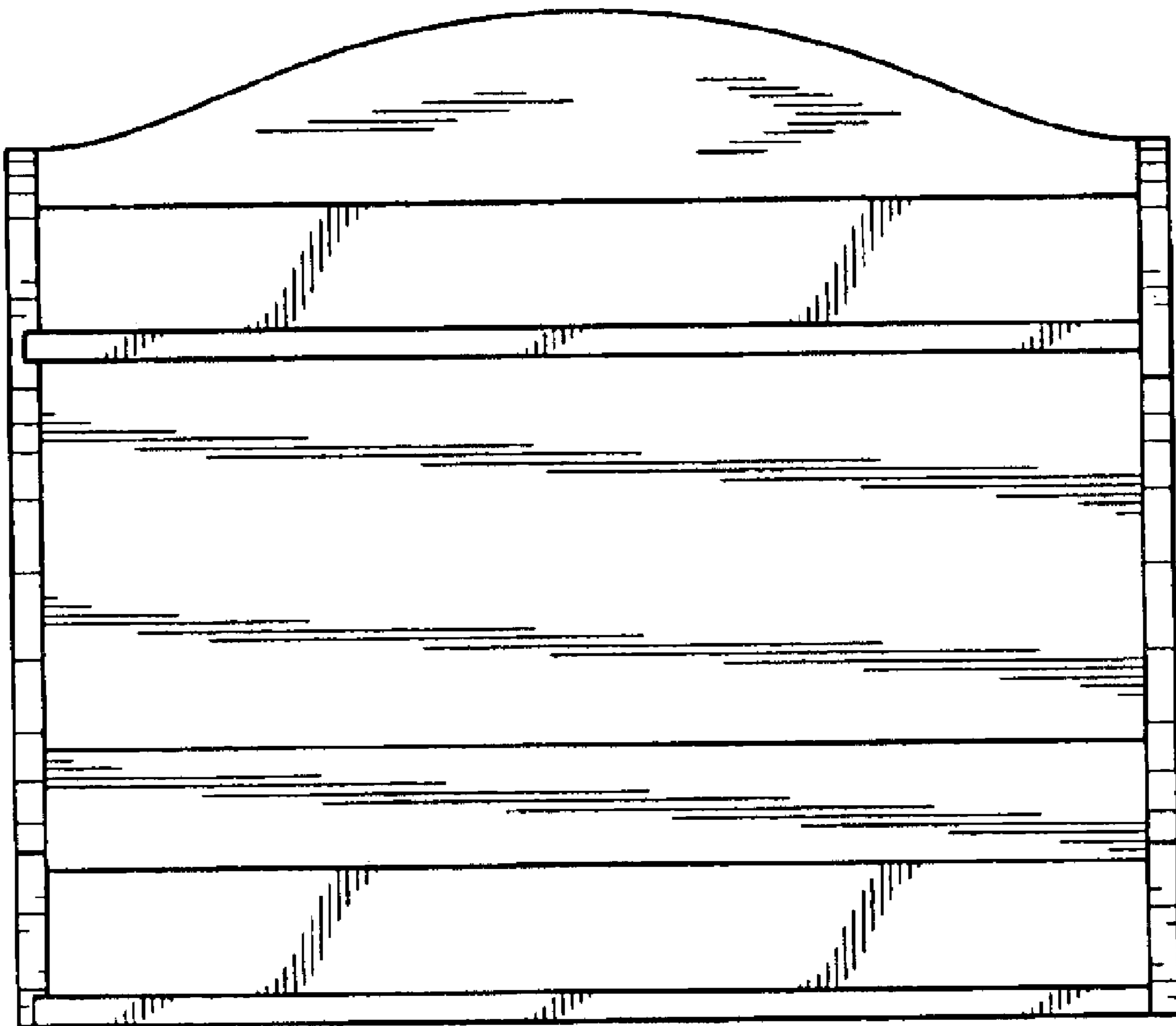


FIG. 2

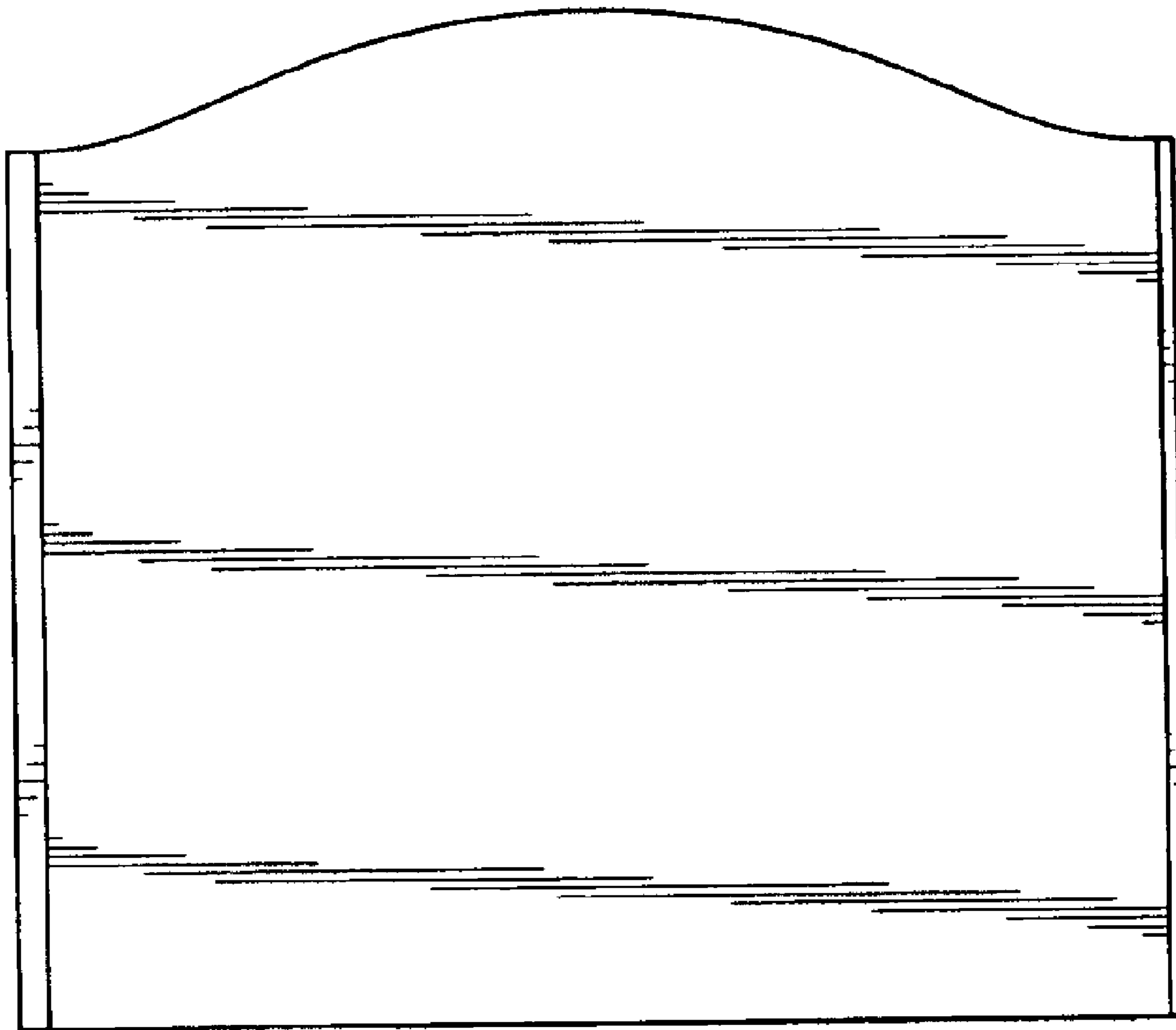


FIG. 3

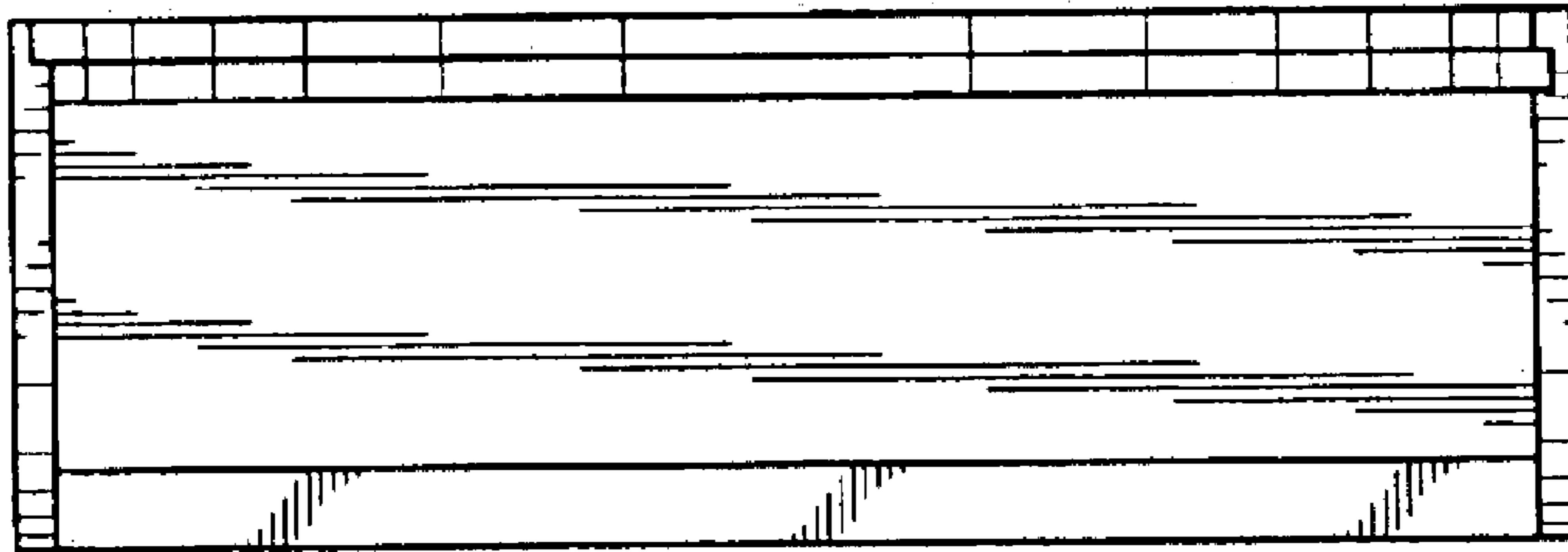


FIG. 4

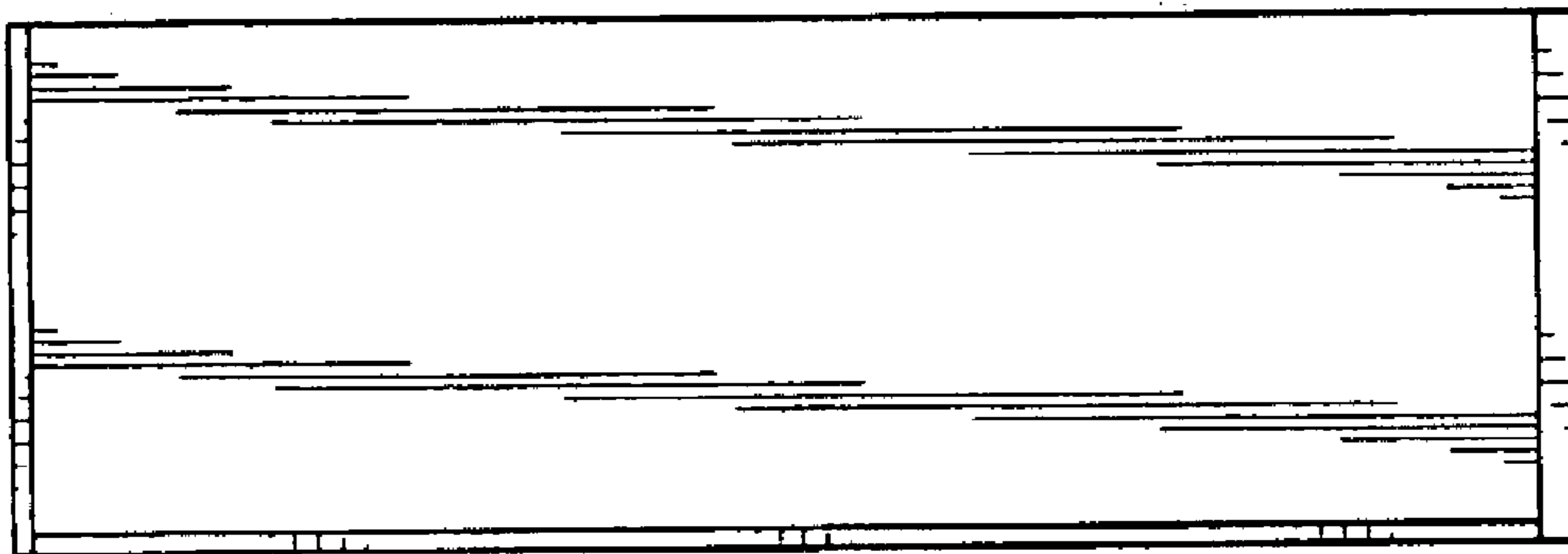


FIG. 5

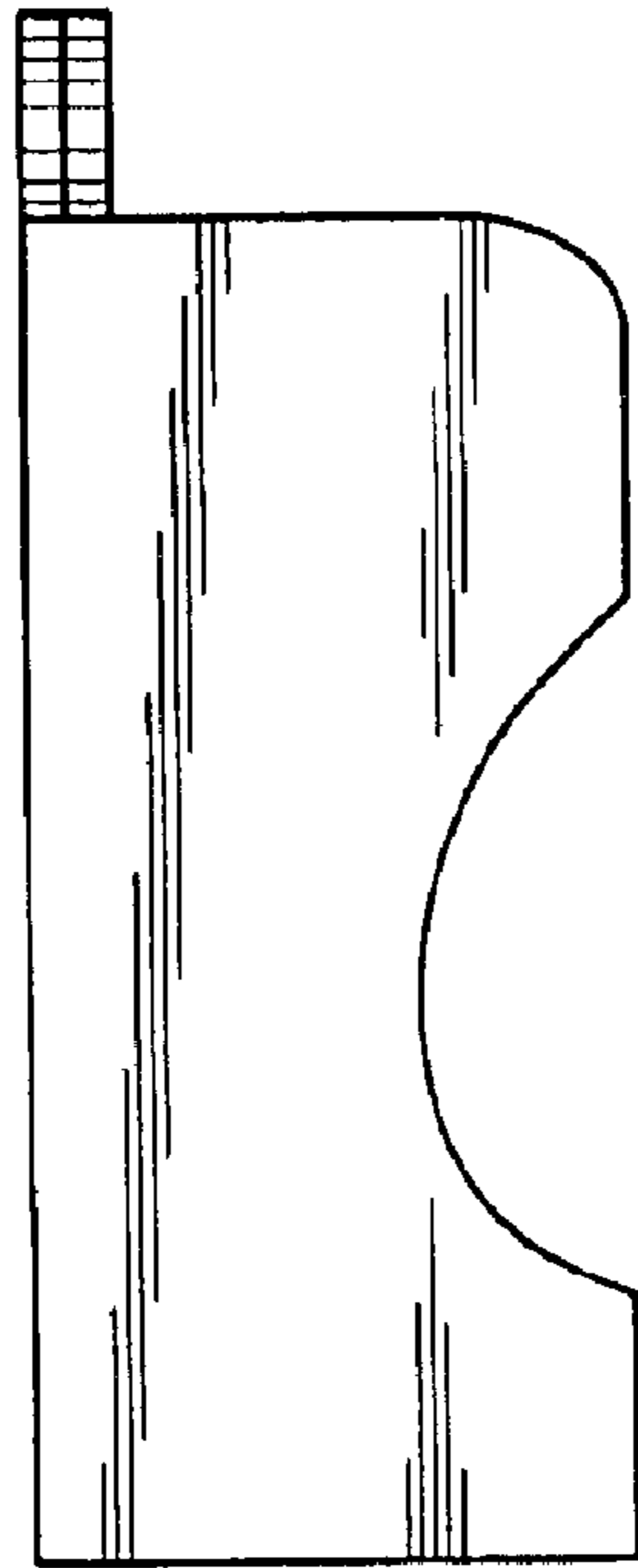


FIG. 6

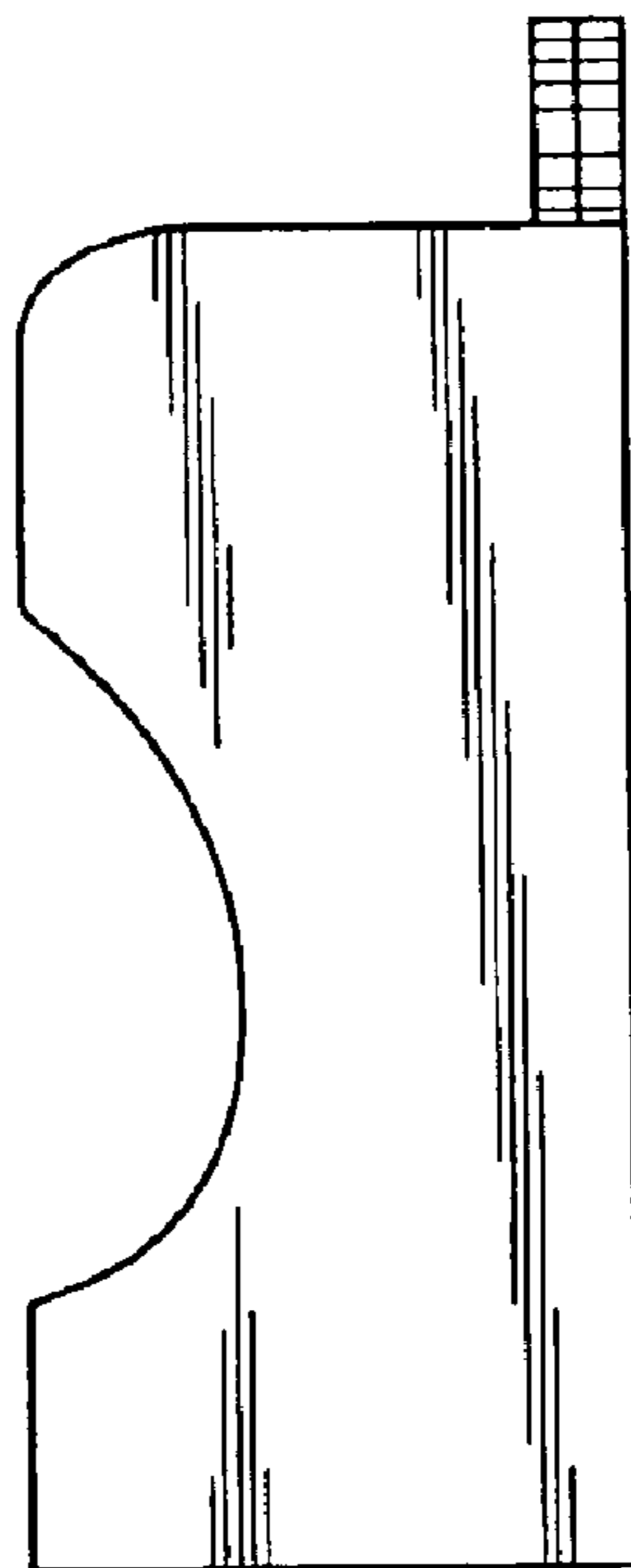


FIG. 7

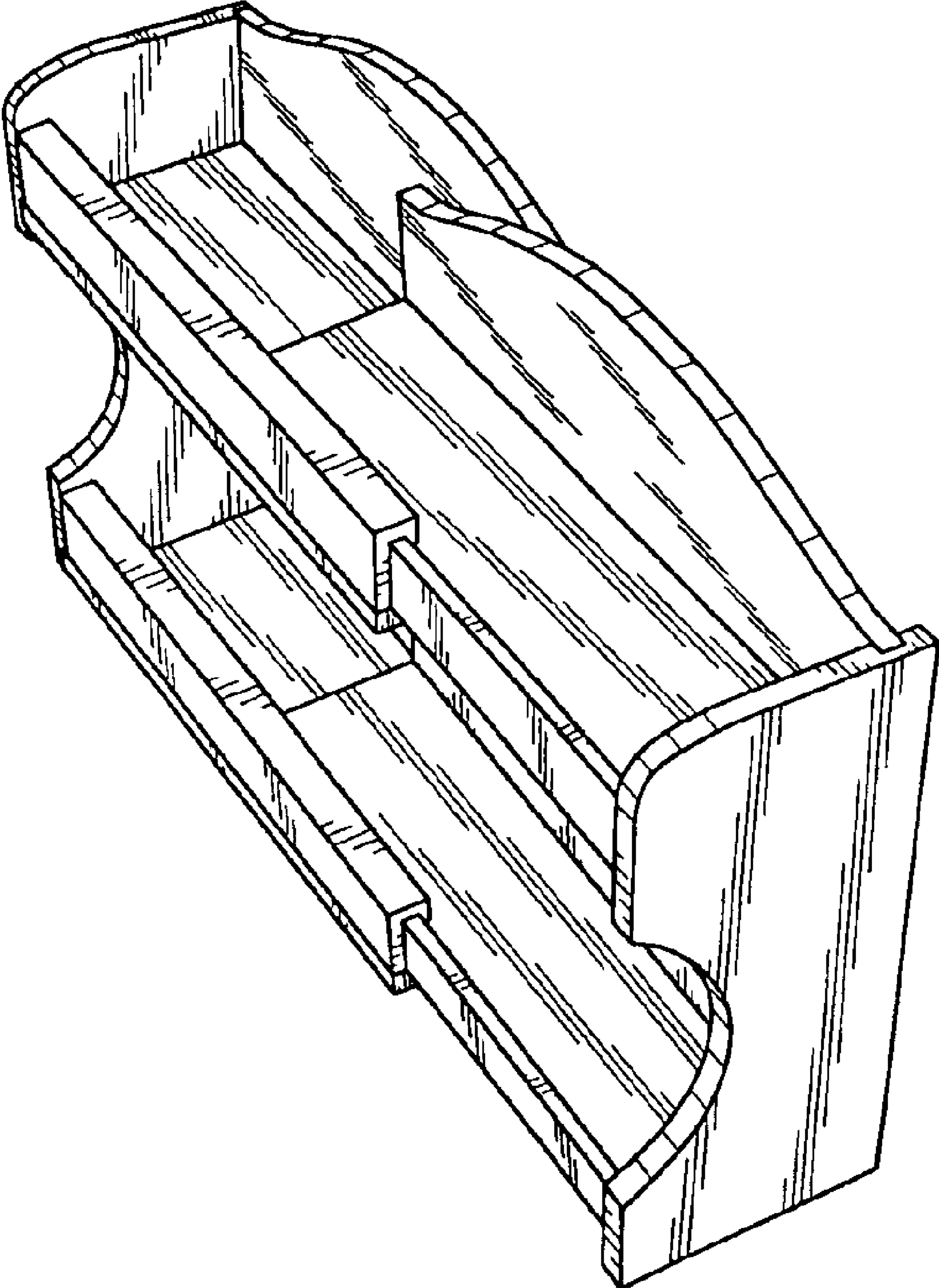


FIG. 8

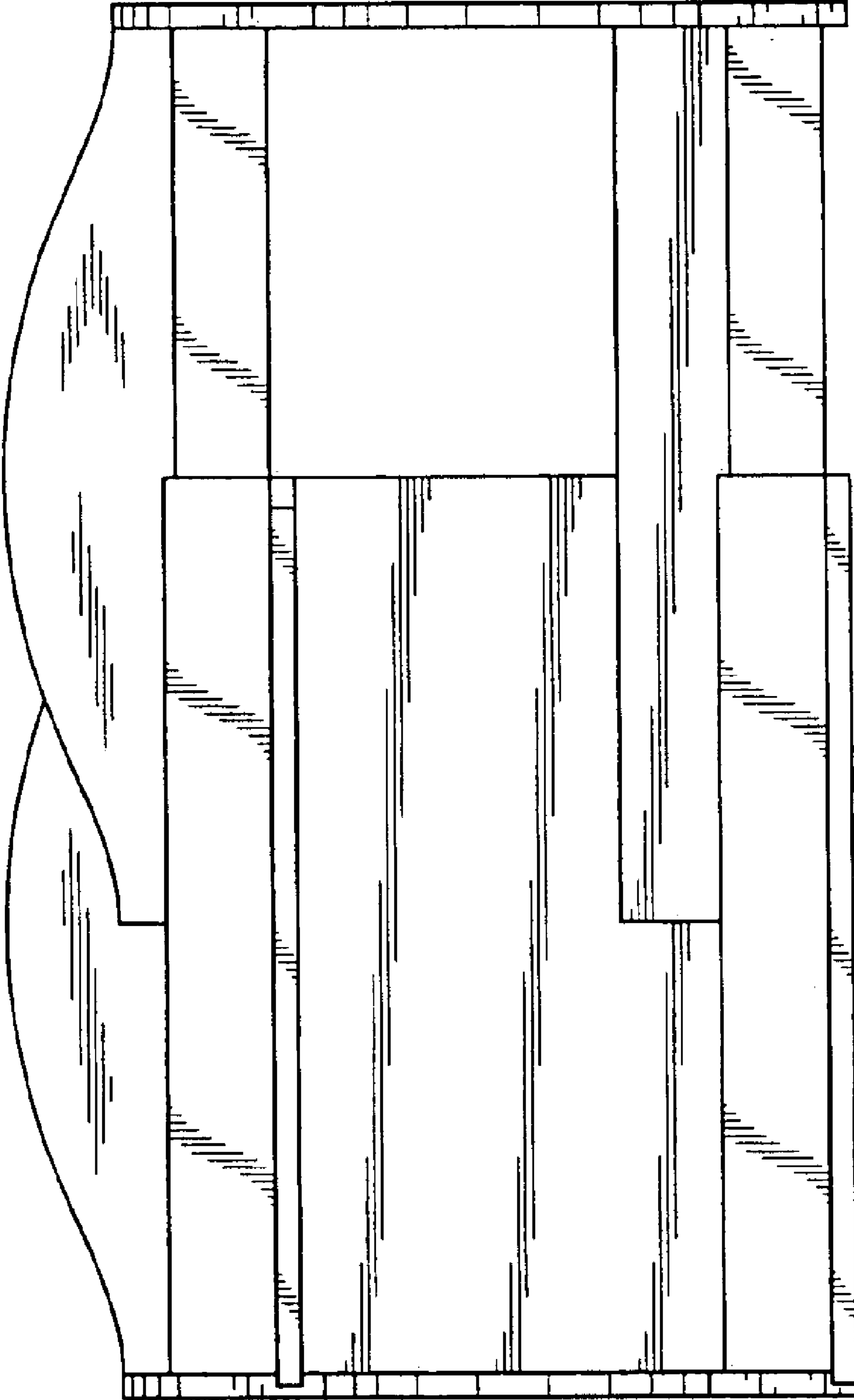


FIG. 9

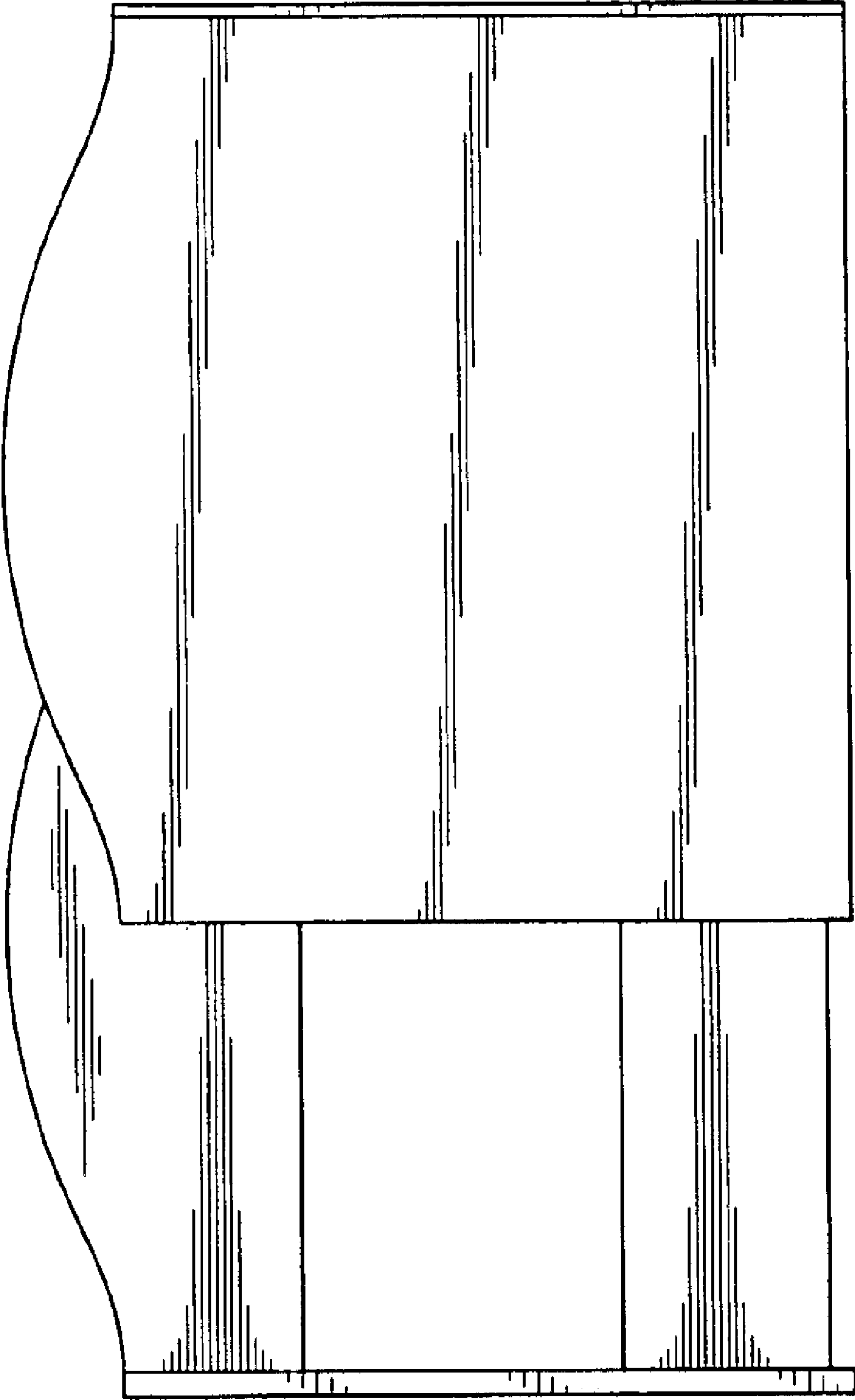


FIG. 10



FIG. 11

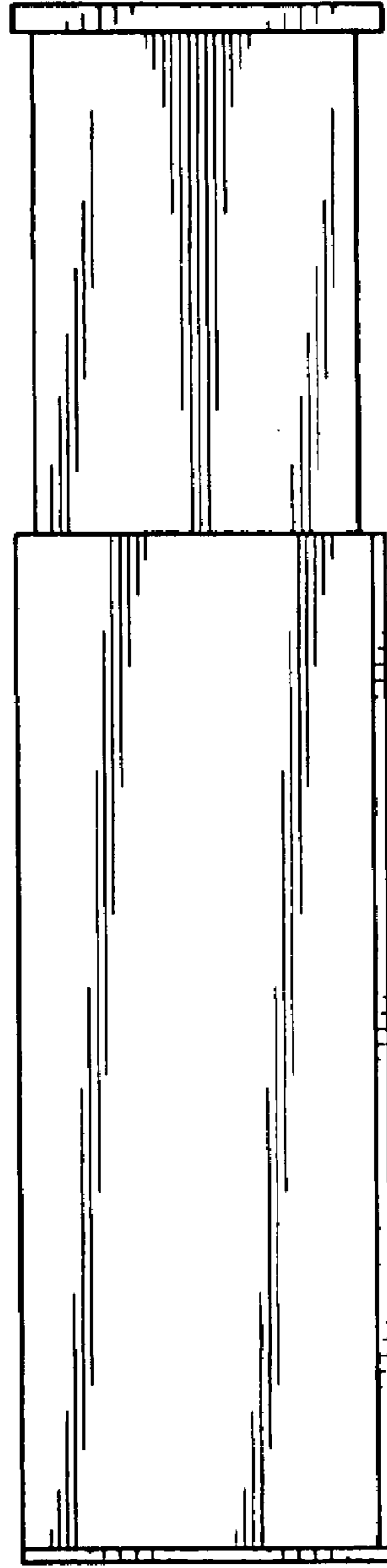


FIG. 12