

US00D501336S

(12) **United States Design Patent**
Lin

(10) **Patent No.:** **US D501,336 S**
(45) **Date of Patent:** **** Feb. 1, 2005**

(54) **FOLDABLE TABLE**

(76) **Inventor:** **Kuen-I Lin**, 58, Ma Yuan West St.,
Taichung (TW)

(**) **Term:** **14 Years**

(21) **Appl. No.:** **29/196,111**

(22) **Filed:** **Dec. 19, 2003**

(51) **LOC (7) Cl.** **06-03**

(52) **U.S. Cl.** **D6/429; D6/487; D6/483**

(58) **Field of Search** **D6/480-489, 511,**
D6/495-499, 429; 108/150, 153.1, 155,
156, 157.1, 161; 248/188, 188.1, 188.8;
D34/17

(56) **References Cited**

U.S. PATENT DOCUMENTS

- 2,857,228 A * 10/1958 Koett 108/115
- D246,880 S * 1/1978 Miola D24/183
- D376,931 S * 12/1996 Fewchuk D6/425

- D424,772 S * 5/2000 Mullen D34/17
- D474,356 S * 5/2003 Bosman et al. D6/487

* cited by examiner

Primary Examiner—Janice E. Seeger

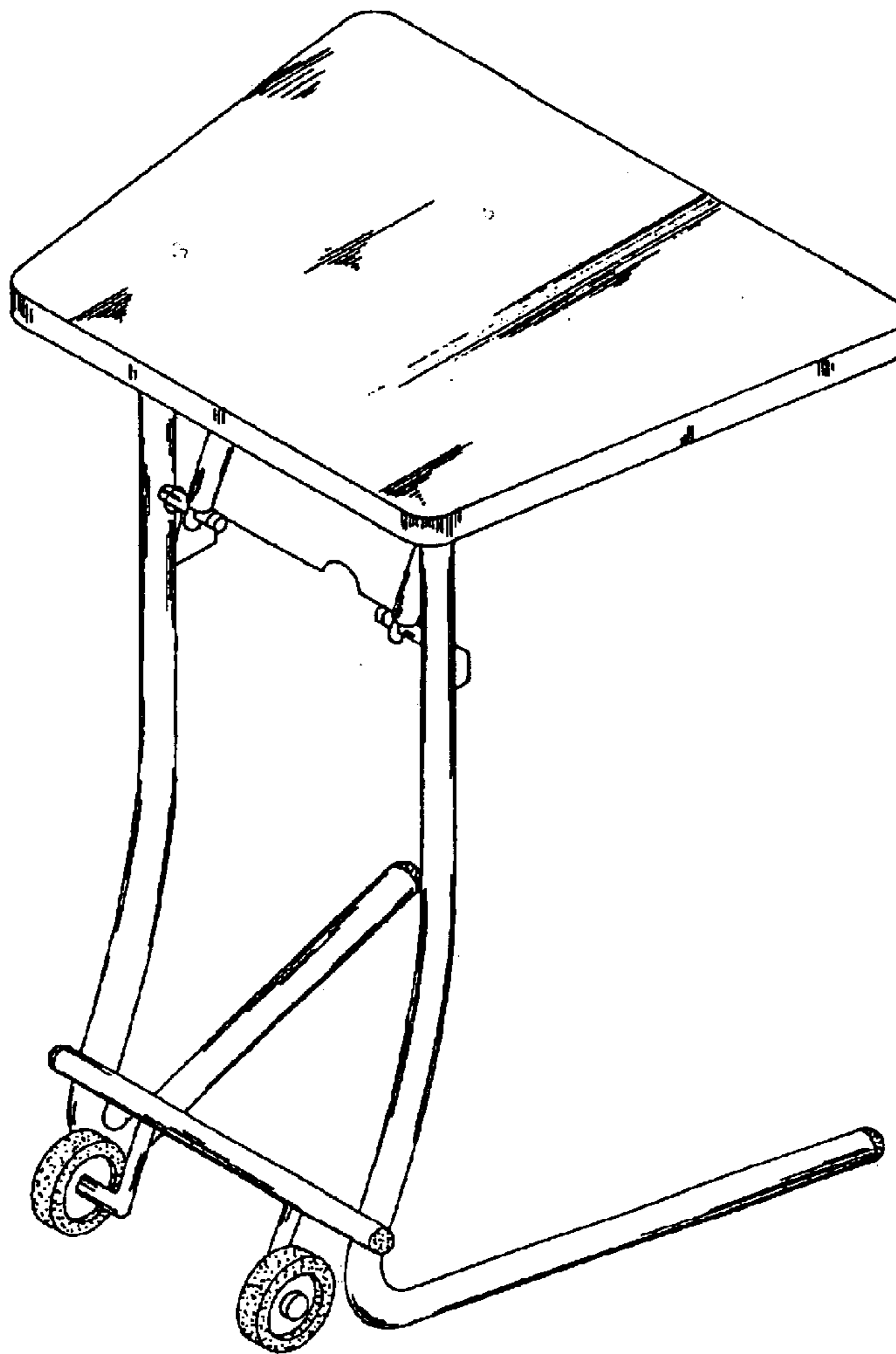
(57) **CLAIM**

The ornamental design for a foldable table, as shown and described.

DESCRIPTION

FIG. 1 is a perspective view of a foldable table showing my design;
FIG. 2 is a front elevational view thereof;
FIG. 3 is a rear elevational view thereof;
FIG. 4 is a left side elevational view thereof;
FIG. 5 is a right side elevational view thereof;
FIG. 6 is a top plan view thereof; and,
FIG. 7 is a bottom plan view thereof.

1 Claim, 7 Drawing Sheets



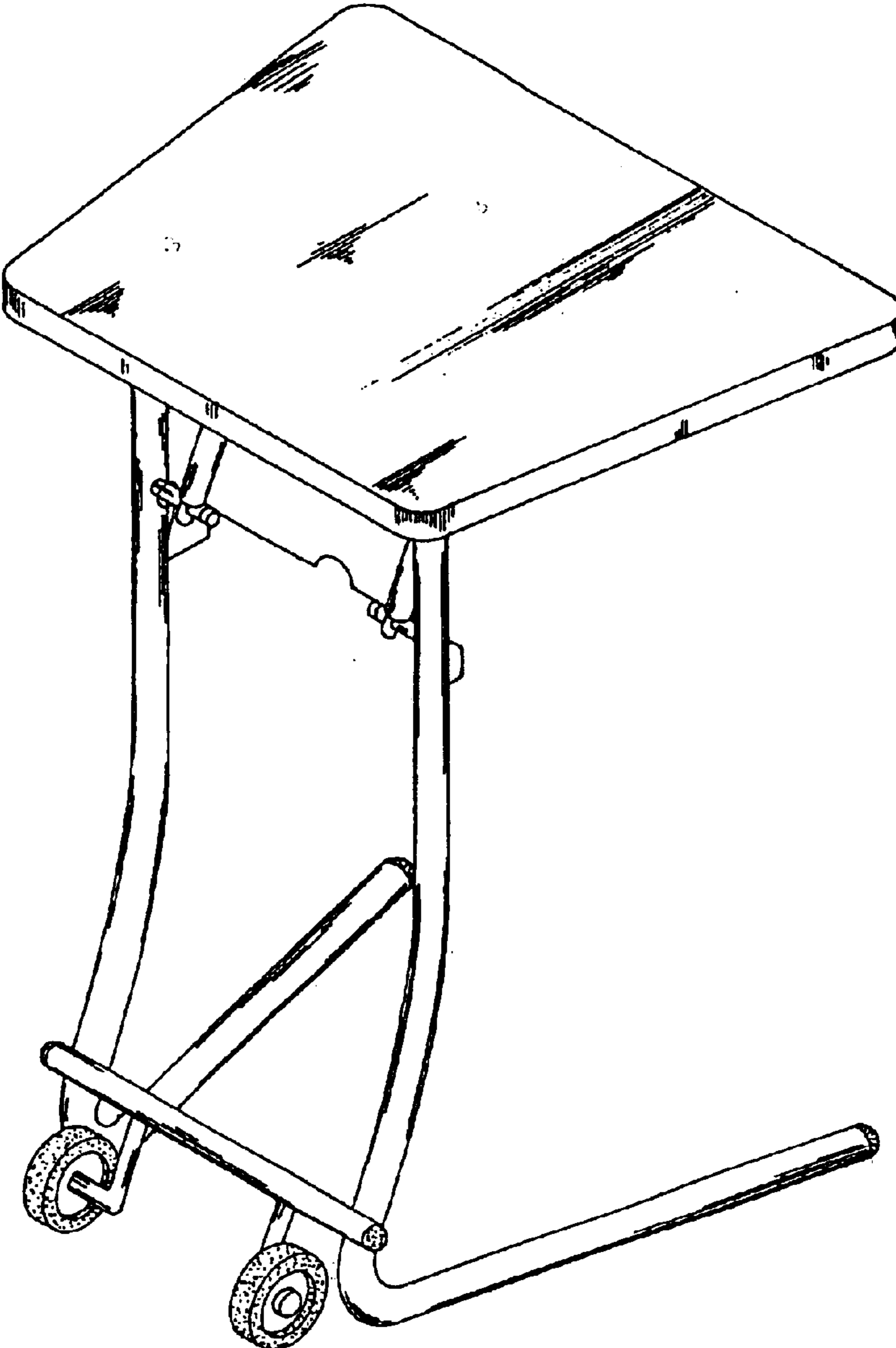


FIG. 1

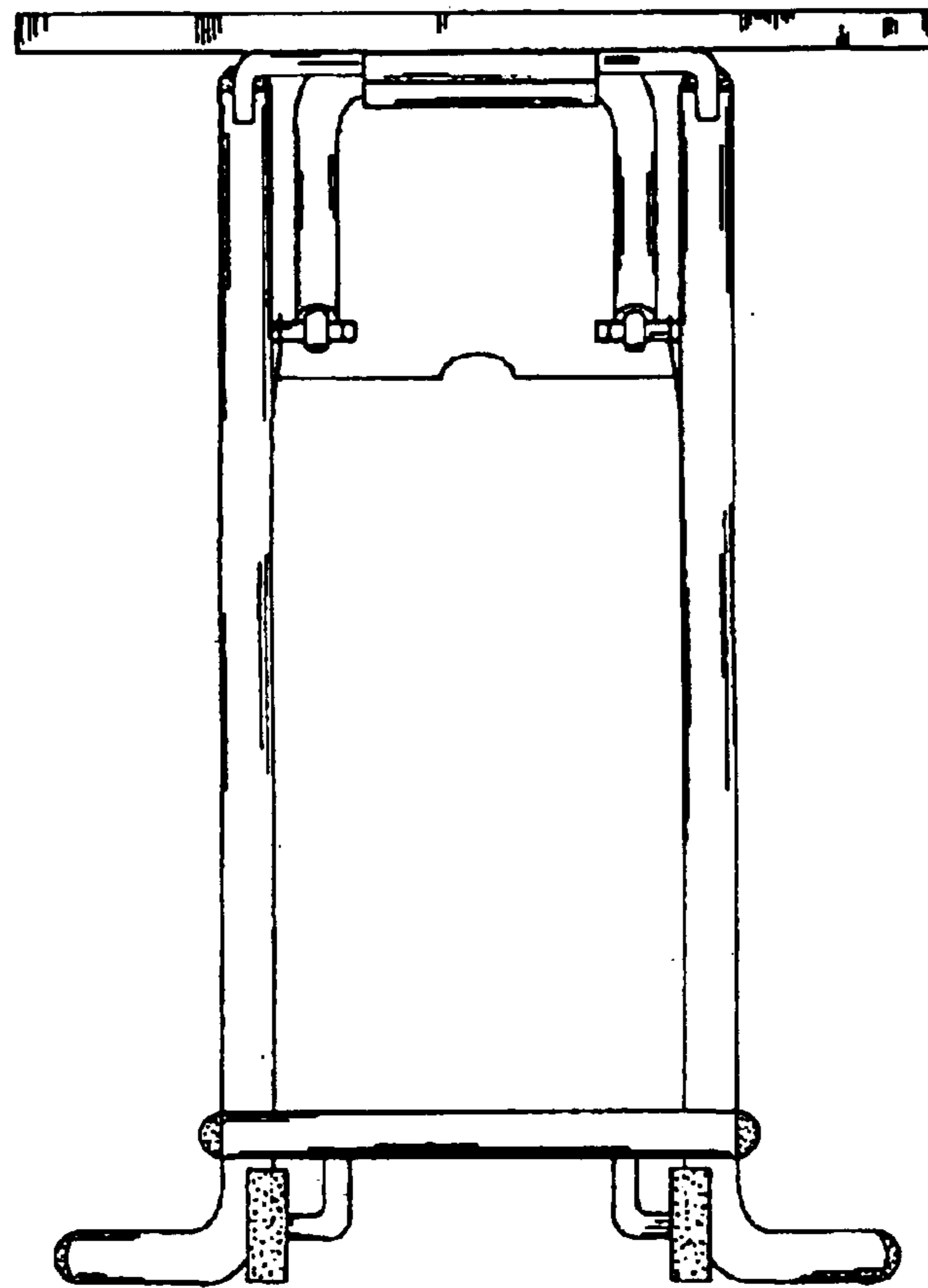


FIG.2

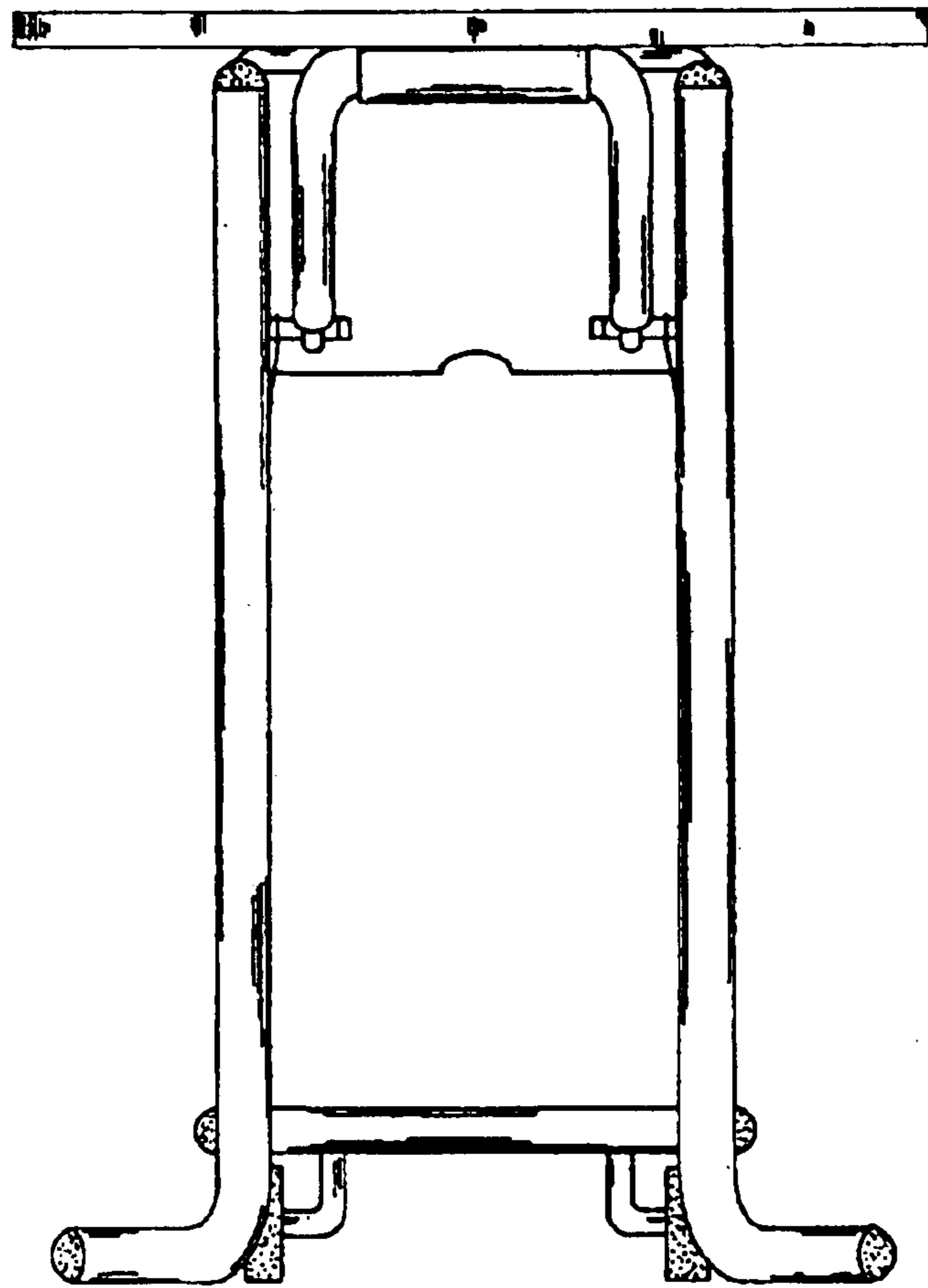


FIG. 3

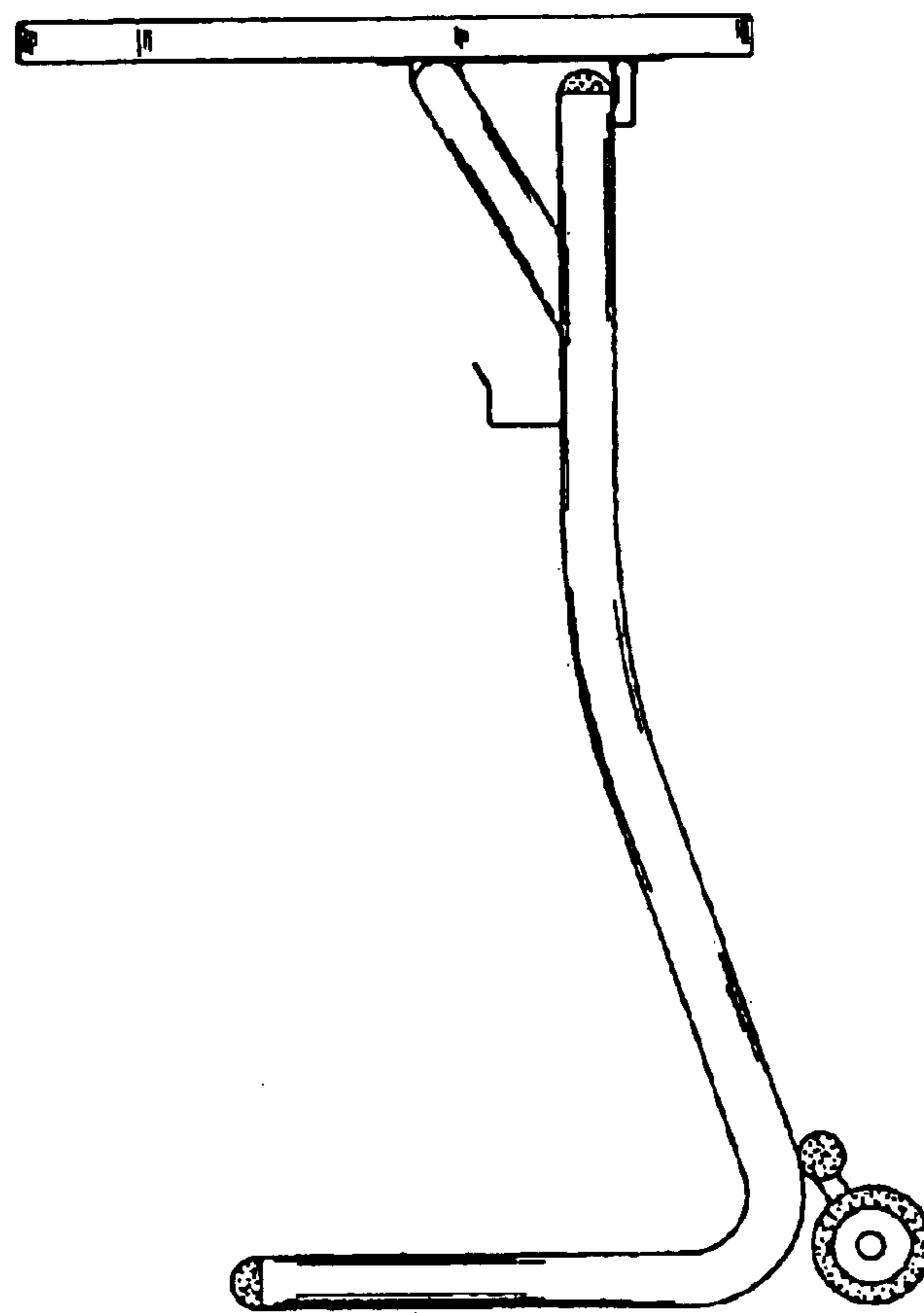


FIG. 4

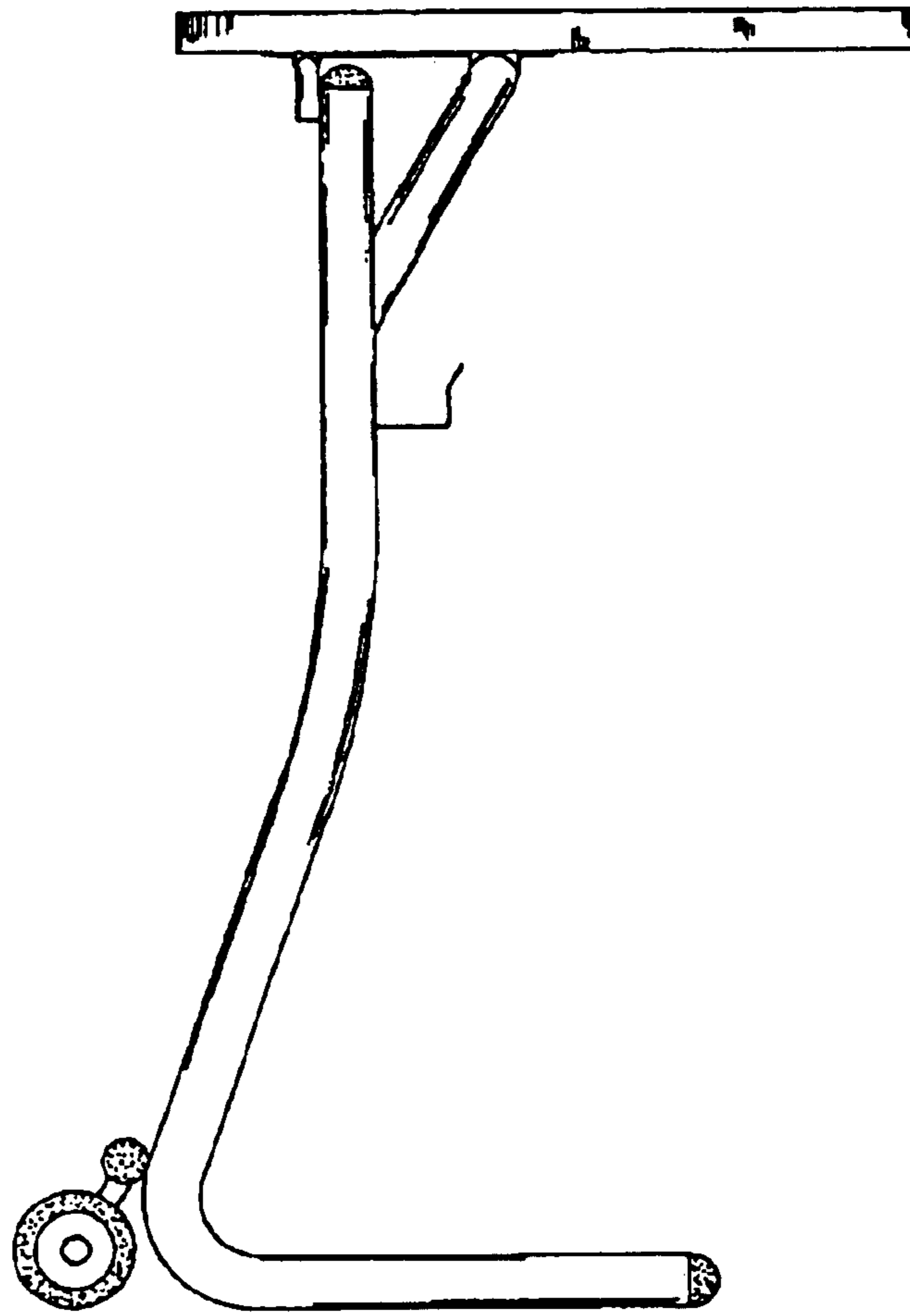


FIG. 5

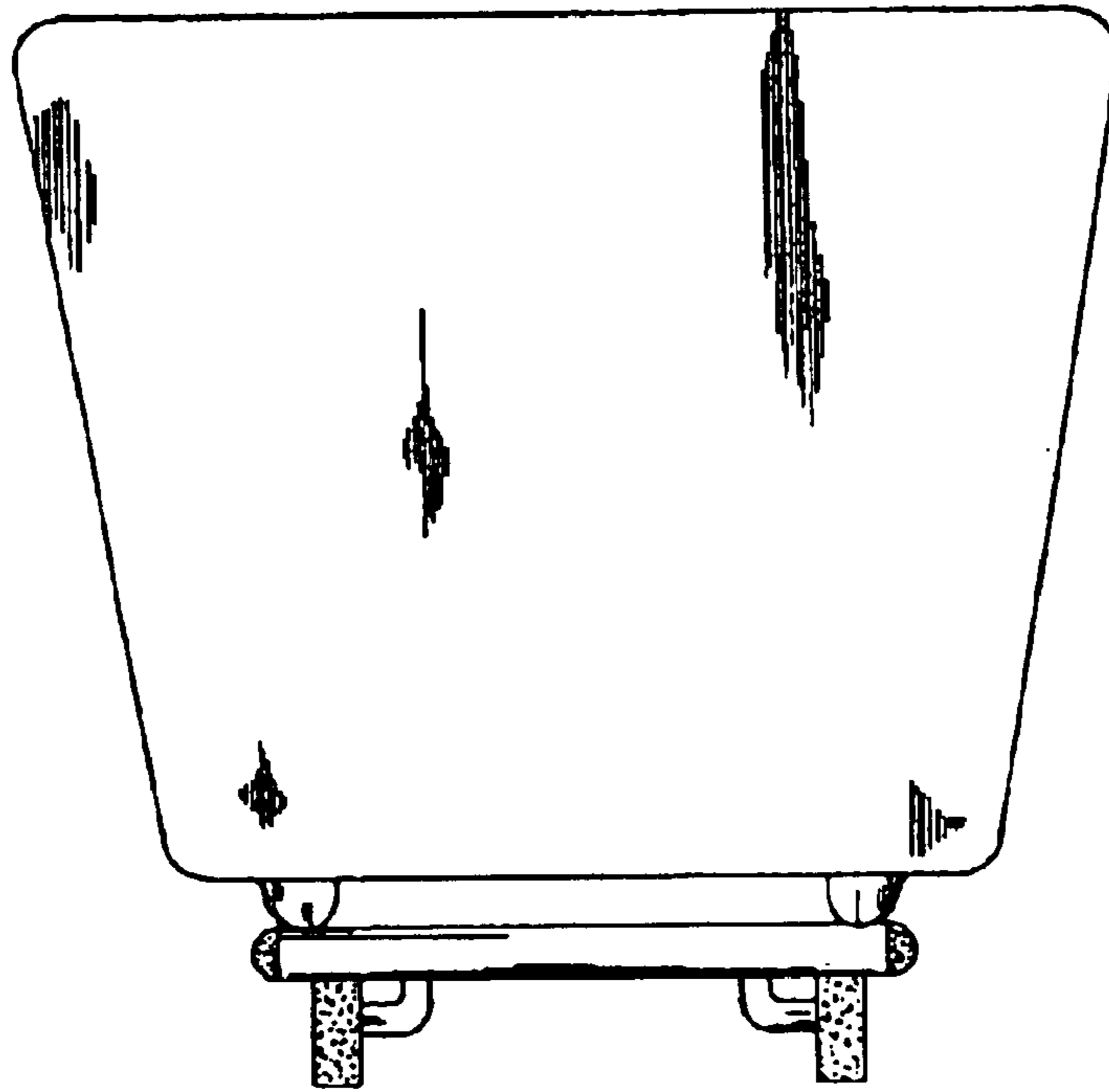


FIG. 6

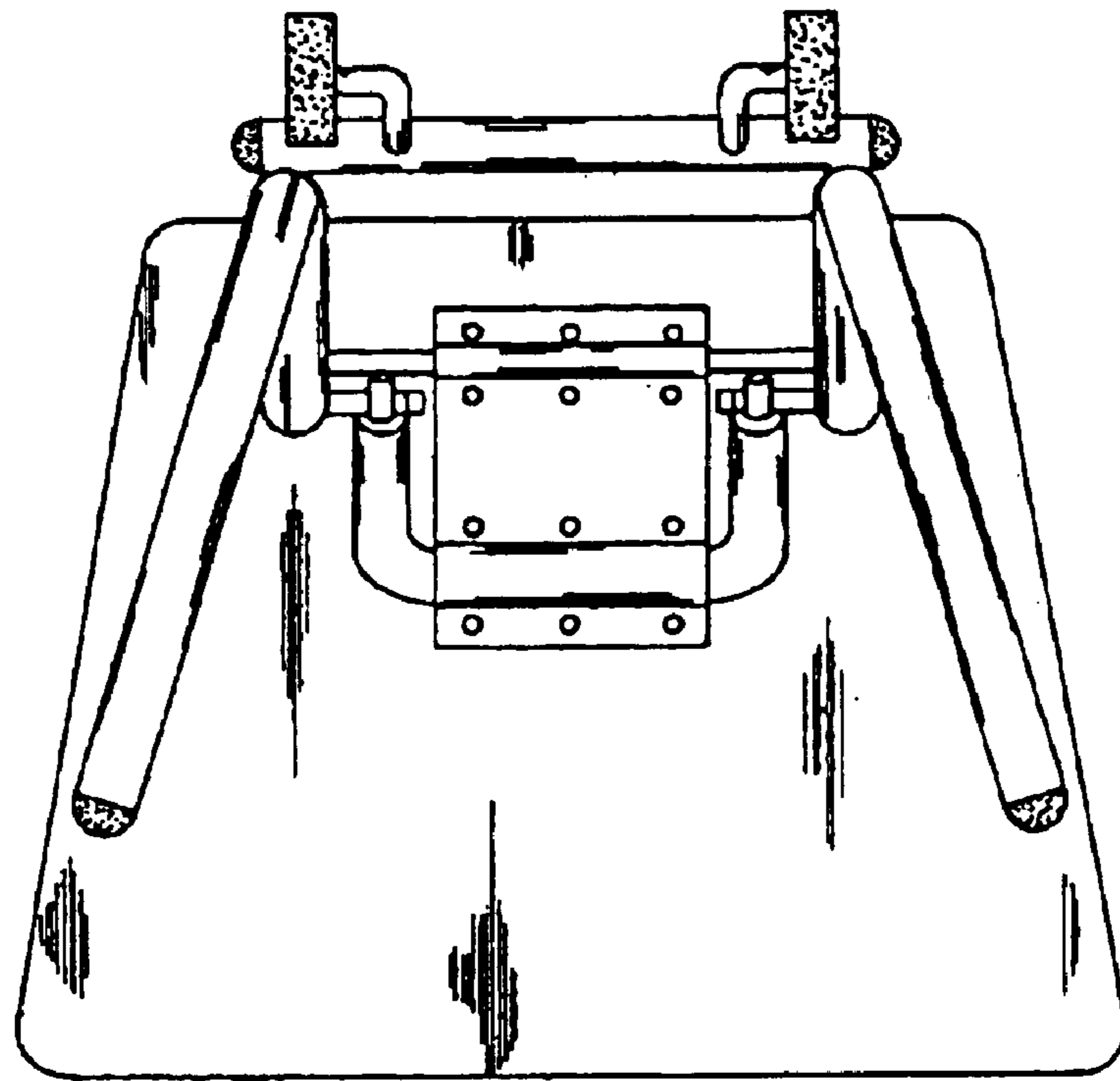


FIG. 7