

US00D501334S

(12) **United States Design Patent**
Suzuki et al.

(10) **Patent No.:** **US D501,334 S**
(45) **Date of Patent:** **** Feb. 1, 2005**

(54) **SEAT**

(75) Inventors: **Masaru Suzuki**, Brooklyn, NY (US);
Jennifer Hutton, New York, NY (US)

(73) Assignee: **Donghia Furniture/Textiles Ltd.**, New York, NY (US)

(**) Term: **14 Years**

(21) Appl. No.: **29/200,286**

(22) Filed: **Feb. 26, 2004**

(51) **LOC (7) Cl.** **06-01**

(52) **U.S. Cl.** **D6/369**

(58) **Field of Search** D6/334, 335, 360,
D6/374, 379, 380, 500-502; 297/445.1,
446.1, 451.9, 452.64

(56) **References Cited**

U.S. PATENT DOCUMENTS

| | | | | | |
|------------|---|---------|-----------------|-------|--------|
| D167,419 S | * | 8/1952 | Pechnikoff | | D6/334 |
| D325,677 S | * | 4/1992 | Fong | | D6/369 |
| D333,733 S | * | 3/1993 | Sammons | | D6/334 |
| D401,074 S | * | 11/1998 | Hutton | | D6/334 |
| D412,069 S | * | 7/1999 | Schwartz et al. | | D6/369 |
| D477,720 S | * | 7/2003 | Diaz-Azcuy | | D6/369 |
| D478,429 S | * | 8/2003 | Caldwell | | D6/369 |

OTHER PUBLICATIONS

Tear Sheet for Cubana Occasional Chair, No. 70013, by Donghia, published 2000.

* cited by examiner

Primary Examiner—Gary D. Watson

(74) *Attorney, Agent, or Firm*—Heslin Rothernberg Farley & Mesiti P.C.

(57) **CLAIM**

The ornamental design for the seat, as shown and described.

DESCRIPTION

FIG. 1 is a perspective view of a seat in accordance with the new design;

FIG. 2 is a top view thereof;

FIG. 3 is a front view thereof;

FIG. 4 is a side view thereof;

FIG. 5 is a back view thereof;

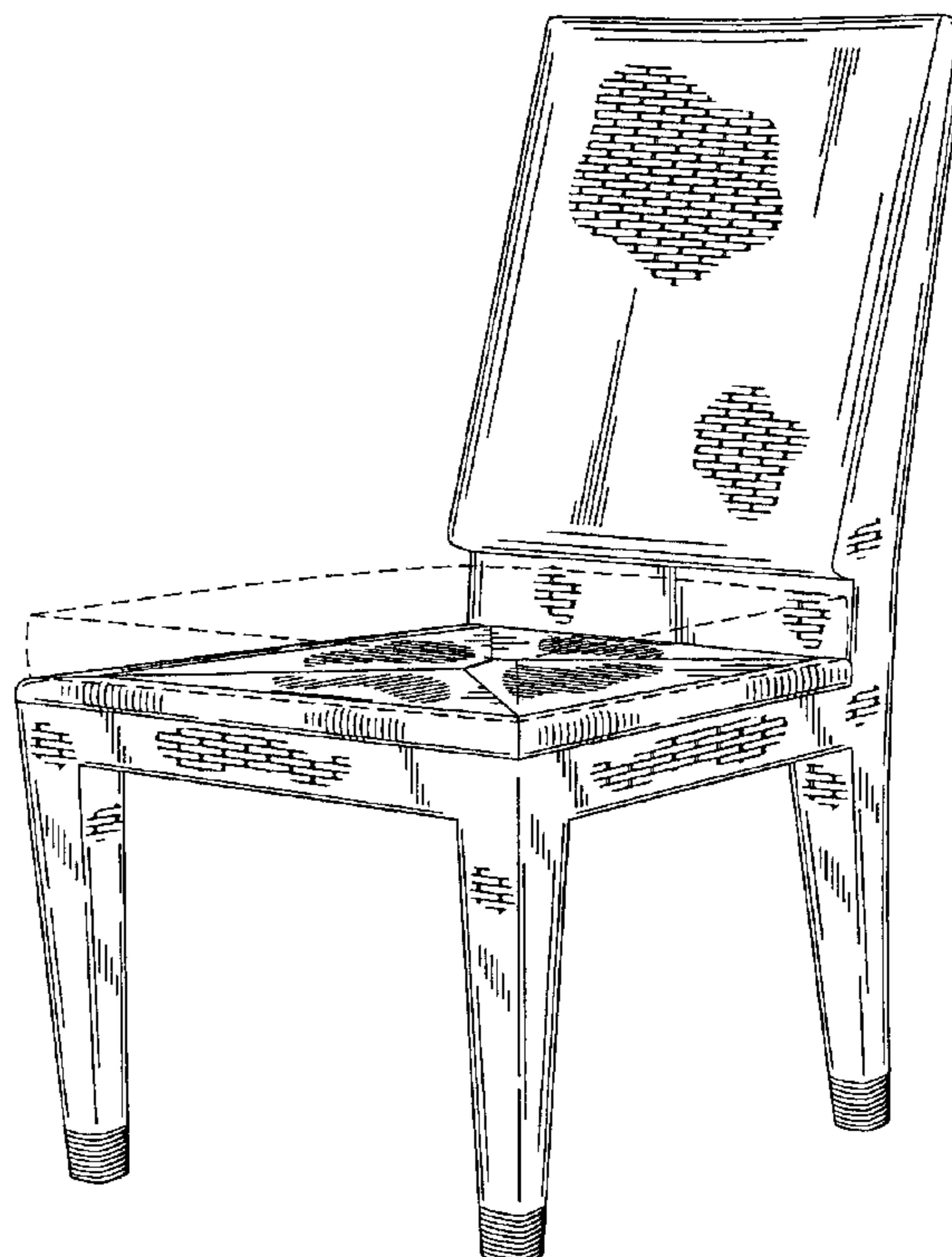
FIG. 6 is a side view of an alternative embodiment of said new design showing legs broken away for indeterminate length; and,

FIG. 7 is a perspective view of an alternative embodiment of said new design.

The fragmented depictions of weave patterns shown in the views are understood to repeat uniformly throughout the circumscribed areas.

The broken lines in the figures are for illustrative purposes only and form no part of the claimed invention.

1 Claim, 7 Drawing Sheets



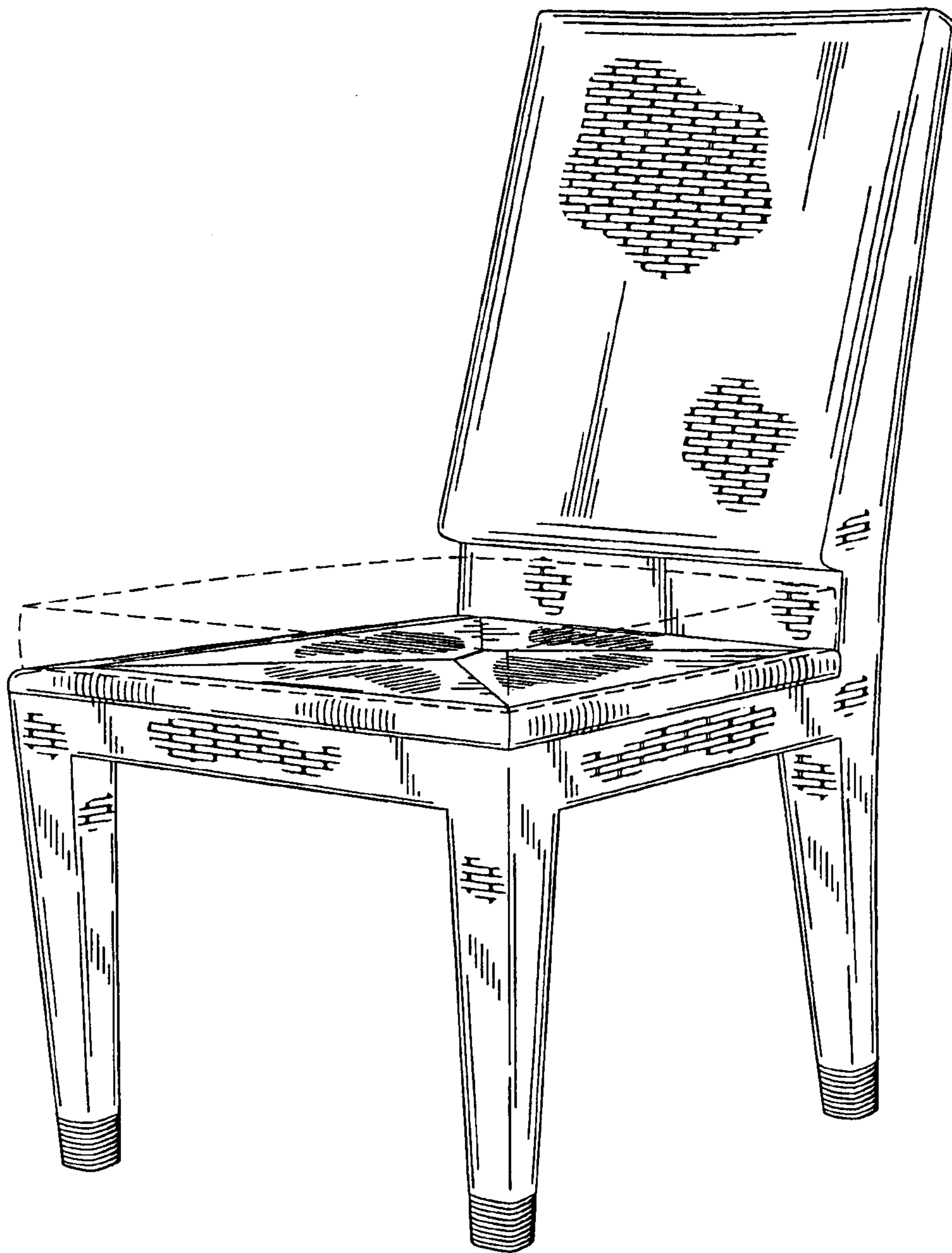


FIG. 1

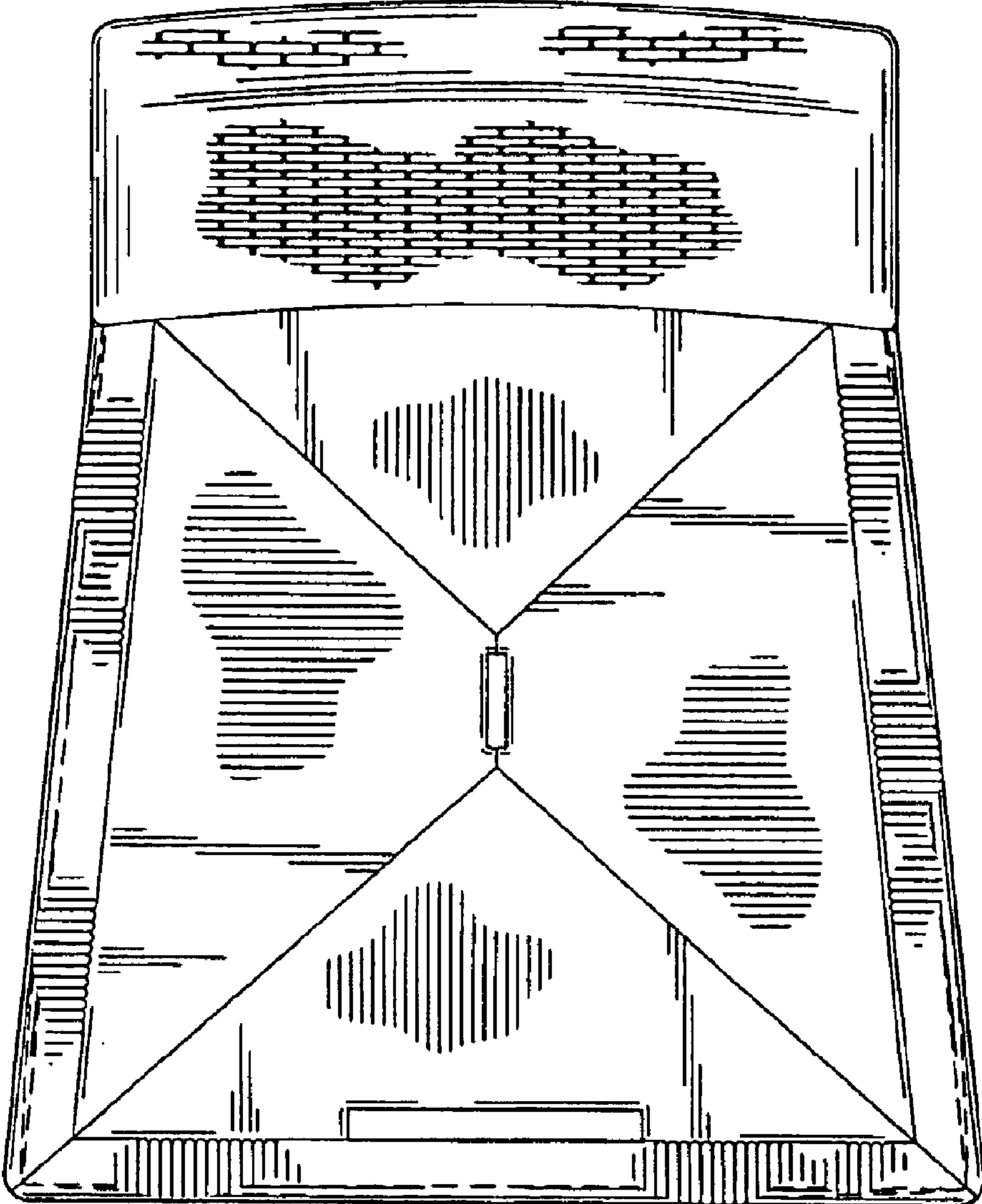


FIG. 2

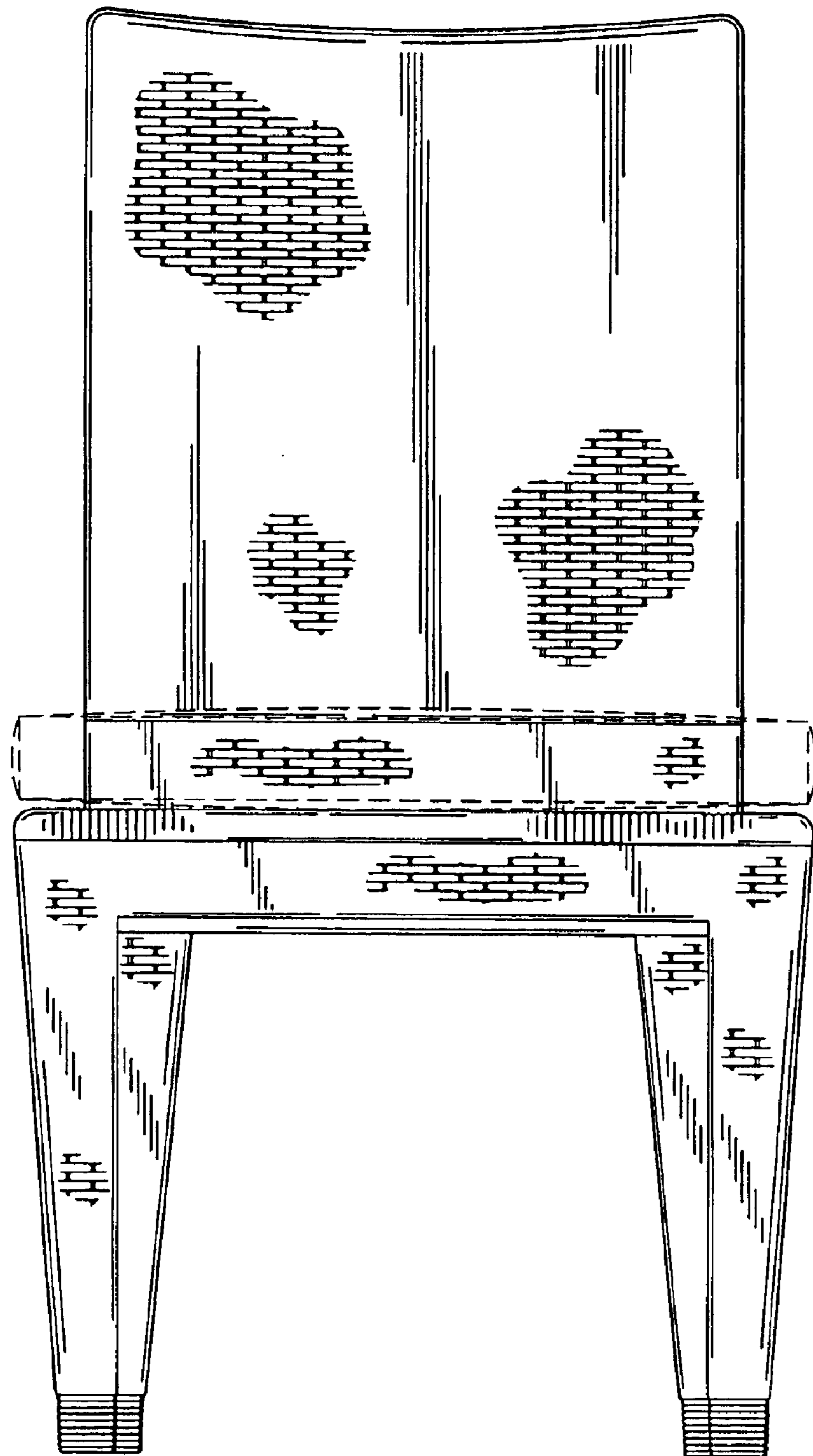


FIG. 3

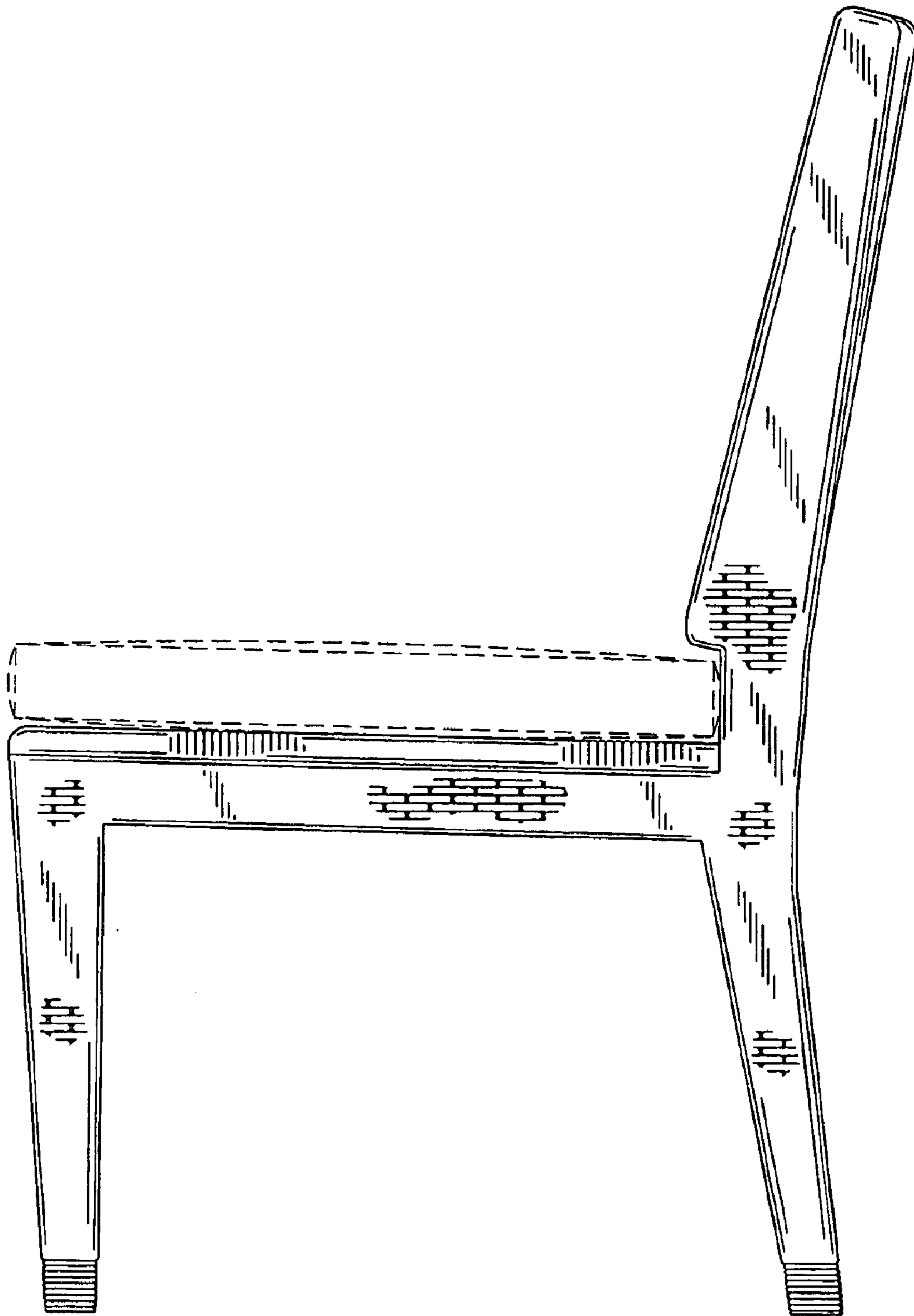


FIG. 4

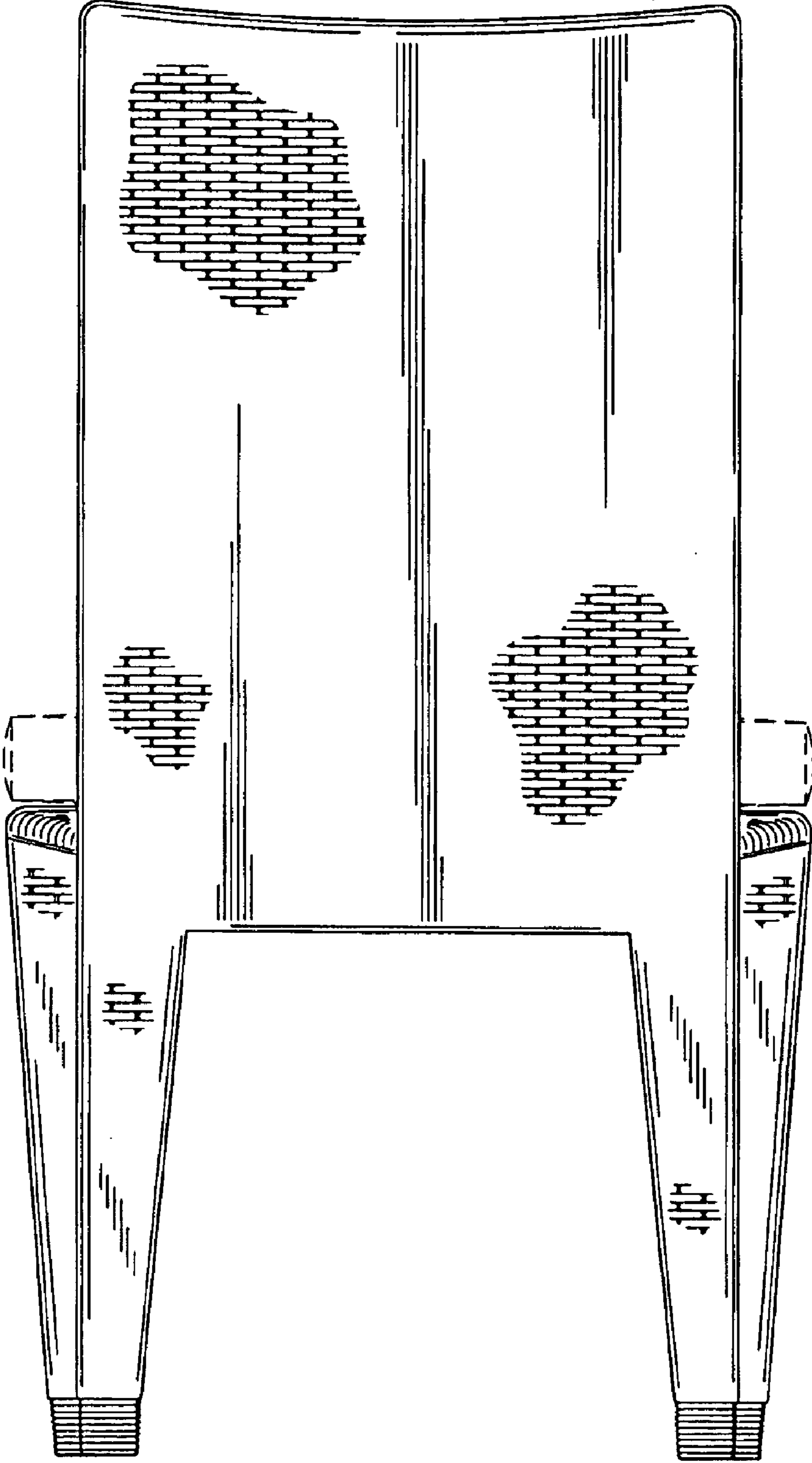


FIG. 5

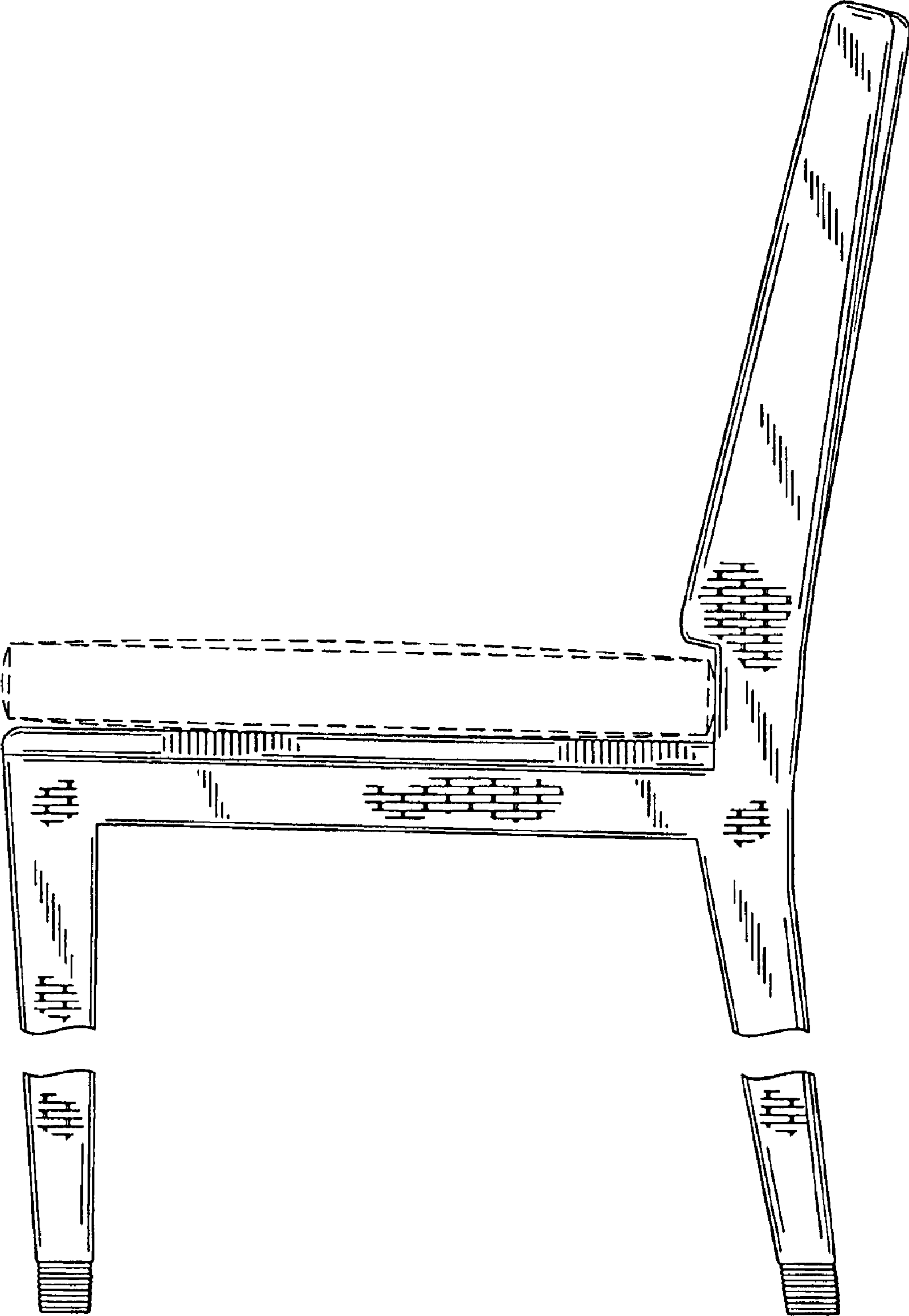


FIG. 6

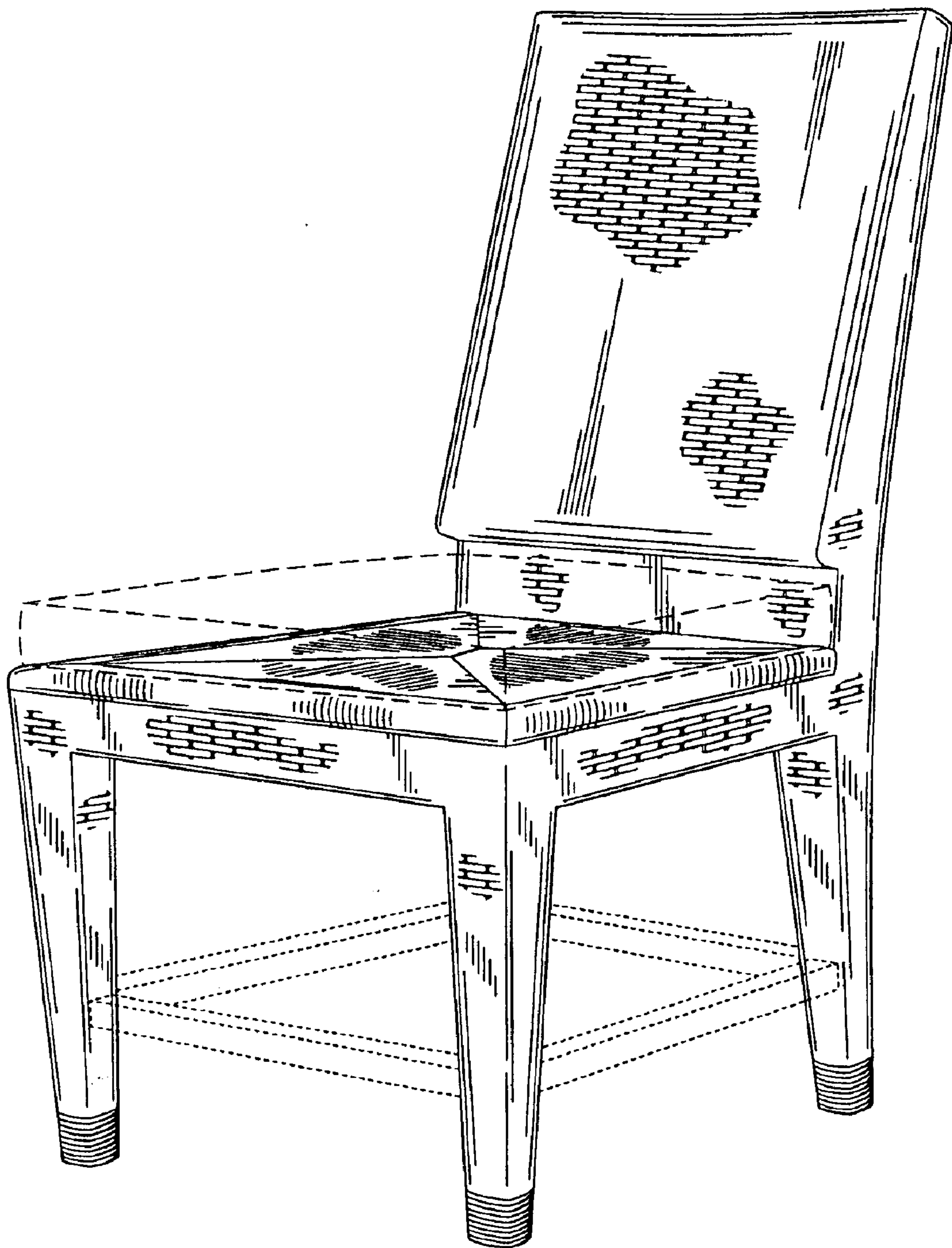


FIG. 7