

US00D501333S

(12) **United States Design Patent**
Piretti

(10) **Patent No.:** **US D501,333 S**

(45) **Date of Patent:** **** Feb. 1, 2005**

(54) **CHAIR**

(75) **Inventor:** **Giancarlo Piretti**, Bologna (IT)

(73) **Assignee:** **Pro Cord S.p.A.**, Bologna (IT)

(**) **Term:** **14 Years**

(21) **Appl. No.:** **29/179,736**

(22) **Filed:** **Apr. 14, 2003**

(51) **LOC (7) Cl.** **06-01**

(52) **U.S. Cl.** **D6/366; D6/500**

(58) **Field of Search** **D6/334, 335, 364,**
D6/365, 366, 367, 500, 501, 502; 297/411.2,
411.27, 411.36

(56) **References Cited**

U.S. PATENT DOCUMENTS

D399,664 S	*	10/1998	Goodworth et al.	D6/366
D408,161 S	*	4/1999	Caruso	D6/366
D410,342 S	*	6/1999	Dammermann et al.	D6/366
D414,349 S	*	9/1999	Jenkins et al.	D6/366
D416,407 S	*	11/1999	Baumann et al.	D6/500
D433,834 S	*	11/2000	Neil	D6/366

D434,918 S	*	12/2000	Arko et al.	D6/366
D437,701 S	*	2/2001	Bellini et al.	D6/366
D442,790 S	*	5/2001	Simons et al.	D6/366
D444,638 S	*	7/2001	Magnusson et al.	D6/366
D448,220 S	*	9/2001	Beaulieu	D6/500
D486,656 S	*	2/2004	Su	D6/366

* cited by examiner

Primary Examiner—Gary D. Watson

(74) *Attorney, Agent, or Firm*—Boyle, Fredrickson, Newholm, Stein & Gratz, S.C.

(57) **CLAIM**

The ornamental design of a chair, as shown and described.

DESCRIPTION

FIG. 1 is a right side elevational view of a chair showing my new design;

FIG. 2 is a left side elevational view thereof;

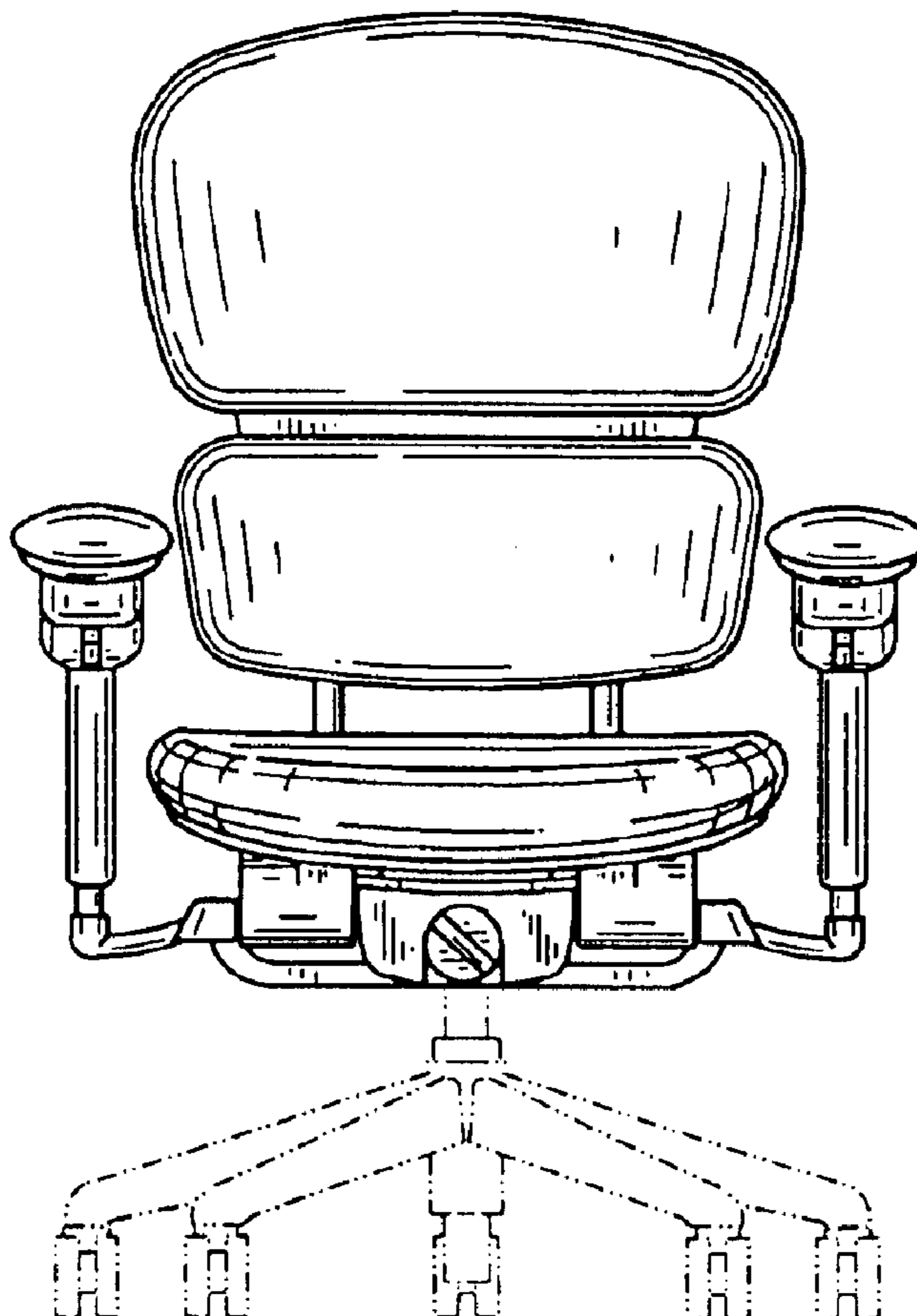
FIG. 3 is a front elevational view thereof;

FIG. 4 is a rear elevational view thereof; and,

FIG. 5 is a top plan view thereof.

The broken line showing of a support base is for illustrative purposes only and forms no part of the claimed design.

1 Claim, 3 Drawing Sheets



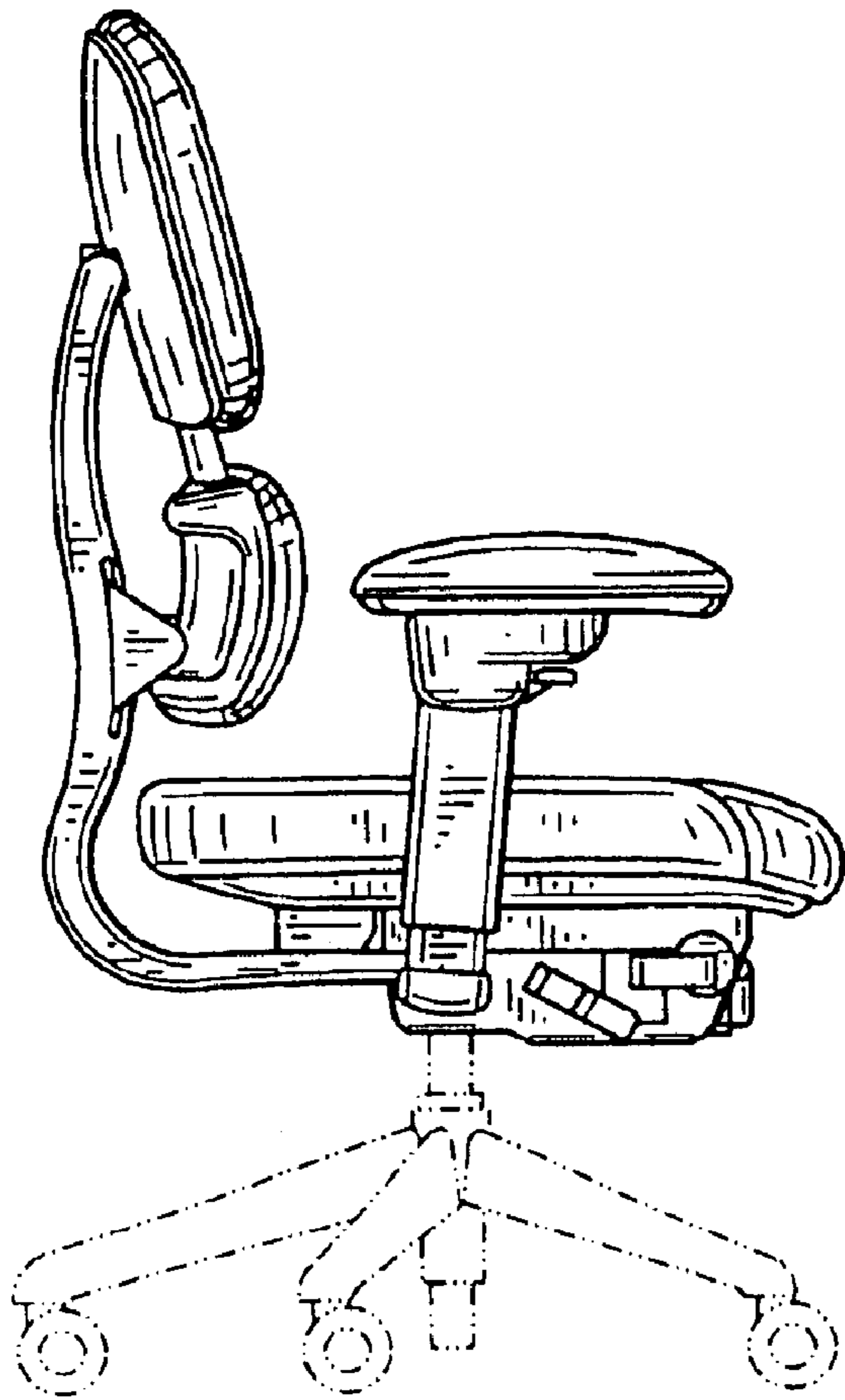


FIG. 1

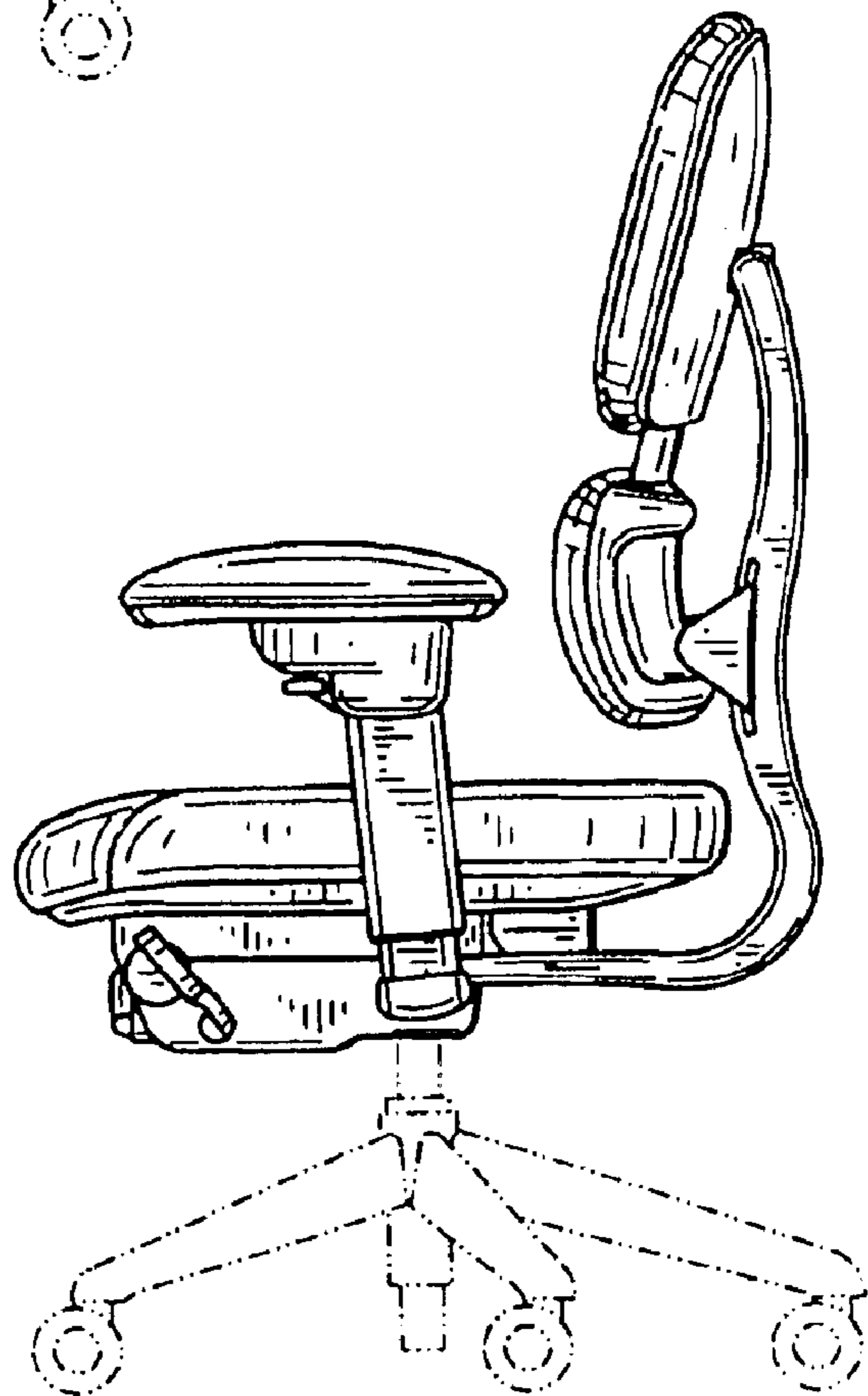


FIG. 2

FIG. 3

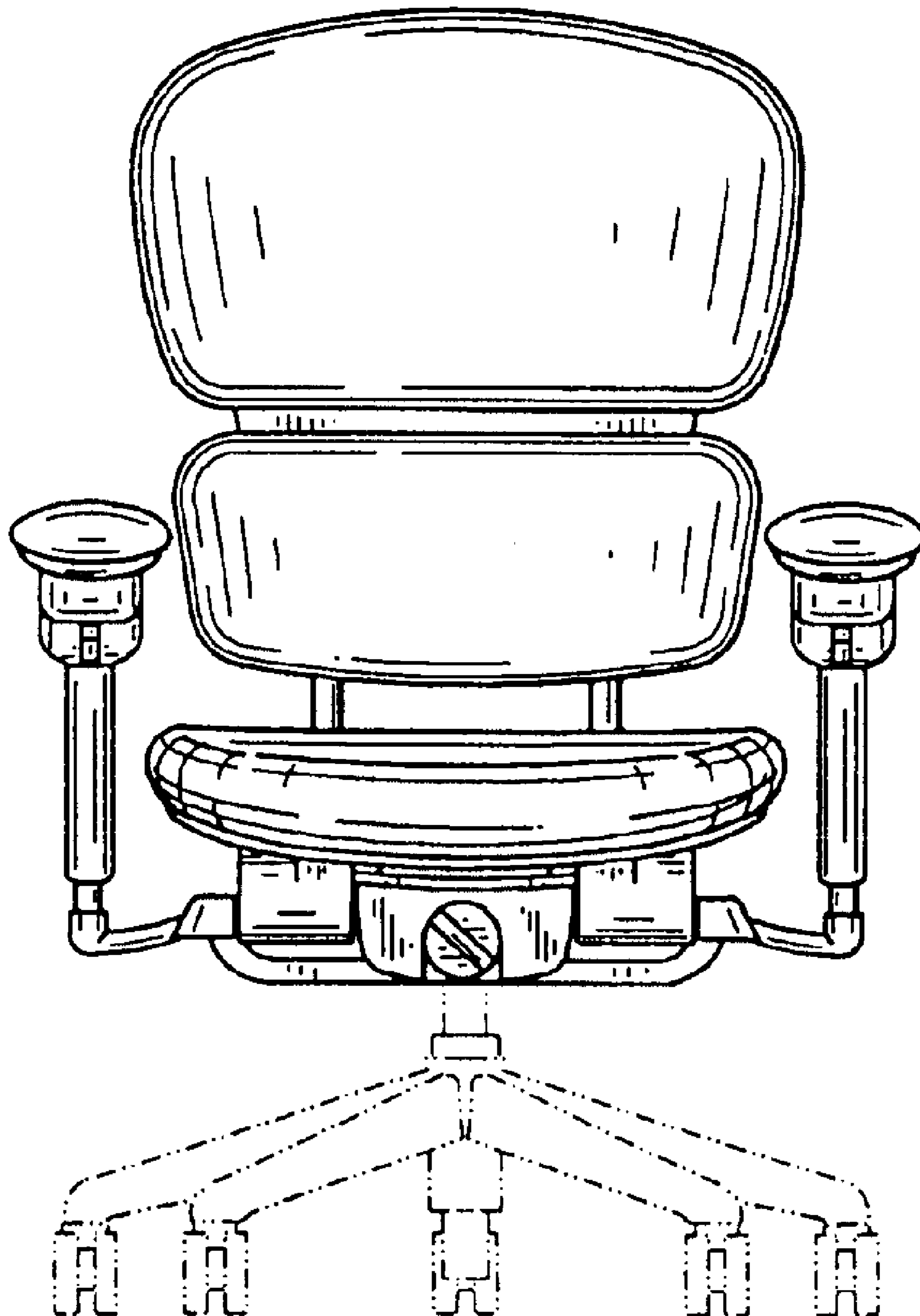


FIG. 4

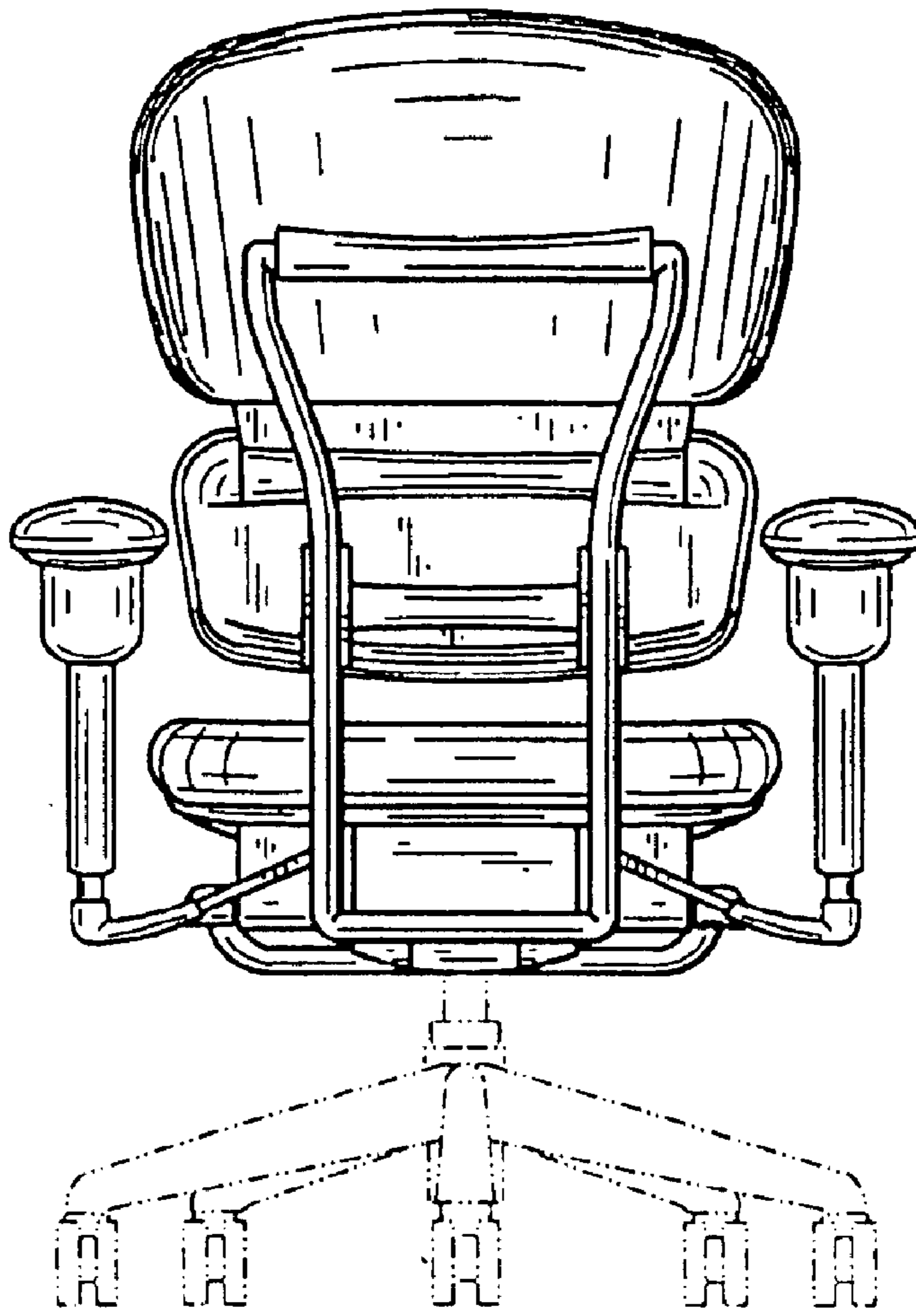


FIG. 5

