

US00D501331S

(12) **United States Design Patent**
Chen

(10) **Patent No.:** **US D501,331 S**

(45) **Date of Patent:** **** Feb. 1, 2005**

(54) **SOFA**

(75) **Inventor:** **Geoffrey Chen, Taipei (TW)**

(73) **Assignee:** **Sun Jeff Industrial Corp., Taipei (TW)**

(**) **Term:** **14 Years**

(21) **Appl. No.:** **29/206,249**

(22) **Filed:** **May 28, 2004**

(51) **LOC (7) Cl. 06-01**

(52) **U.S. Cl. D6/336**

(58) **Field of Search** D6/334-336, 361,
D6/364, 371, 374, 375, 381, 492, 500-502;
297/218.1, 232, 445.1, 446.1; 5/12.1, 12.2

(56) **References Cited**

U.S. PATENT DOCUMENTS

D244,069 S	*	4/1977	Summer	D6/371
D263,770 S	*	4/1982	Melchior	D6/334
D266,715 S	*	11/1982	Tiffany, III	D6/381
D270,212 S	*	8/1983	Secon	D6/361
D310,143 S	*	8/1990	Hopfer	D6/381
D392,470 S	*	3/1998	Smith	D6/334
D448,580 S	*	10/2001	Carlson	D6/336

D473,723 S	*	4/2003	Pesso	D6/334
D487,984 S	*	4/2004	Natuzzi	D6/361

* cited by examiner

Primary Examiner—Stacia Cadmus

Assistant Examiner—Mimosa De

(74) *Attorney, Agent, or Firm*—Troxell Law Office PLLC

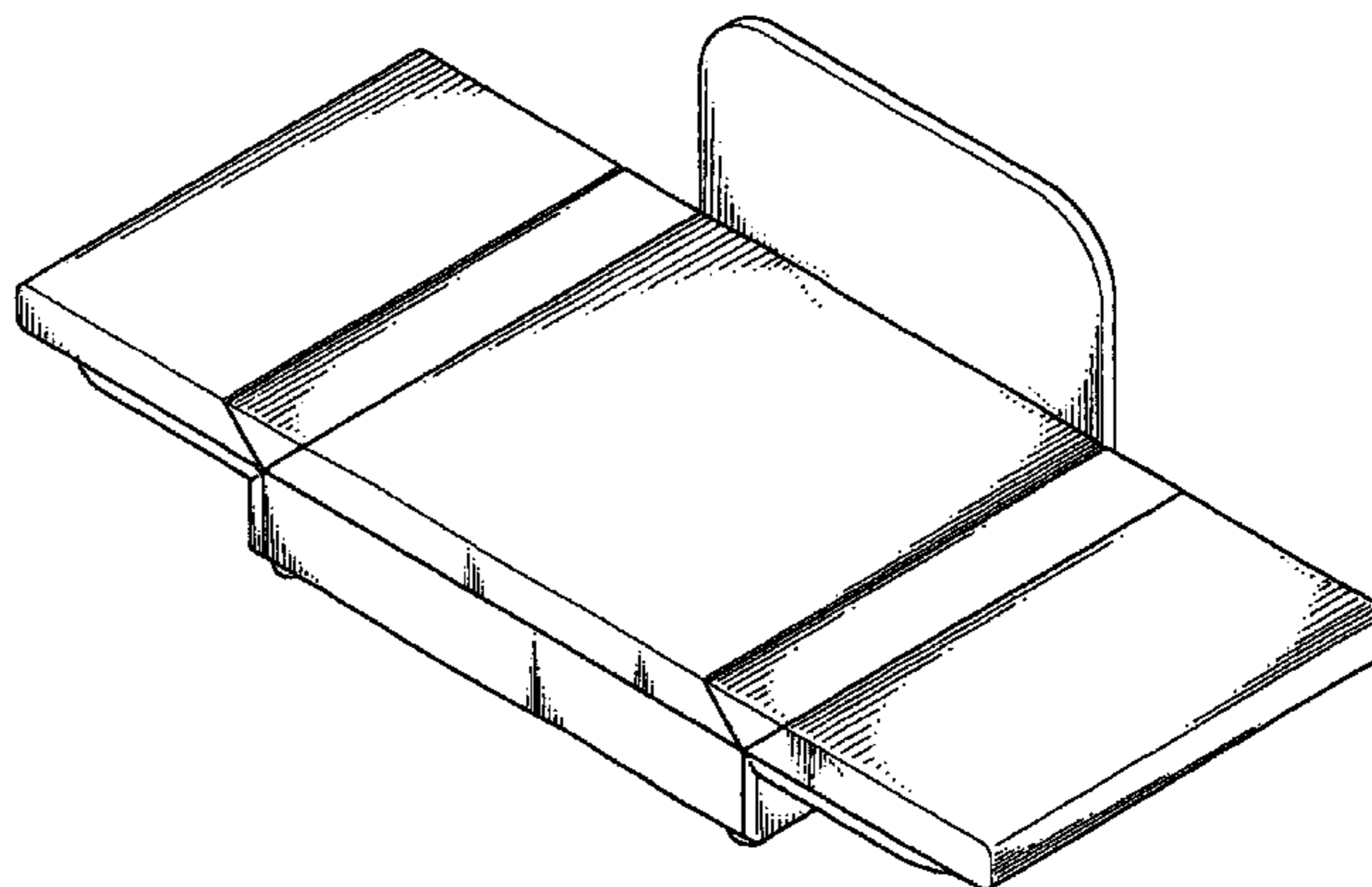
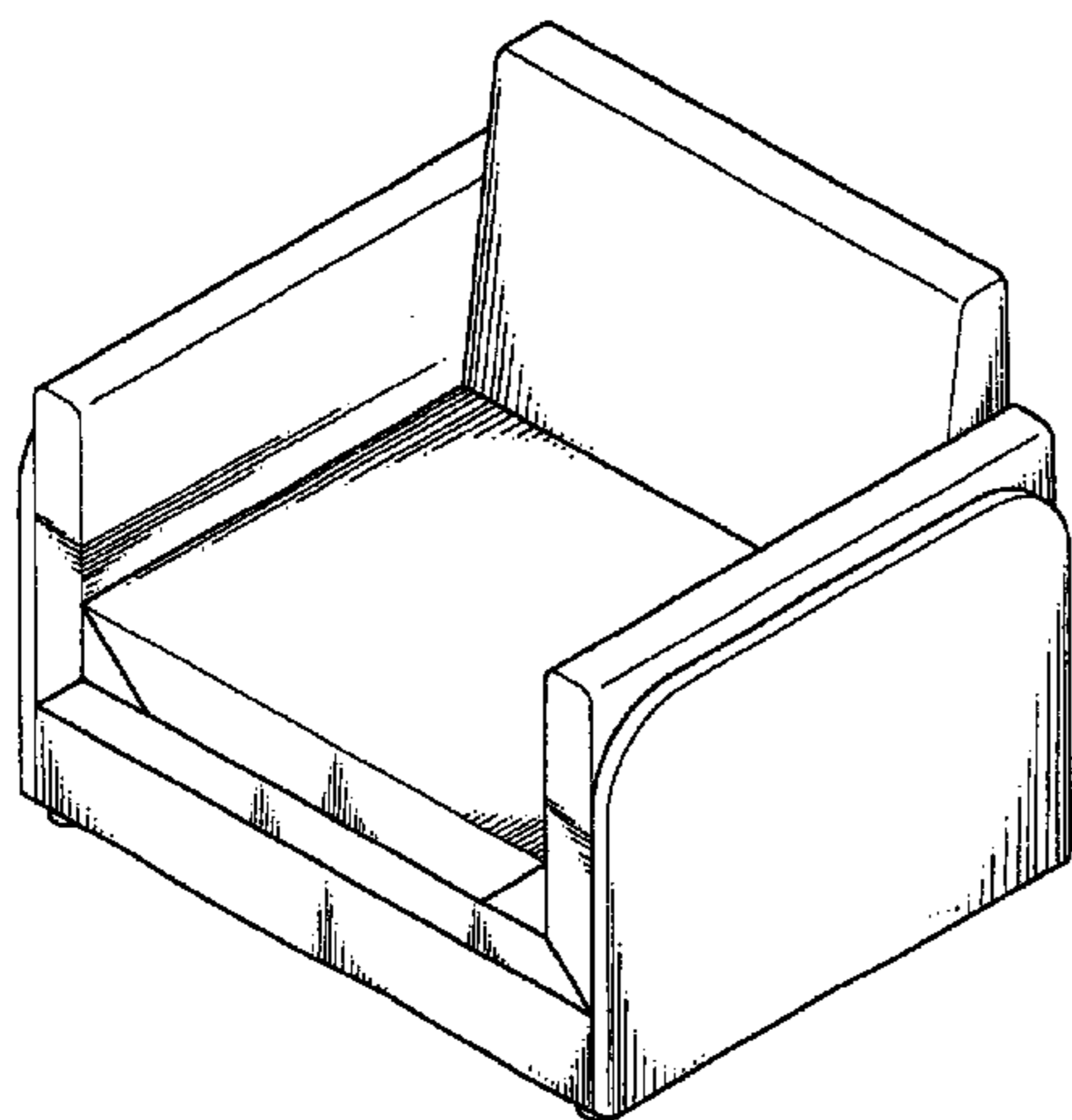
(57) **CLAIM**

The ornamental design for a sofa, as shown and described.

DESCRIPTION

FIG. 1 is a front elevational view of sofa showing my design;
 FIG. 2 is a left side view thereof;
 FIG. 3 is a top elevational view thereof;
 FIG. 4 is a bottom elevational view thereof;
 FIG. 5 is a rear elevational view thereof;
 FIG. 6 is a right side view thereof;
 FIG. 7 is a perspective view thereof;
 FIG. 8 is a perspective view in an alternate position with
 backrest and seat cushion removed; and,
 FIG. 9 is another perspective view showing another alternate
 position with backrest cushion, seat cushion, and one piece
 of the side prism shaped cushions removed.

1 Claim, 6 Drawing Sheets



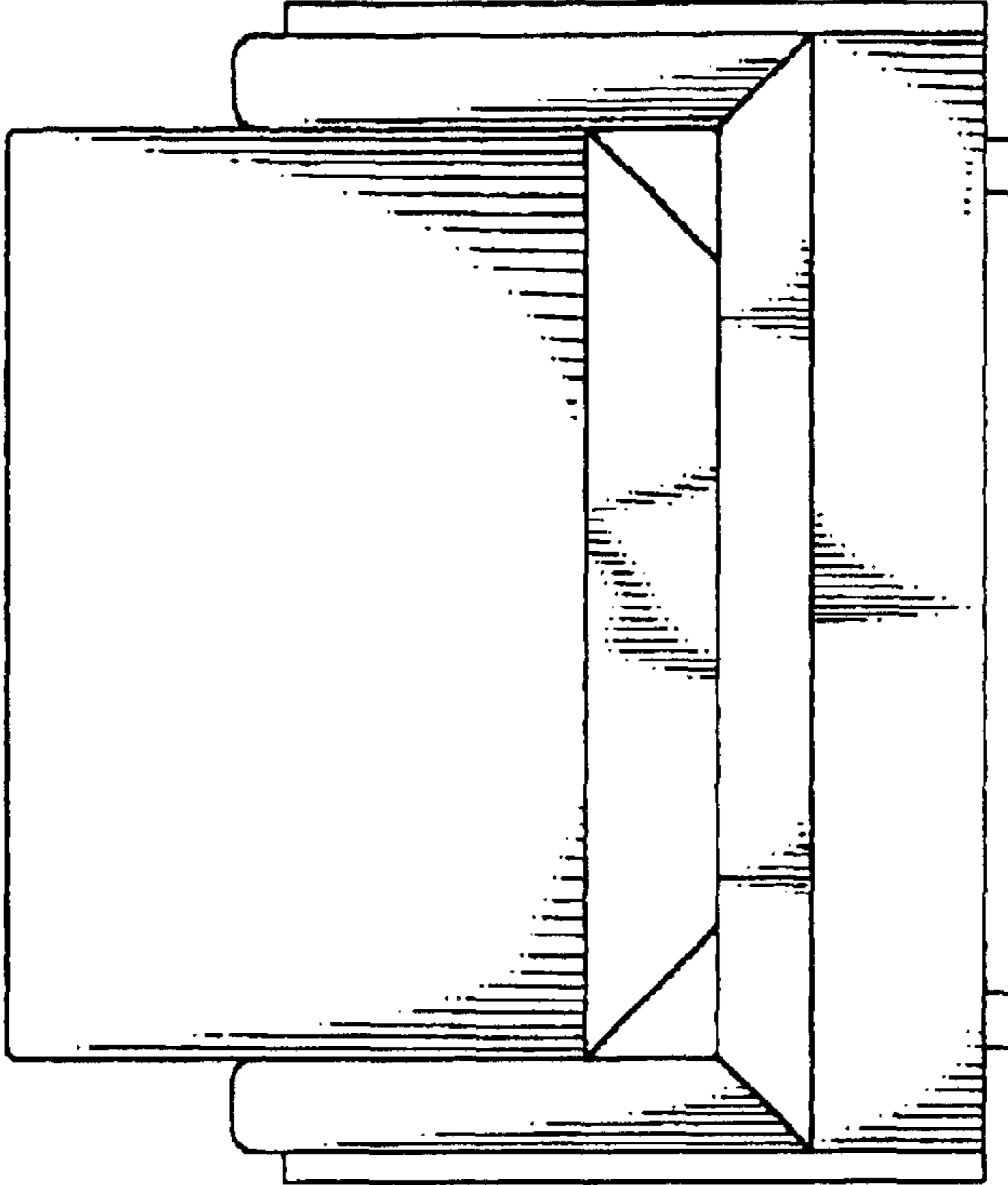


FIG. 1

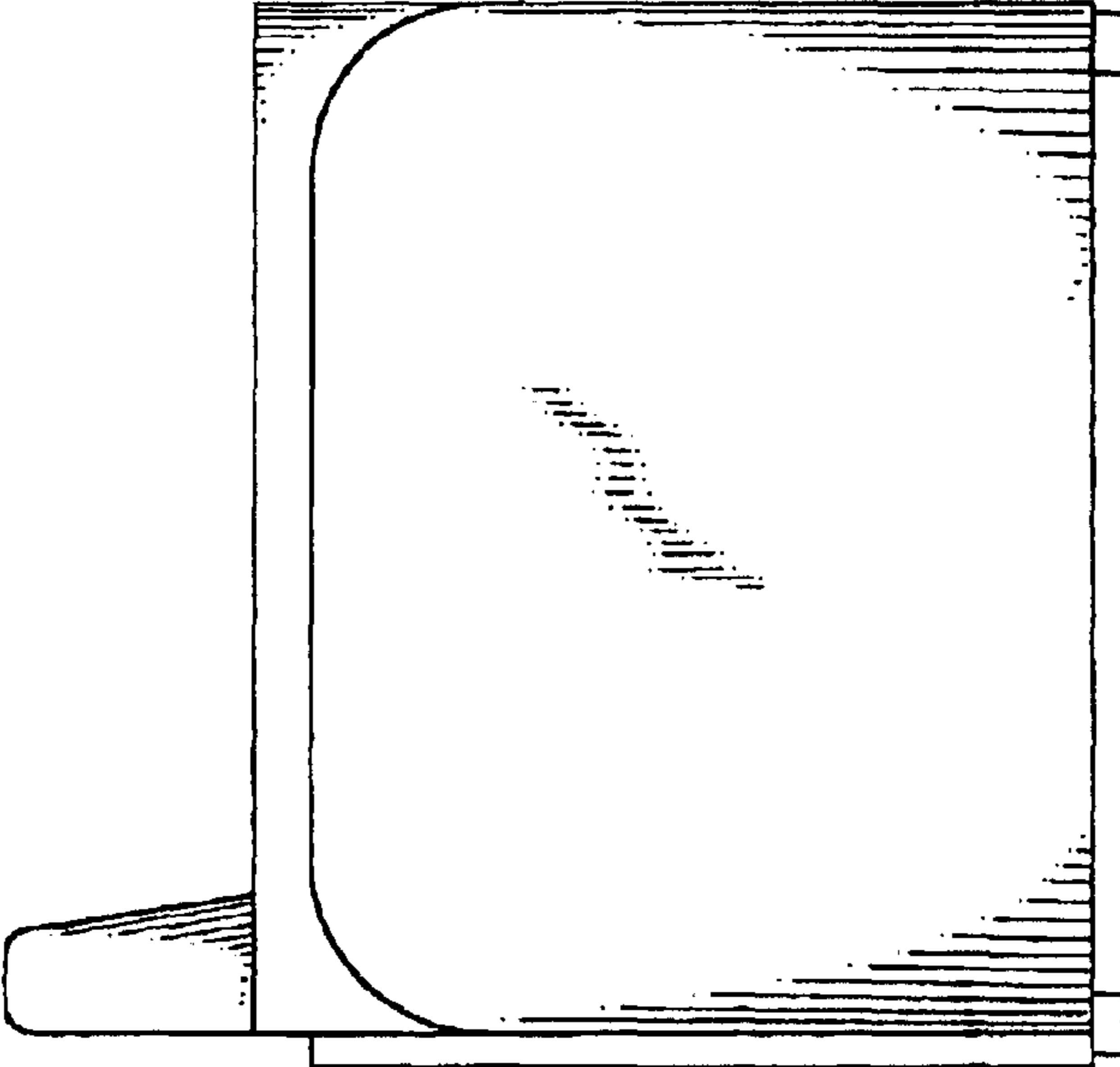


FIG. 2

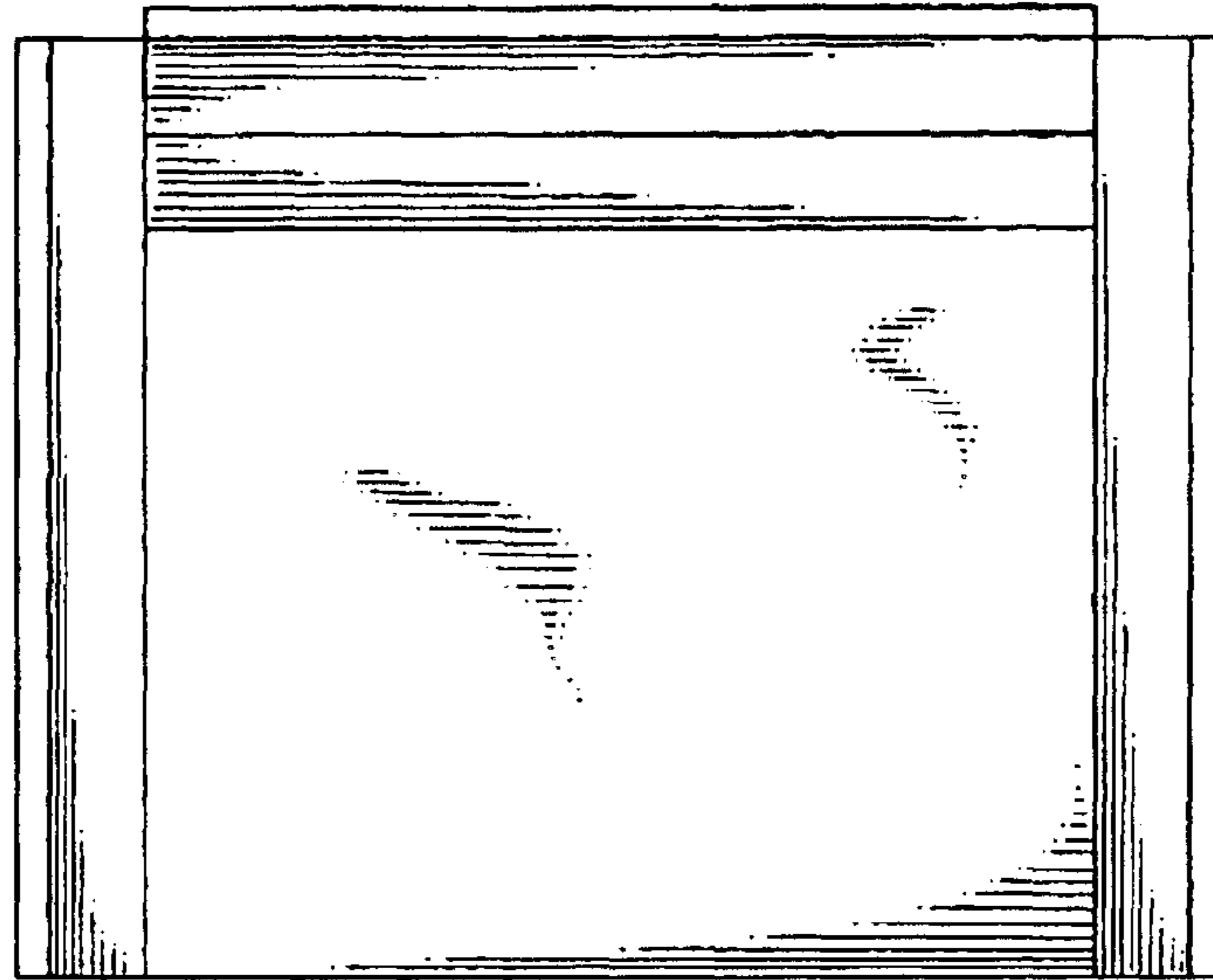


FIG. 3

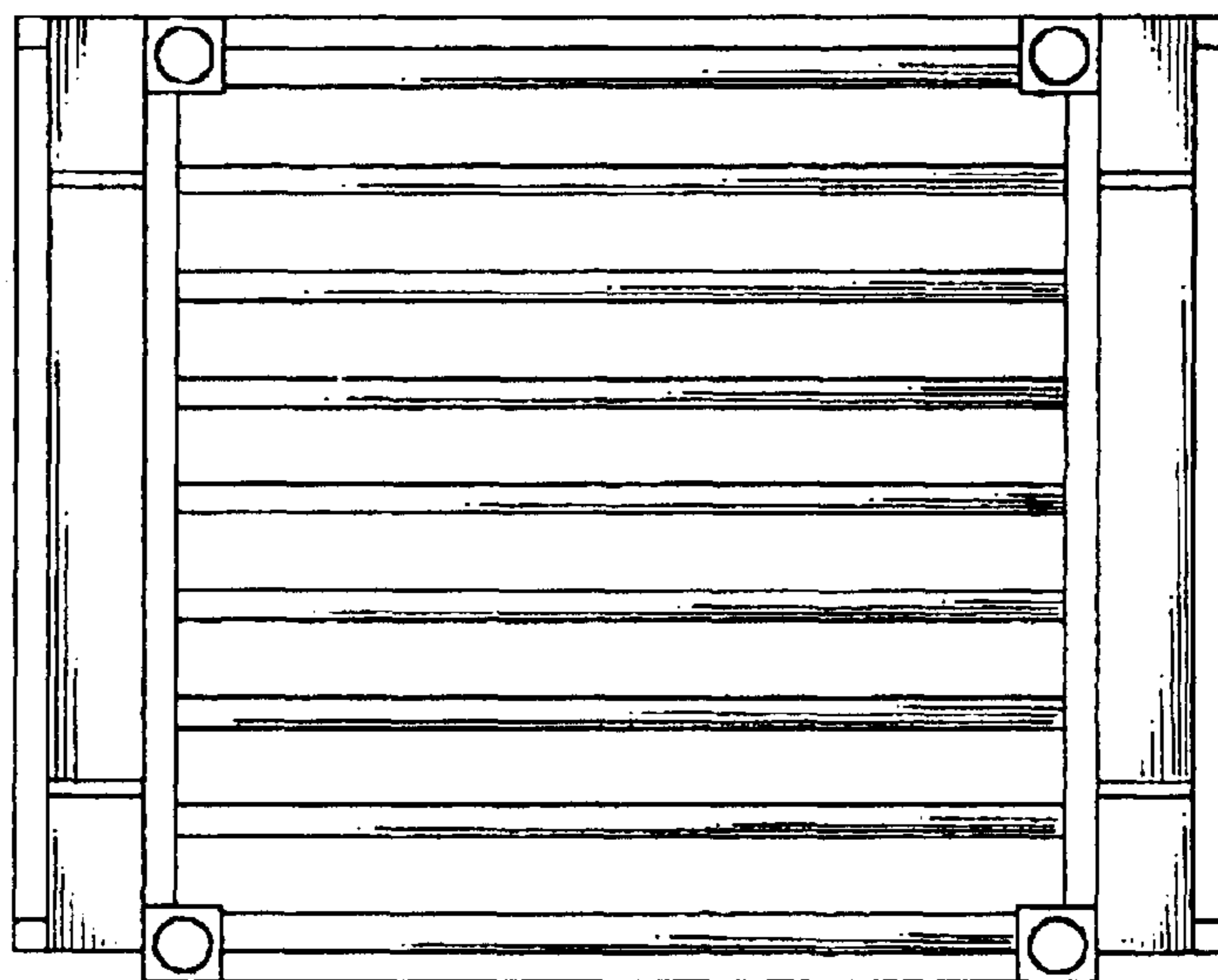


FIG. 4

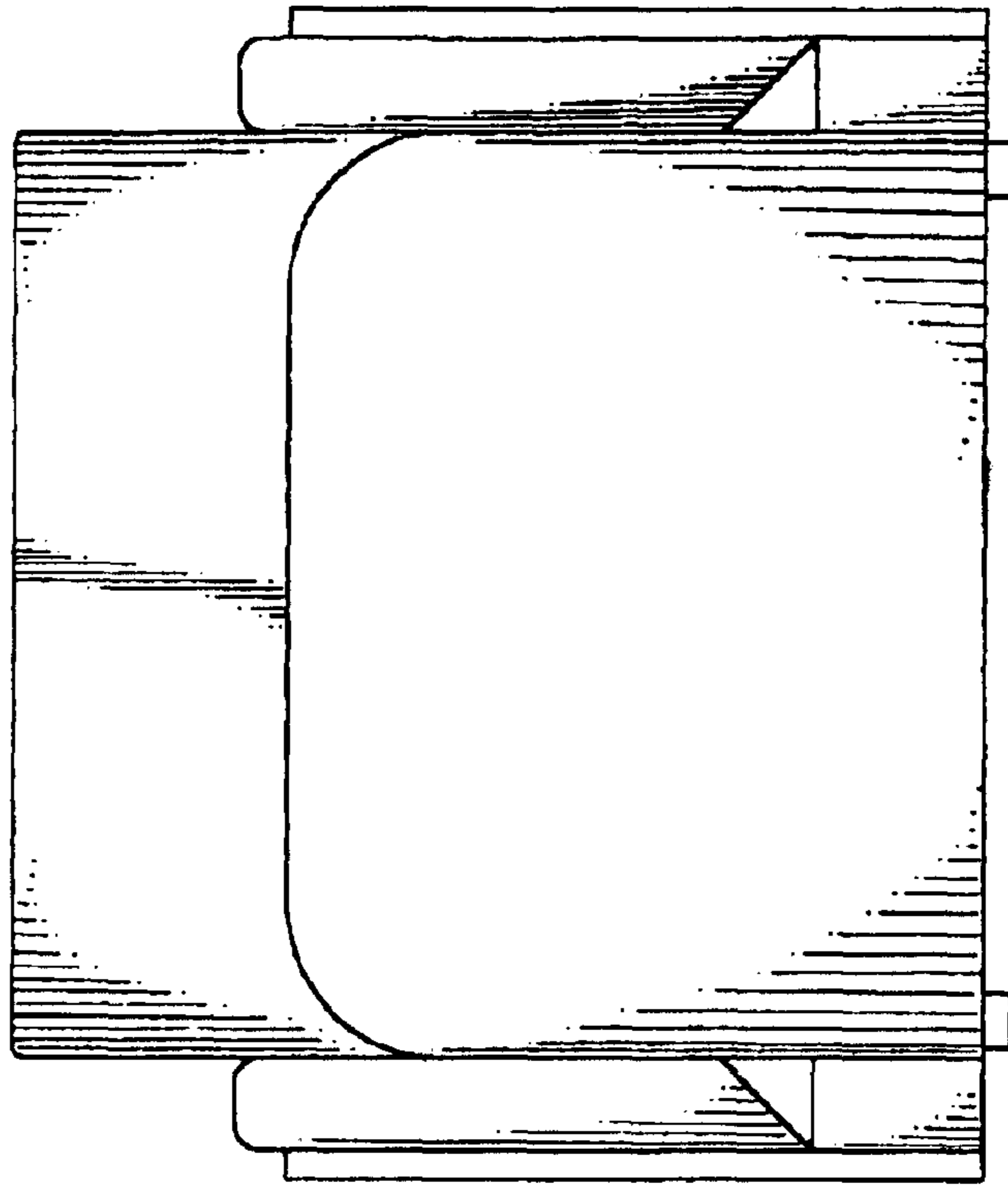


FIG. 5

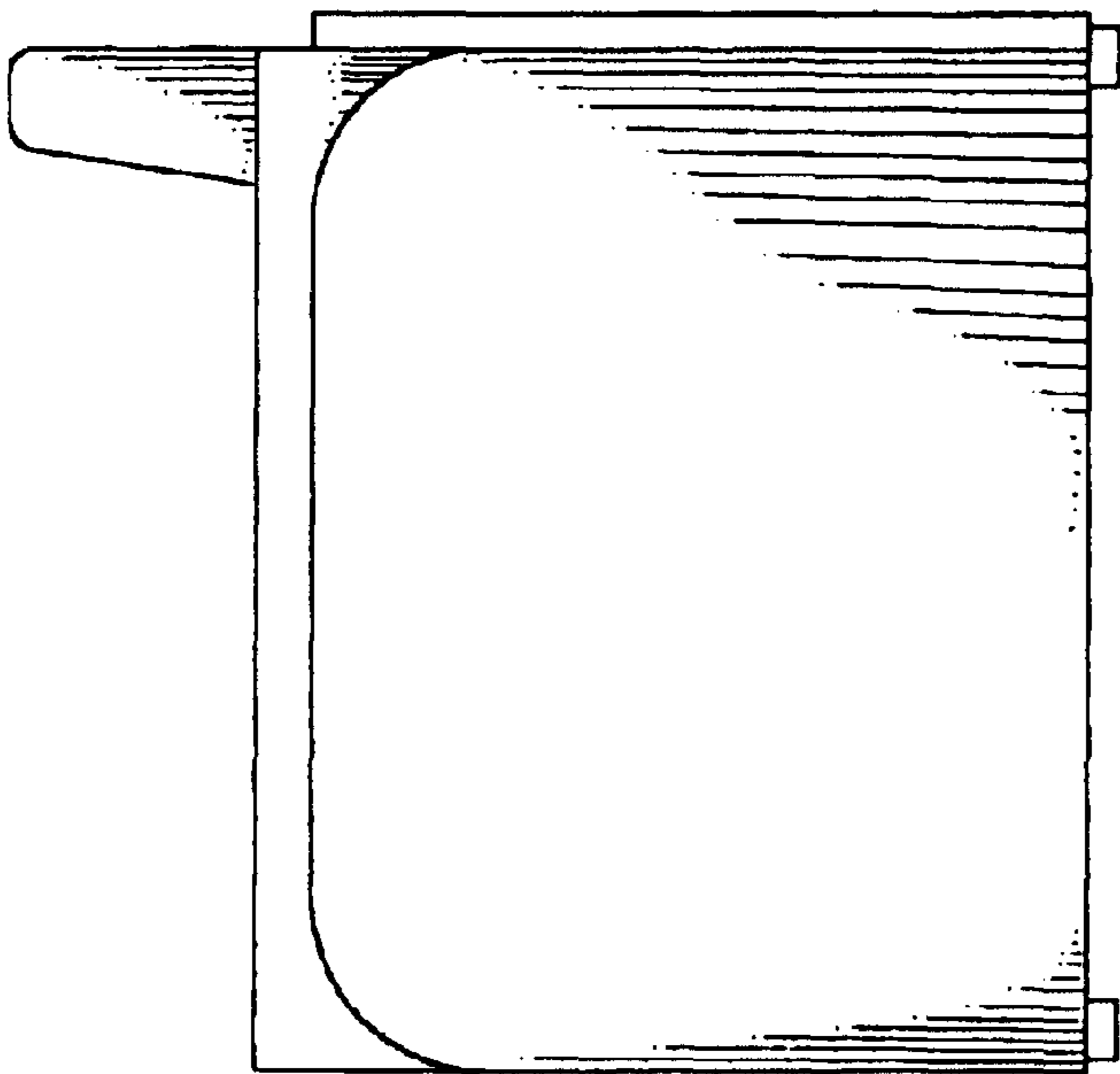


FIG. 6

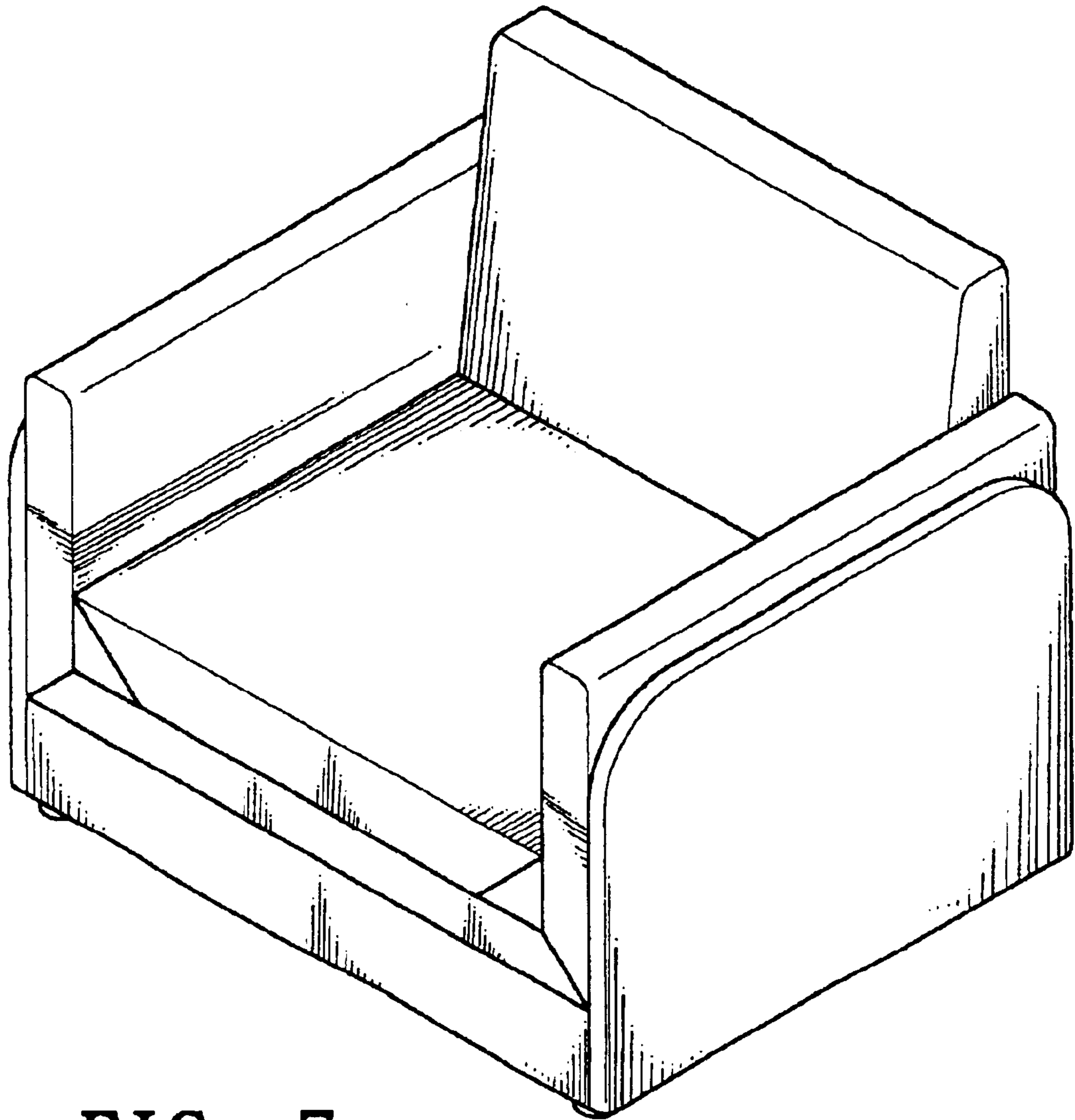


FIG. 7

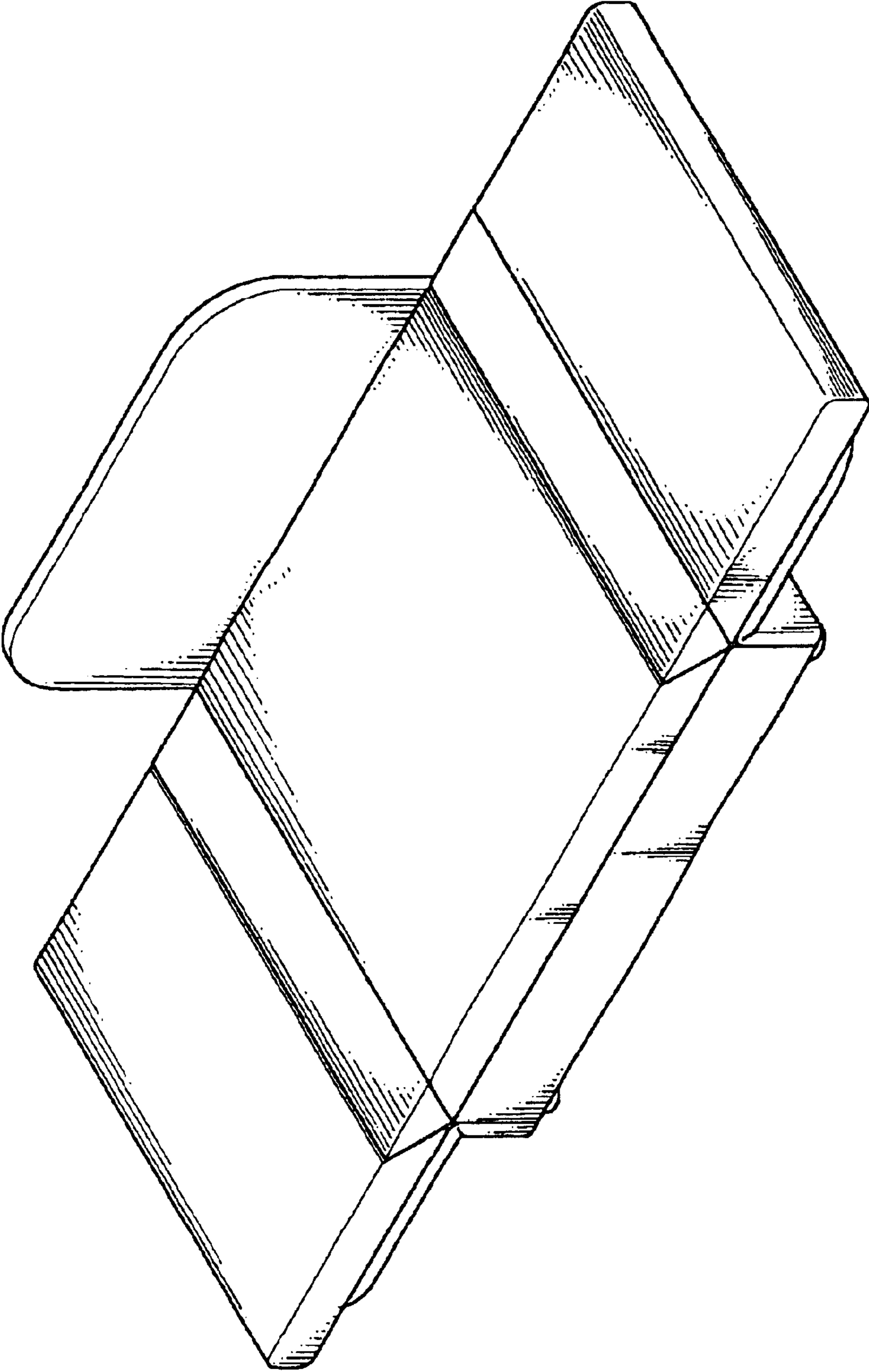


FIG. 8

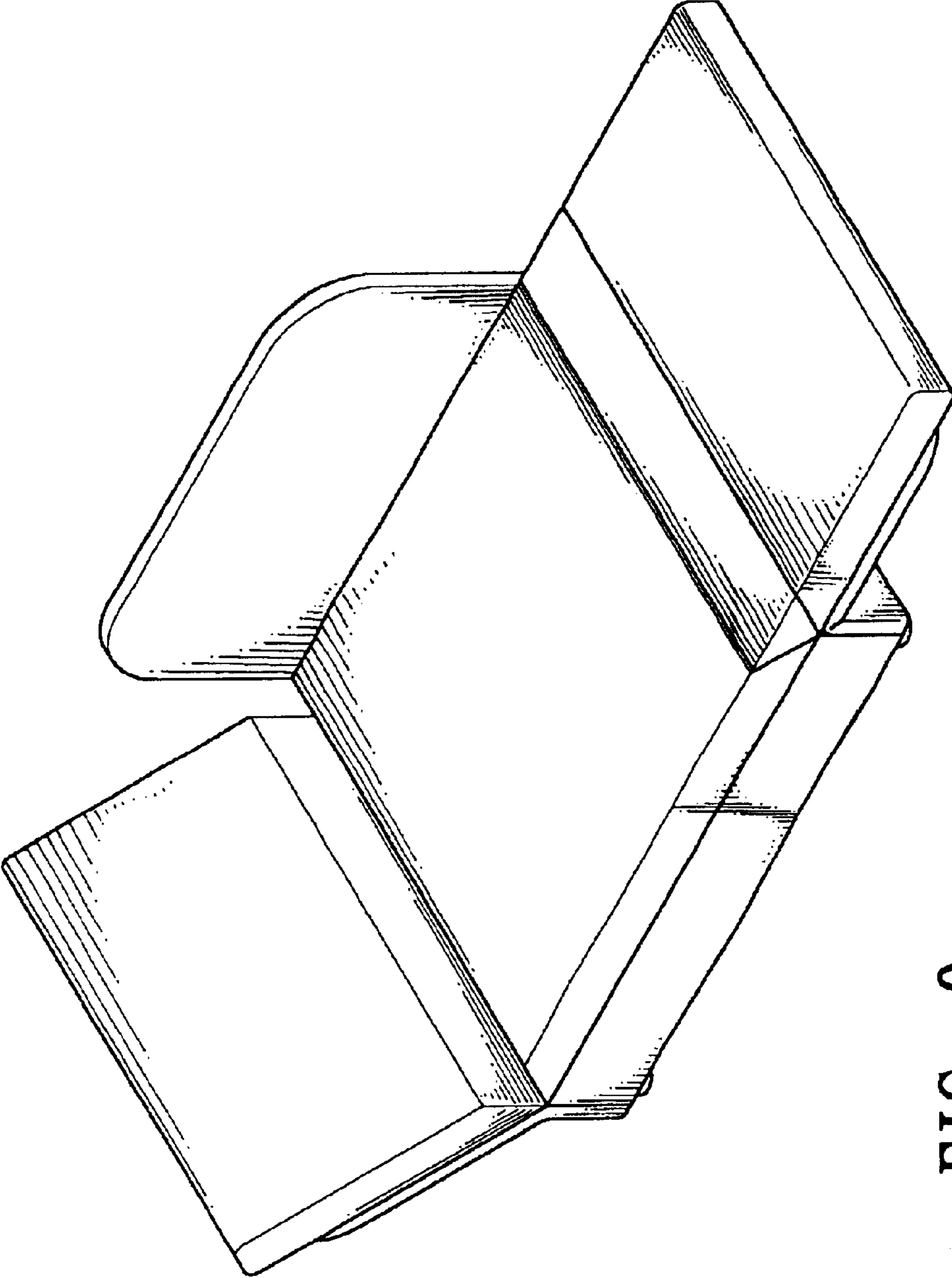


FIG. 9