

US00D501330S

(12) **United States Design Patent**  
**Gomez**

(10) **Patent No.:** **US D501,330 S**

(45) **Date of Patent:** **\*\* Feb. 1, 2005**

(54) **SEAT**

(75) **Inventor:** **Didier Gomez, Paris (FR)**

(73) **Assignee:** **Cinna (FR)**

(\*\*) **Term:** **14 Years**

(21) **Appl. No.:** **29/185,788**

(22) **Filed:** **Jul. 1, 2003**

(30) **Foreign Application Priority Data**

Jan. 7, 2003 (WO) ..... PCT/DM/062 594

(51) **LOC (7) Cl.** ..... **06-01**

(52) **U.S. Cl.** ..... **D6/334**

(58) **Field of Search** ..... D6/334, 335, 336,  
D6/364, 371, 381, 500, 501, 502; 5/12.1;  
297/232

(56) **References Cited**

**U.S. PATENT DOCUMENTS**

D177,455 S	*	4/1956	Young	.....	D6/381
D181,932 S	*	1/1958	Lubberts et al.	.....	D6/381
D367,364 S	*	2/1996	Lewis	.....	D6/334
D385,122 S	*	10/1997	Hutton	.....	D6/381
D423,244 S	*	4/2000	Hutton	.....	D6/381
D423,808 S	*	5/2000	Natuzzi et al.	.....	D6/381

D424,316 S	*	5/2000	Natuzzi et al.	.....	D6/381
D446,039 S	*	8/2001	Gomez	.....	D6/381
D473,723 S	*	4/2003	Pesso	.....	D6/334
D484,327 S	*	12/2003	Ricci	.....	D6/381
D484,713 S	*	1/2004	Gomez	.....	D6/381
D485,086 S	*	1/2004	Gomez	.....	D6/381
D487,646 S	*	3/2004	Natuzzi	.....	D6/381

\* cited by examiner

*Primary Examiner*—Gary D. Watson

(74) *Attorney, Agent, or Firm*—Cantor Colburn LLP

(57) **CLAIM**

The ornamental design for a seat, as shown and described.

**DESCRIPTION**

FIG. 1 is a front perspective view of a seat, showing my new design;  
 FIG. 2 is a front elevational view thereof;  
 FIG. 3 is a rear elevational view thereof;  
 FIG. 4 is a first side elevational view thereof;  
 FIG. 5 is a second side elevational view thereof;  
 FIG. 6 is a top plan view thereof;  
 FIG. 7 is a rear perspective view; and,  
 FIG. 8 is a front perspective view of a second embodiment of the seat shown in FIGS. 1–7 with a back cushion.

**1 Claim, 5 Drawing Sheets**

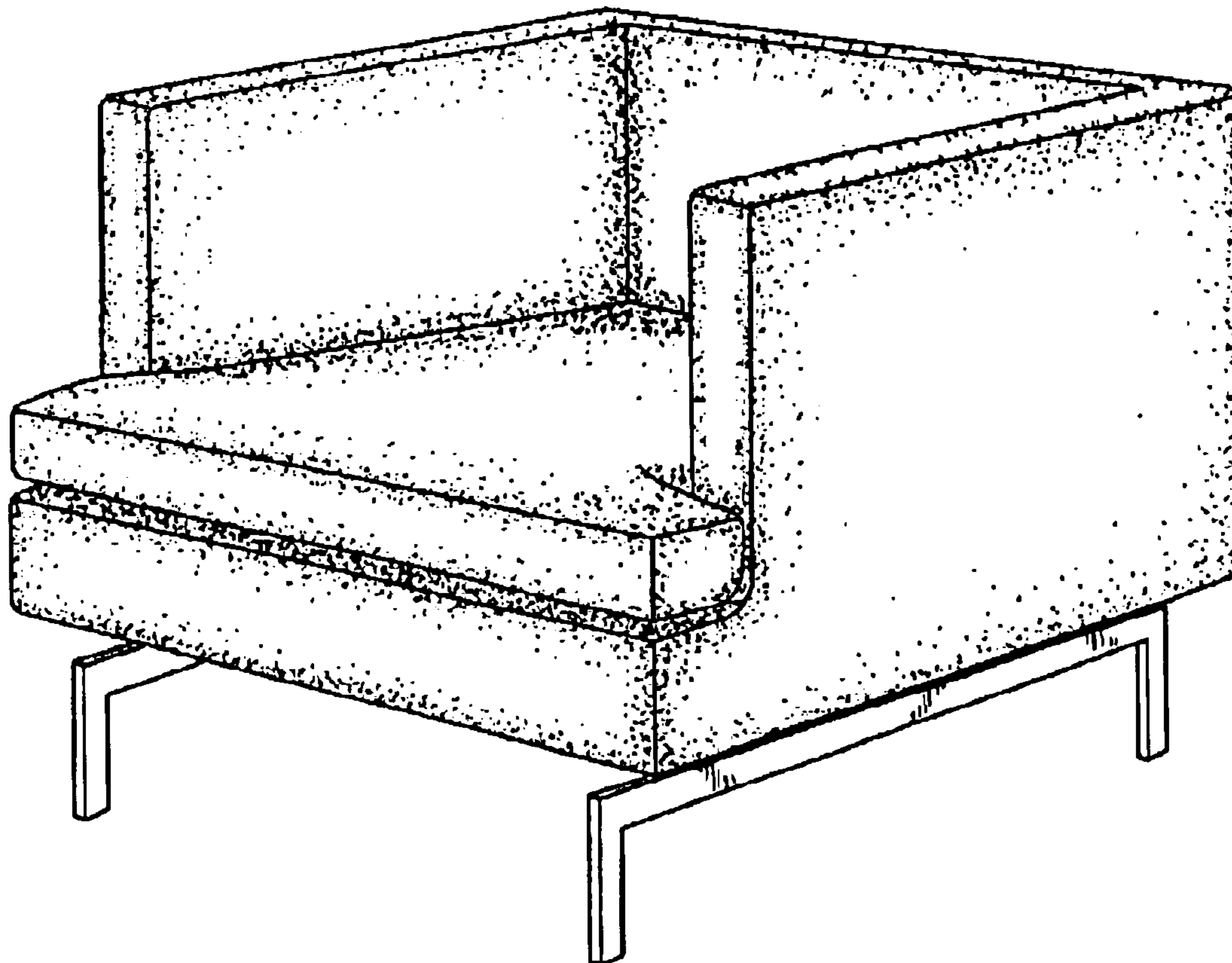


FIG. 1

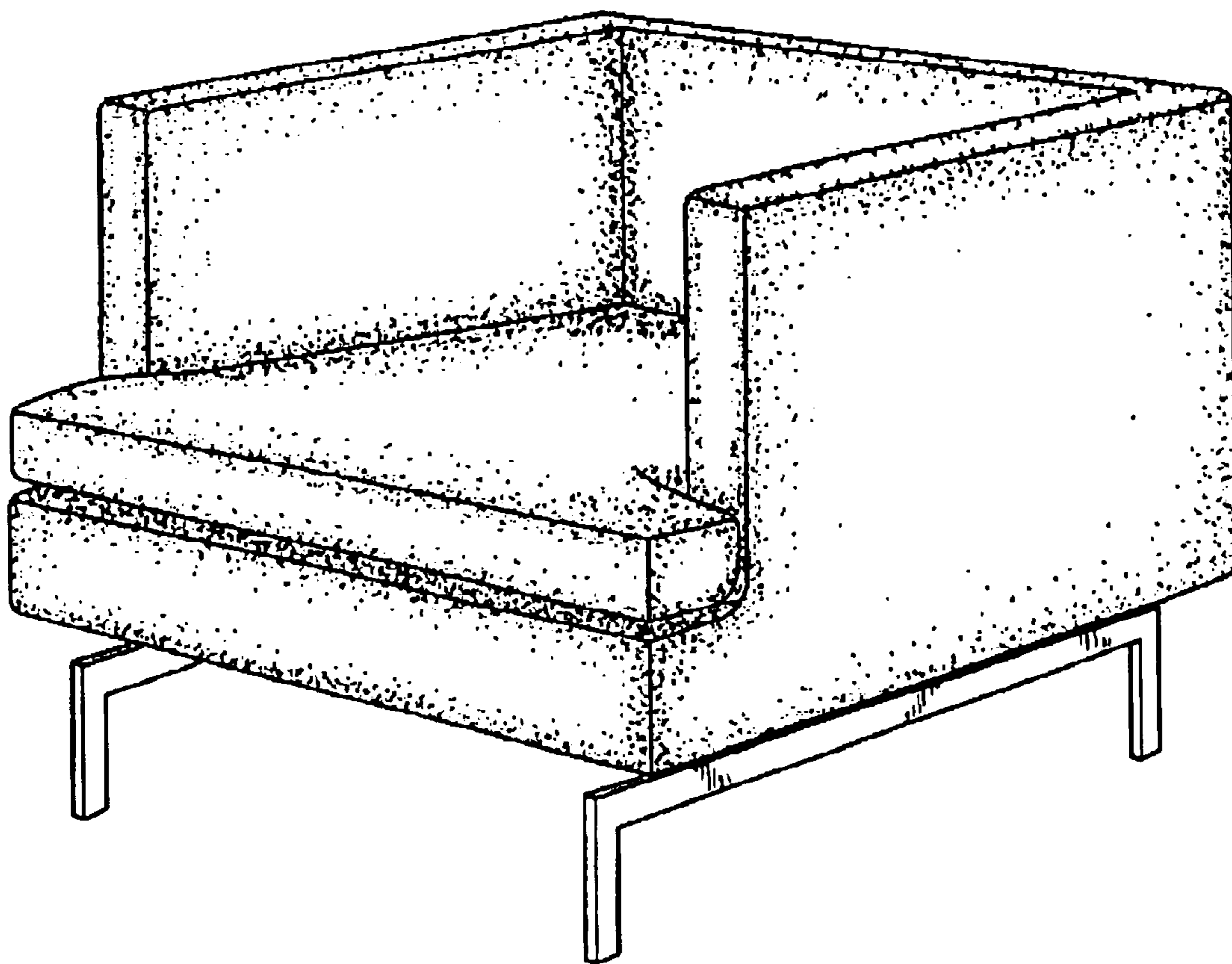


FIG. 2

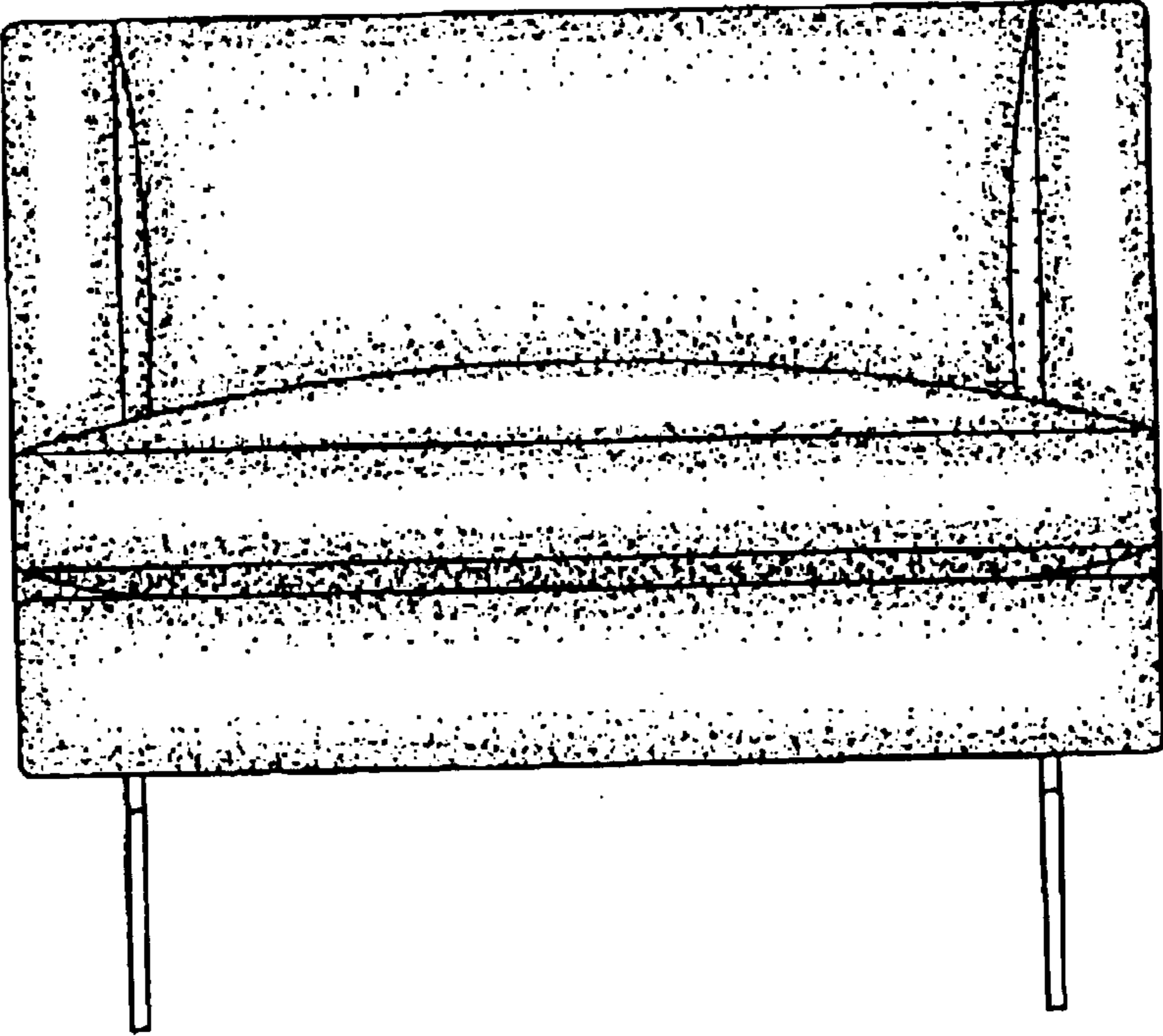


FIG. 3

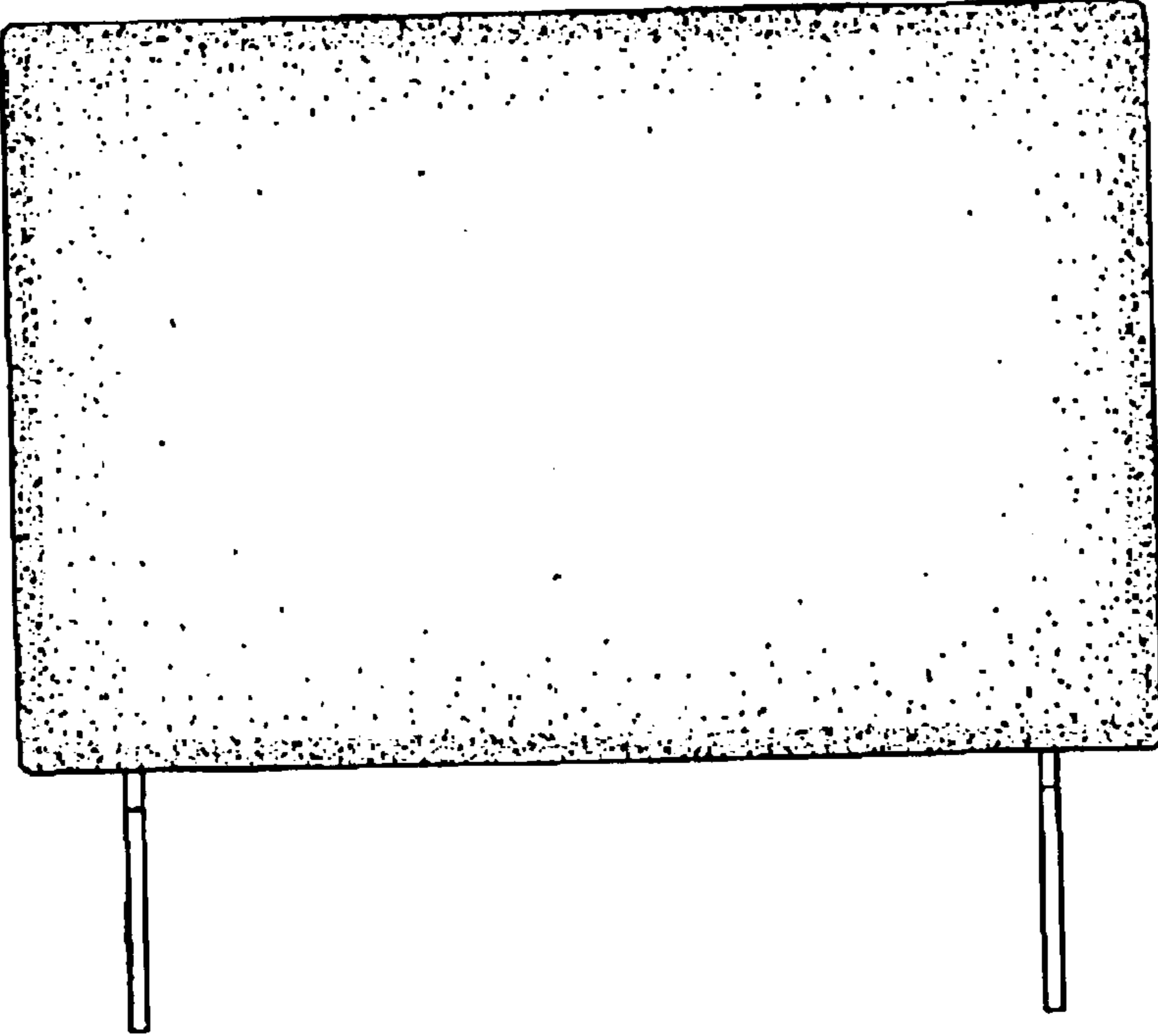


FIG. 4

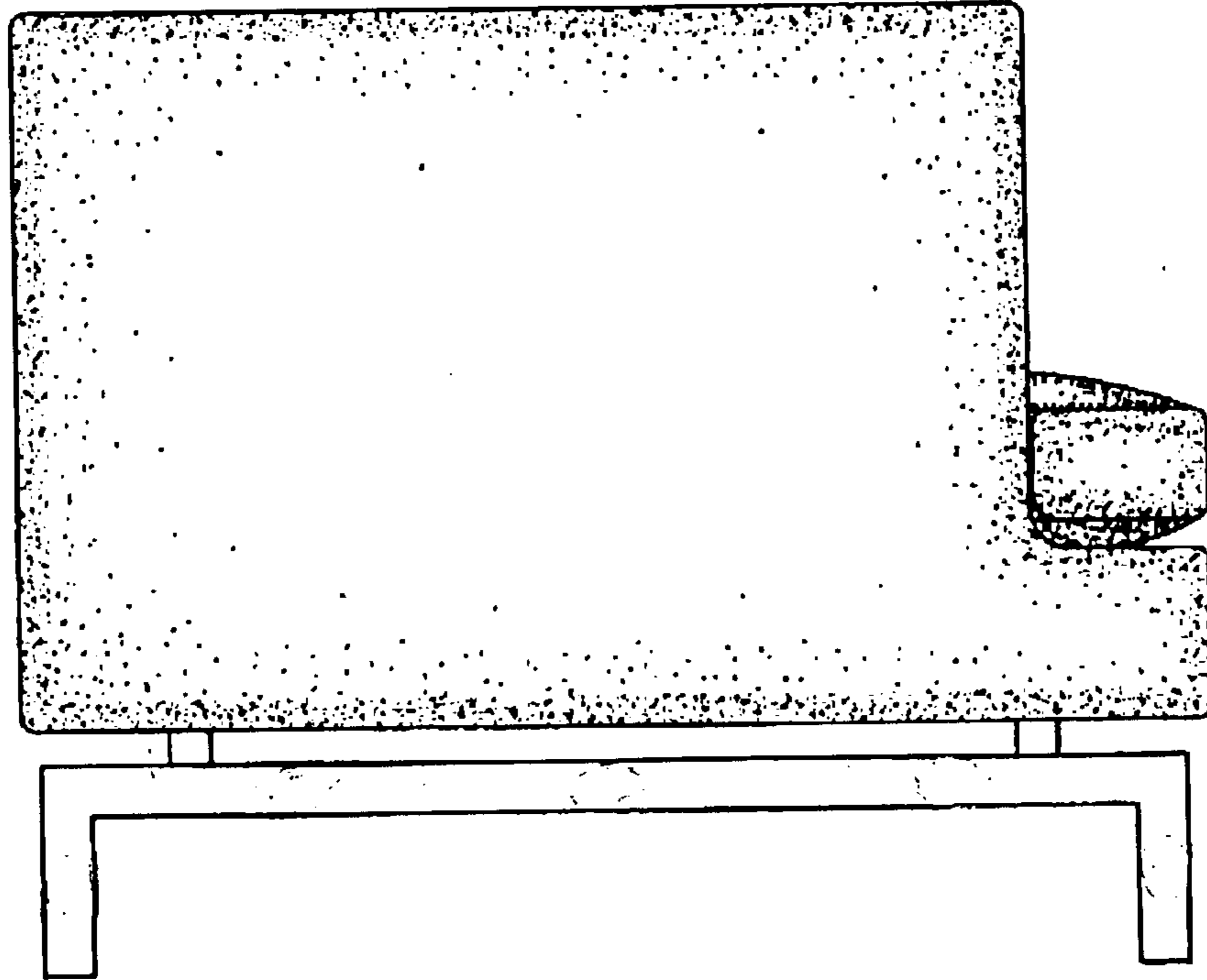


FIG. 5

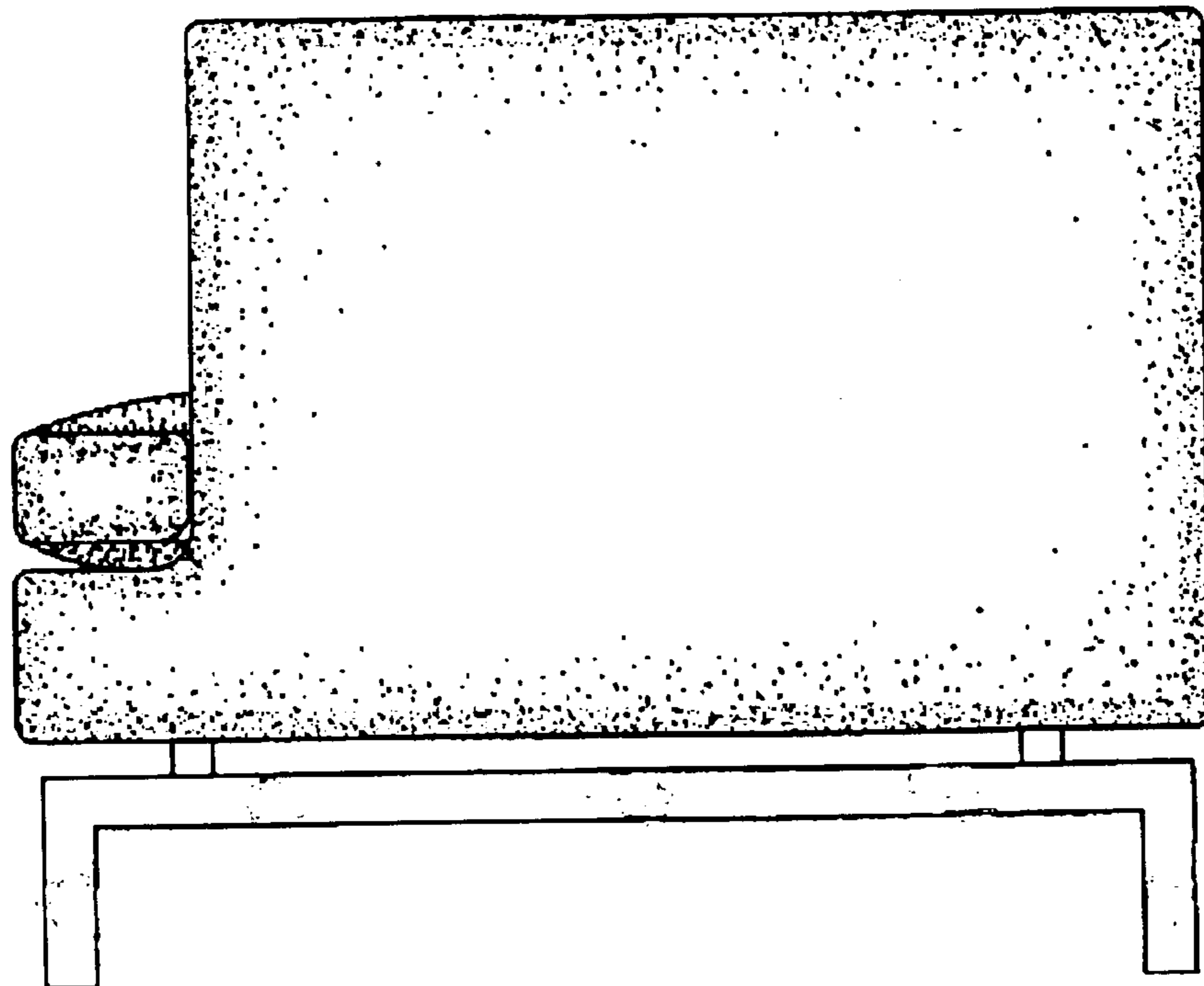


FIG. 6

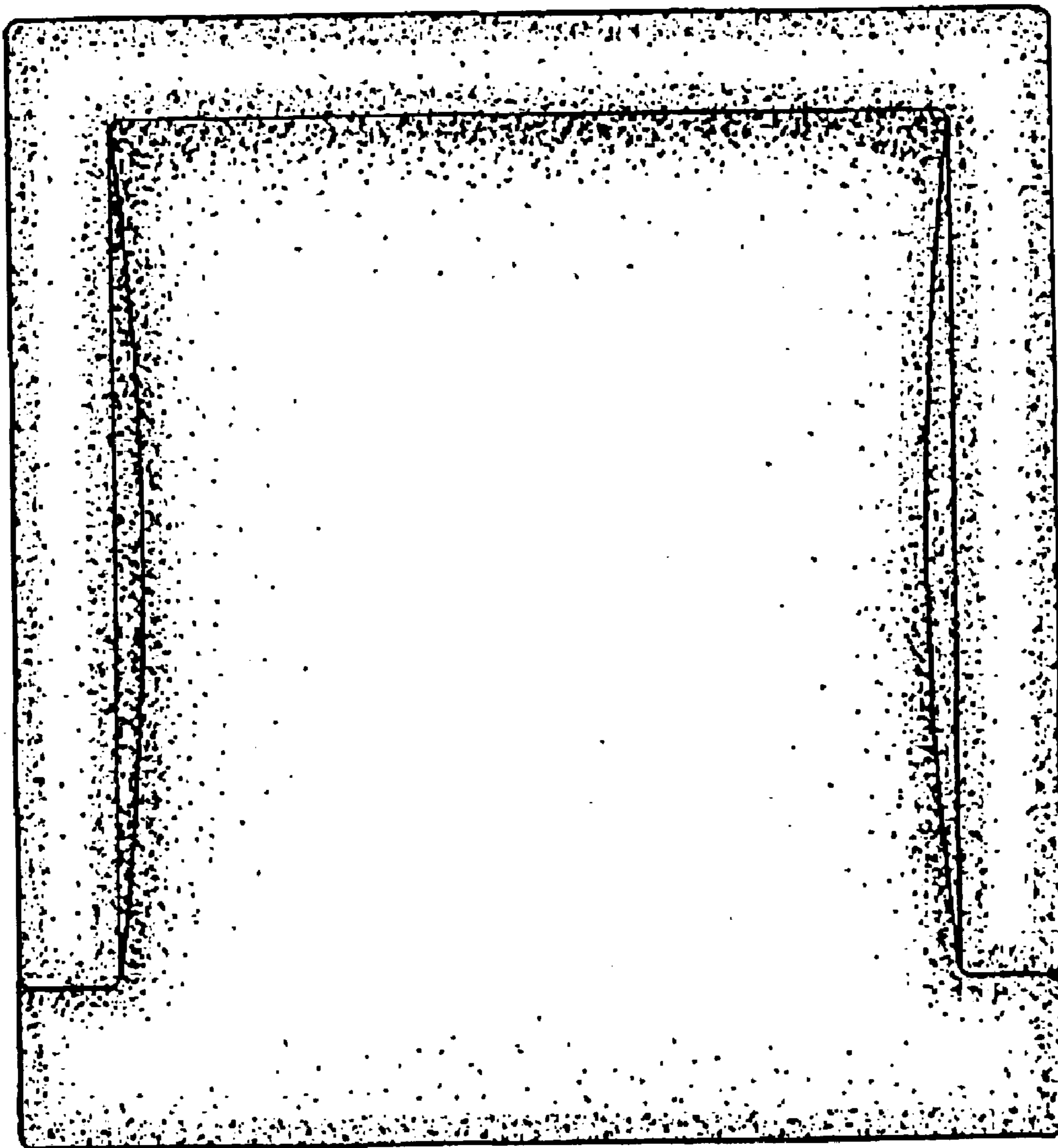


FIG. 7

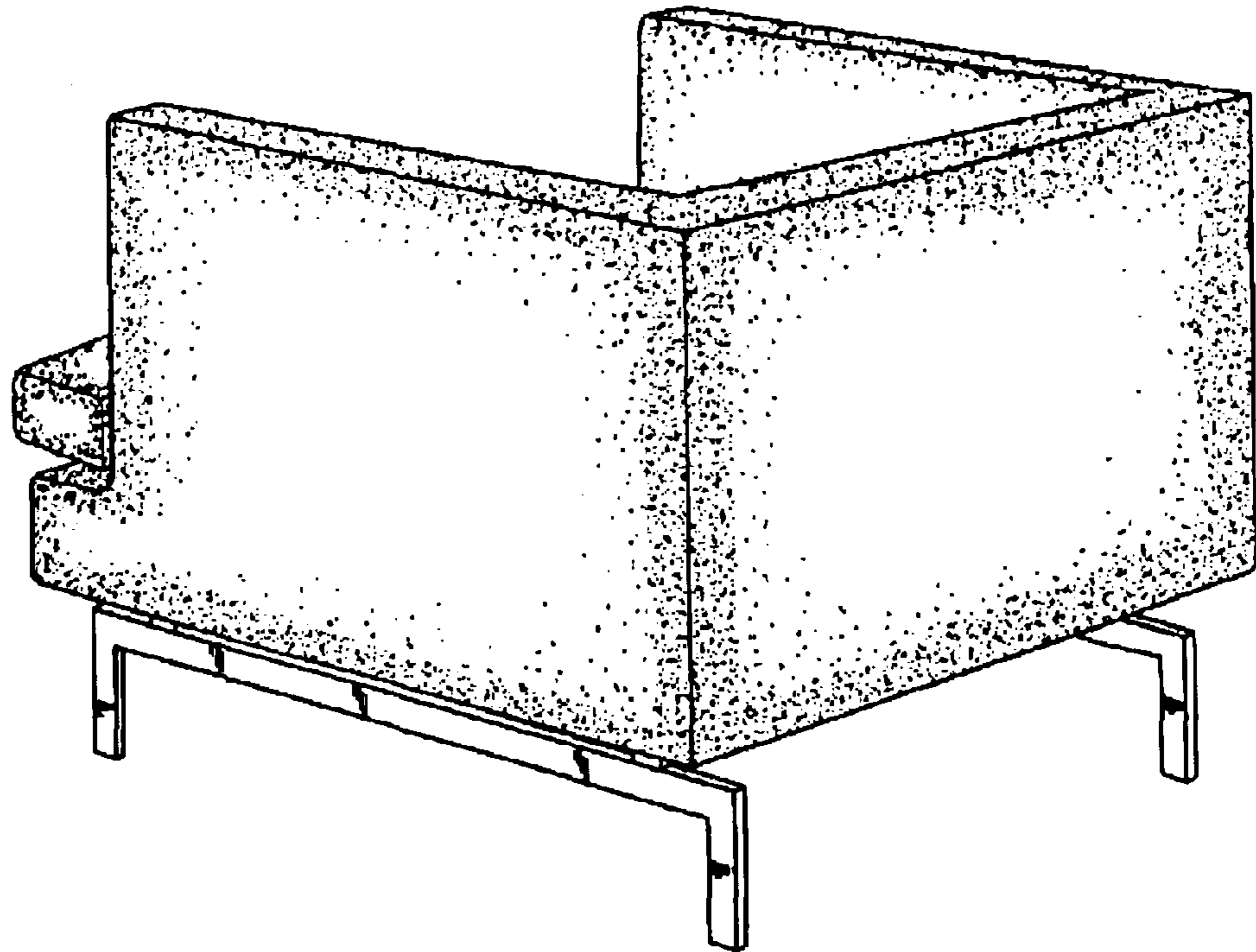


FIG. 8

