

US00D501327S

(12) **United States Design Patent**
Keigley

(10) **Patent No.:** **US D501,327 S**
(45) **Date of Patent:** **** Feb. 1, 2005**

(54) **PERFORATED METAL PICTURE FRAME AND HANGING SYSTEM**

D388,077 S * 12/1997 Starck D6/300
D489,906 S * 5/2004 Hardy et al. D6/300

(76) Inventor: **David L. Keigley**, 3325 Alton Rd.,
Miami Beach, FL (US) 33140

* cited by examiner

(**) Term: **14 Years**

Primary Examiner—Janice E. Seeger
(74) *Attorney, Agent, or Firm*—Malloy & Malloy, P.A.

(21) Appl. No.: **29/195,270**

(57) **CLAIM**

(22) Filed: **Dec. 9, 2003**

The ornamental design for perforated metal picture frame and hanging system, as shown and described.

Related U.S. Application Data

DESCRIPTION

(63) Continuation-in-part of application No. 29/183,113, filed on Jun. 9, 2003, now abandoned.

FIG. 1 is a front perspective view illustrating my design for a perforated metal picture frame and hanging system;

(51) **LOC (7) Cl.** **06-07**

FIG. 2 is a front view thereof;

(52) **U.S. Cl.** **D6/300**

FIG. 3 is a left side view thereof;

(58) **Field of Search** D6/300–303, 308–314;
40/700, 711, 714–716, 717, 720, 722, 725,
735, 765, 766, 728, 780, 790, 798, 800

FIG. 4 is a top view thereof;

FIG. 5 is a right side view thereof;

FIG. 6 is a bottom view thereof;

FIG. 7 is a rear view thereof; and,

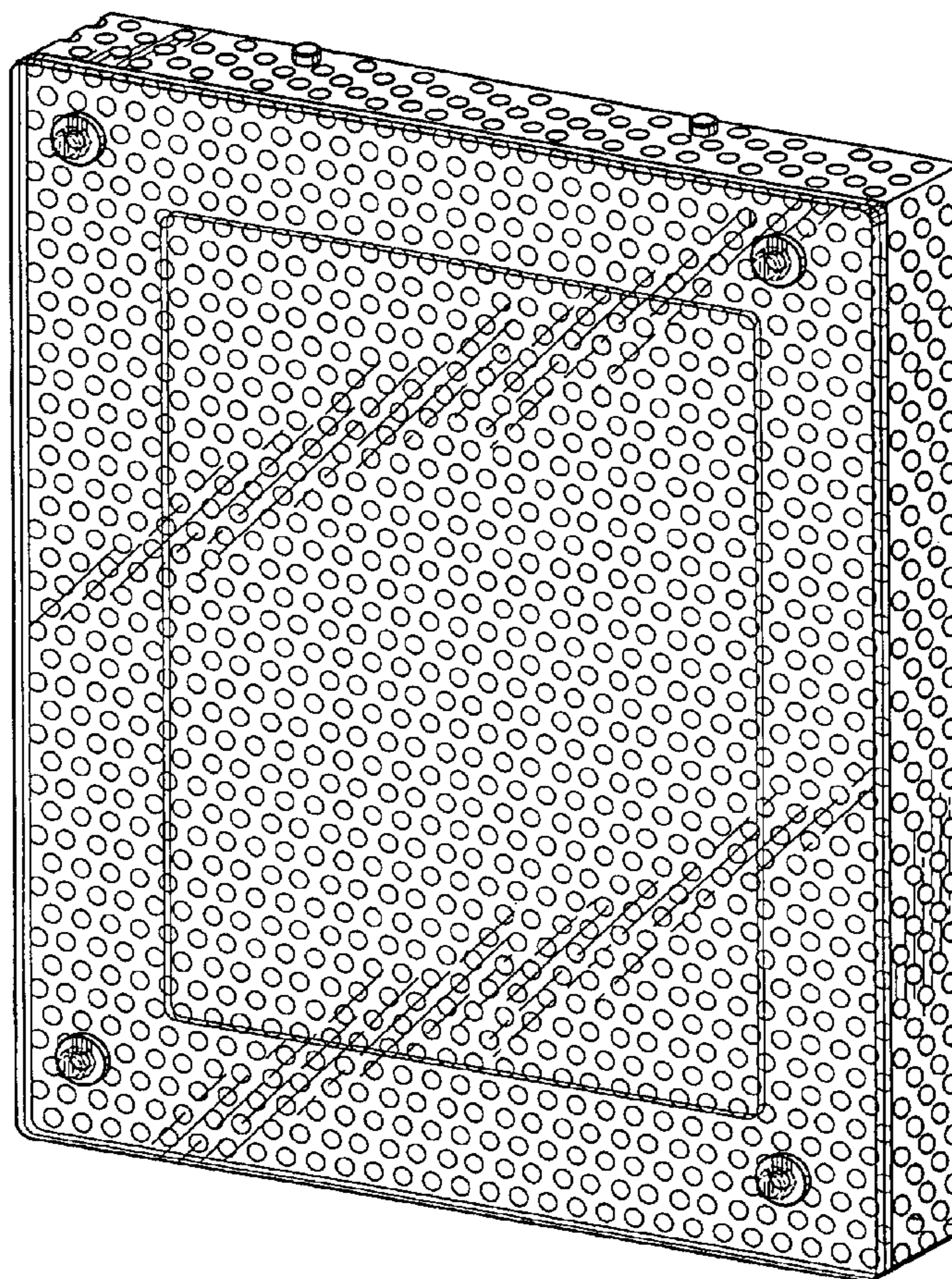
FIG. 8 is a perspective exploded view thereof.

(56) **References Cited**

U.S. PATENT DOCUMENTS

D378,251 S * 3/1997 Levin D6/300

1 Claim, 5 Drawing Sheets



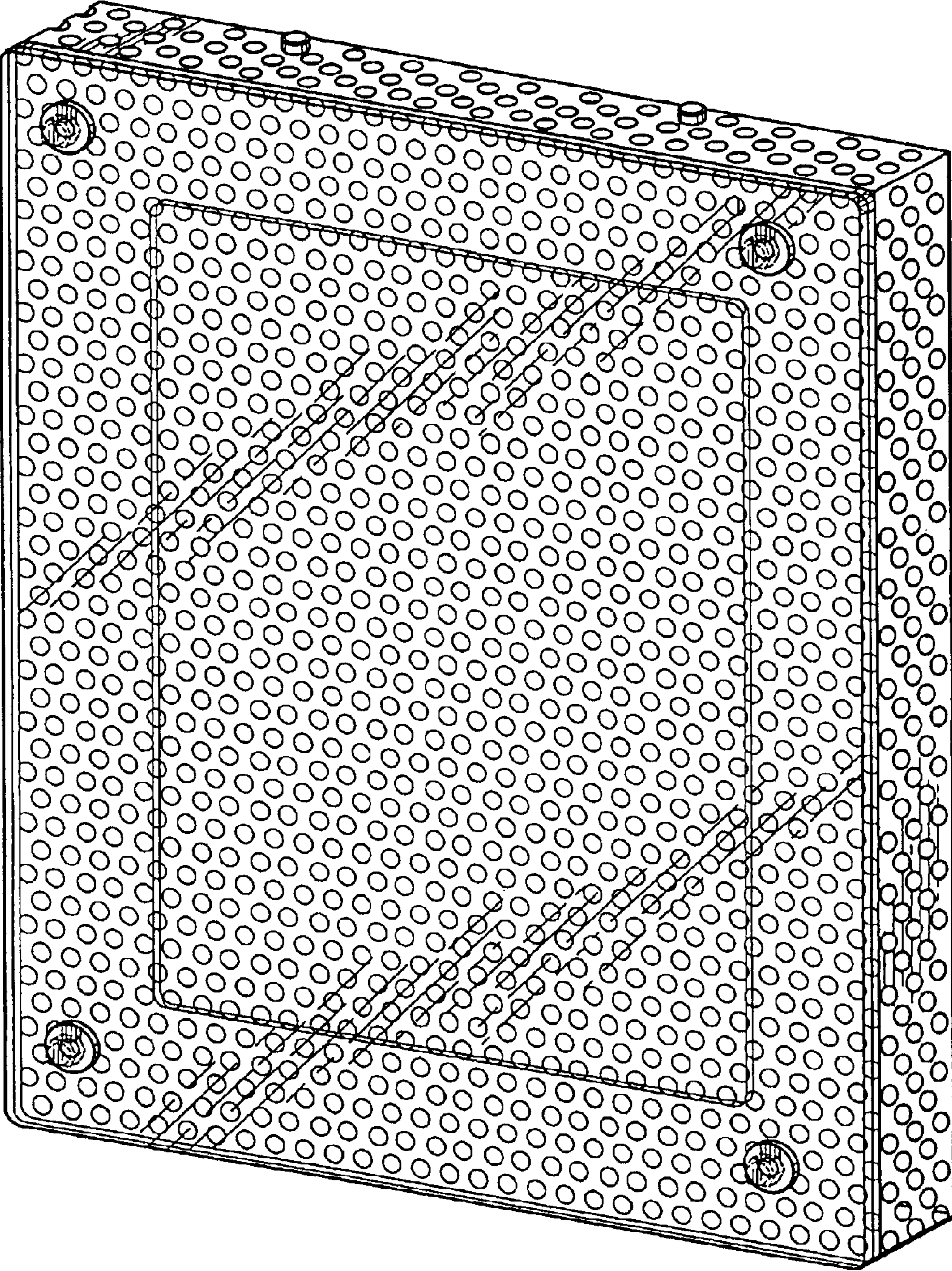


FIG. 1

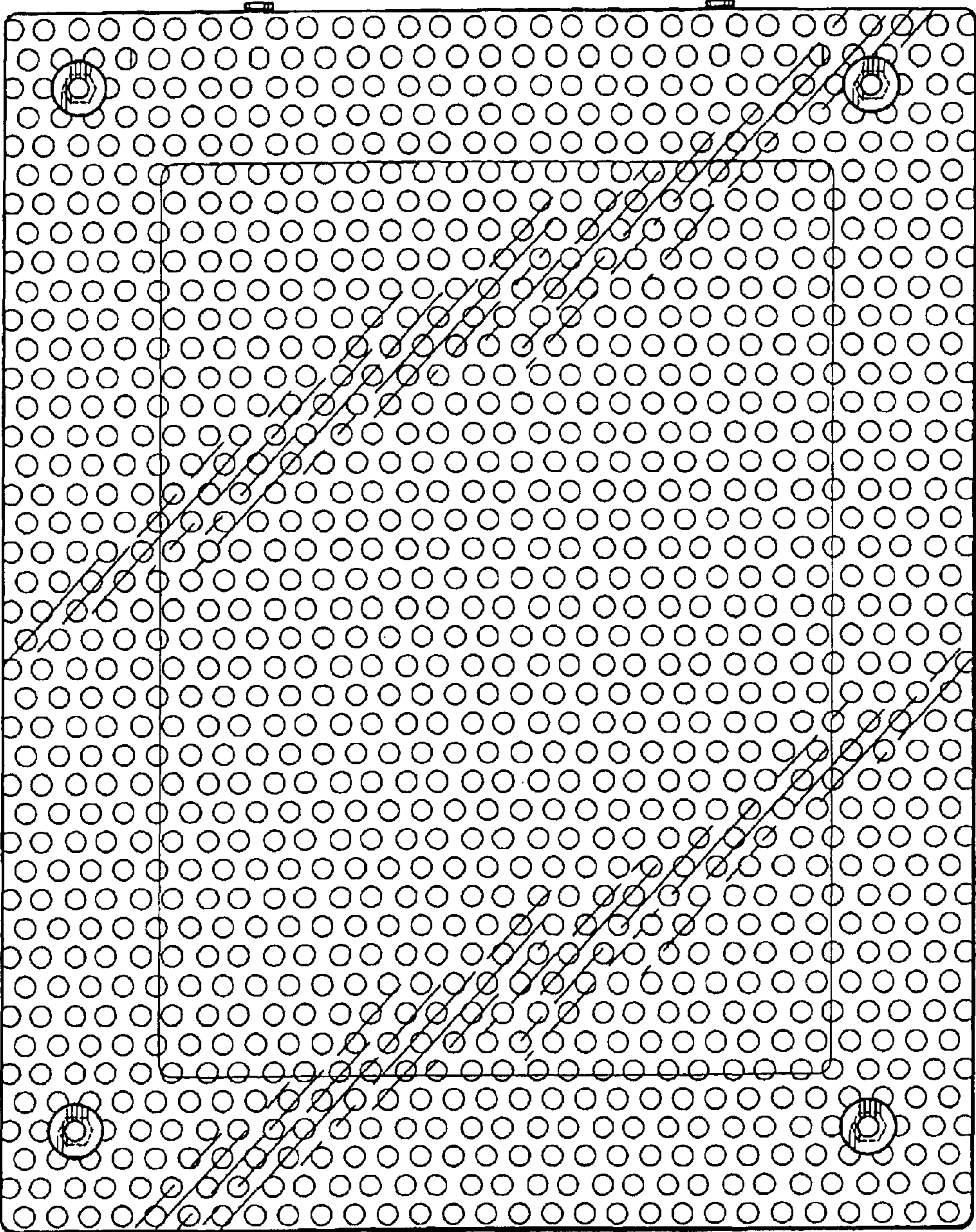


FIG. 2

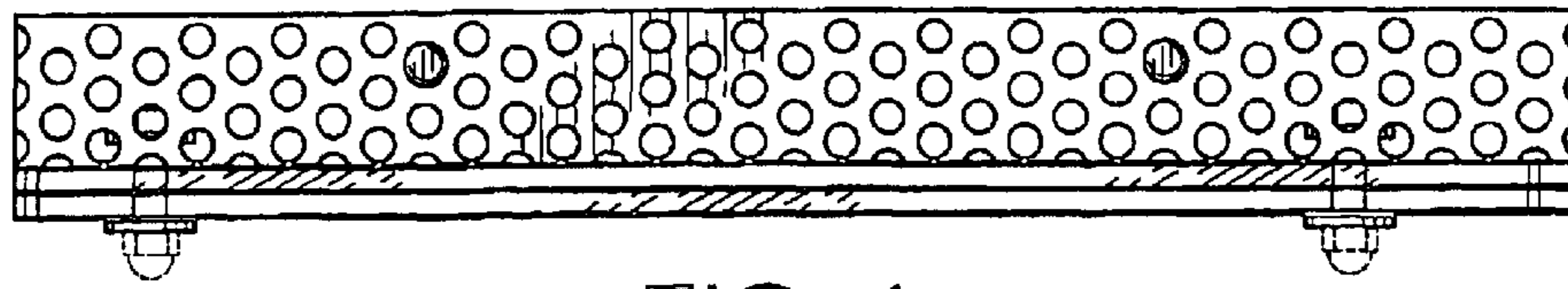


FIG. 4

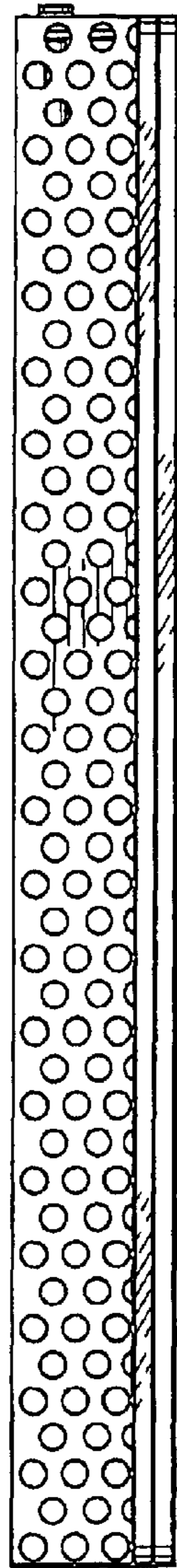


FIG. 3

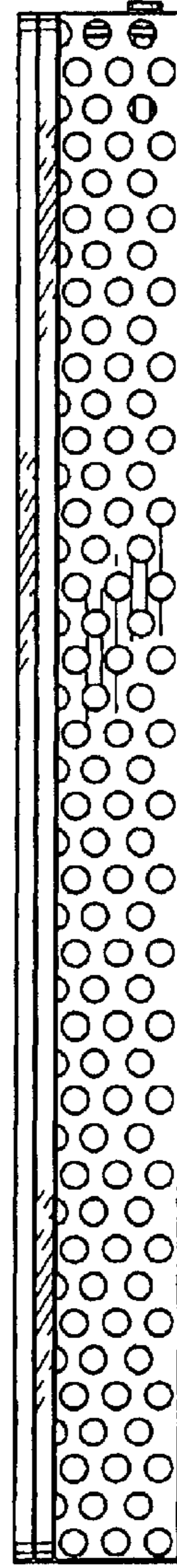


FIG. 5

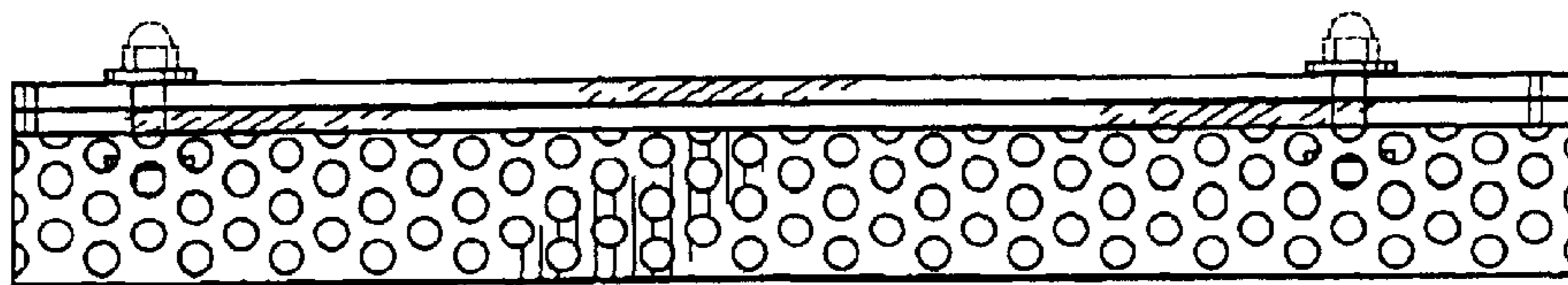


FIG. 6

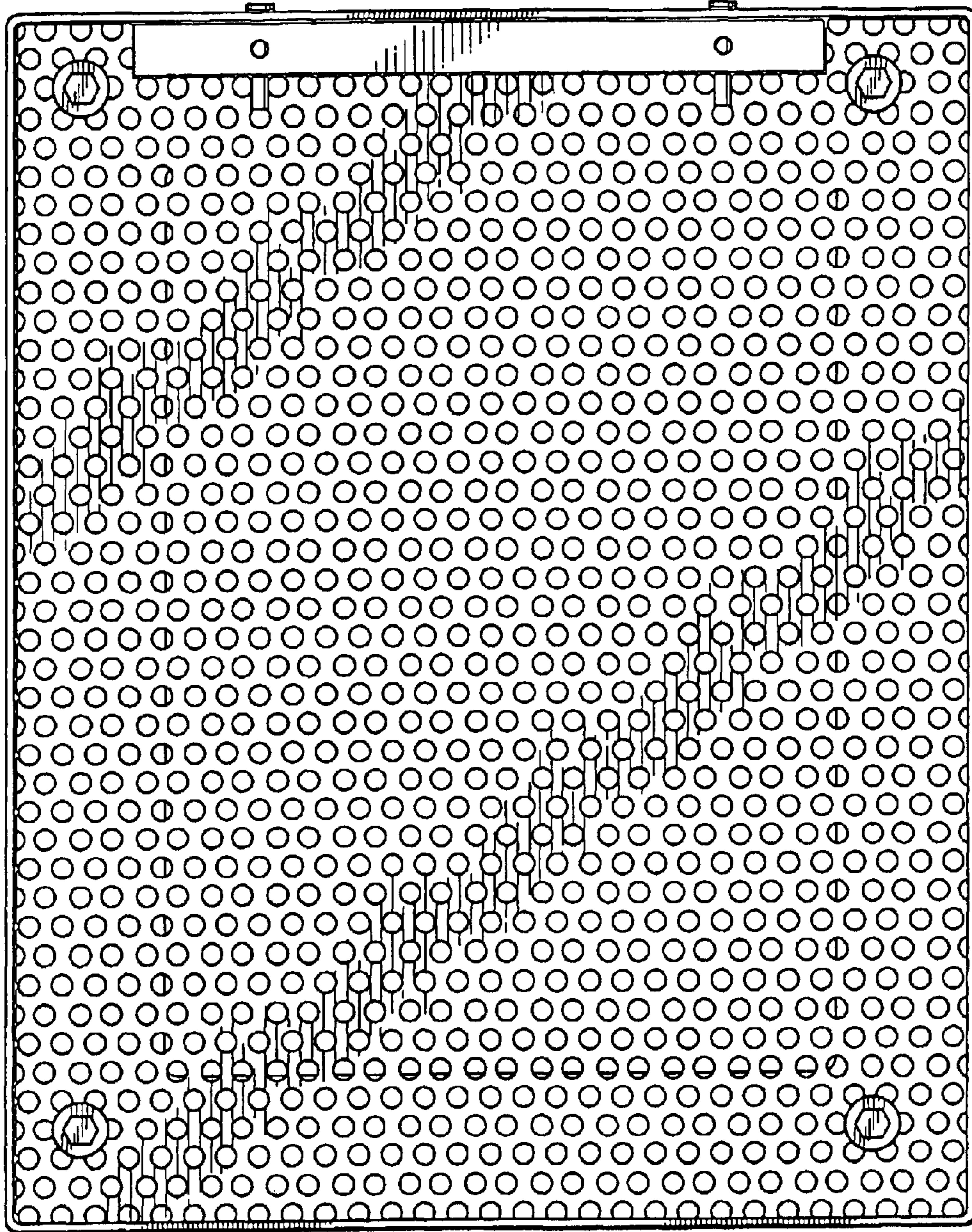


FIG. 7

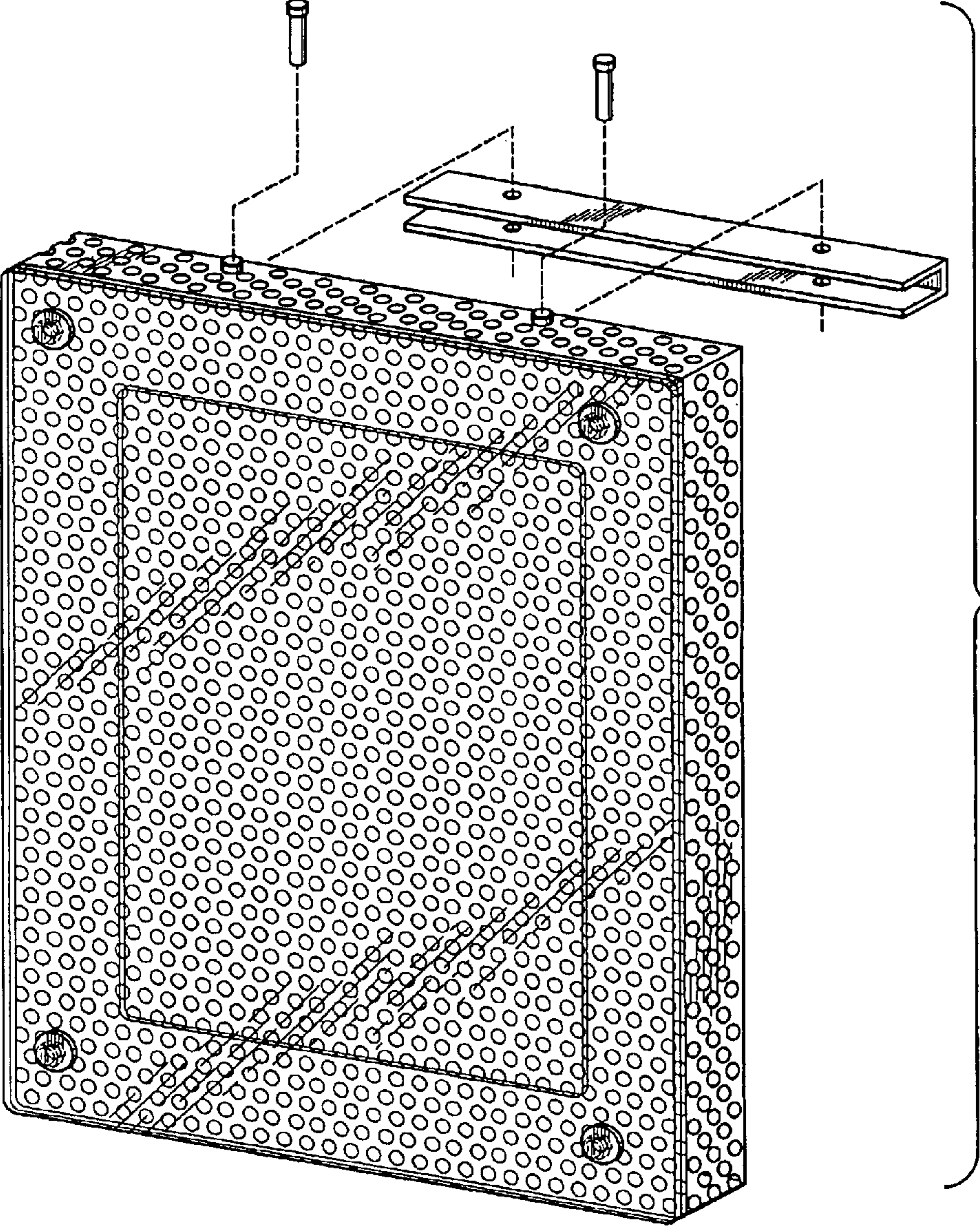


FIG. 8