

US00D501313S

(12) **United States Design Patent**  
**Kim**

(10) **Patent No.:** **US D501,313 S**  
(45) **Date of Patent:** **\*\* Feb. 1, 2005**

(54) **PURSE**

(75) **Inventor:** **Yun S. Kim**, Fayetteville, NC (US)

(73) **Assignee:** **Bethel International, Inc.**, Fayetteville, NC (US)

(\*\*) **Term:** **14 Years**

(21) **Appl. No.:** **29/207,471**

(22) **Filed:** **Jun. 14, 2004**

(51) **LOC (7) Cl.** ..... **03-01**

(52) **U.S. Cl.** ..... **D3/238**

(58) **Field of Search** ..... D3/232, 233, 234,  
D3/238, 240, 241, 243, 244, 245, 246,  
303, 315, 316; D9/305; 150/100, 197, 110,  
118, 900, 902, 903; 190/100, 109, 112,  
113, 115, 119; 383/12, 29, 26, 30, 31, 205,  
206, 40, 42, 70, 71, 72, 75, 76, 78, 79,  
81, 907

(56) **References Cited**

**U.S. PATENT DOCUMENTS**

D179,089 S	10/1956	Lehne	.....	D3/238
2,999,522 A	9/1961	Schlumbohm	.....	150/28
D209,863 S	* 1/1968	Menschik	.....	D3/303
4,153,089 A	5/1979	Veilleux	.....	150/7
D254,341 S	* 3/1980	Sacks	.....	D3/238
D277,335 S	1/1985	Lieberman	.....	D3/44
D315,984 S	4/1991	Fowler	.....	D3/71
5,427,453 A	* 6/1995	Cloessner	.....	190/109
5,810,166 A	* 9/1998	Weinreb	.....	190/903

D422,405 S	* 4/2000	du Sartel	.....	D3/243
D468,527 S	1/2003	Nevins	.....	D3/246
D472,045 S	* 3/2003	Nieves	.....	D3/233
2003/0196851 A1	10/2003	Cowgill et al.	.....	181/178

**FOREIGN PATENT DOCUMENTS**

JP 2003292063 10/2003

\* cited by examiner

*Primary Examiner*—Louis S. Zarfes

*Assistant Examiner*—Monica A. Weingart

(74) *Attorney, Agent, or Firm*—Myers Bigel Sibley & Sajovec

(57) **CLAIM**

The ornamental design for a purse, as shown and described.

**DESCRIPTION**

FIG. 1 is a perspective view of a purse, showing my new design;

FIG. 2 is a side elevational view thereof;

FIG. 3 is a top plan view thereof;

FIG. 4 is a bottom plan view thereof;

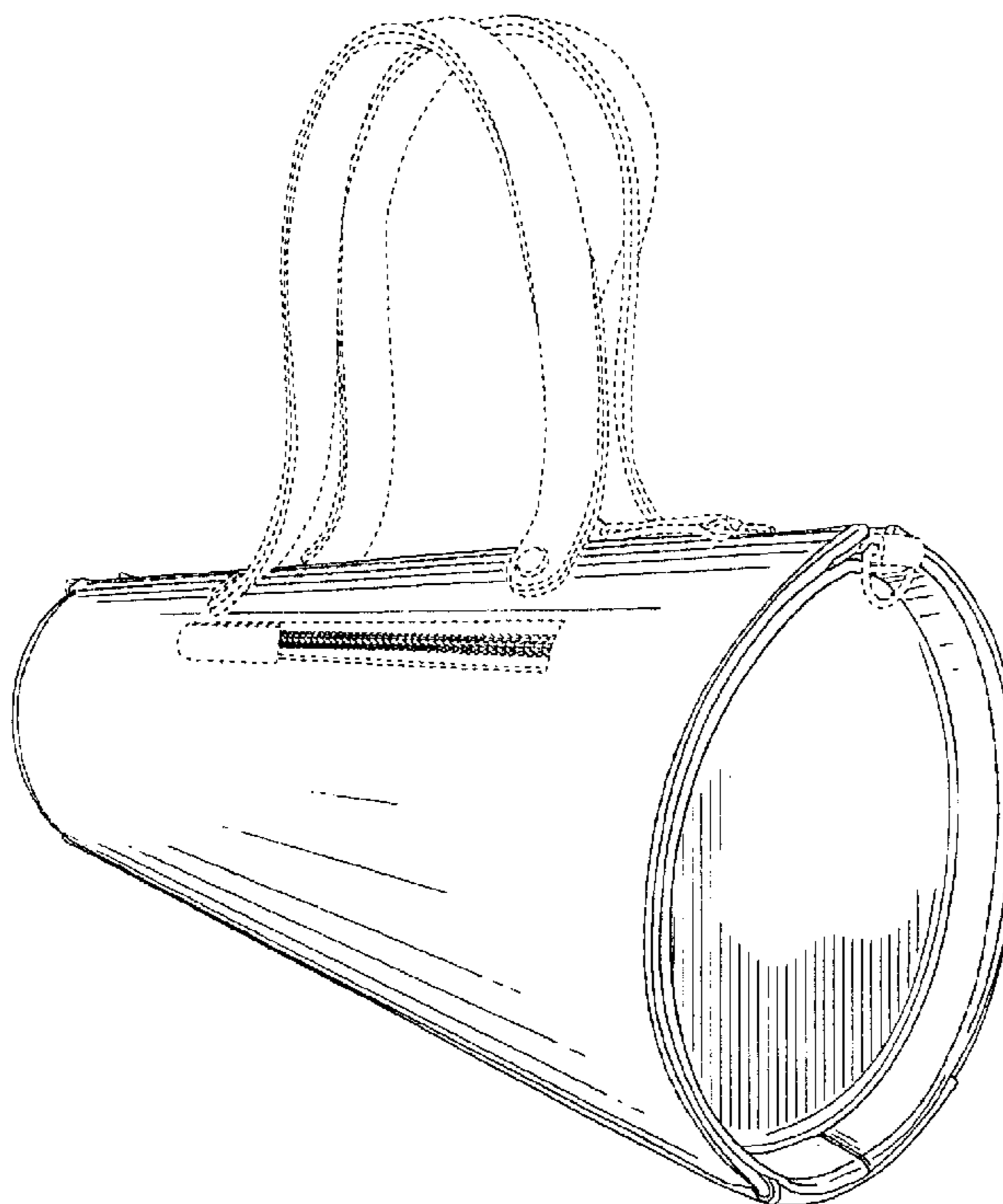
FIG. 5 is a side elevational view thereof, opposite that shown in FIG. 2;

FIG. 6 is an end view thereof; and,

FIG. 7 is an end view thereof, opposite that shown in FIG. 6.

The broken lines shown herein are for illustrative purposes only and form no part of the claimed design.

**1 Claim, 7 Drawing Sheets**



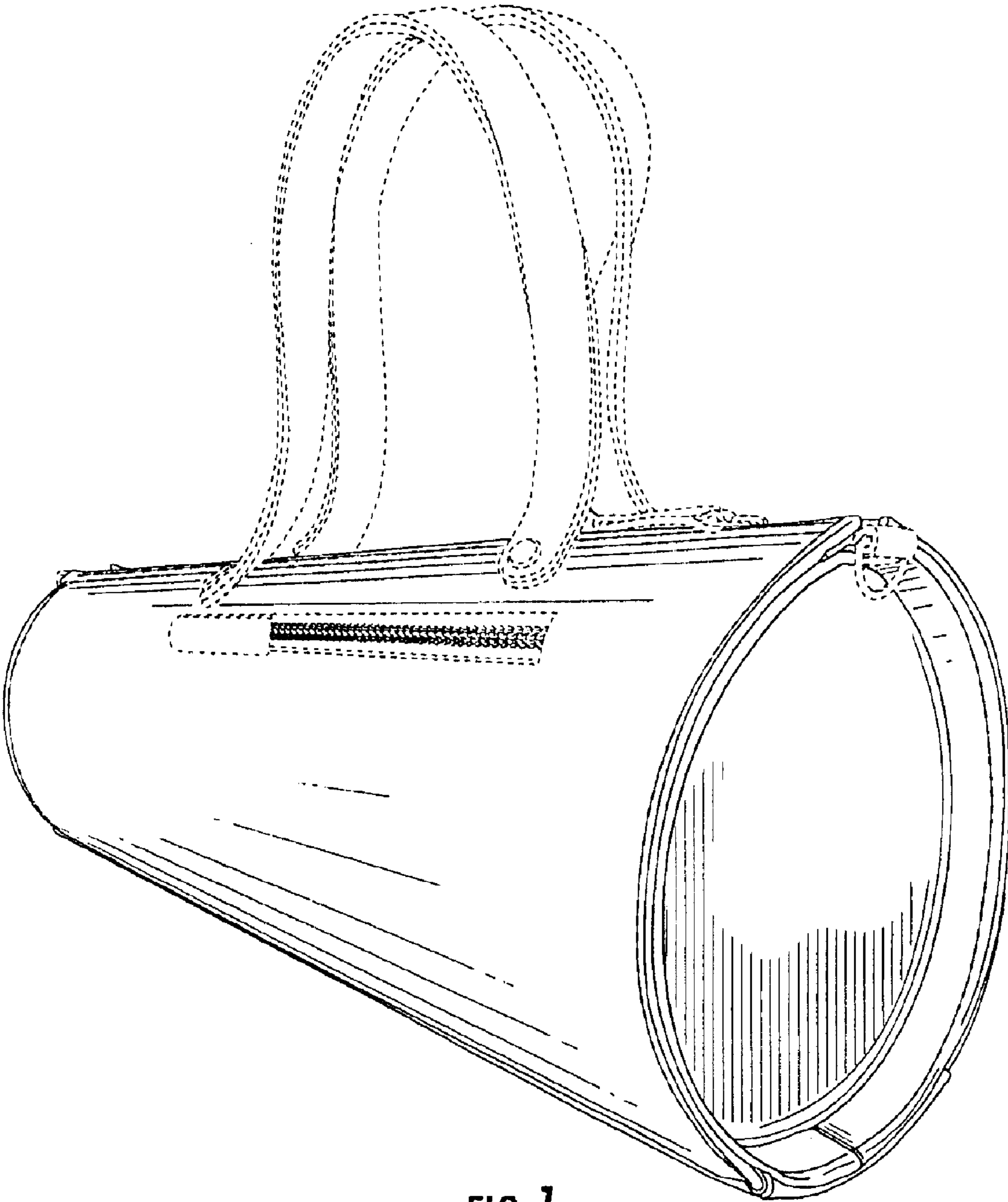


FIG. 1

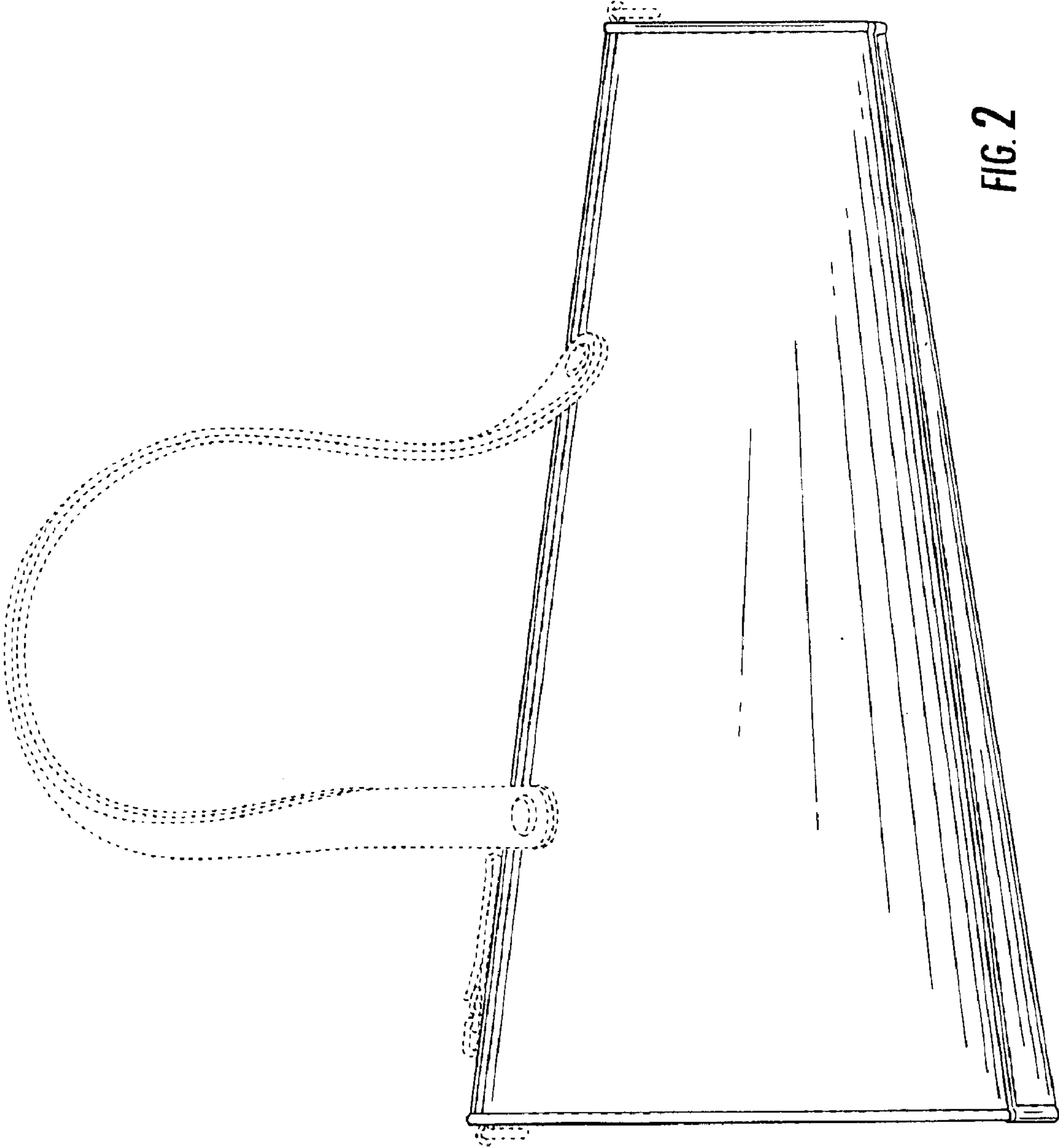


FIG. 2

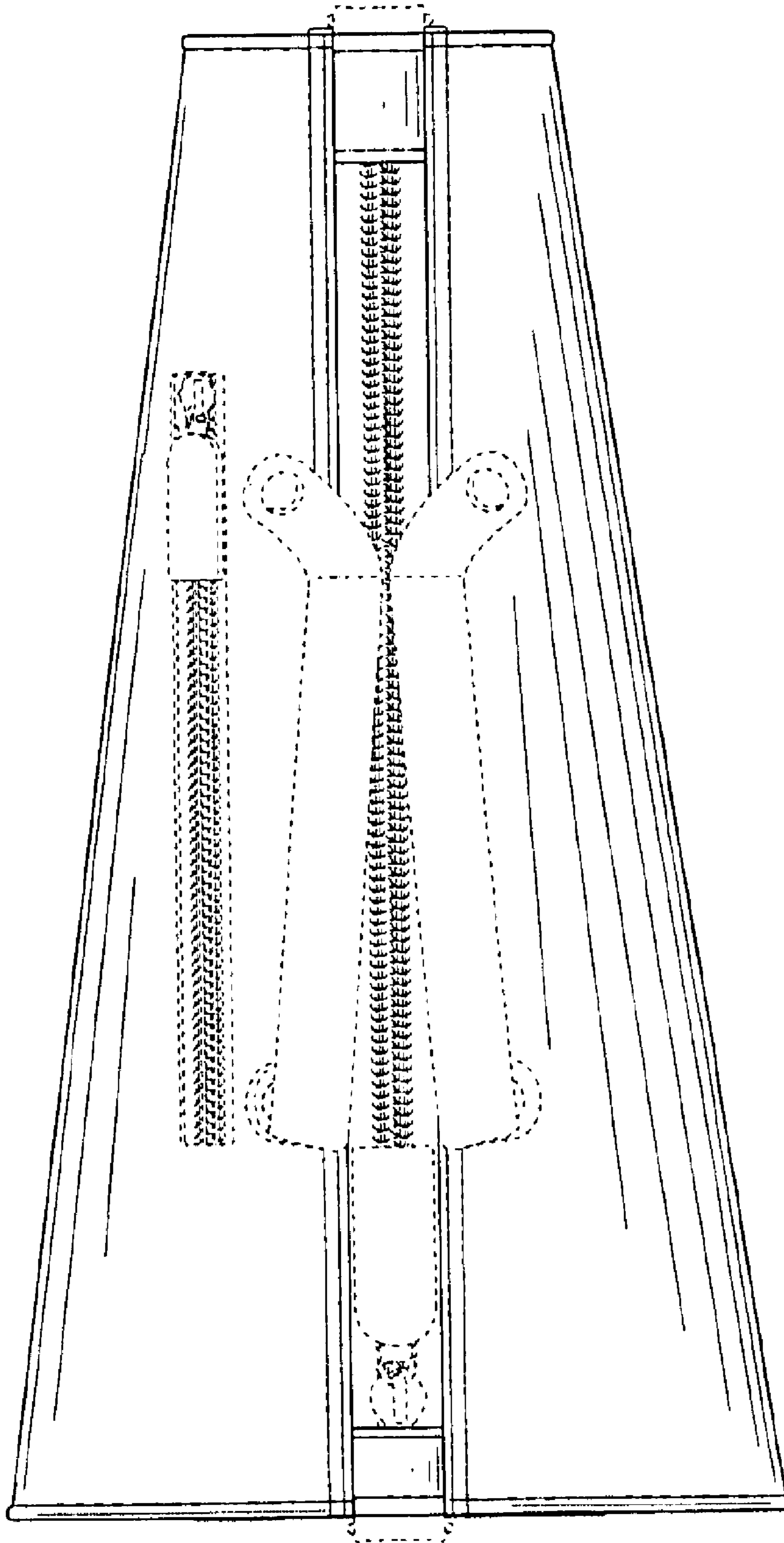


FIG. 3

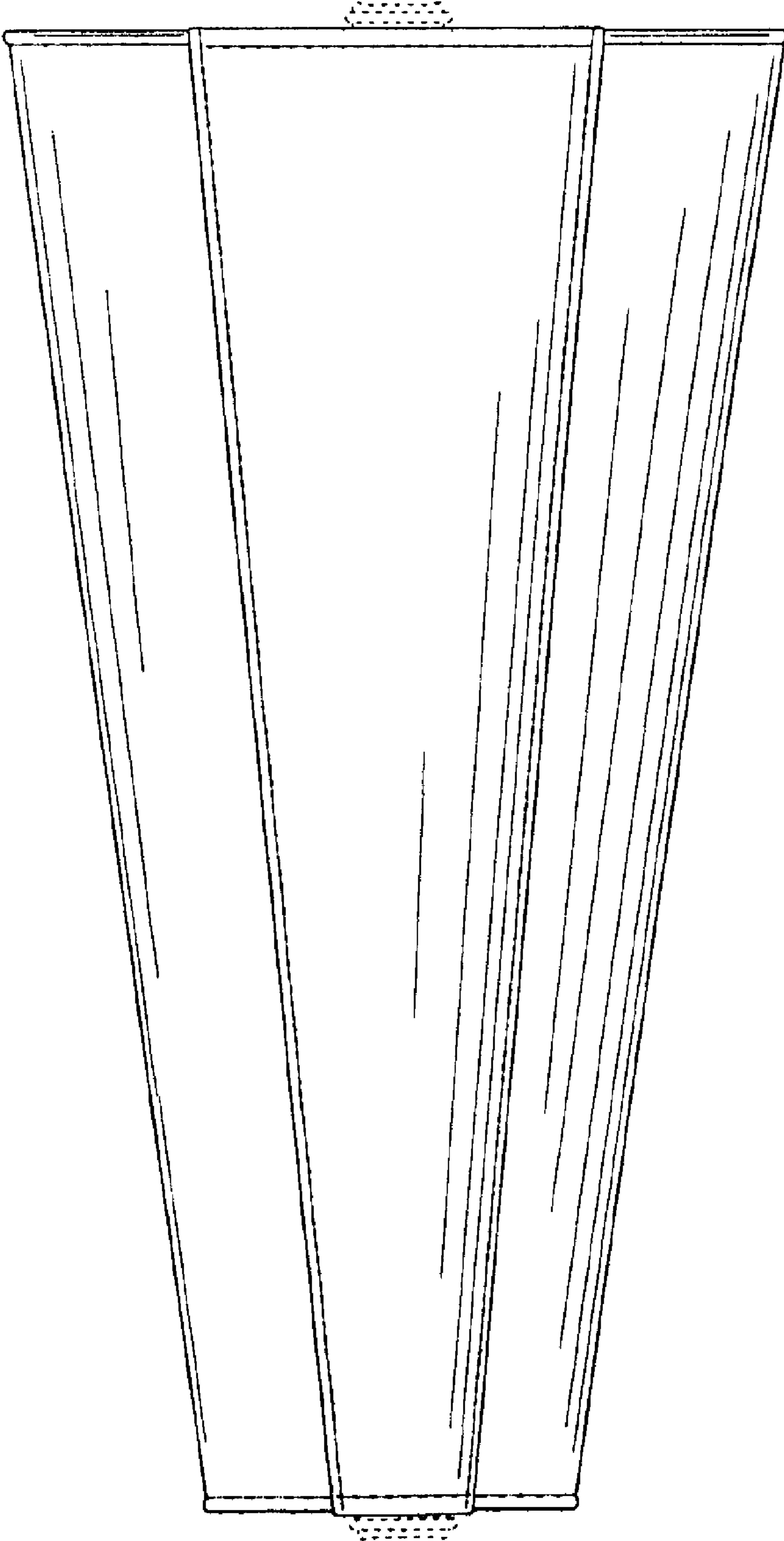


FIG. 4



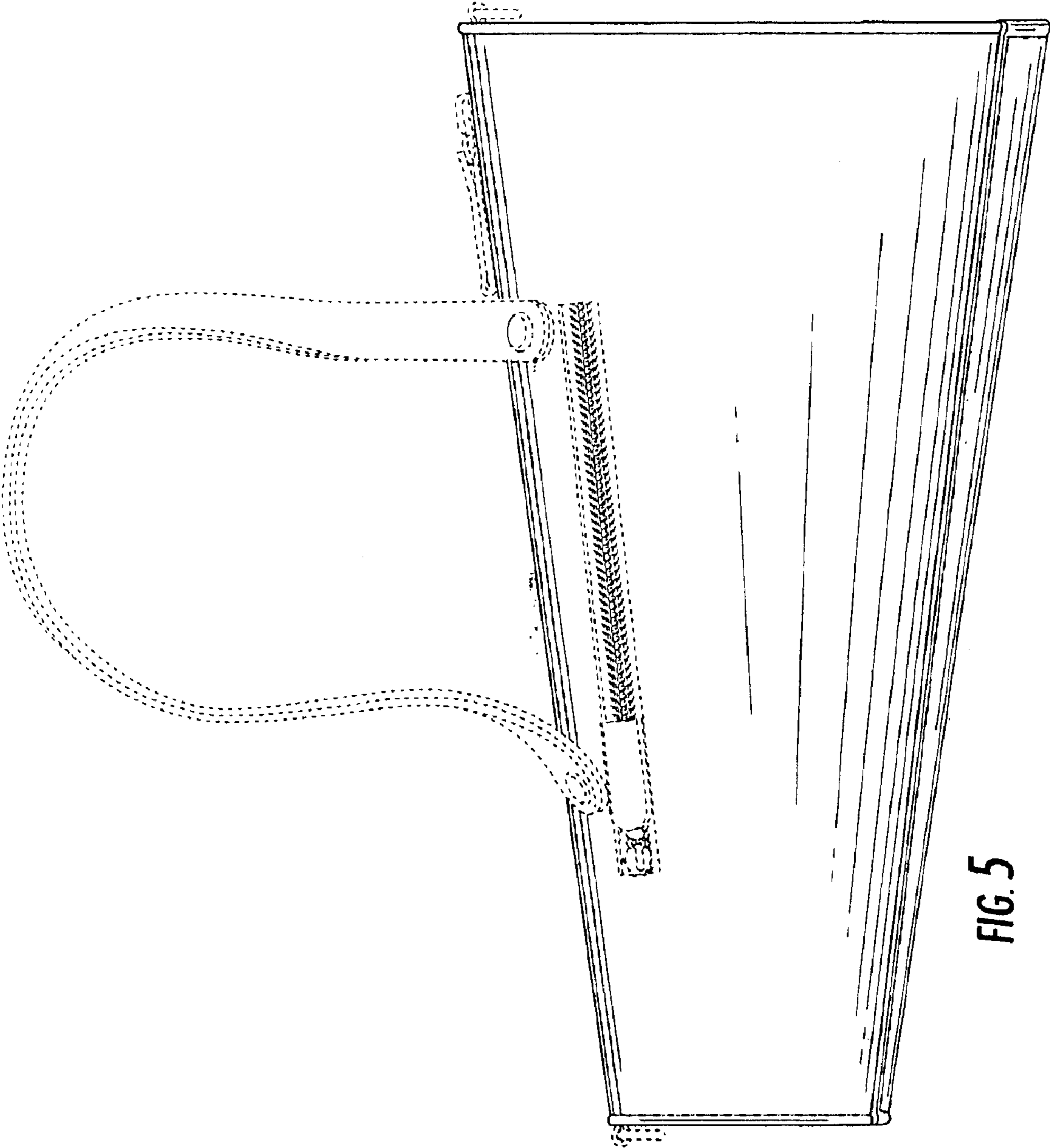
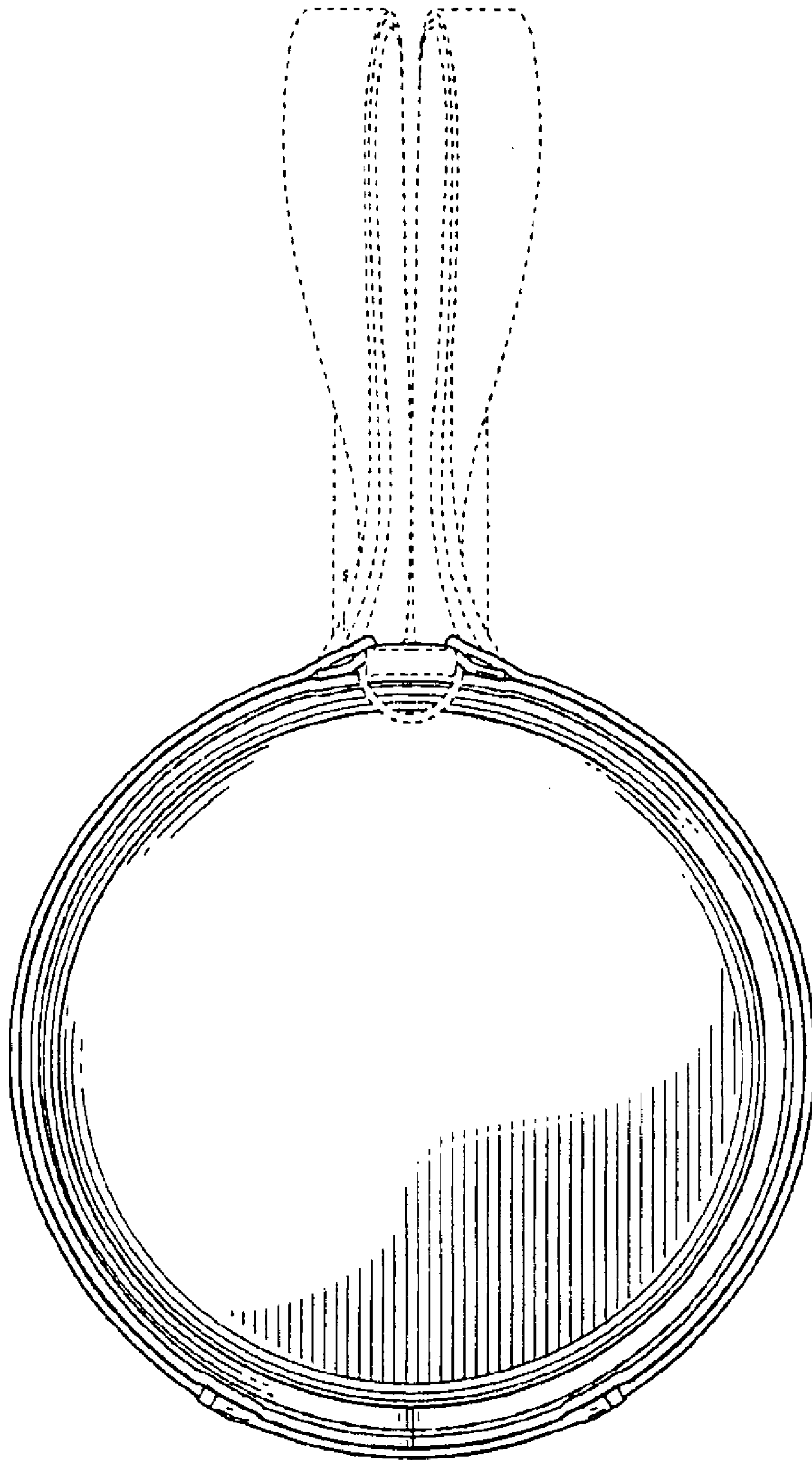


FIG. 5



**FIG. 6**

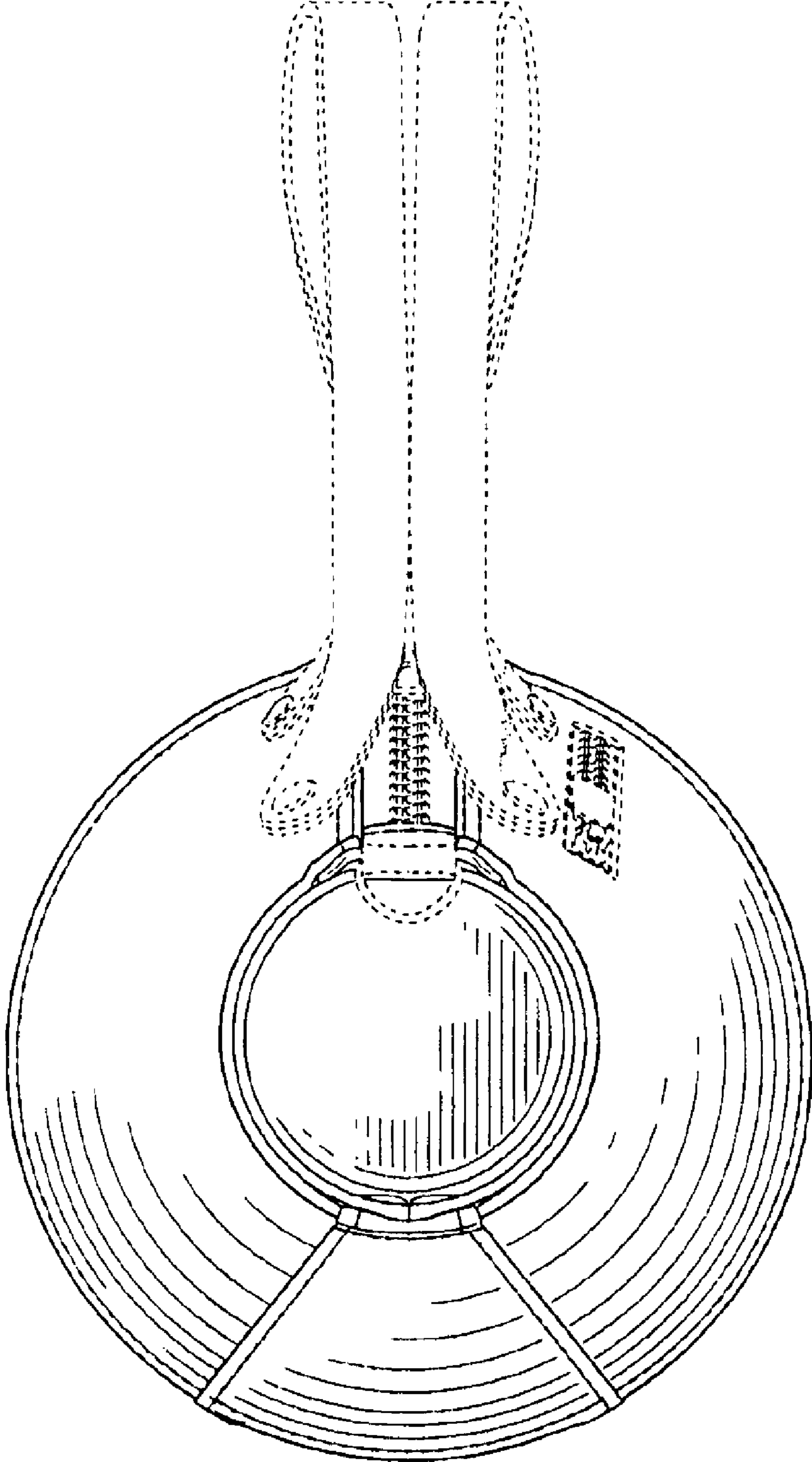


FIG. 7