



US00D501308S

(12) **United States Design Patent** (10) **Patent No.:** **US D501,308 S**
Sterns (45) **Date of Patent:** **** Feb. 1, 2005**

(54) **PILLBOX**
 (75) Inventor: **Anthony A. Sterns**, Akron, OH (US)
 (73) Assignee: **Creative Action LLC**, Akron, OH (US)
 (**) Term: **14 Years**

D451,422 S * 12/2001 Wenrich D3/215
 6,338,535 B1 1/2002 Rickert 206/317
 6,382,416 B1 5/2002 Gainey 206/317
 D458,837 S * 6/2002 Cragie D3/203.2
 6,464,506 B1 10/2002 Welles 434/238
 D483,560 S * 12/2003 Thompson D3/203.2

* cited by examiner

(21) Appl. No.: **29/202,001**
 (22) Filed: **Mar. 24, 2004**

Primary Examiner—Catherine R. Oliver
 (74) *Attorney, Agent, or Firm*—Rankin, Hill, Porter & Clark, LLP

(51) **LOC (7) Cl.** **03-01**
 (52) **U.S. Cl.** **D3/203.2**
 (58) **Field of Search** D3/201, 203.1,
 D3/203.2, 203.3, 215, 218, 205; 224/163,
 903, 240; 206/531–534, 538

(57) **CLAIM**

The ornamental design for a pillbox, as shown and described.

DESCRIPTION

(56) **References Cited**

U.S. PATENT DOCUMENTS

4,084,695 A	4/1978	Halbich	206/532
4,133,445 A	1/1979	Mandelbaum	220/234
4,253,572 A	3/1981	Halbich	206/538
4,345,541 A	8/1982	Villa-Real	
4,372,445 A	2/1983	Keffeler	206/532
4,572,376 A	2/1986	Wrennall	206/538
4,640,560 A	2/1987	Blum	312/234.1
4,785,932 A	11/1988	Checke	206/232
4,793,492 A	12/1988	Halbich	206/538
5,102,023 A *	4/1992	Nguyen	224/163
5,105,949 A	4/1992	Blair	206/534
D376,685 S *	12/1996	Weller et al.	D3/203.2
5,740,938 A	4/1998	Hofmann et al.	220/324
5,806,670 A	9/1998	Harlan et al.	206/232
5,921,394 A	7/1999	Shroff	206/534
6,032,085 A	2/2000	Laurent et al.	700/242
6,048,087 A	4/2000	Laurent et al.	364/479.12
6,082,544 A	7/2000	Romick	206/531
6,107,911 A	8/2000	Perrone	340/309.15
D440,039 S *	4/2001	Bergfeldt	D3/218
6,281,798 B1	8/2001	Laurent et al.	312/311

The present application claims priority from, and incorporates by reference U.S. provisional application Ser. No. 60/457,484, filed Mar. 25, 2003.

The present invention was developed with government support under a Small Business Innovation Research Program Grant. The government has certain rights in the invention.

FIG. 1 is a perspective view of a pillbox showing my new design;

FIG. 2 is a top plan view thereof;

FIG. 3 is a side elevation view thereof, taken from the left as viewed in FIG. 4;

FIG. 4 is a front elevation view thereof;

FIG. 5 is a side elevation view thereof, taken from the right as viewed in FIG. 4;

FIG. 6 is a rear elevation view thereof; and,

FIG. 7 is a bottom plan view thereof.

The broken line showing of environment in the drawings is for illustrative purposes only and forms no part of the claimed design.

1 Claim, 2 Drawing Sheets

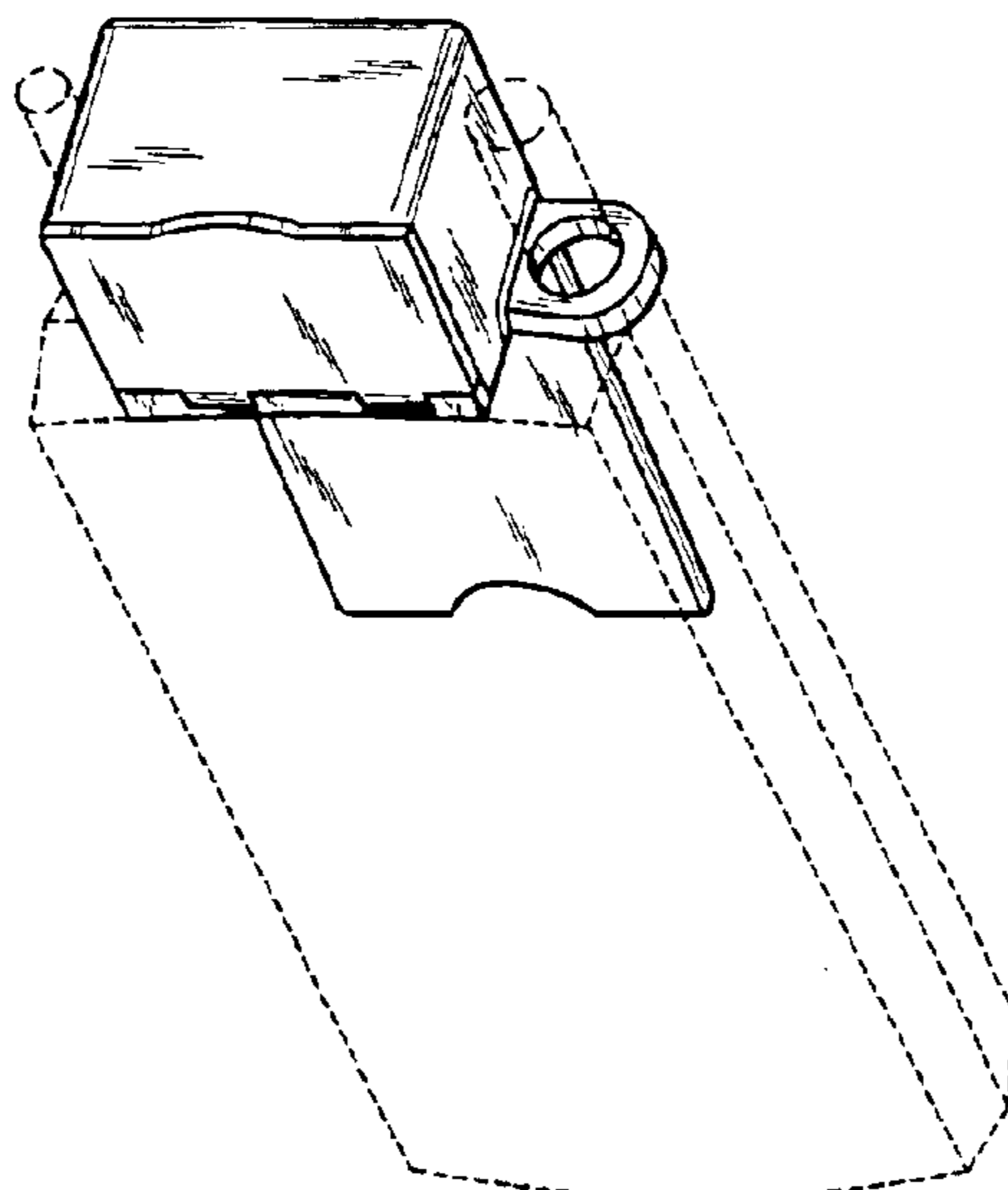


FIG. 1

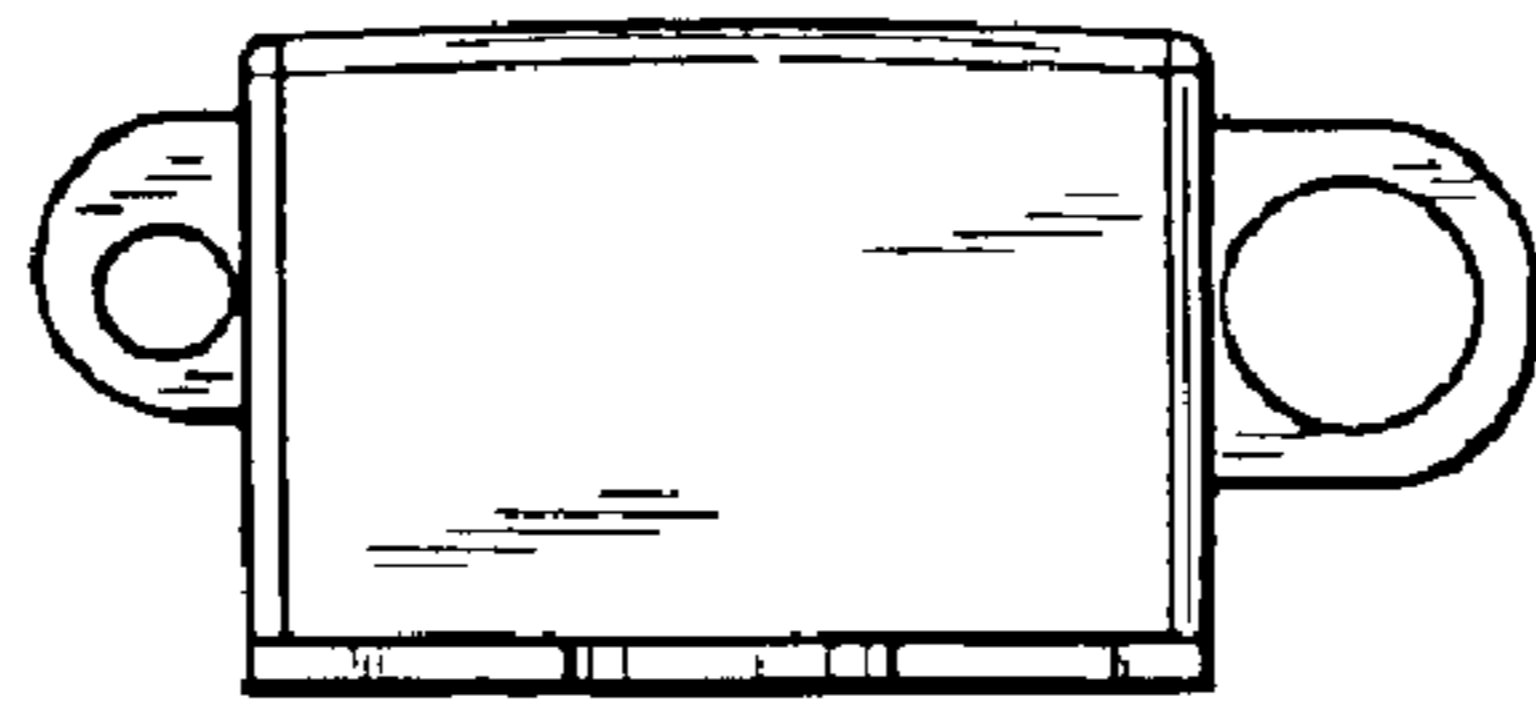
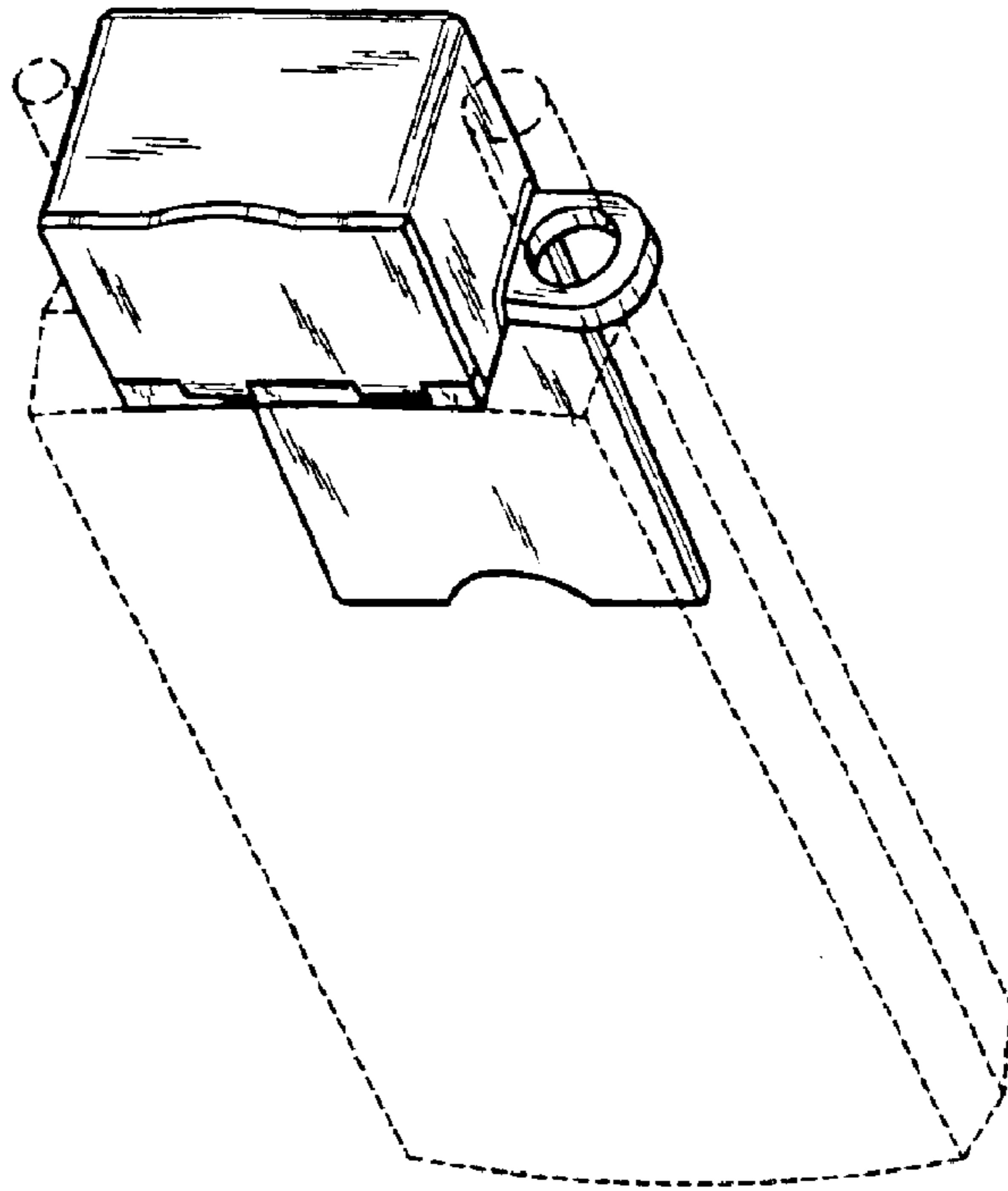


FIG. 2

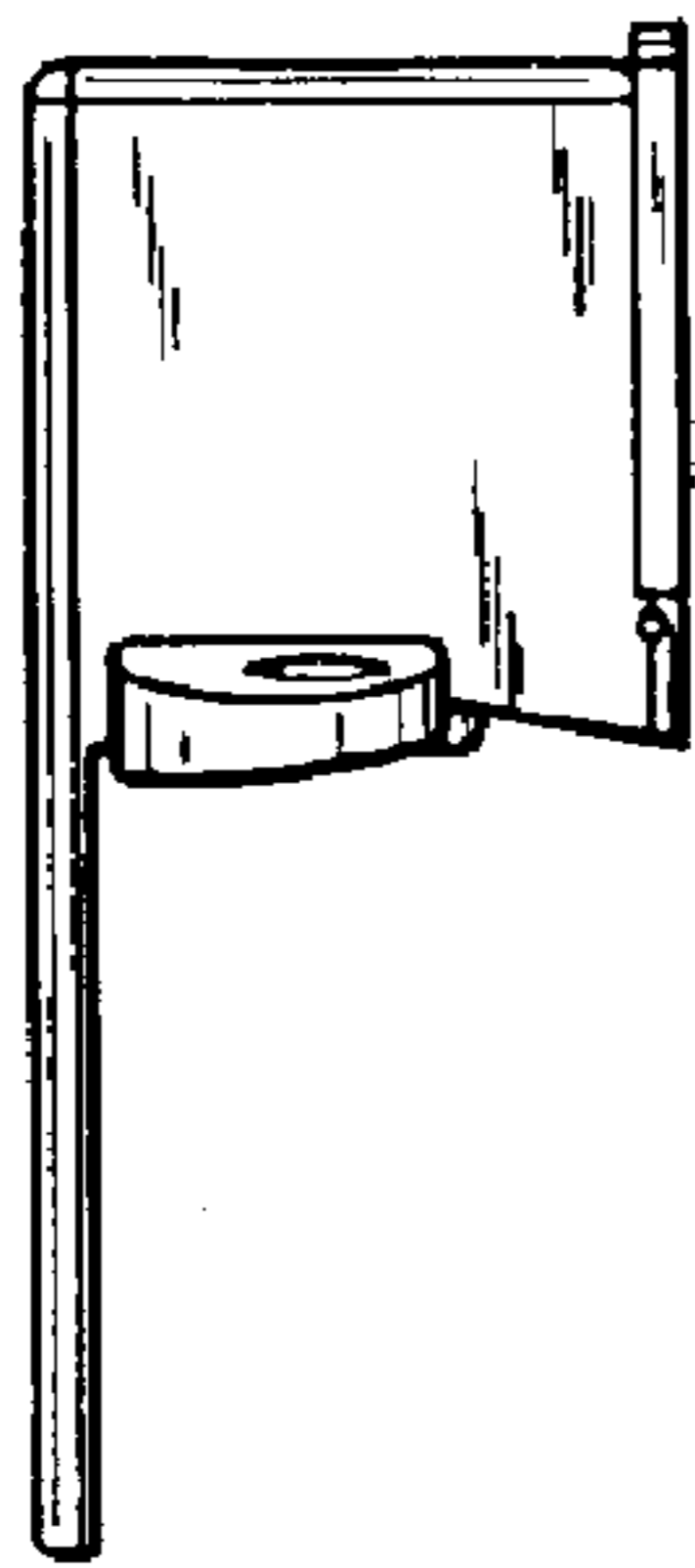


FIG. 3

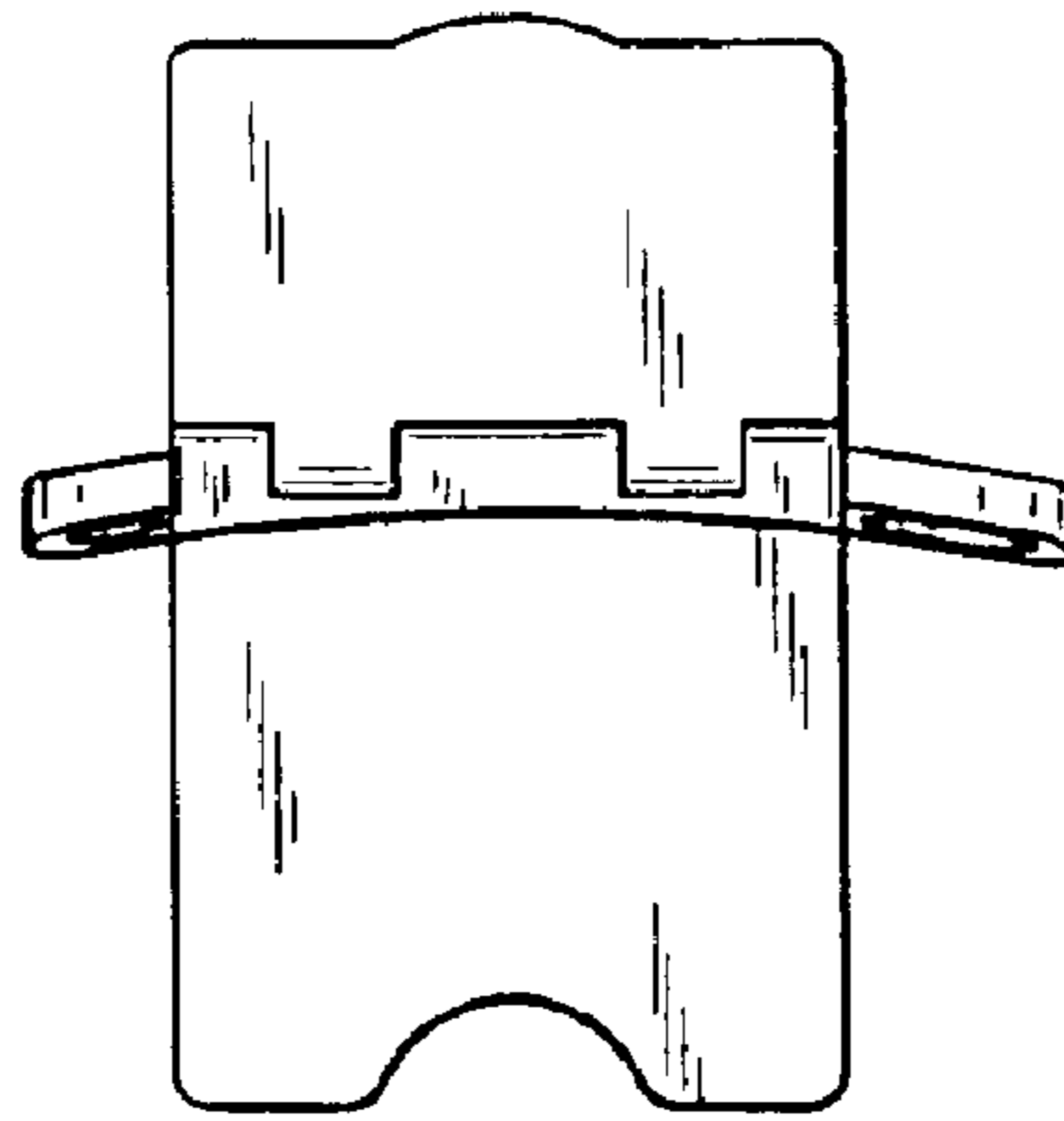


FIG. 4

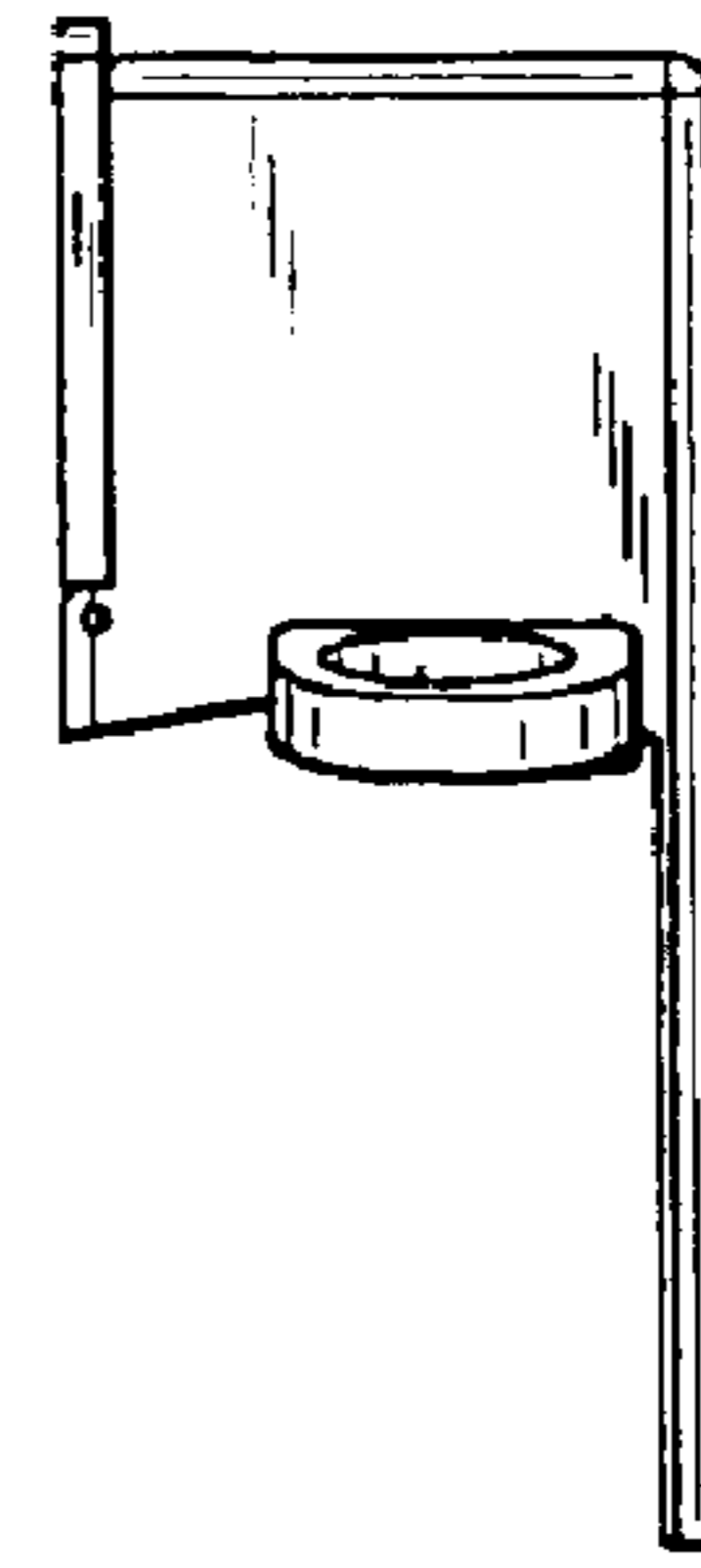


FIG. 5

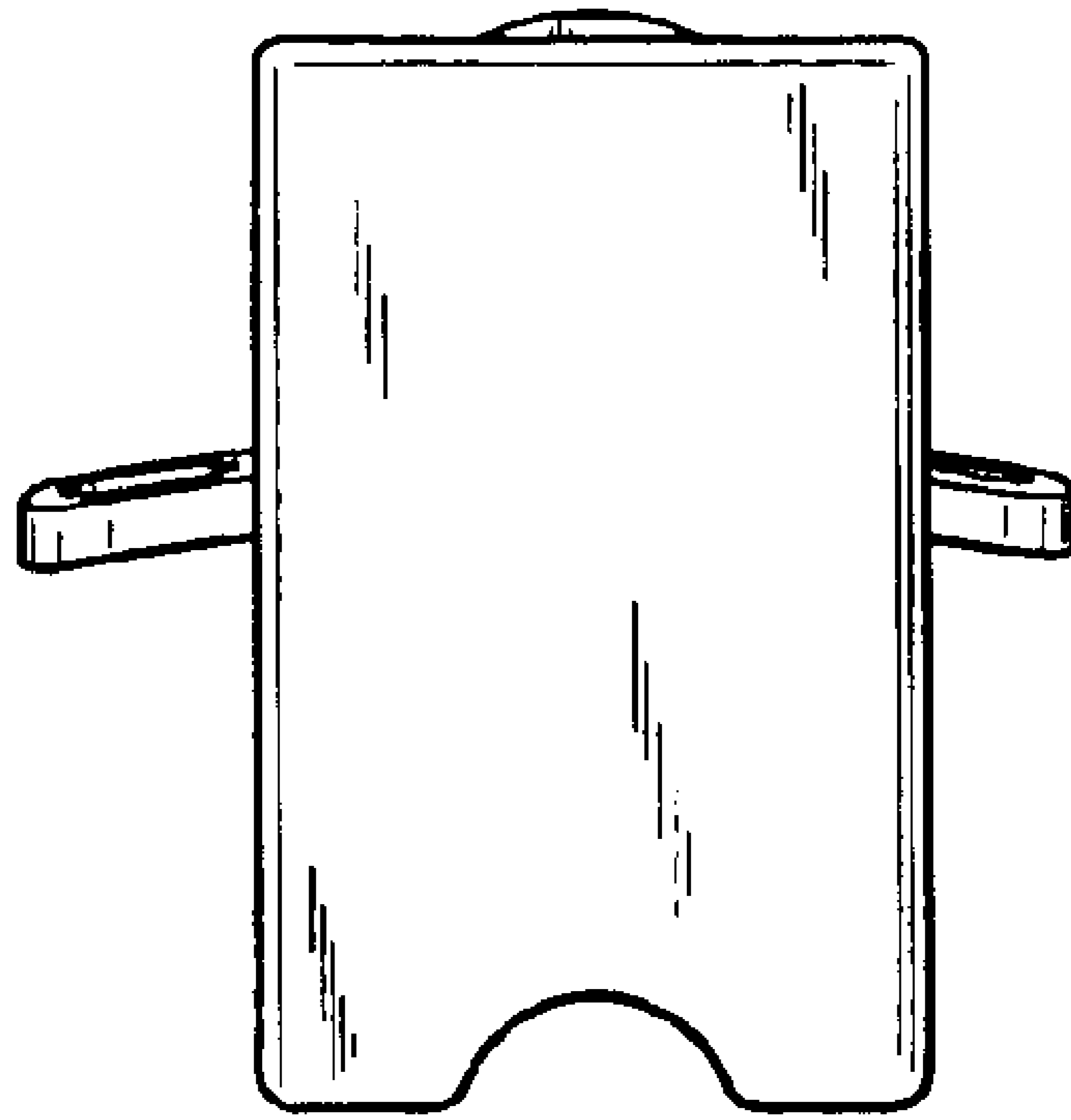


FIG. 6

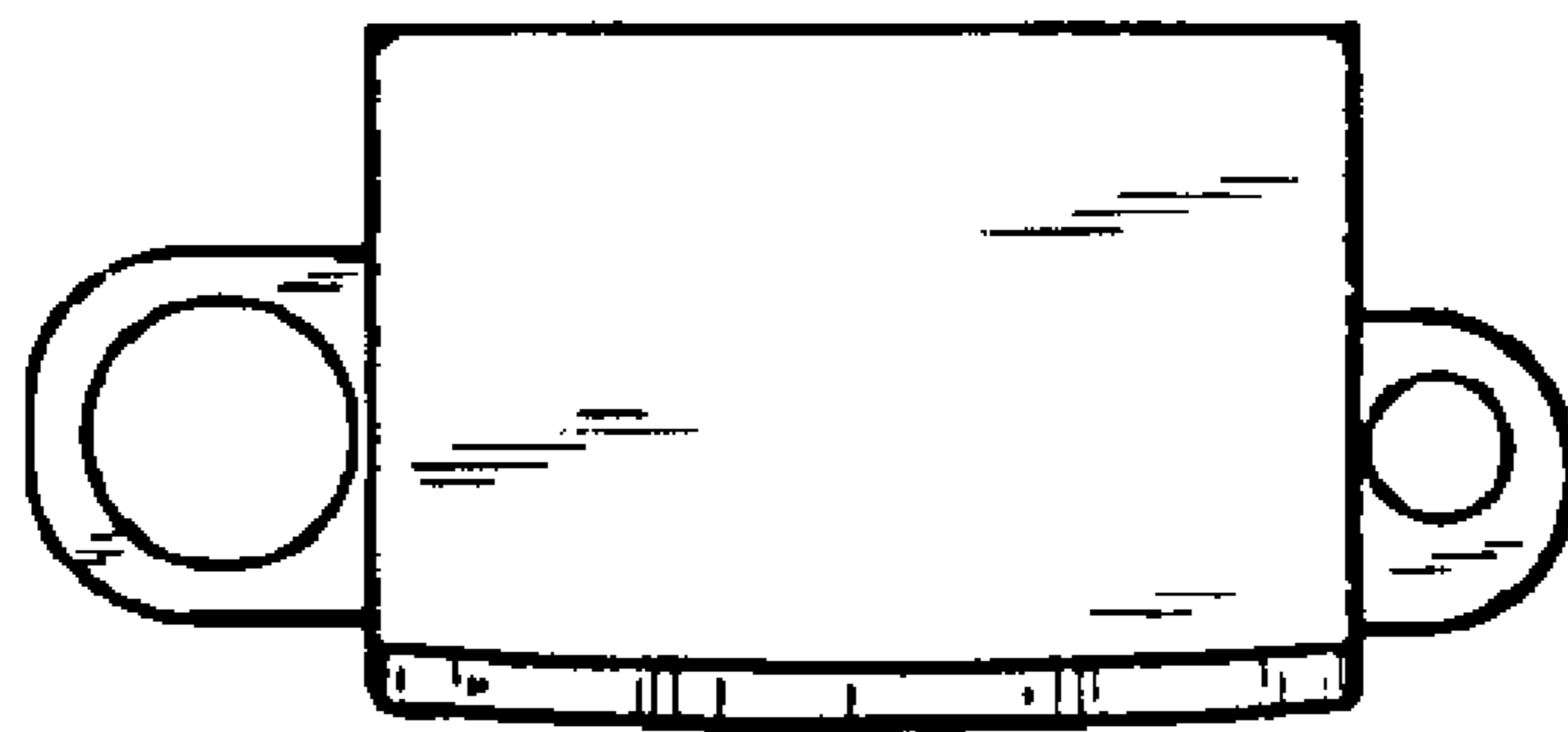


FIG. 7