



US00D501288S

(12) **United States Design Patent**
Taylor

(10) **Patent No.:** **US D501,288 S**
(45) **Date of Patent:** **** Feb. 1, 2005**

- (54) **ANATOMICALLY FITTED BELT**
- (75) **Inventor:** **David S. Taylor, Accrington (GB)**
- (73) **Assignee:** **3M Innovative Properties Company, St. Paul, MN (US)**
- (**) **Term:** **14 Years**
- (21) **Appl. No.:** **29/196,493**
- (22) **Filed:** **Dec. 30, 2003**
- (51) **LOC (7) Cl. 02-07**
- (52) **U.S. Cl. D2/627**
- (58) **Field of Search D2/627, 628, 629, D2/630; 2/311, 102, 336, 338; D21/662, 683; D29/101.5; D24/190; 603/13, 19; 297/473**

(56) **References Cited**

U.S. PATENT DOCUMENTS

2,726,714	A	*	12/1955	McAndrews	297/473
3,119,117	A	*	1/1964	Grubman	2/102
4,472,839	A	*	9/1984	Johansen	2/338
D358,215	S	*	5/1995	Reed	D24/190
5,570,824	A		11/1996	Lyon et al.		
D376,403	S	*	12/1996	Kato	D2/627
5,727,720	A		3/1998	Thatcher		
5,728,055	A	*	3/1998	Sebastian	602/19
5,871,132	A		2/1999	Hargreaves		
6,038,747	A		3/2000	Hamilton et al.		
D435,611	S	*	12/2000	Hines	D21/662
6,193,122	B1		2/2001	Buckley		
6,401,715	B1		6/2002	Luthe		

2002/0134809 A1 9/2002 Angus et al.

FOREIGN PATENT DOCUMENTS

WO WO 95/28065 9/1996

OTHER PUBLICATIONS

3M Jupiter Comfort Belt, Part No. 022-25-03P4 (first sold in 2001).

Hornell AdFlo7 powered respirator and belt, www.hornell.com/Regional/0/products/adflo (printed Sep. 16, 2003).

* cited by examiner

Primary Examiner—Paula A. Greene

(74) *Attorney, Agent, or Firm*—James L. Young; Karl G. Hanson

(57) **CLAIM**

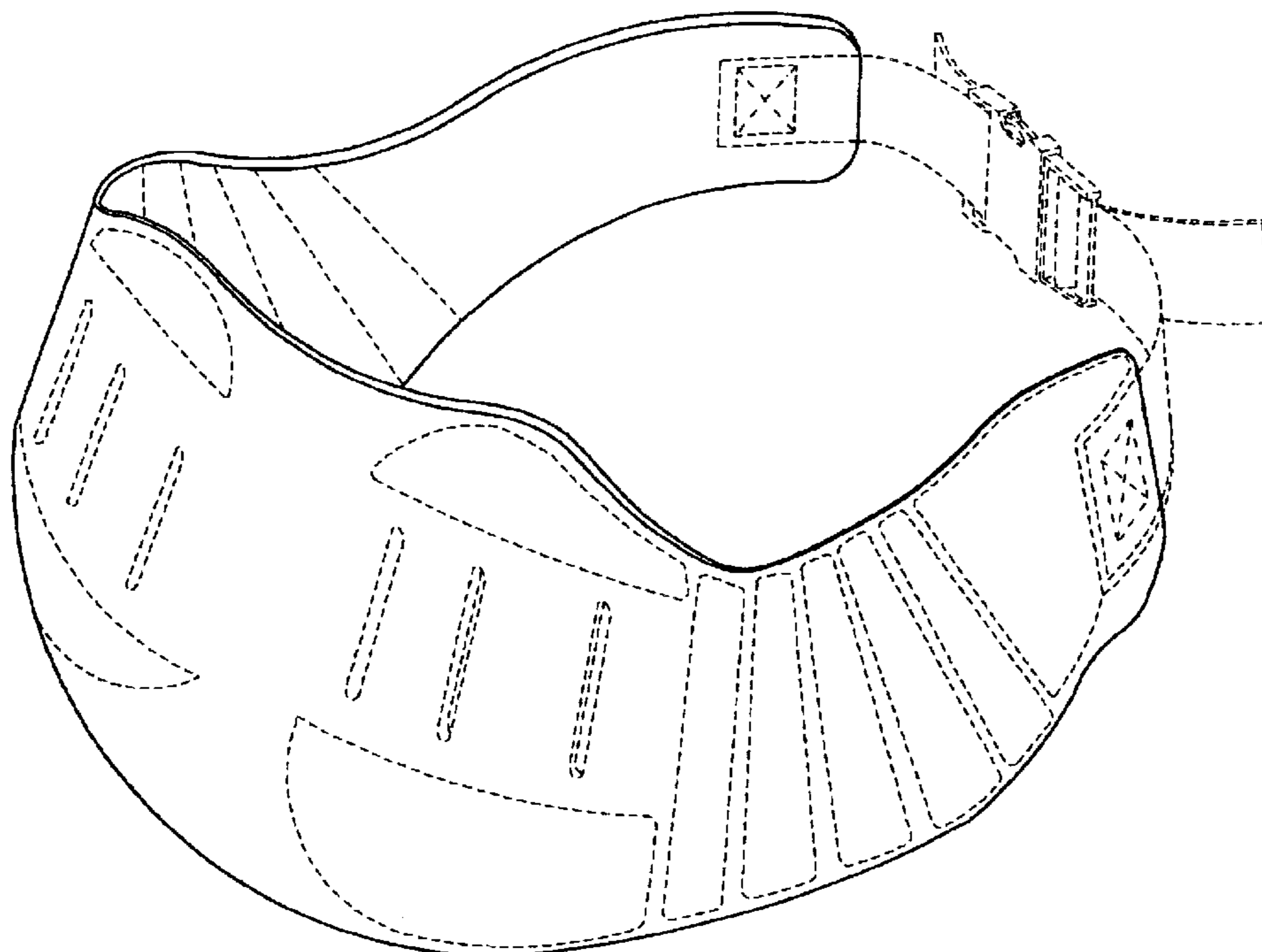
The ornamental design for an anatomically fitted belt, as shown and described.

DESCRIPTION

FIG. 1 is a perspective view thereof;
 FIG. 2 is a rear elevational view thereof;
 FIG. 3 is a front elevational view thereof;
 FIG. 4 is a top view thereof;
 FIG. 5 is a side view thereof (the view from the other side is a mirror image); and,
 FIG. 6 is a bottom view thereof.

The dashed broken lines in FIGS. 1-6 do not form a part of the claimed design.

1 Claim, 4 Drawing Sheets



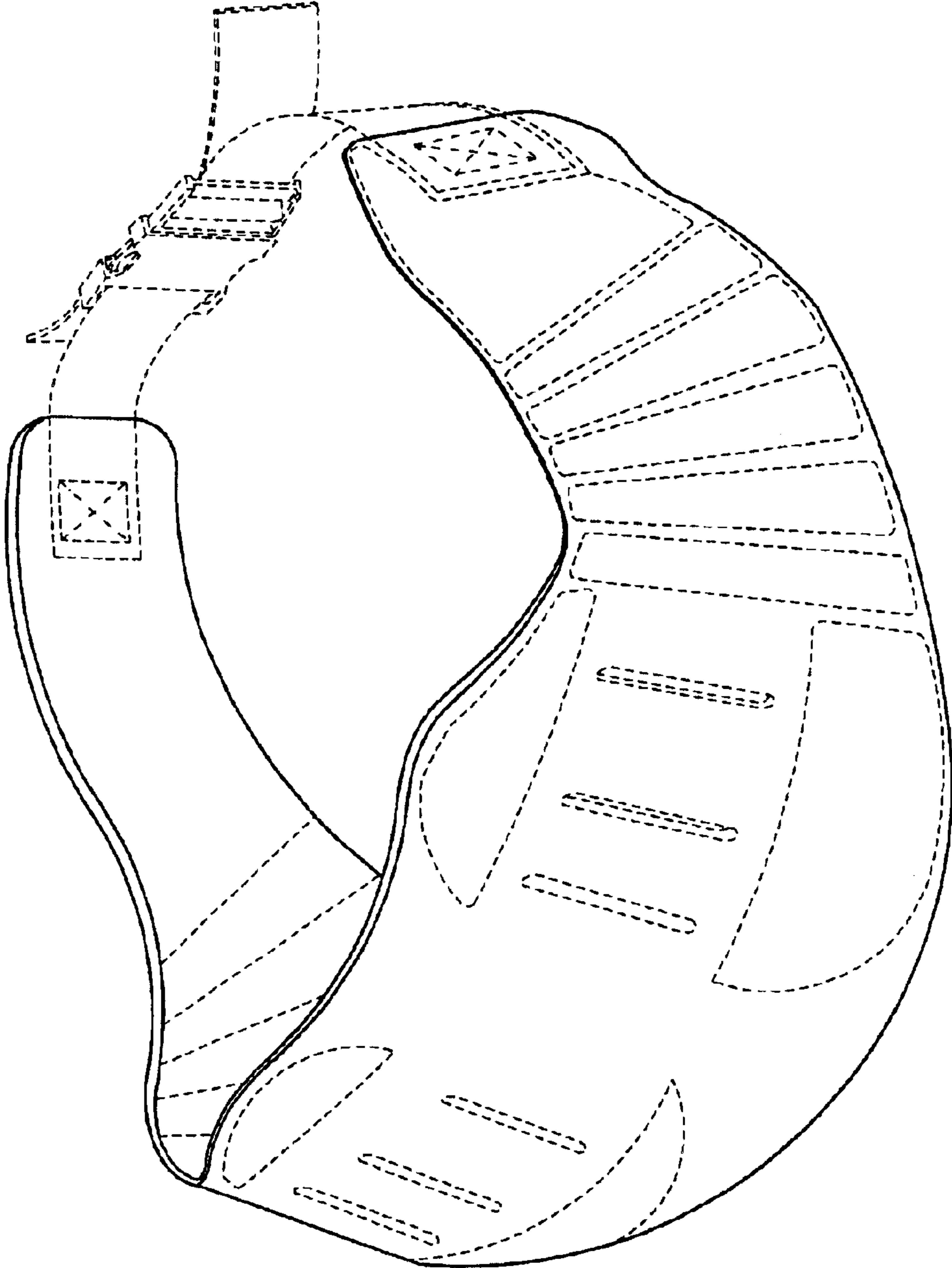


FIG. 1

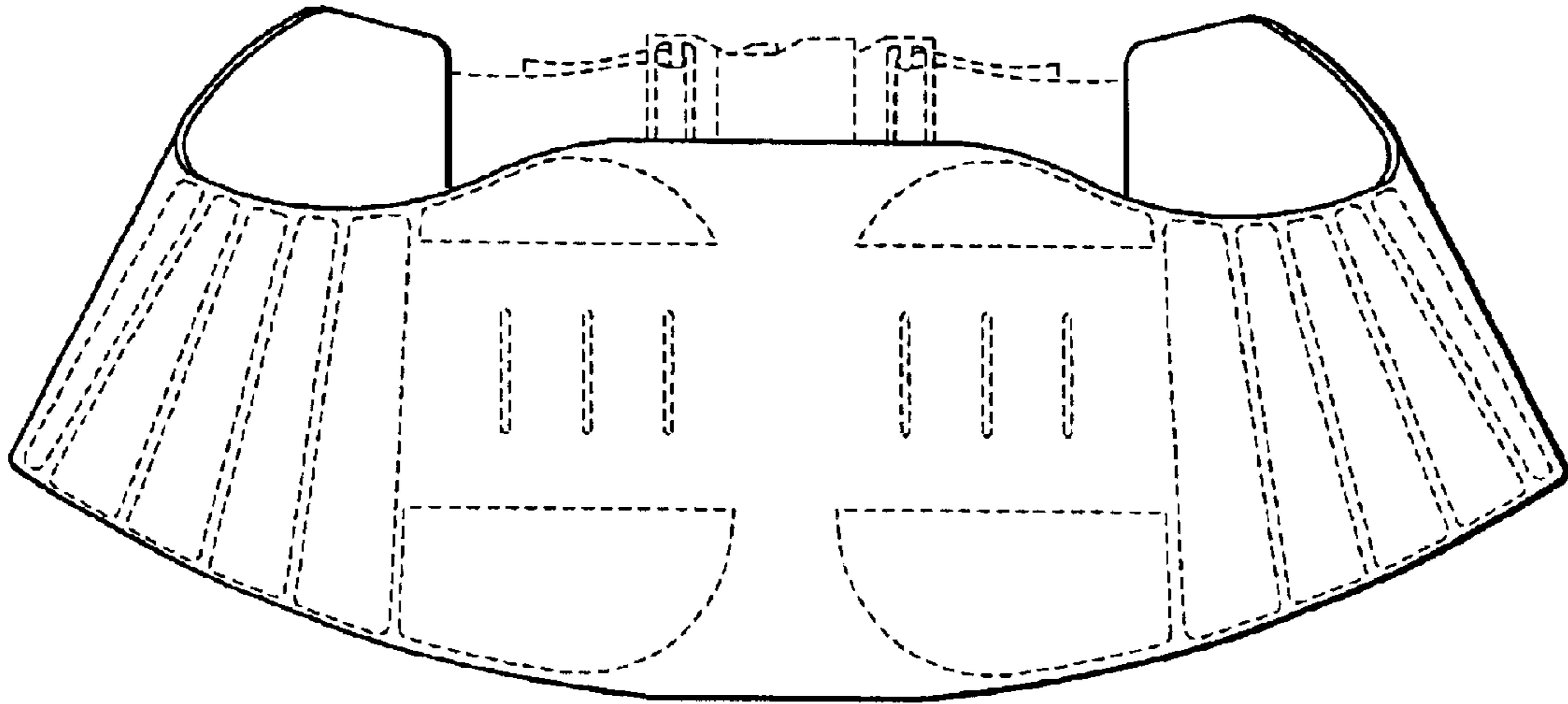


FIG. 2

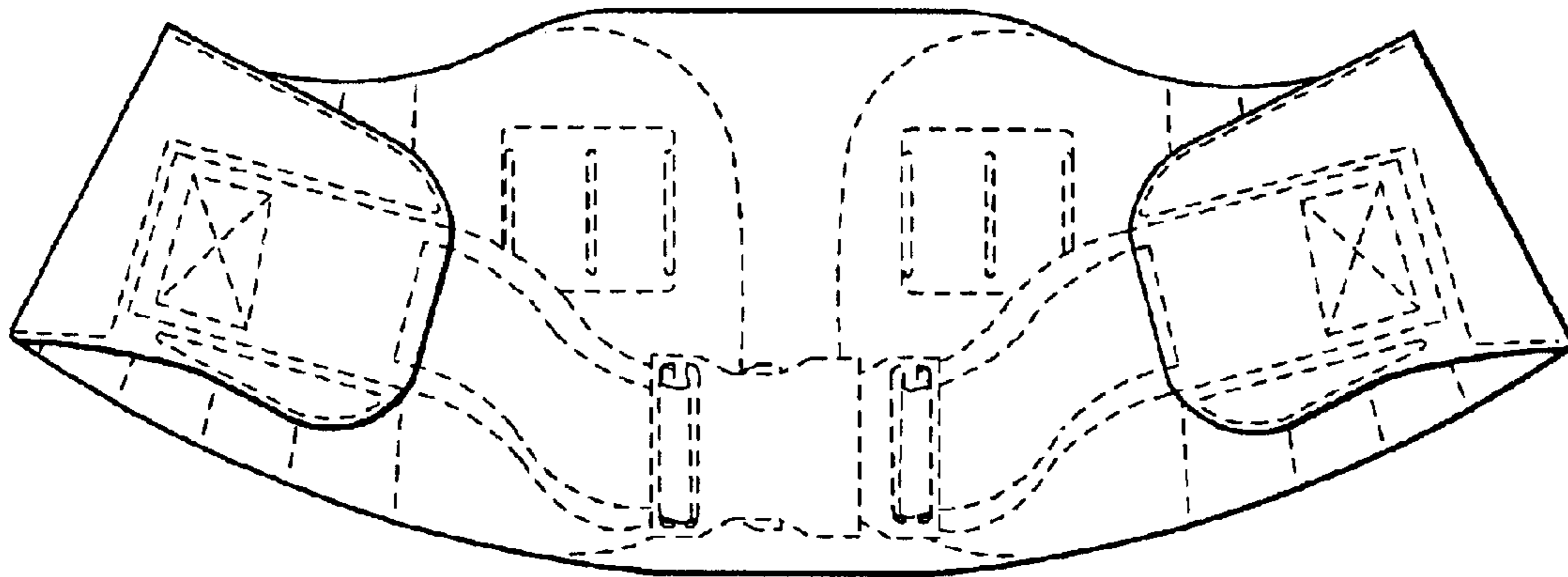


FIG. 3

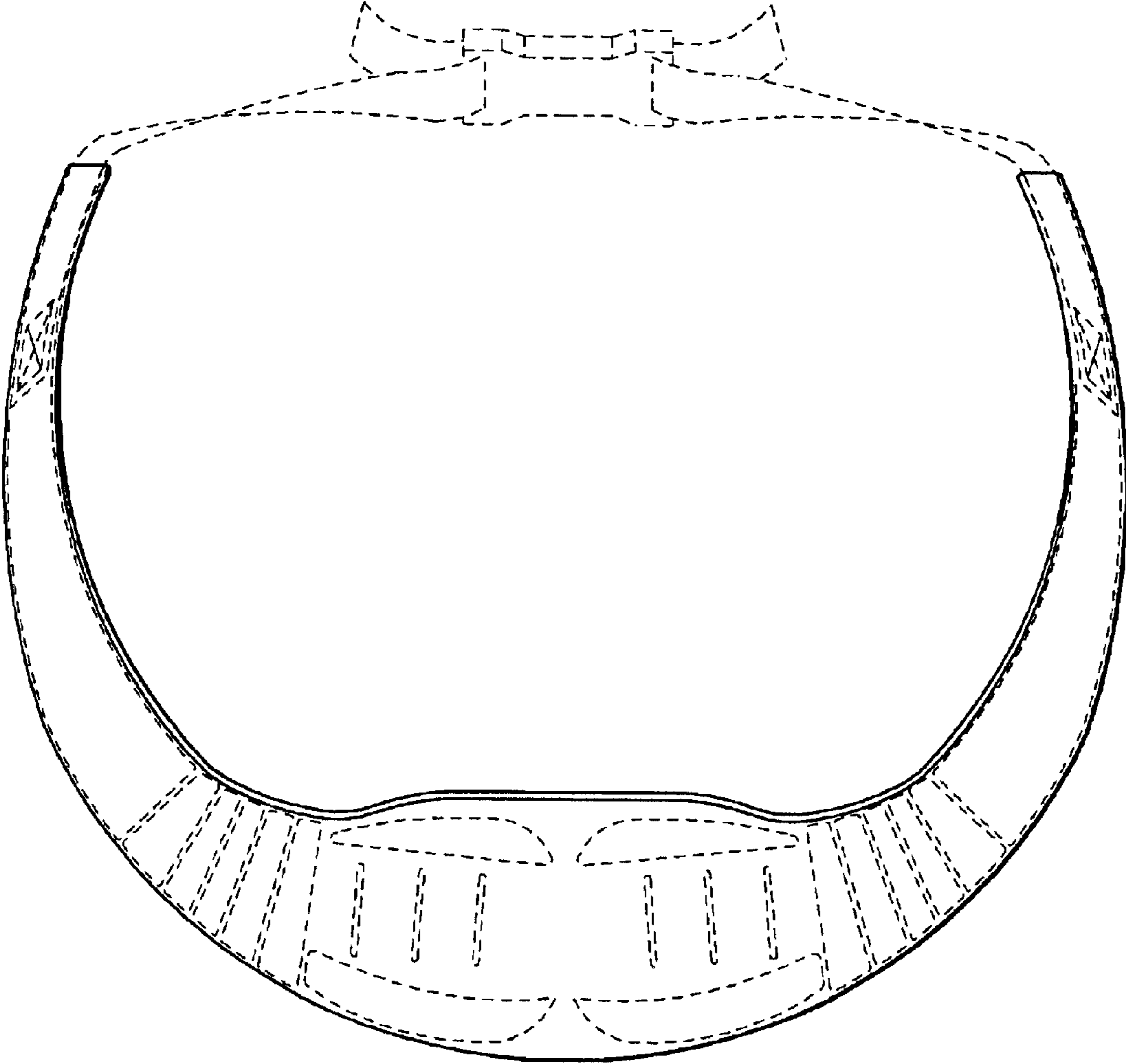


FIG. 4

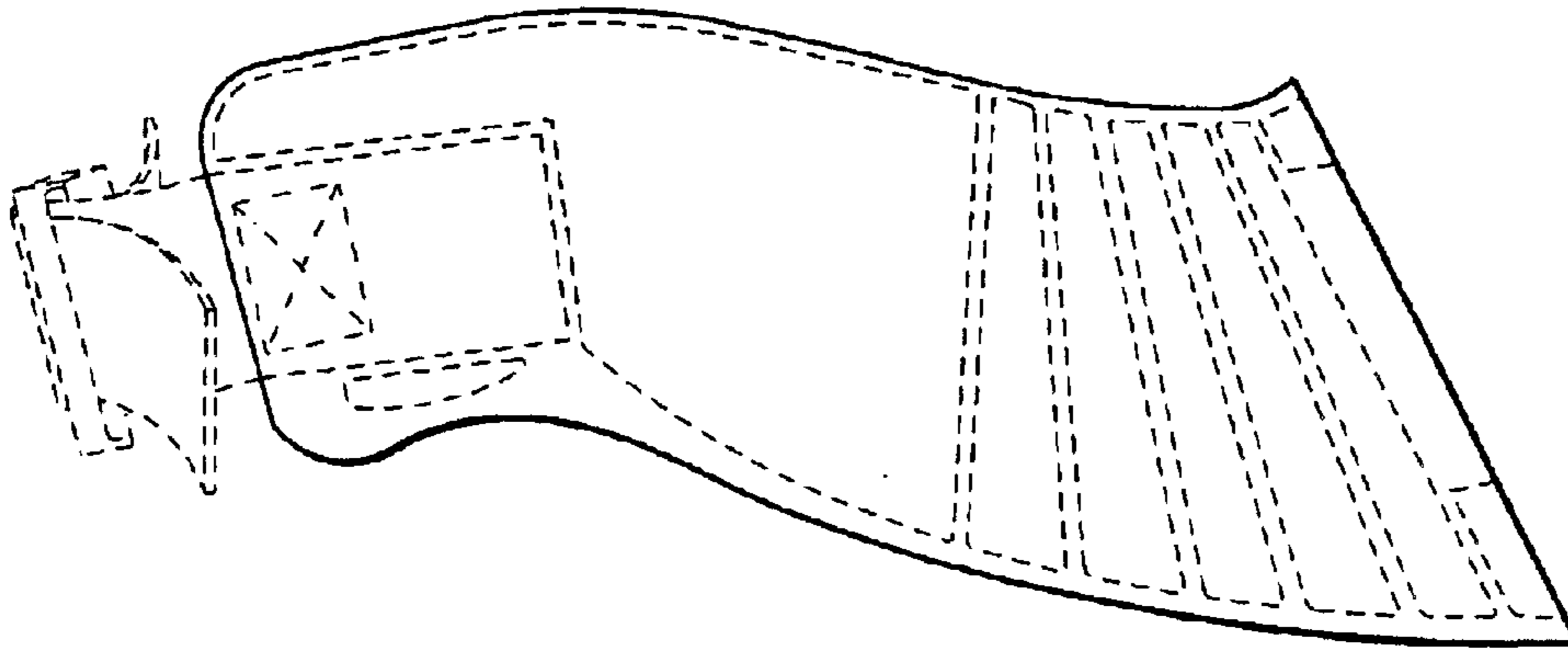


FIG. 5

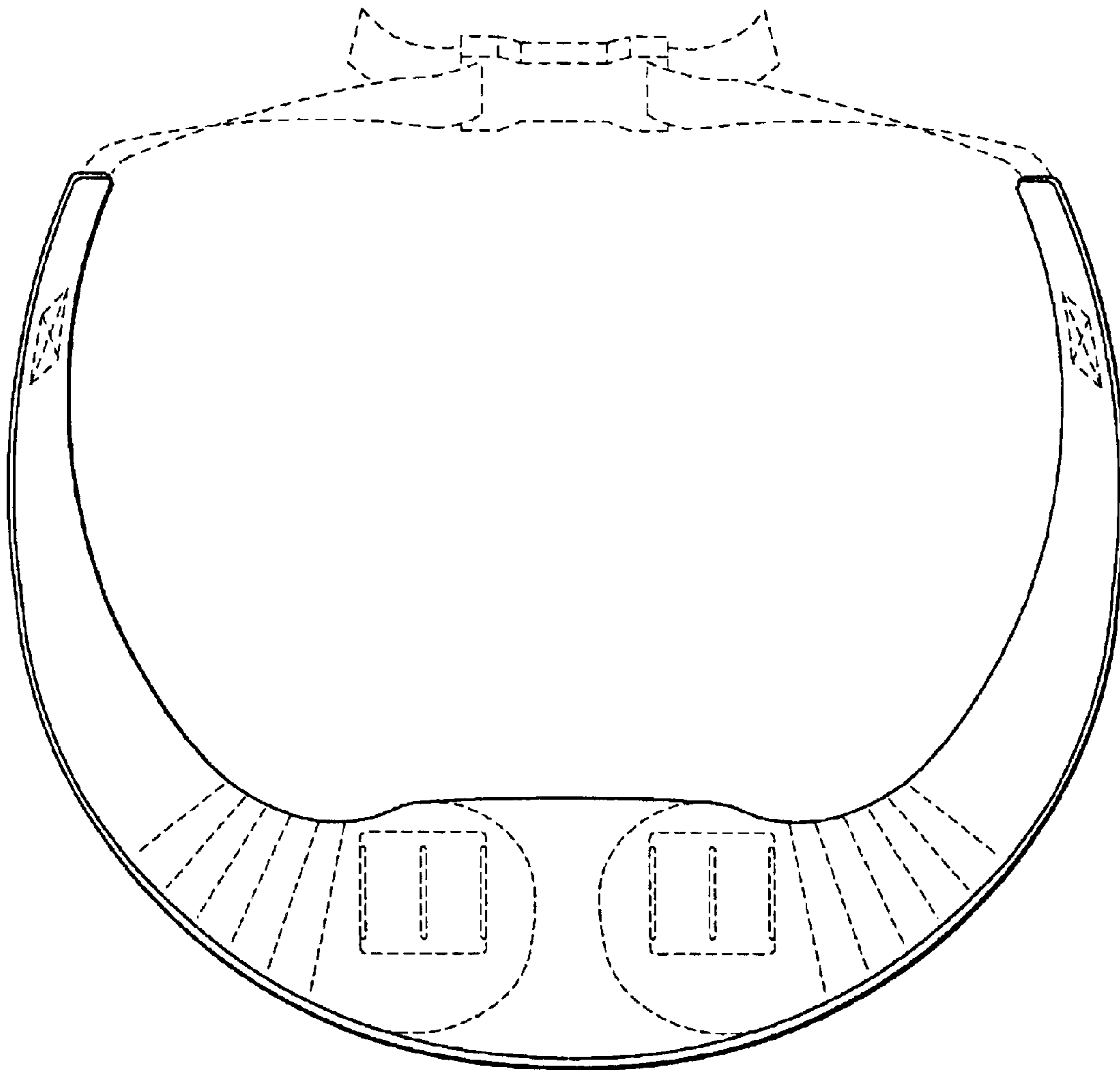


FIG. 6