

US00D501283S

(12) **United States Design Patent**  
**Carr et al.**

(10) **Patent No.: US D501,283 S**  
(45) **Date of Patent: \*\* Jan. 25, 2005**

(54) **SWEEPER BASE**

D486,281 S 2/2004 Moine

(75) Inventors: **Adam G. Carr**, Grand Rapids, MI (US); **Douglas J. Medema**, Belding, MI (US)

**FOREIGN PATENT DOCUMENTS**

GB 2 392 611 3/2004

(73) Assignee: **BISSELL Homecare, Inc.**, Grand Rapids, MI (US)

**OTHER PUBLICATIONS**

(\*\*) Term: **14 Years**

EURO-PRO Shark Cordless Sweeper, Model No. UV610SH, [online]. Amazon, Nov. 15, 2002 [retrieved on Sep. 9, 2004]. Retrieved from the Internet: <URL: http://www.amazon.com>.\*

(21) Appl. No.: **29/201,565**

Drawings of BISSELL Upright Vacuum Cleaner Base, 4 pgs., introduced Oct. 2003.

(22) Filed: **Mar. 17, 2004**

\* cited by examiner

(51) **LOC (7) Cl.** ..... **15-05**

(52) **U.S. Cl.** ..... **D32/38**

(58) **Field of Search** ..... D32/21, 22, 31-33, D32/38, 39; 15/41.1, 42-46, 48, 48.1, 79.1, 49.1, 50.3, 415

*Primary Examiner*—Alan P. Douglas  
*Assistant Examiner*—Lavone D. Tabor  
(74) *Attorney, Agent, or Firm*—McGarry Bair PC

(57) **CLAIM**

(56) **References Cited**

The ornamental design for a sweeper base, as shown and described.

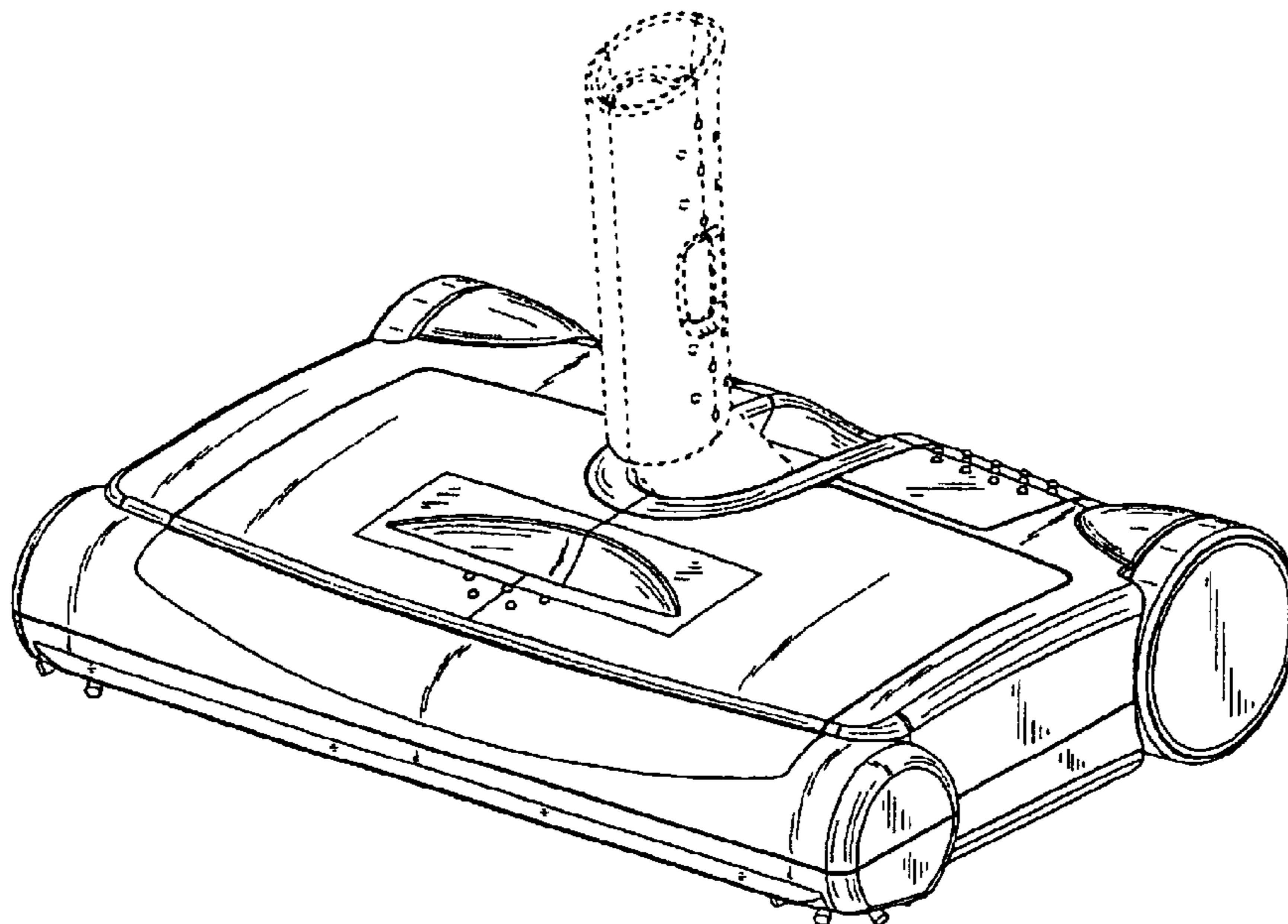
**U.S. PATENT DOCUMENTS**

**DESCRIPTION**

3,184,775 A	5/1965	Downey et al.
5,208,935 A	5/1993	Jailor et al.
D375,821 S	11/1996	Roberts et al.
D376,879 S	12/1996	Selewski et al.
D416,115 S	11/1999	Rohn et al.
D418,267 S	12/1999	Lin
D425,273 S	5/2000	Stephens et al.
D431,887 S	10/2000	Bradd et al.
6,237,189 B1	5/2001	Maurer et al.
D457,278 S	5/2002	Alford et al.
D469,936 S	2/2003	Mchaffey
D473,687 S	4/2003	Kaffenberger
D474,315 S	5/2003	Archer et al.
D475,823 S	6/2003	Medema et al.

FIG. 1 is a front perspective view of a sweeper base which embodies our design;  
FIG. 2 is a front view thereof;  
FIG. 3 is a rear view thereof;  
FIG. 4 is a right side view thereof,  
FIG. 5 is a left side view thereof; and,  
FIG. 6 is a top view thereof.  
The drawings include dotted lines that form no part of our design.

**1 Claim, 4 Drawing Sheets**



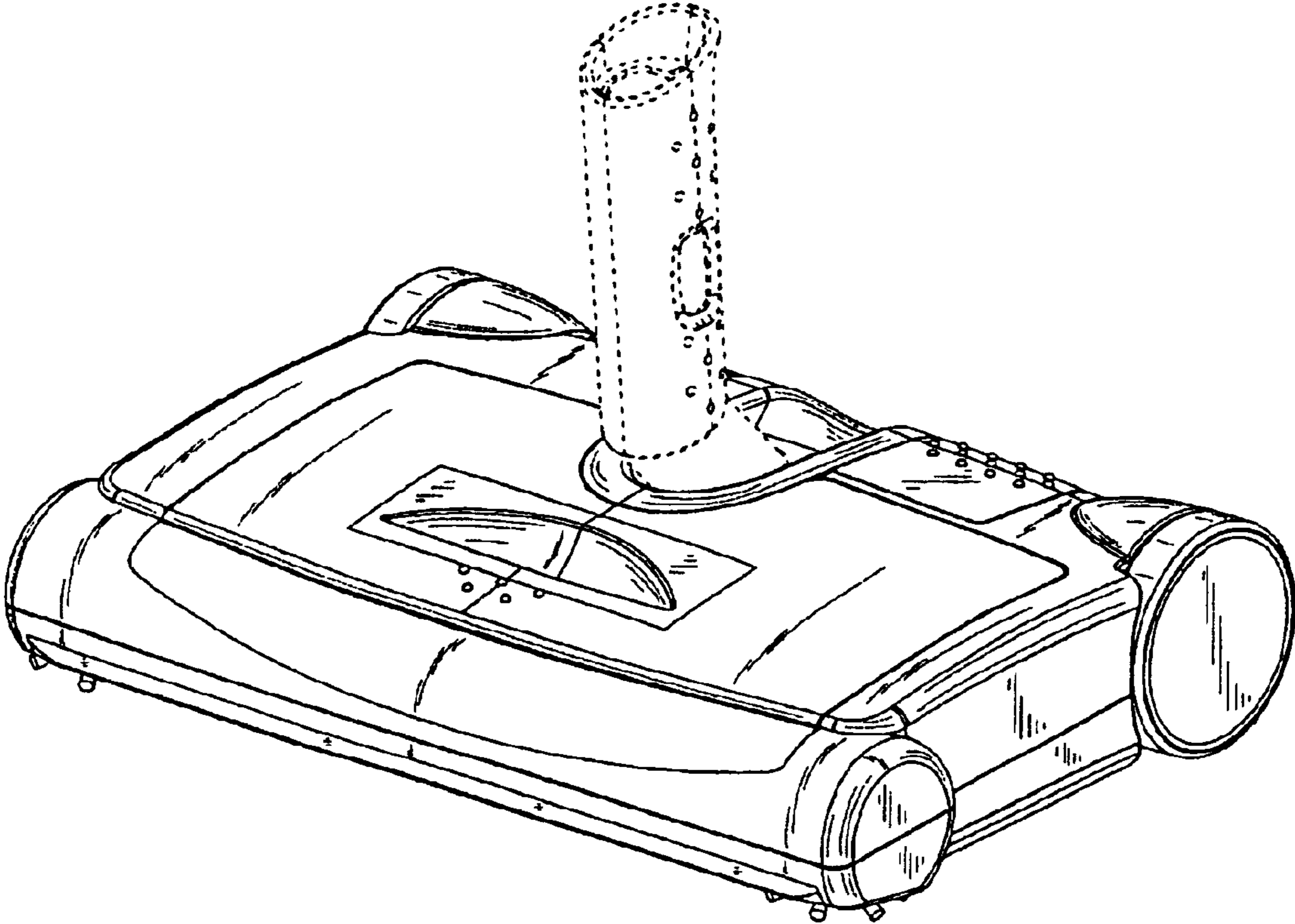


Fig. 1

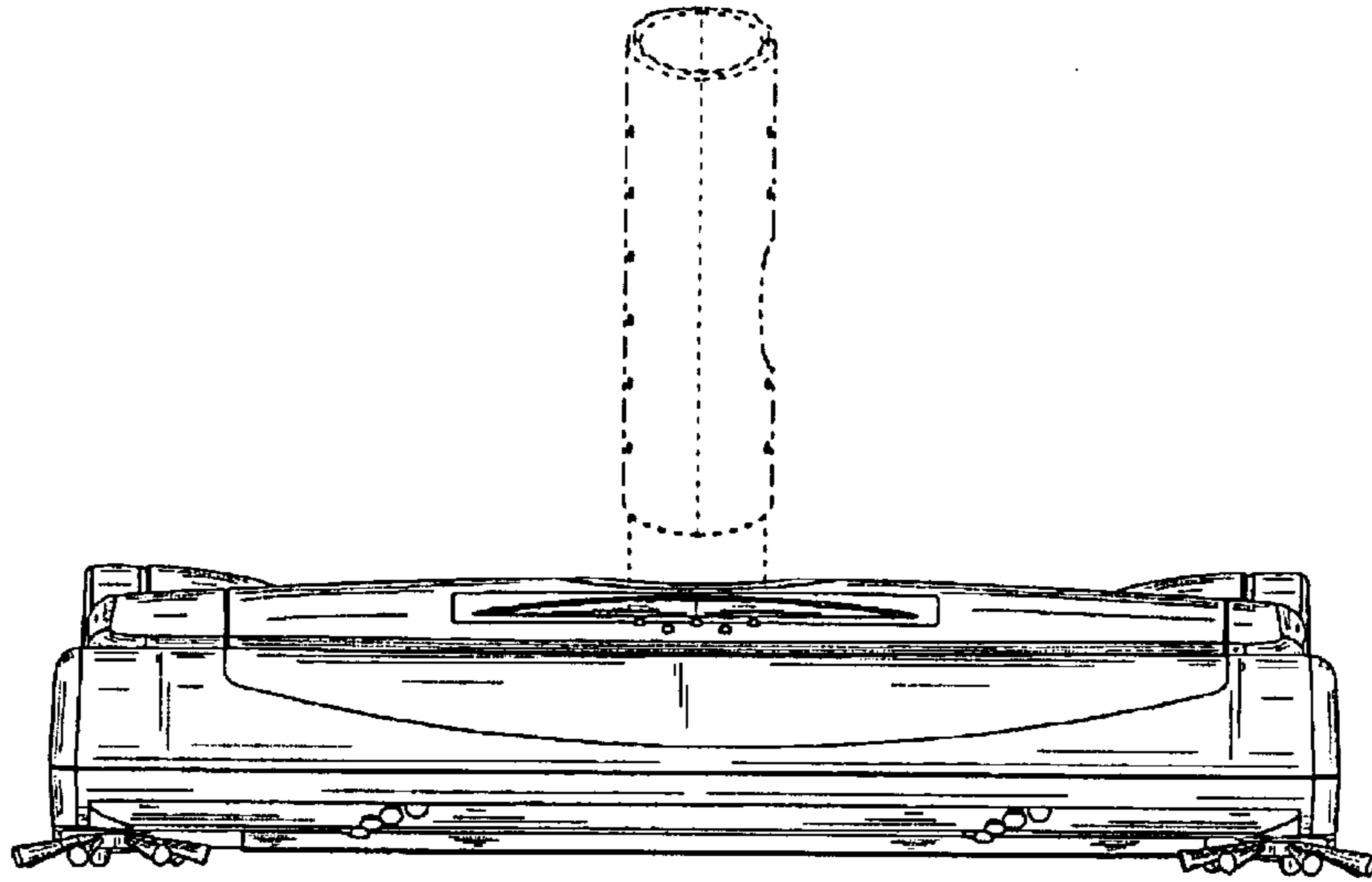


Fig. 2

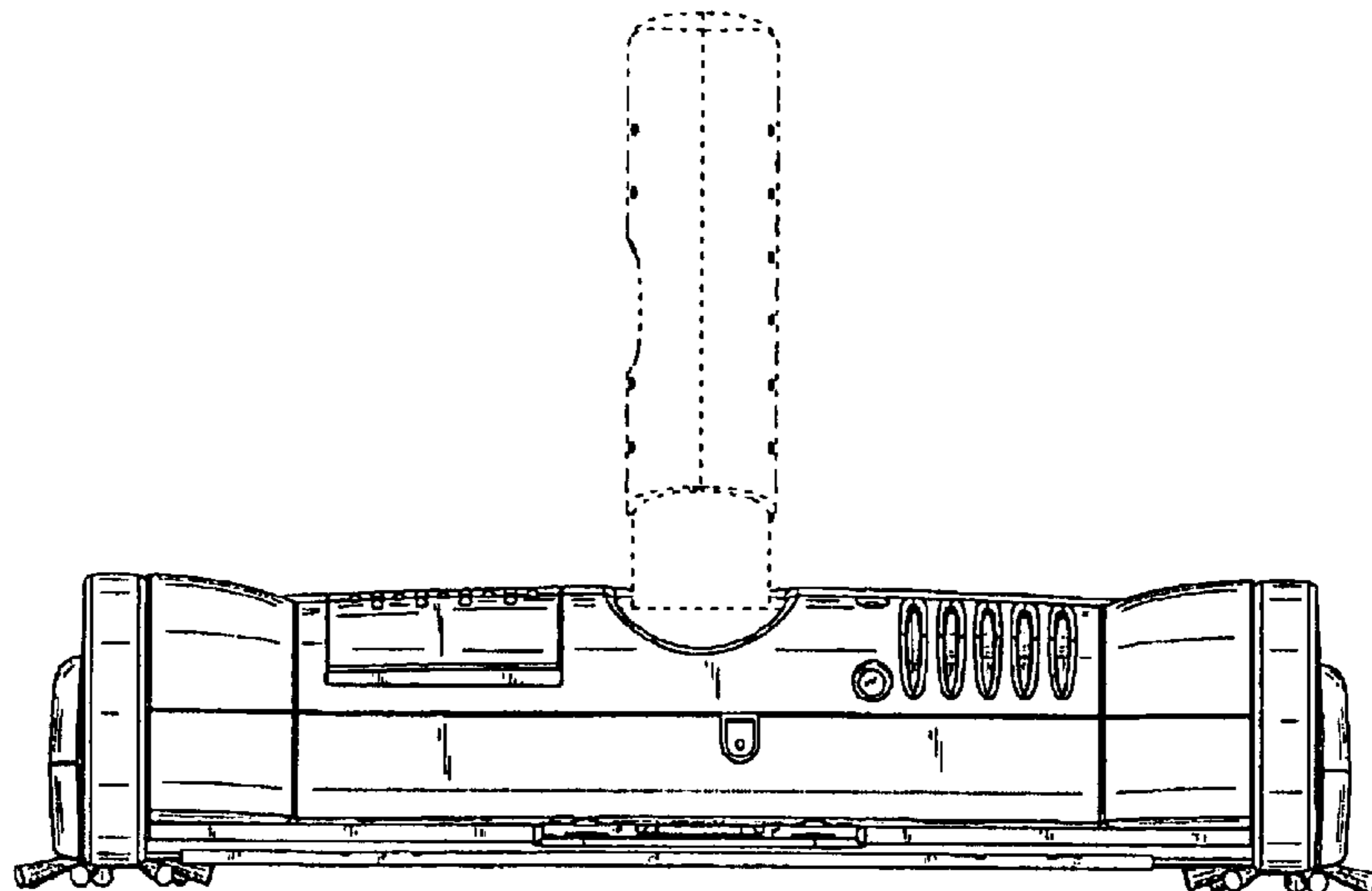


Fig. 3

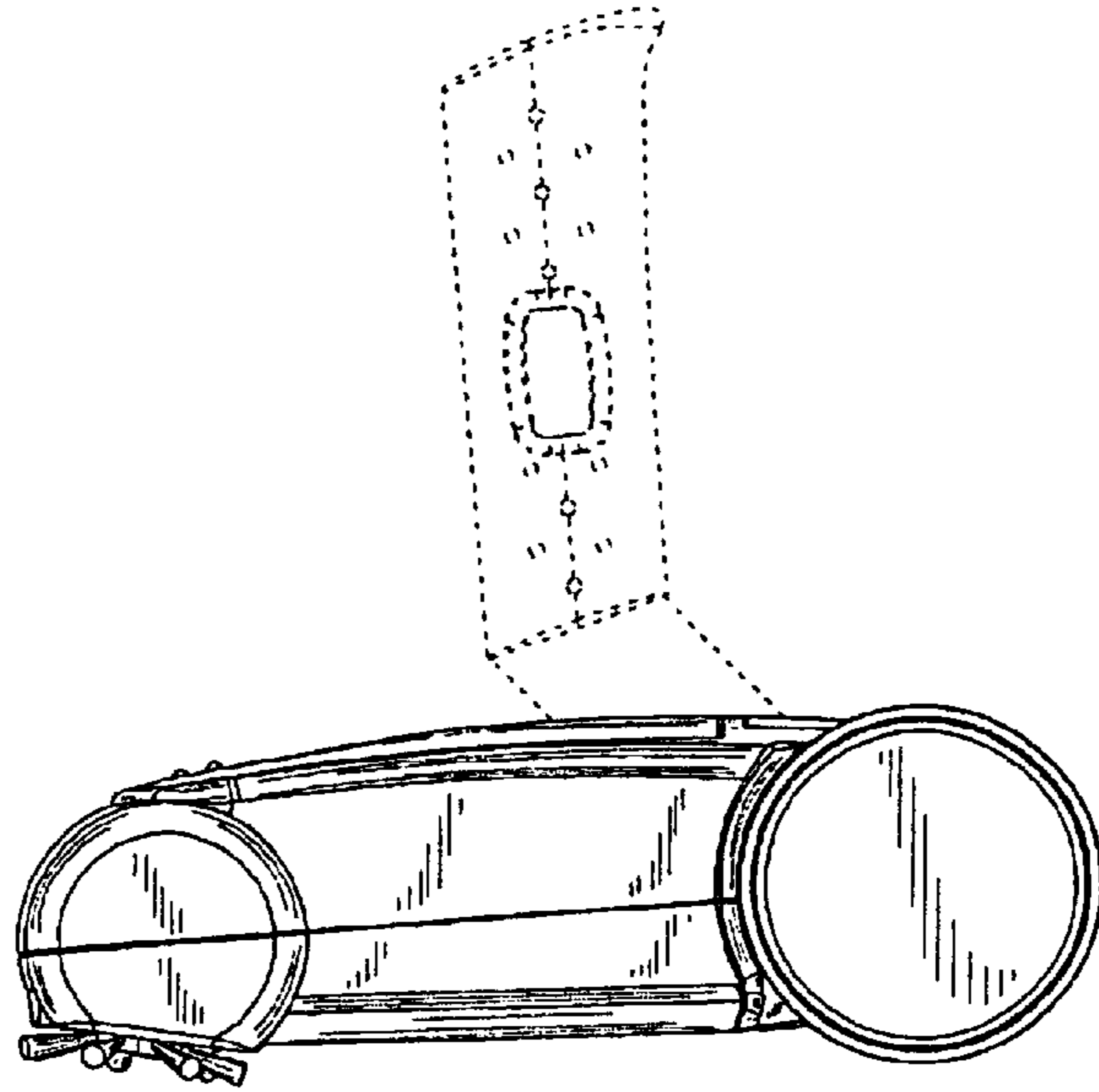


Fig. 4

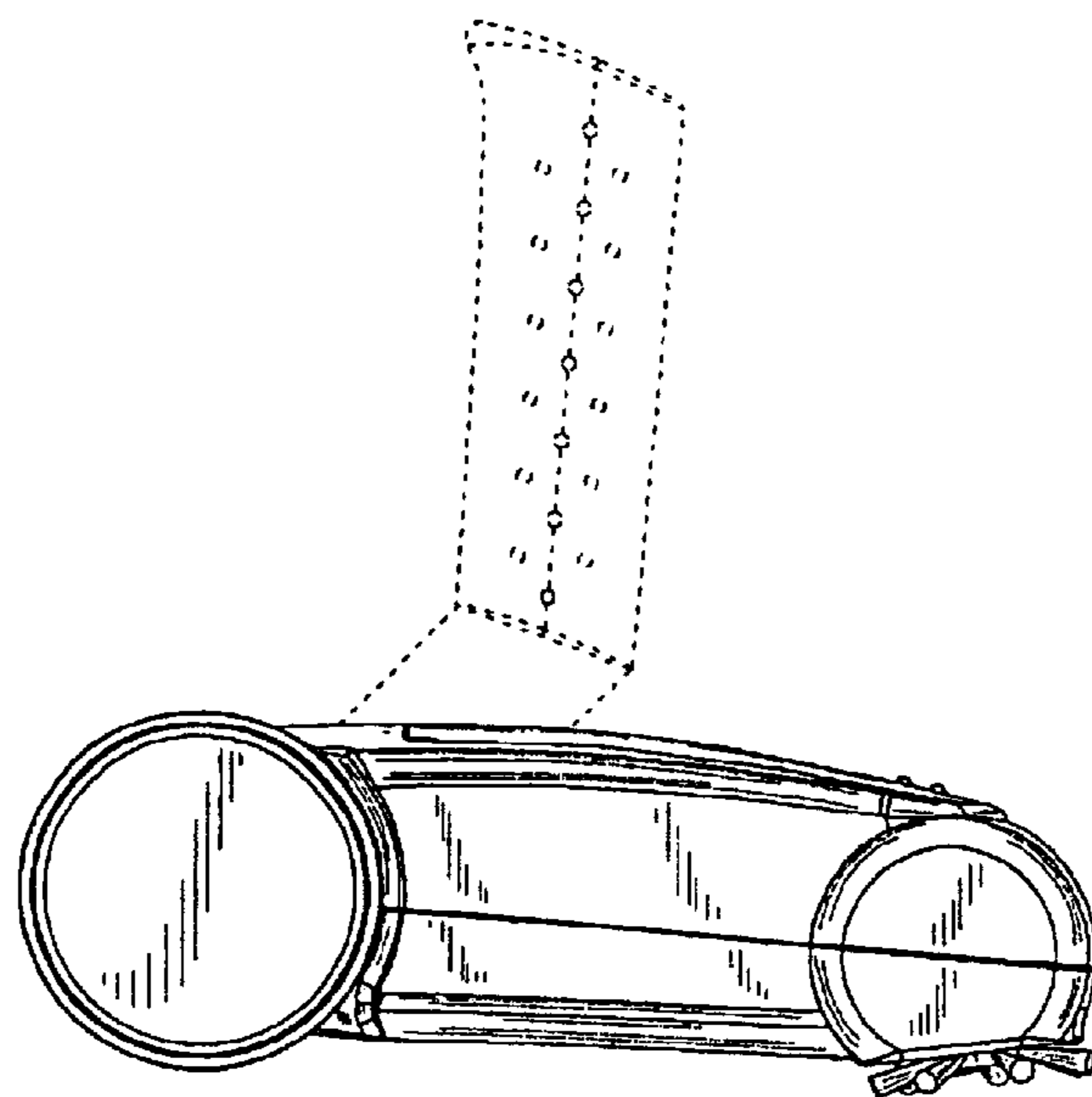


Fig. 5

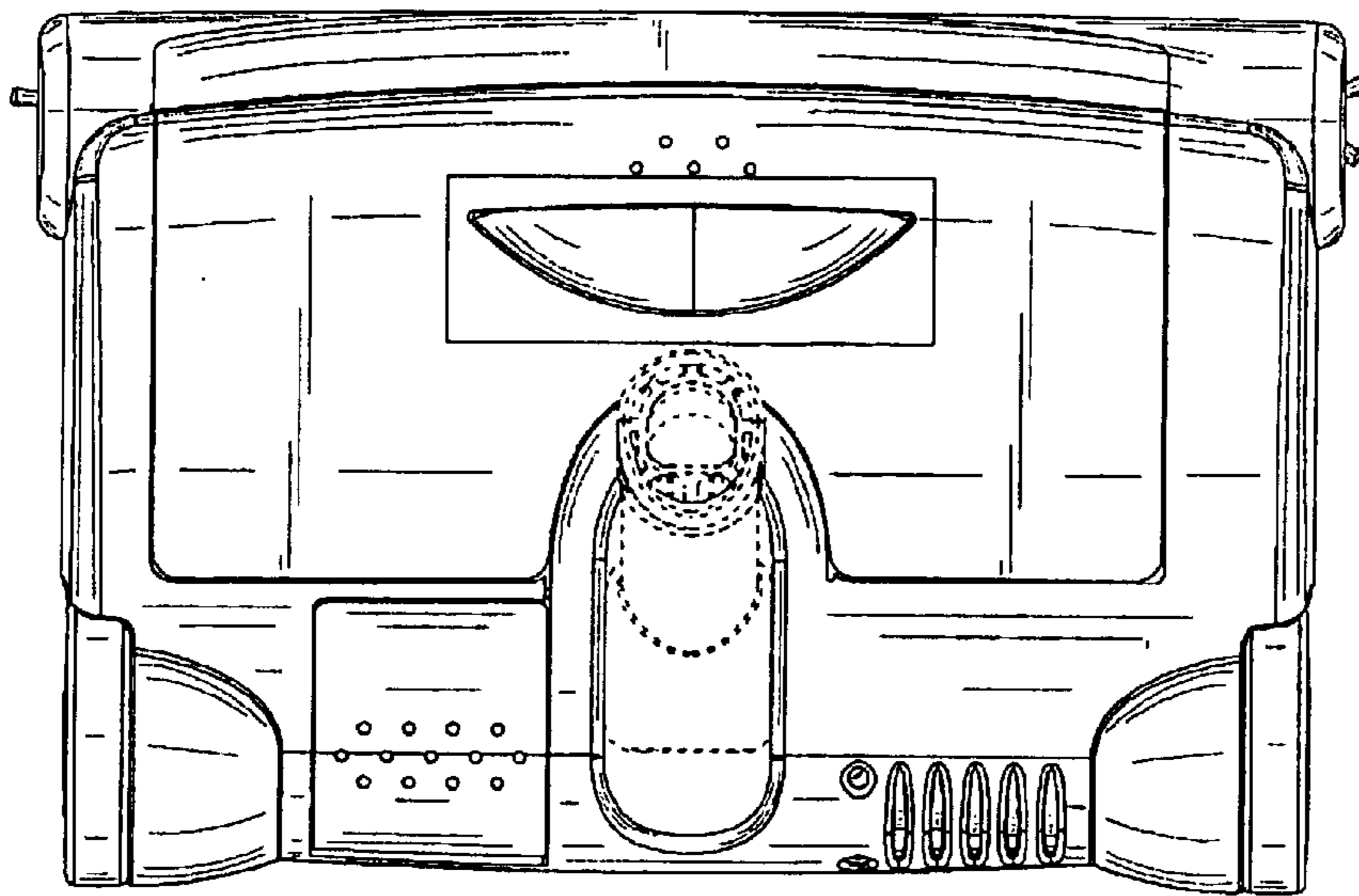


Fig. 6