

US00D501282S

(12) **United States Design Patent**
Robertson et al.

(10) **Patent No.: US D501,282 S**
(45) **Date of Patent: ** Jan. 25, 2005**

(54) **UTILITY PORTION OF CARPET SWEEPER**

(75) Inventors: **David Robertson**, Melrose Park (AU);
Gregory Clegg Spooner, Causeway
Bay (HK)

(73) Assignee: **Hayco Manufacturing Limited**,
Causeway Bay (HK)

(**) Term: **14 Years**

(21) Appl. No.: **29/191,906**

(22) Filed: **Oct. 14, 2003**

Related U.S. Application Data

(63) Continuation-in-part of application No. 29/159,349, filed on
Apr. 18, 2002, now abandoned, and a continuation-in-part of
application No. 29/169,025, filed on Oct. 11, 2002, now
abandoned.

(51) **LOC (7) Cl.** **15-05**

(52) **U.S. Cl.** **D32/38**

(58) **Field of Search** D32/21, 22, 31-33,
D32/38, 39; 15/41.1, 42-46, 48, 48.1, 79.1,
49.1, 50.3, 415.1; 16/DIG. 41

(56) **References Cited**

U.S. PATENT DOCUMENTS

2,316,709 A * 4/1943 Owen

D236,423 S * 8/1975 Mantelet D32/38
D256,878 S * 9/1980 Kubota et al. D32/38
D285,735 S * 9/1986 Hanyu D32/38
D293,142 S * 12/1987 Kubota D32/38
D312,154 S * 11/1990 Kuroda D32/38
D349,793 S * 8/1994 Zahuranec et al. D32/38
2003/0182752 A1 * 10/2003 Porath

* cited by examiner

Primary Examiner—Alan P. Douglas
Assistant Examiner—Lavone D. Tabor

(74) *Attorney, Agent, or Firm*—Smith-Hill and Bedell

(57) **CLAIM**

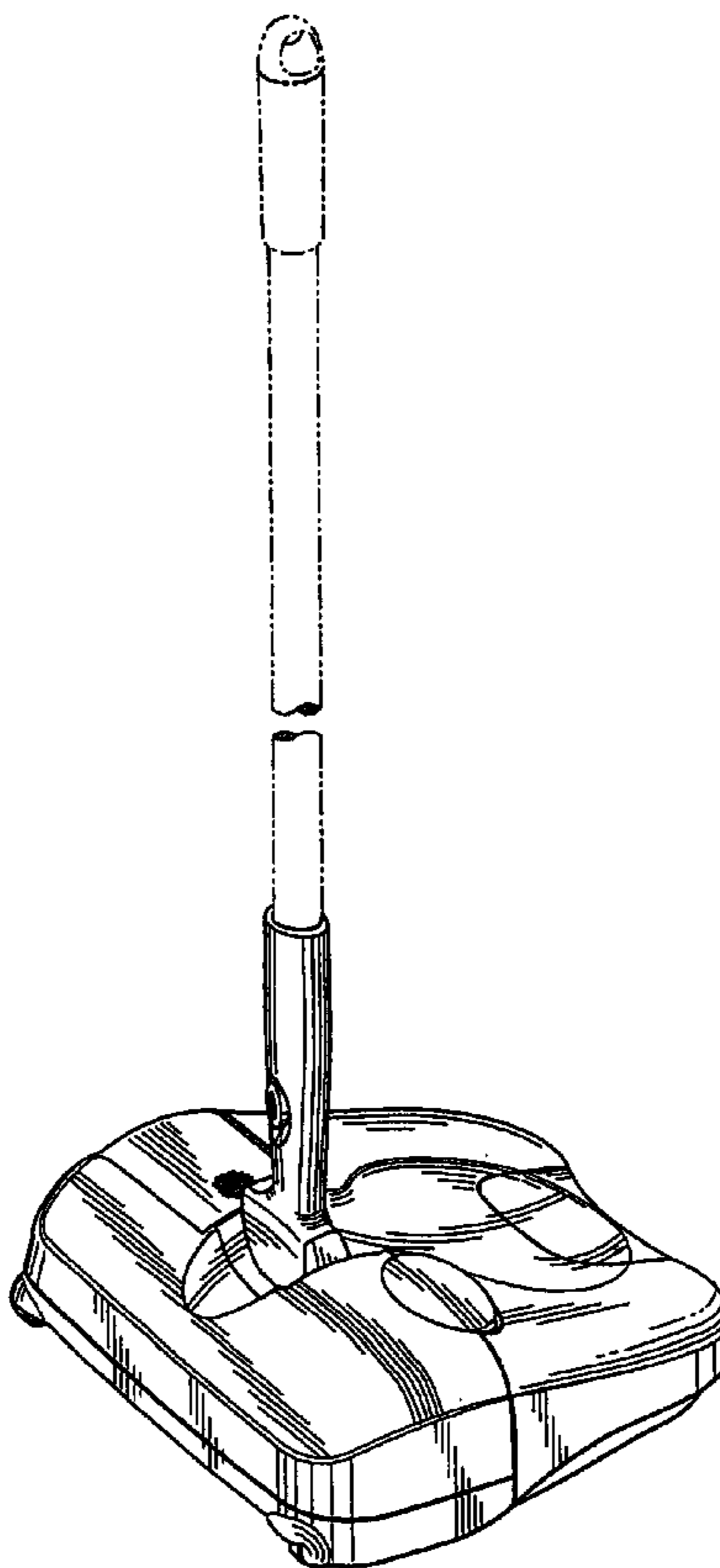
The ornamental design for “utility portion of carpet
sweeper,” as shown and described.

DESCRIPTION

FIG. 1 is a perspective view of “utility portion of carpet
sweeper” showing our new design;
FIG. 2 is a top view thereof;
FIG. 3 is a bottom view thereof;
FIG. 4 is a side view thereof;
FIG. 5 is another side view thereof;
FIG. 6 is a front view thereof; and,
FIG. 7 is a rear view thereof.

The broken line structure is for illustrative purposes only
and forms no part of the claimed design.

1 Claim, 7 Drawing Sheets



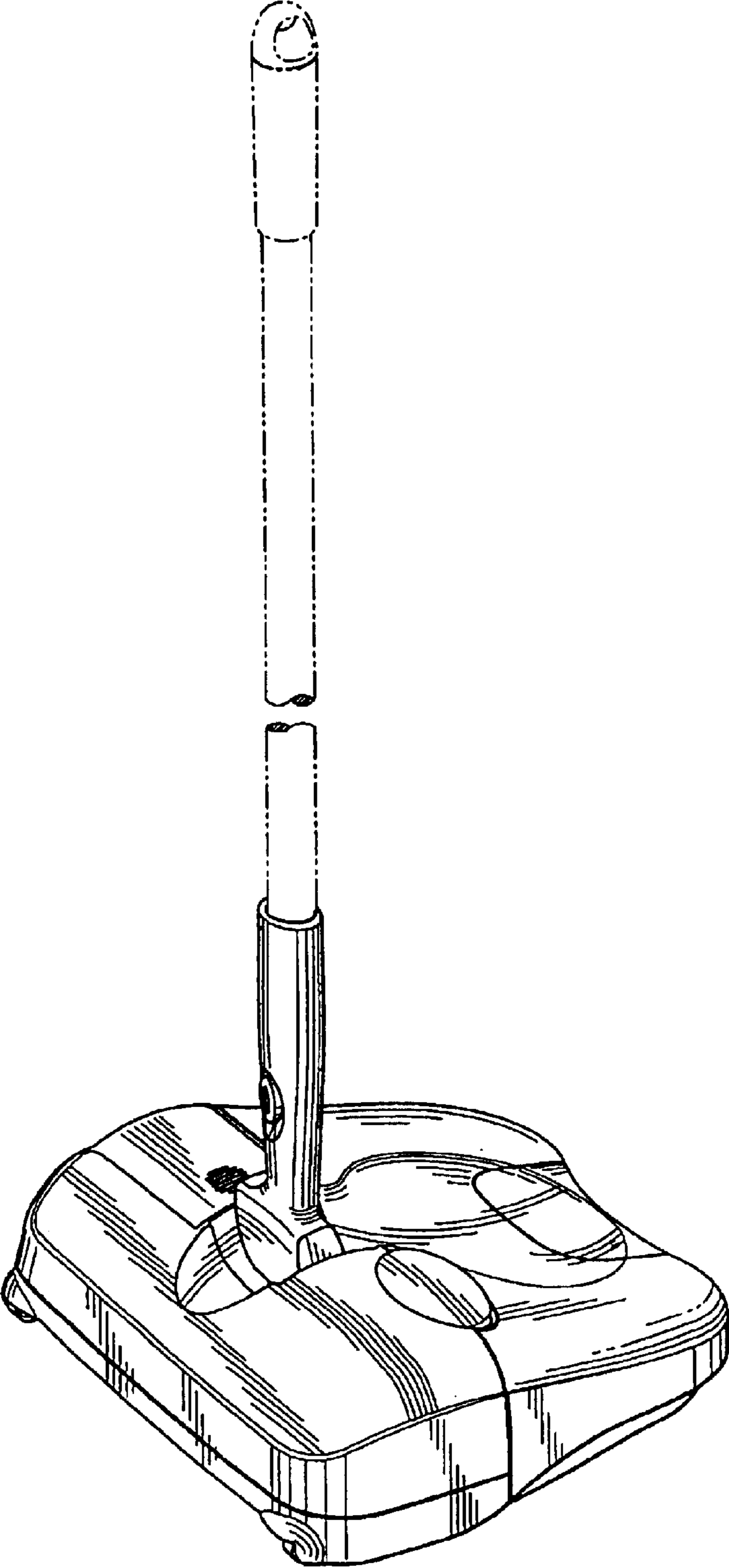


FIG. 1

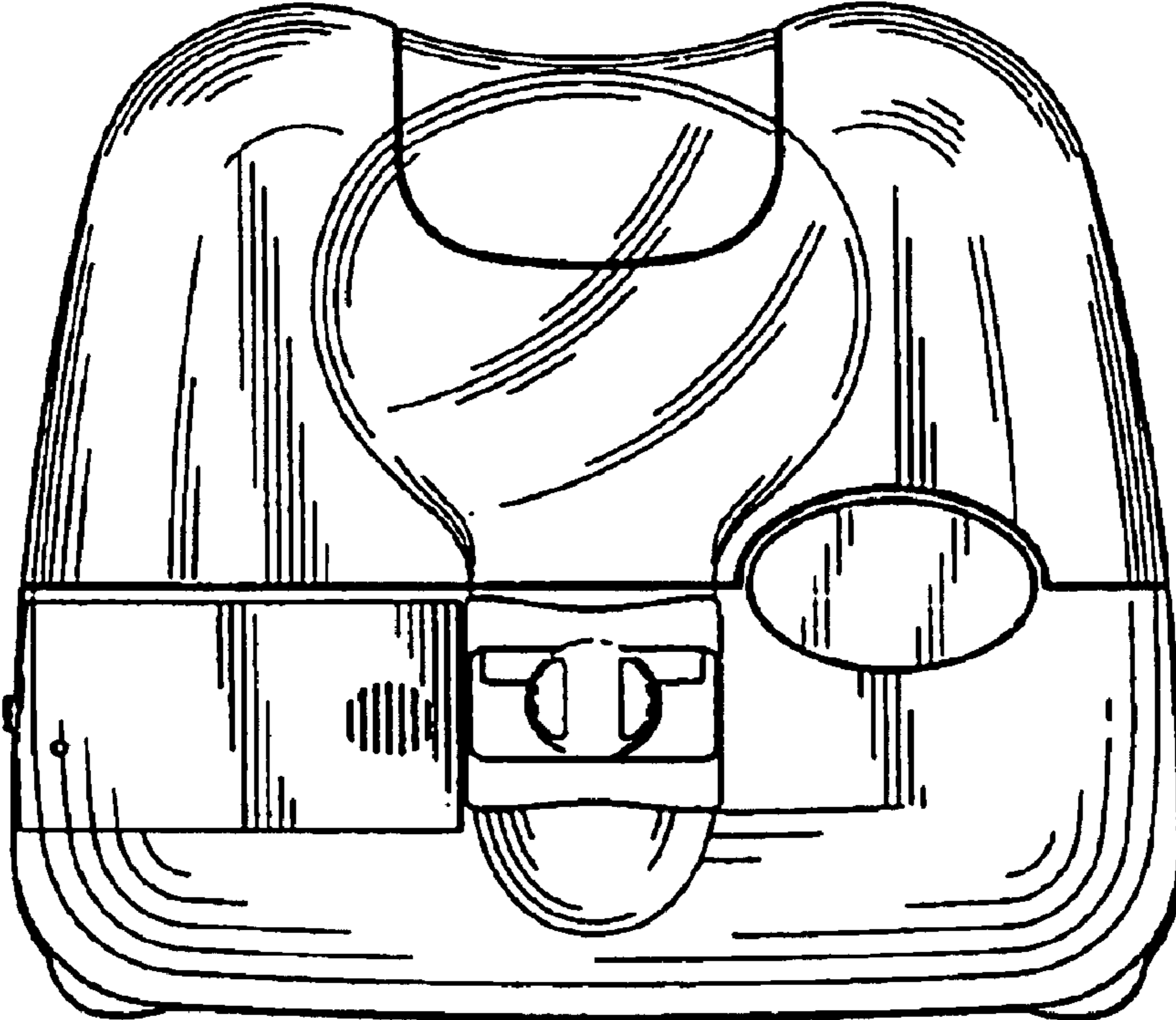


FIG. 2

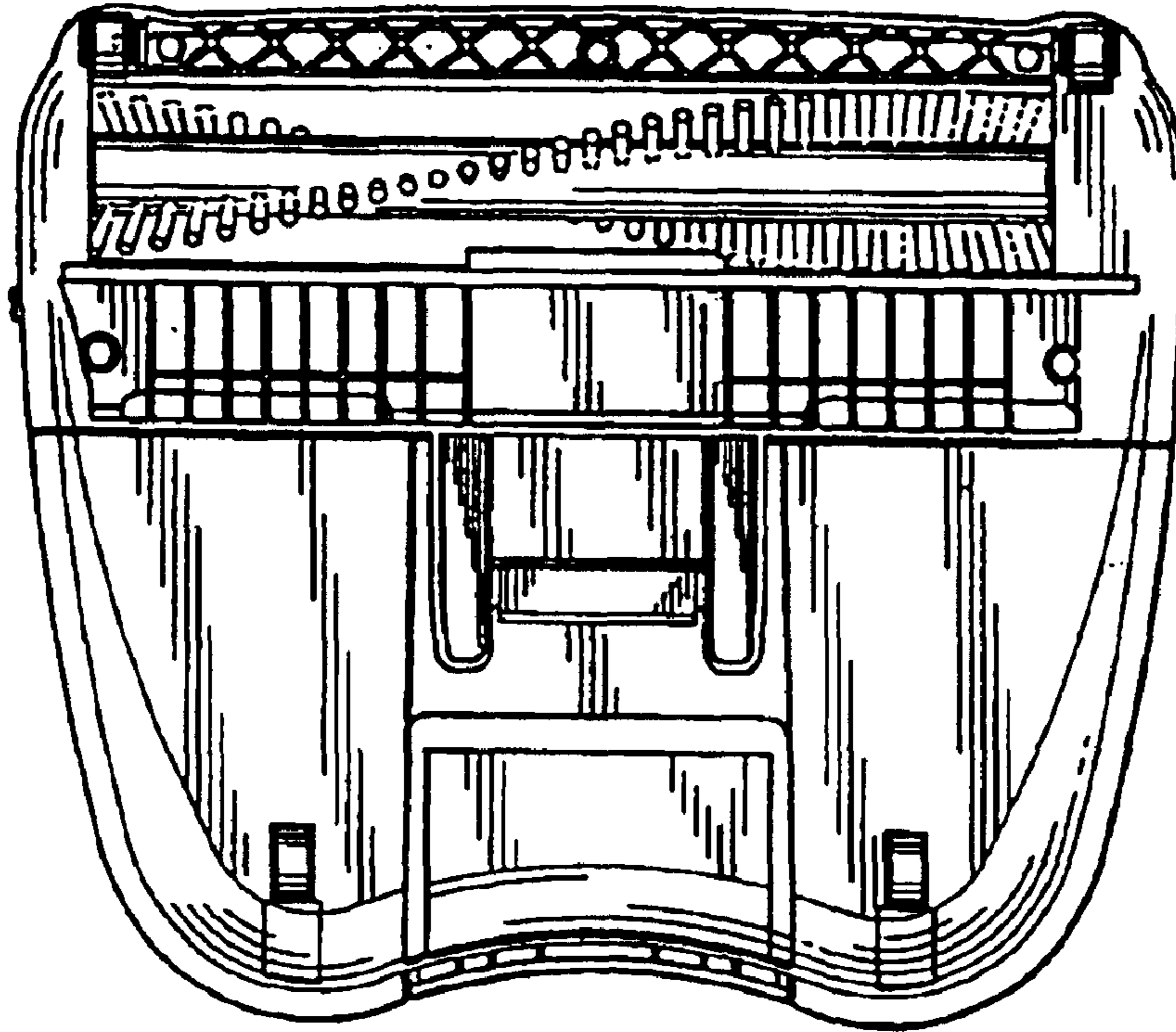


FIG. 3

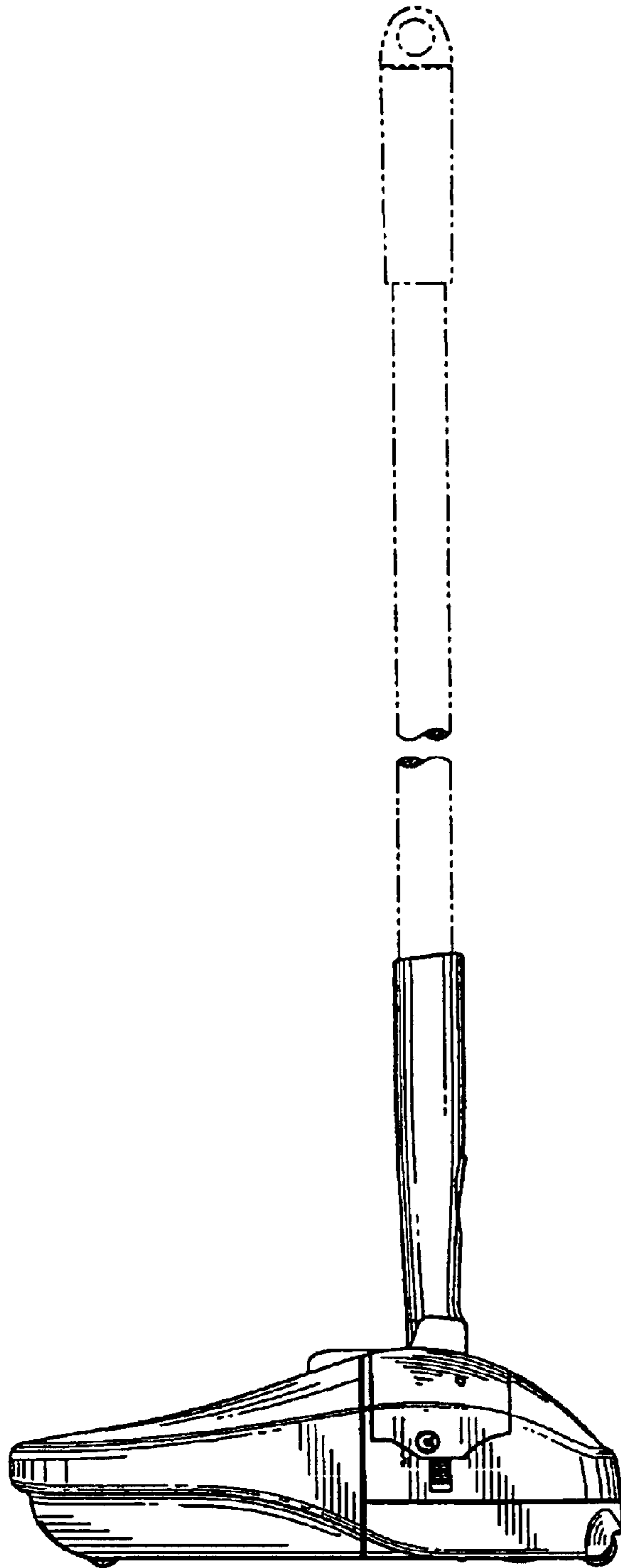


FIG. 4

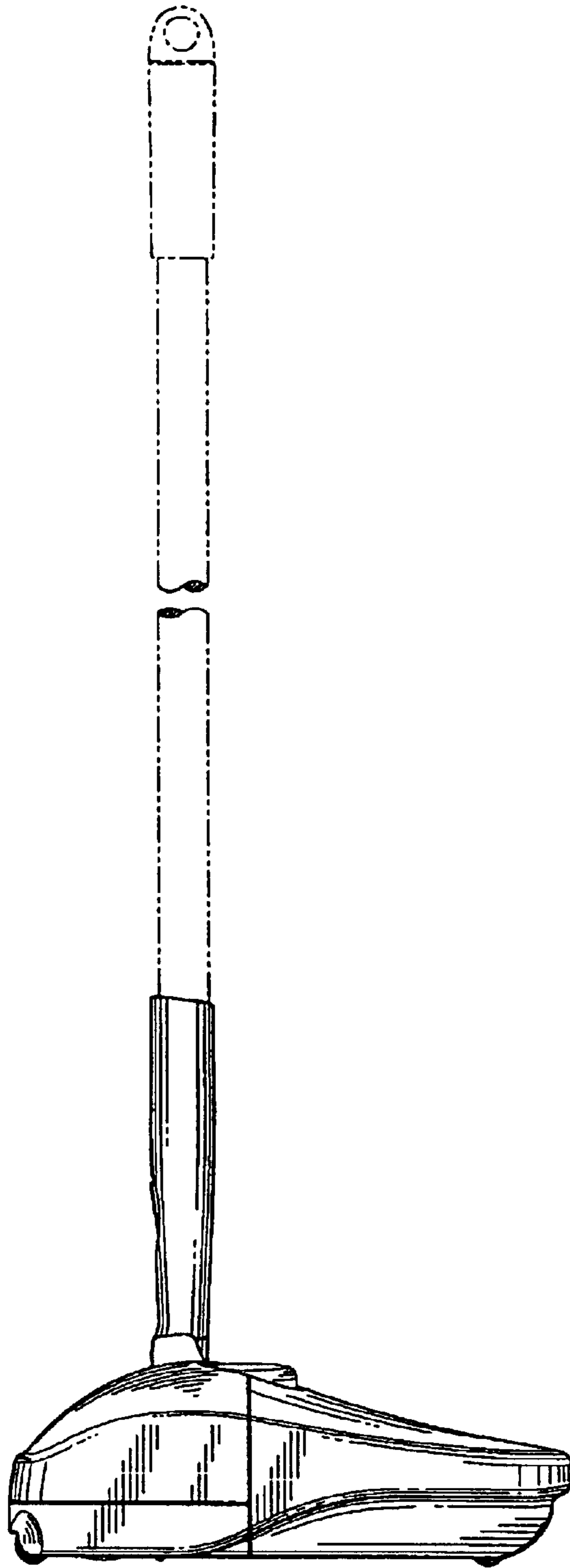


FIG. 5

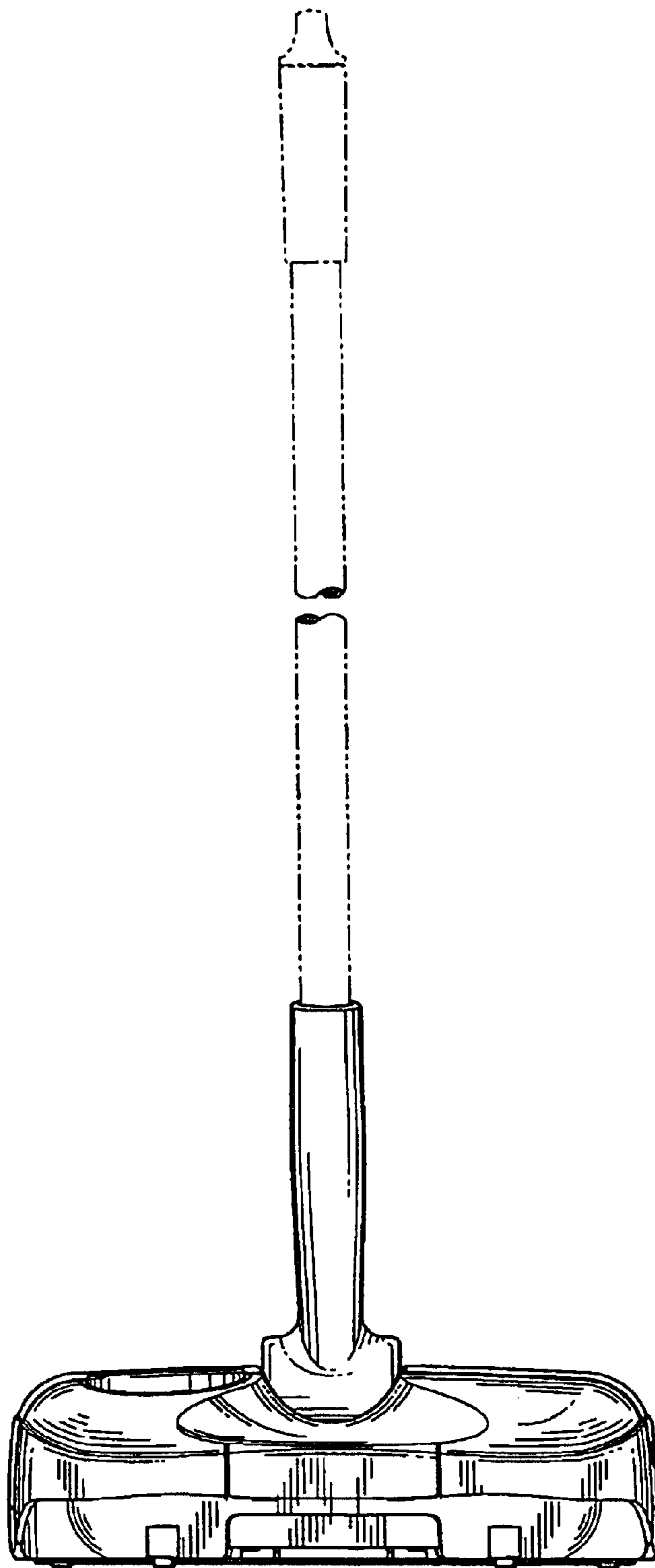


FIG. 6

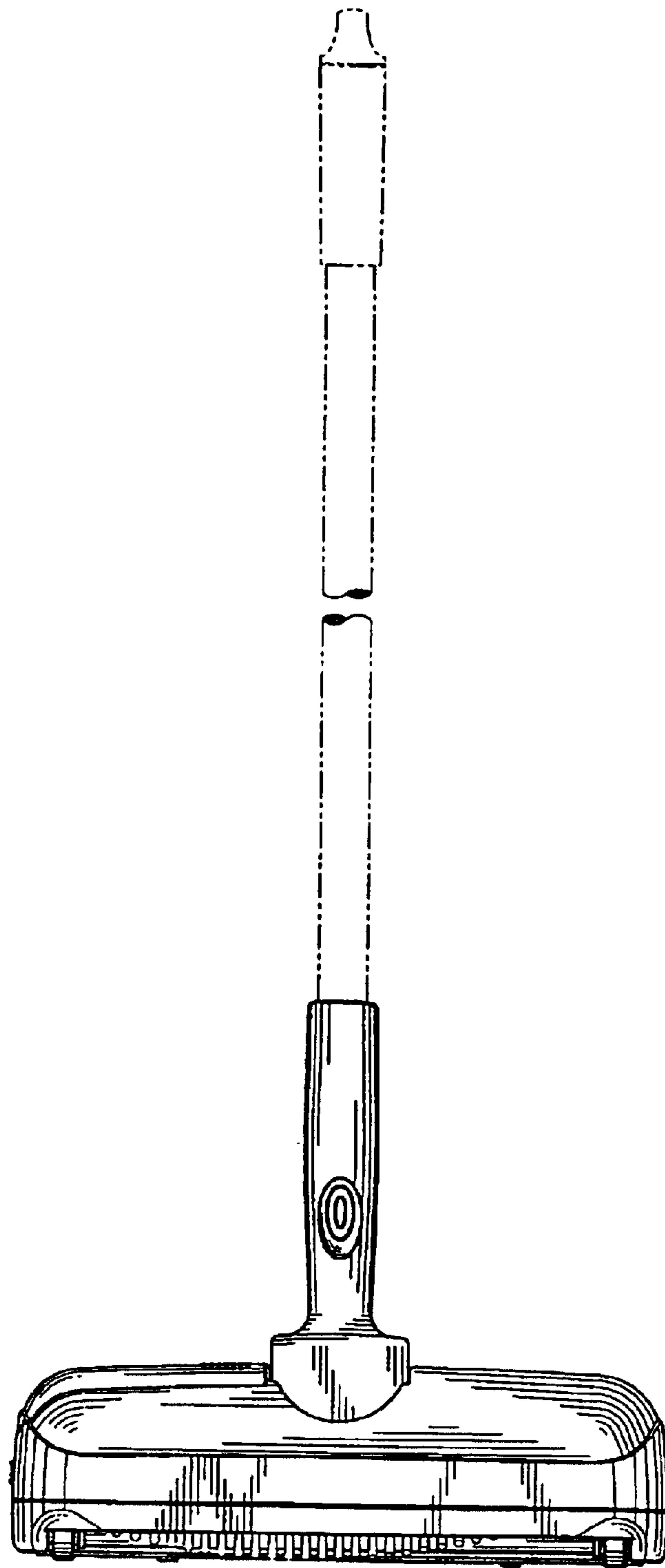


FIG. 7