



US00D501276S

(12) **United States Design Patent** (10) **Patent No.:** **US D501,276 S**
LaFauci et al. (45) **Date of Patent:** **** Jan. 25, 2005**

(54) **JAW CLIP HANDLE**

(75) Inventors: **Mary G. LaFauci**, Philadelphia, PA (US); **Catherine J. Maddaloni**, Pottstown, PA (US)

(73) Assignee: **Scünci International, Inc.**, Hatboro, PA (US)

(**) Term: **14 Years**

(21) Appl. No.: **29/200,378**

(22) Filed: **Feb. 26, 2004**

(51) **LOC (7) Cl.** **28-03**

(52) **U.S. Cl.** **D28/40**

(58) **Field of Search** D28/39-43; D8/395; 132/273-284

(56) **References Cited**

U.S. PATENT DOCUMENTS

5,549,127	A	*	8/1996	Chang	132/277
D381,119	S	*	7/1997	Chang	D28/40
5,873,377	A	*	2/1999	Yang	132/277
D430,359	S	*	8/2000	Sartena	D28/92
D432,718	S	*	10/2000	Sartena	D28/40
D432,736	S	*	10/2000	Sartena	D28/92
6,408,859	B1	*	6/2002	Shyu	132/276
D488,587	S	*	4/2004	Puorro	D28/40

OTHER PUBLICATIONS

Hong Kong Enterprise, Oct., 1997, p. 1143, hair clips.*

Hong Kong Enterprise, Jan., 1998, p. 86, hair clips.*

* cited by examiner

Primary Examiner—Lucy Lieberman

(74) *Attorney, Agent, or Firm*—Drinker Biddle & Reath LLP

(57) **CLAIM**

The ornamental design for a jaw clip handle, as shown and described.

DESCRIPTION

FIG. 1 is a perspective view of a jaw clip handle showing our new design.

FIG. 2 is a front elevation view thereof, the rear elevation view being identical.

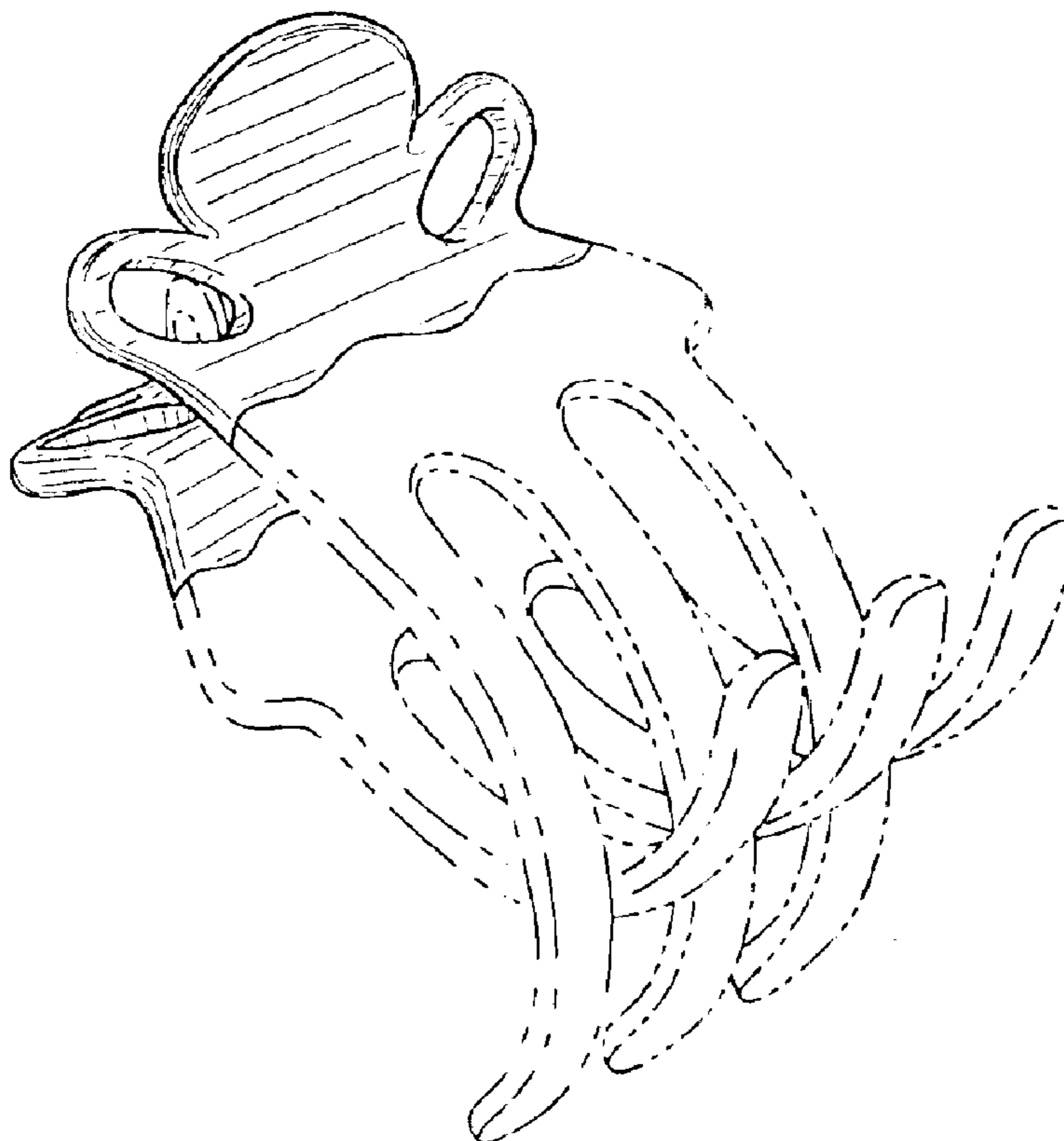
FIG. 3 is a right side elevation view of the jaw clip handle shown in FIG. 1, the left side elevation view being identical.

FIG. 4 is a top end view of the jaw clip handle shown in FIG. 1; and,

FIG. 5 is a bottom end view thereof.

The portions of the drawings appearing in broken line are for environment only and do not form a part of the design.

1 Claim, 3 Drawing Sheets



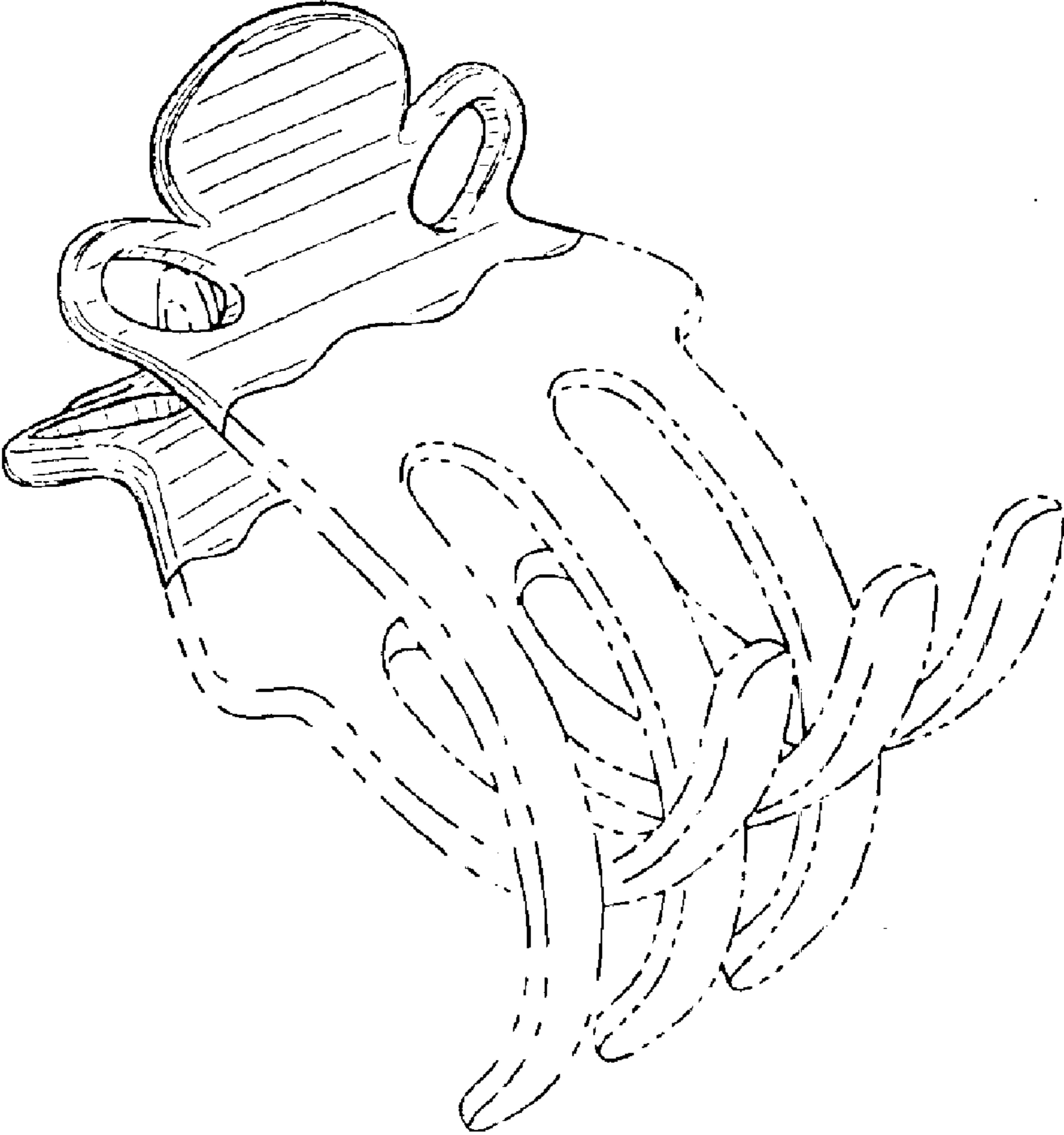


FIG. 1

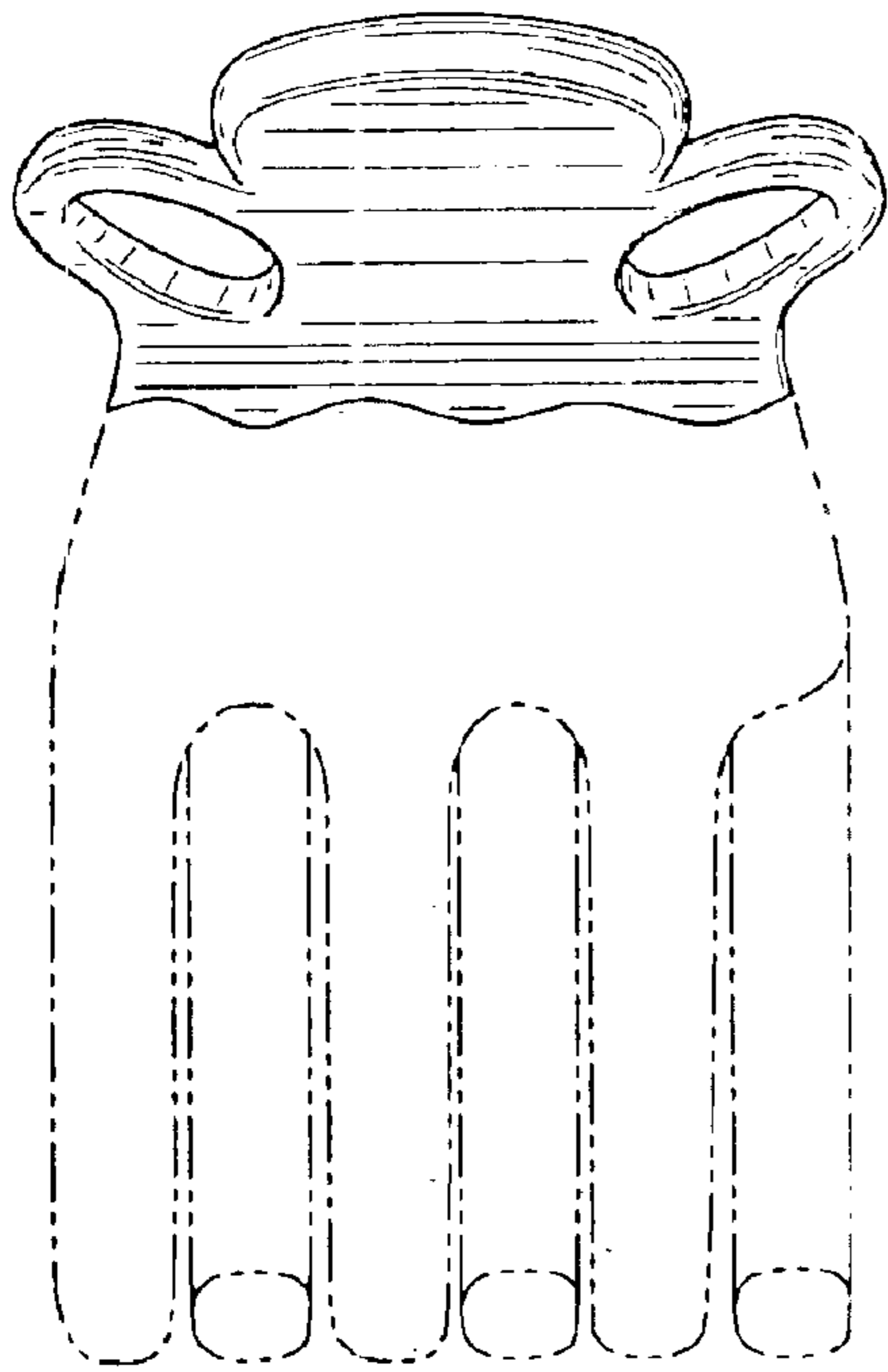


FIG. 2

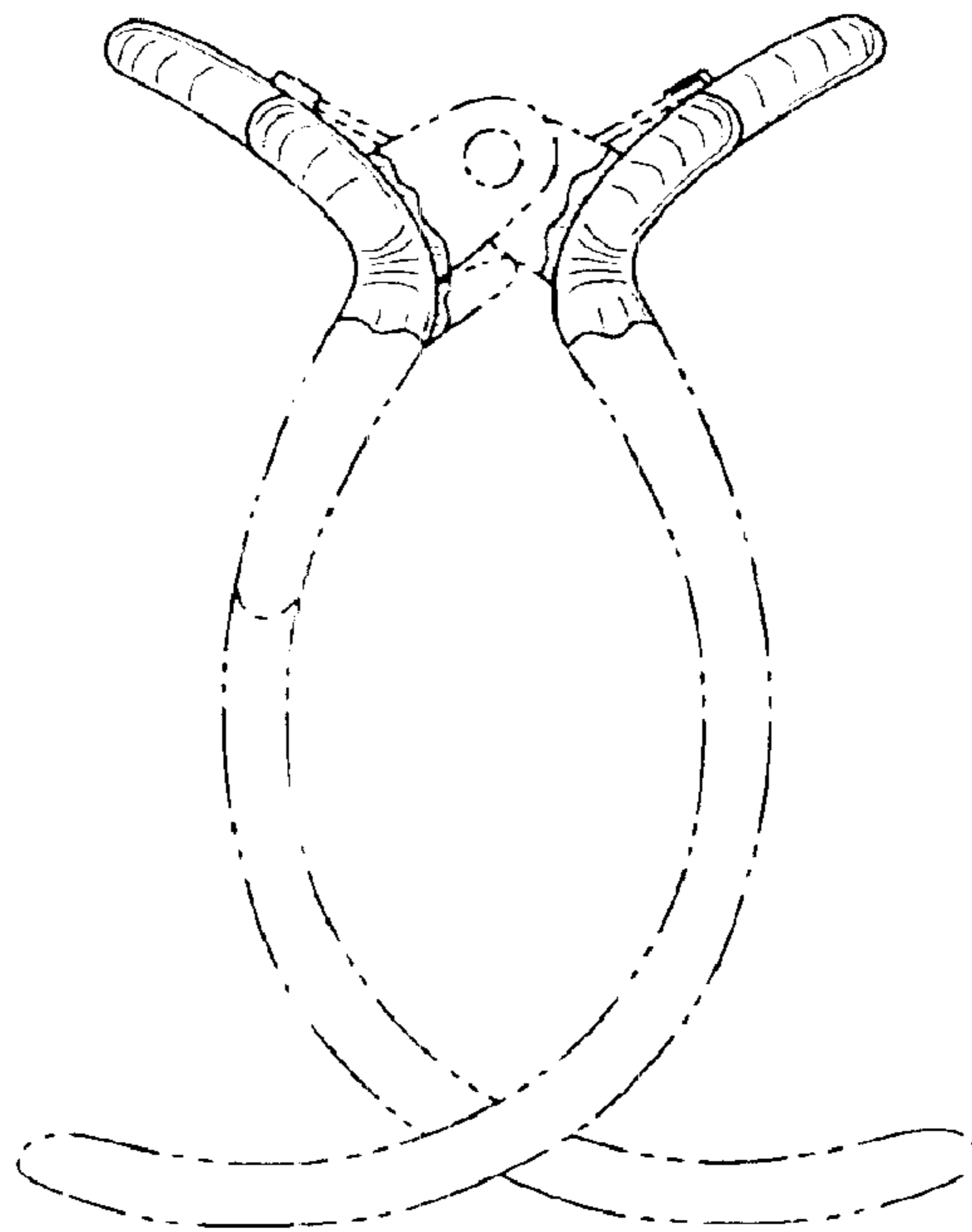


FIG. 3

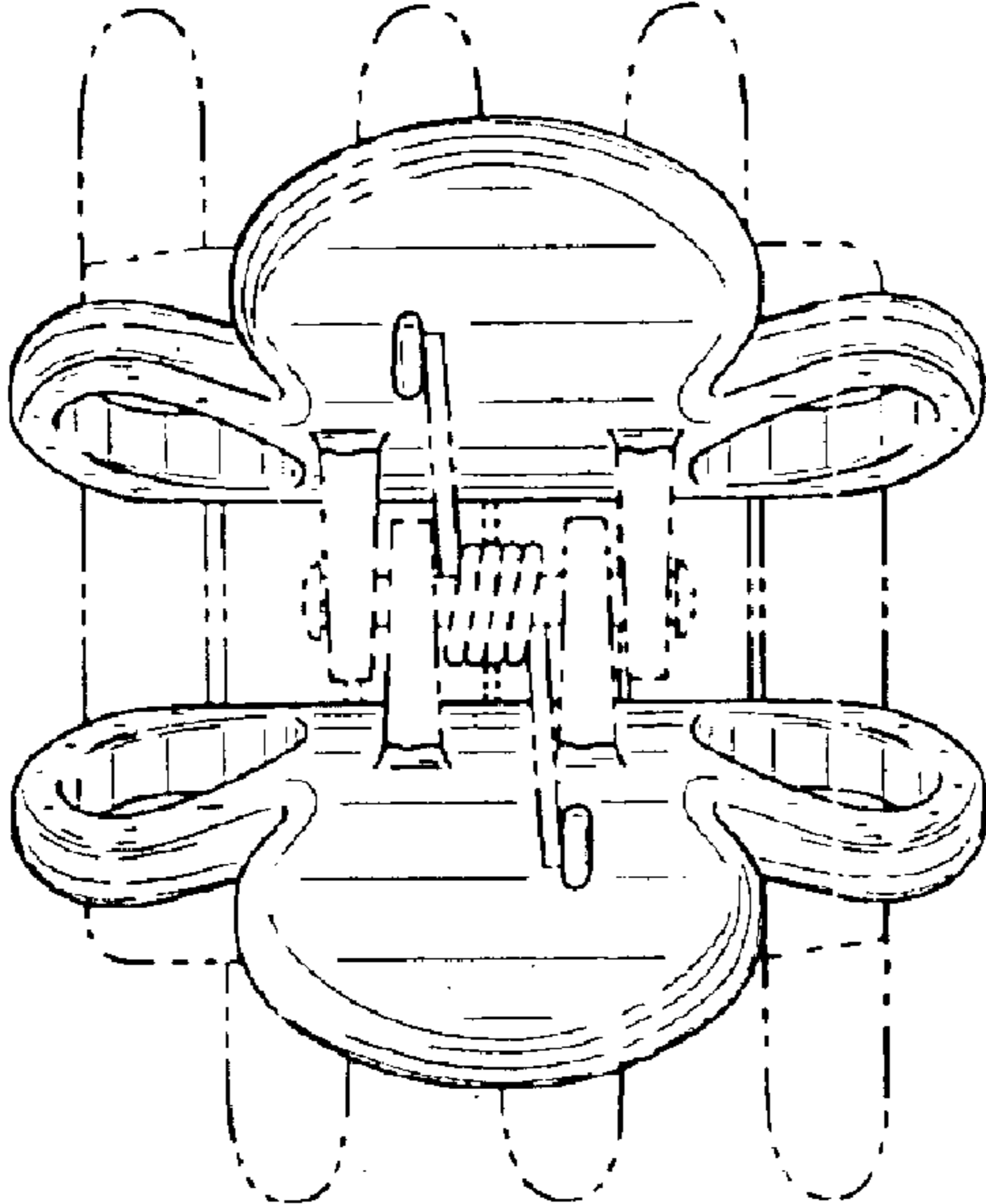


FIG. 4

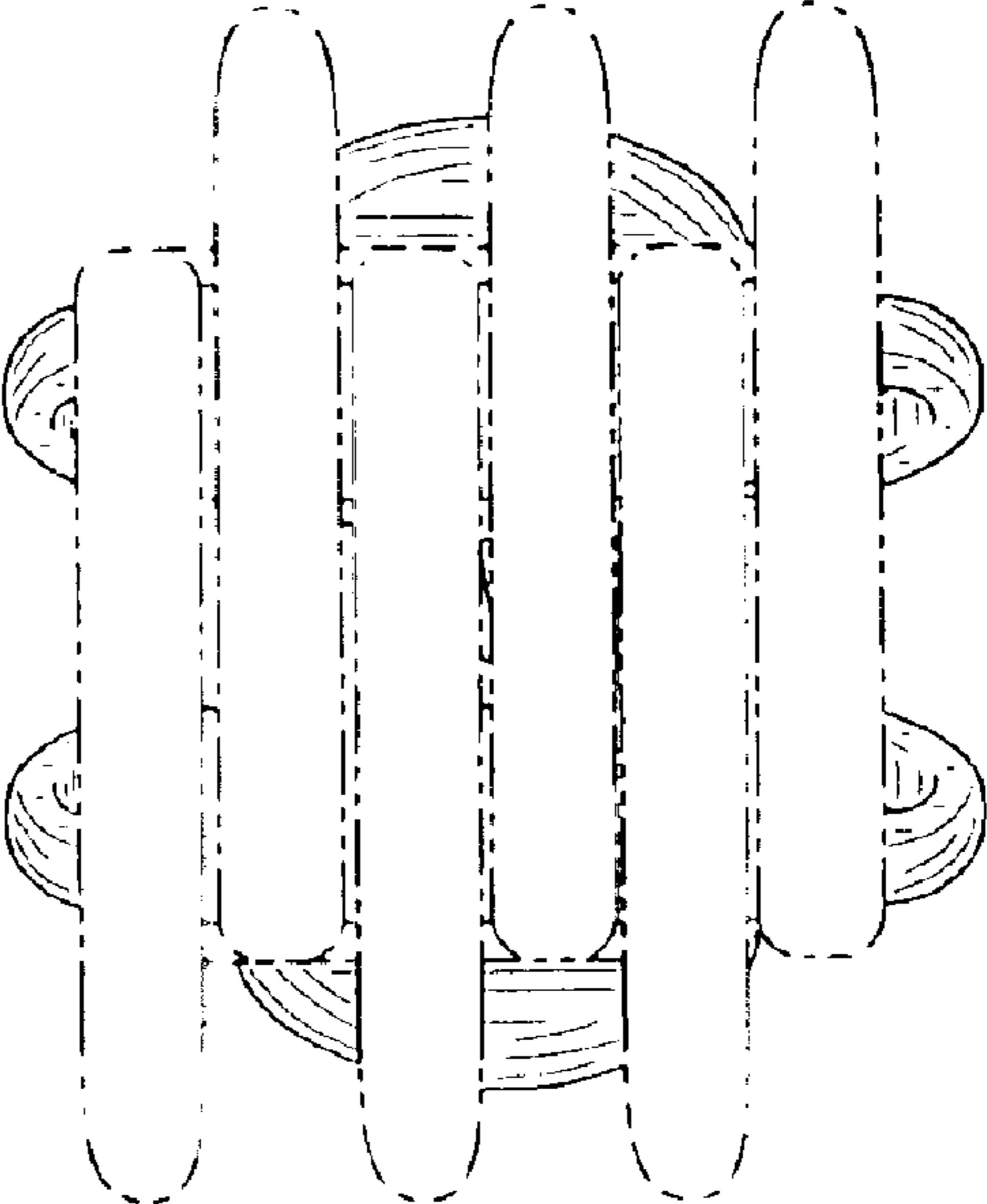


FIG. 5