



US00D501272S

(12) **United States Design Patent**
Opolka

(10) **Patent No.:** **US D501,272 S**
(45) **Date of Patent:** **** Jan. 25, 2005**

(54) **LAMP**
(75) **Inventor:** **Rainer Opolka, Solingen (DE)**
(73) **Assignee:** **Zweibruder Optoelectronics GmbH, Solingen (DE)**

2,339,385 A * 1/1944 Dupler 362/809
3,346,731 A * 10/1967 Poncy 362/809
5,324,224 A * 6/1994 Anderson et al. 362/809
6,015,221 A * 1/2000 Bodell 362/410
6,196,693 B1 * 3/2001 Glynn 362/809

(**) **Term:** **14 Years**

* cited by examiner

(21) **Appl. No.:** **29/174,674**

Primary Examiner—Jennifer Rivard

(22) **Filed:** **Jan. 22, 2003**

(74) *Attorney, Agent, or Firm*—Herbert Dubno

(30) **Foreign Application Priority Data**

Aug. 1, 2002 (DE) 402 06 515

(51) **LOC (7) Cl.** **26-99**

(52) **U.S. Cl.** **D26/138**

(58) **Field of Search** D26/138, 142,
D26/149, 94, 51; 362/414, 410, 809

(57) **CLAIM**

The ornamental design for a lamp, as shown and described.

DESCRIPTION

FIG. 1 is a front, top, right-side perspective view of a lamp showing my new design, the bottom being plain, unornamented and not visible in use;

FIG. 2 is a rear, top, left-side perspective view thereof;

FIG. 3 is a front, top, right-side perspective view thereof with circular rib surrounding the central LED orifice and serving as a base for an illuminated object; and,

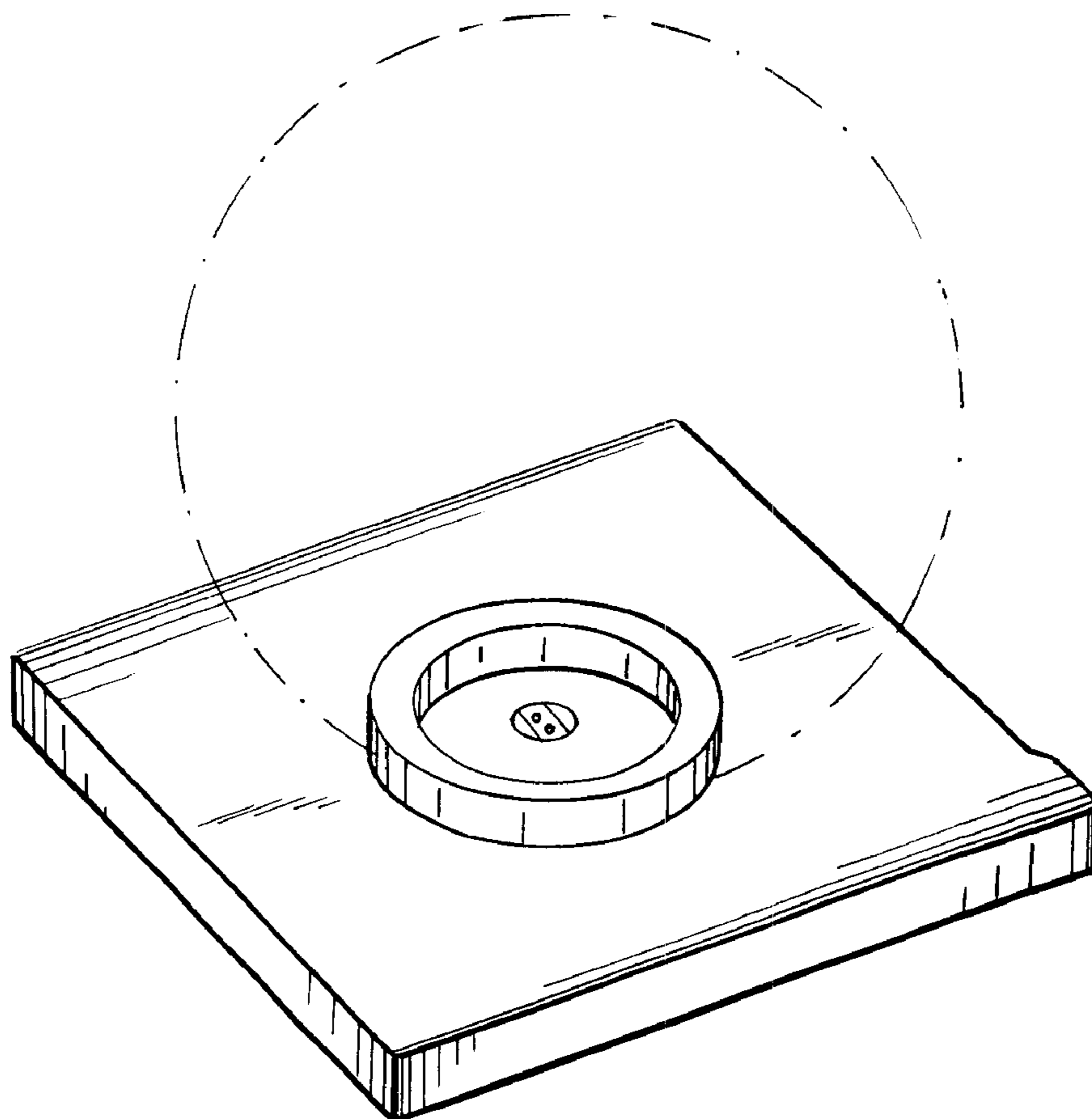
FIG. 4 is a front, top, right-side perspective view thereof with circular rib with the object is shown in a dot-dash line.

(56) **References Cited**

U.S. PATENT DOCUMENTS

2,171,509 A * 8/1939 Peterson D26/94
2,279,162 A * 4/1942 Dupler 362/809

1 Claim, 4 Drawing Sheets



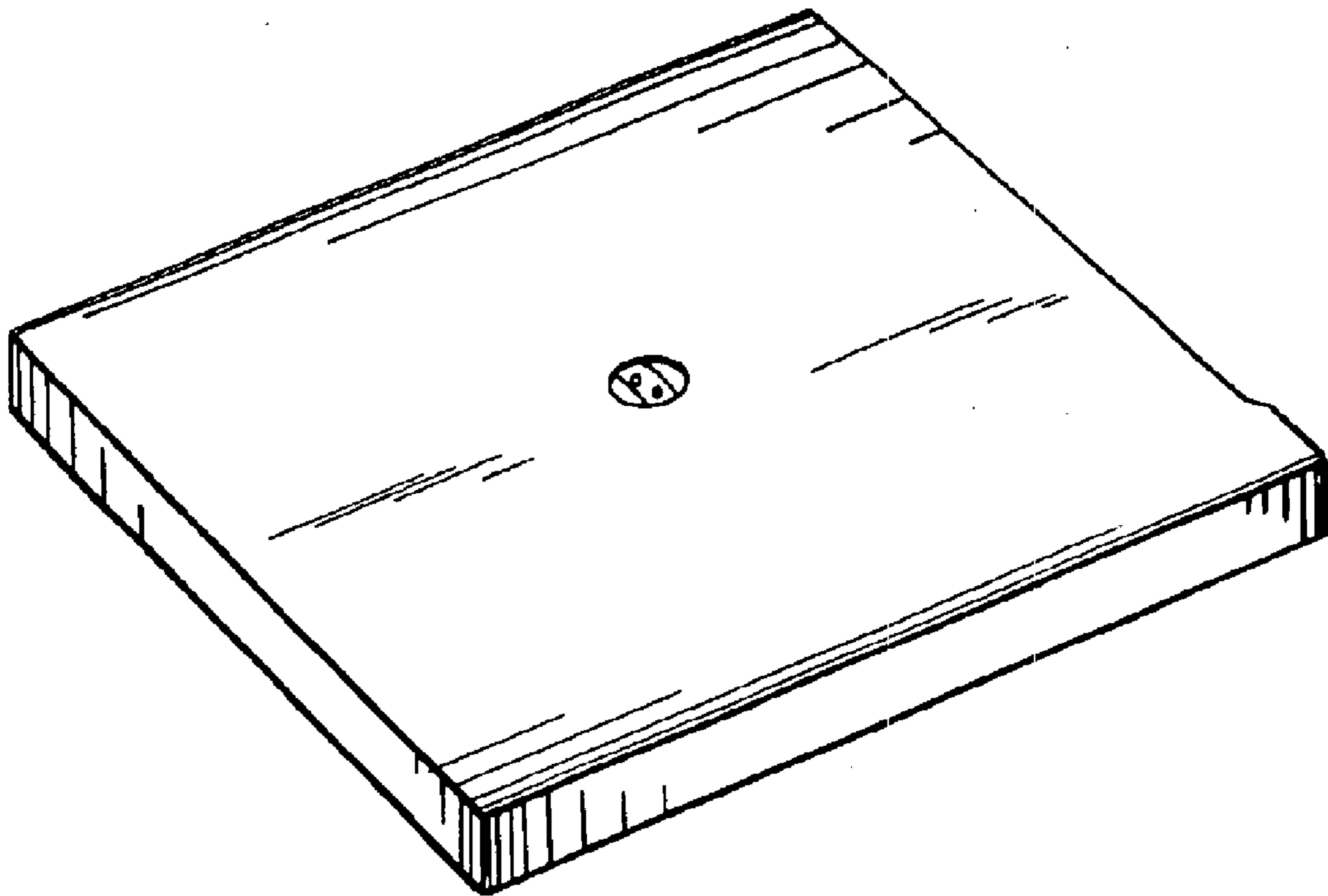


FIG.1

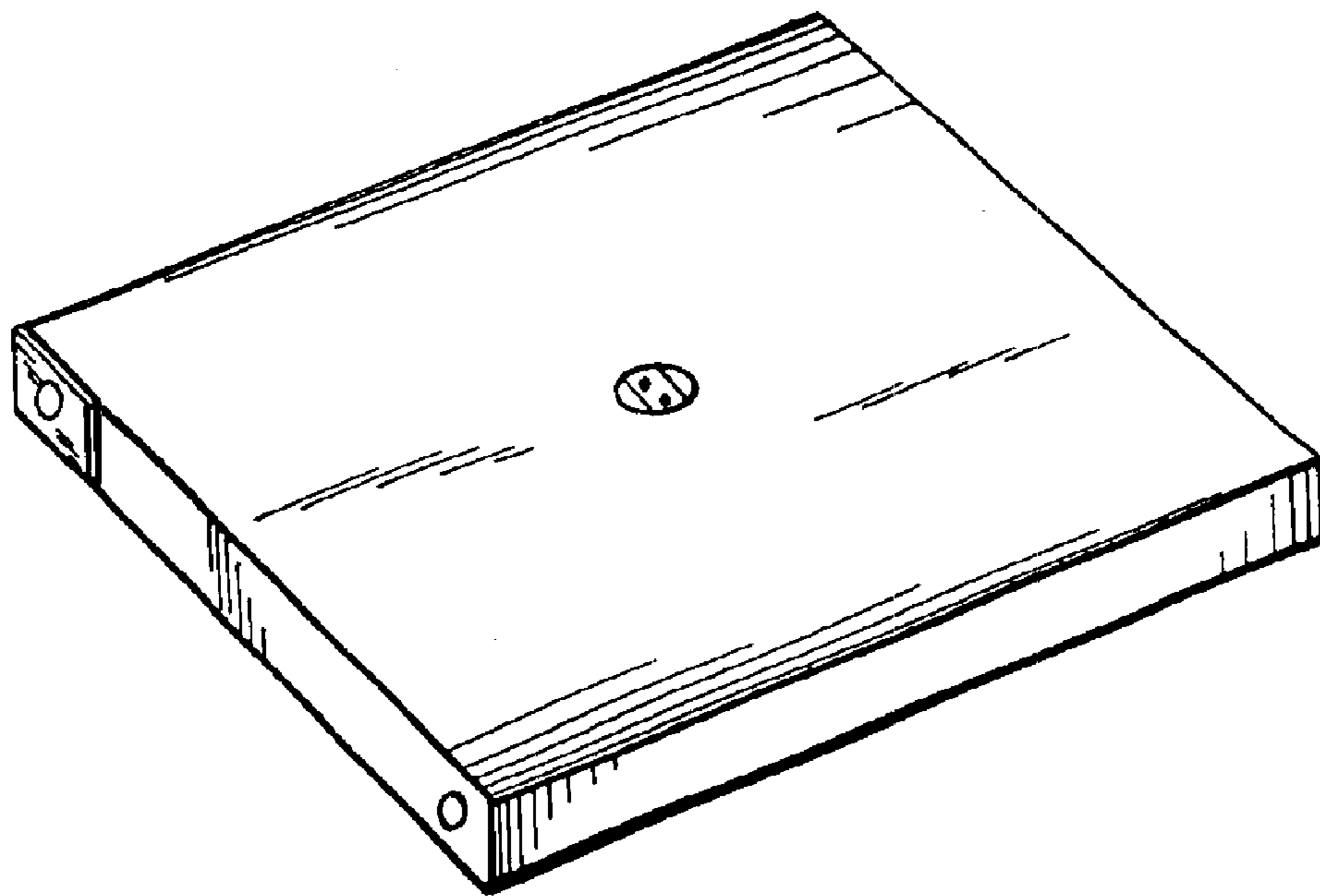


FIG. 2

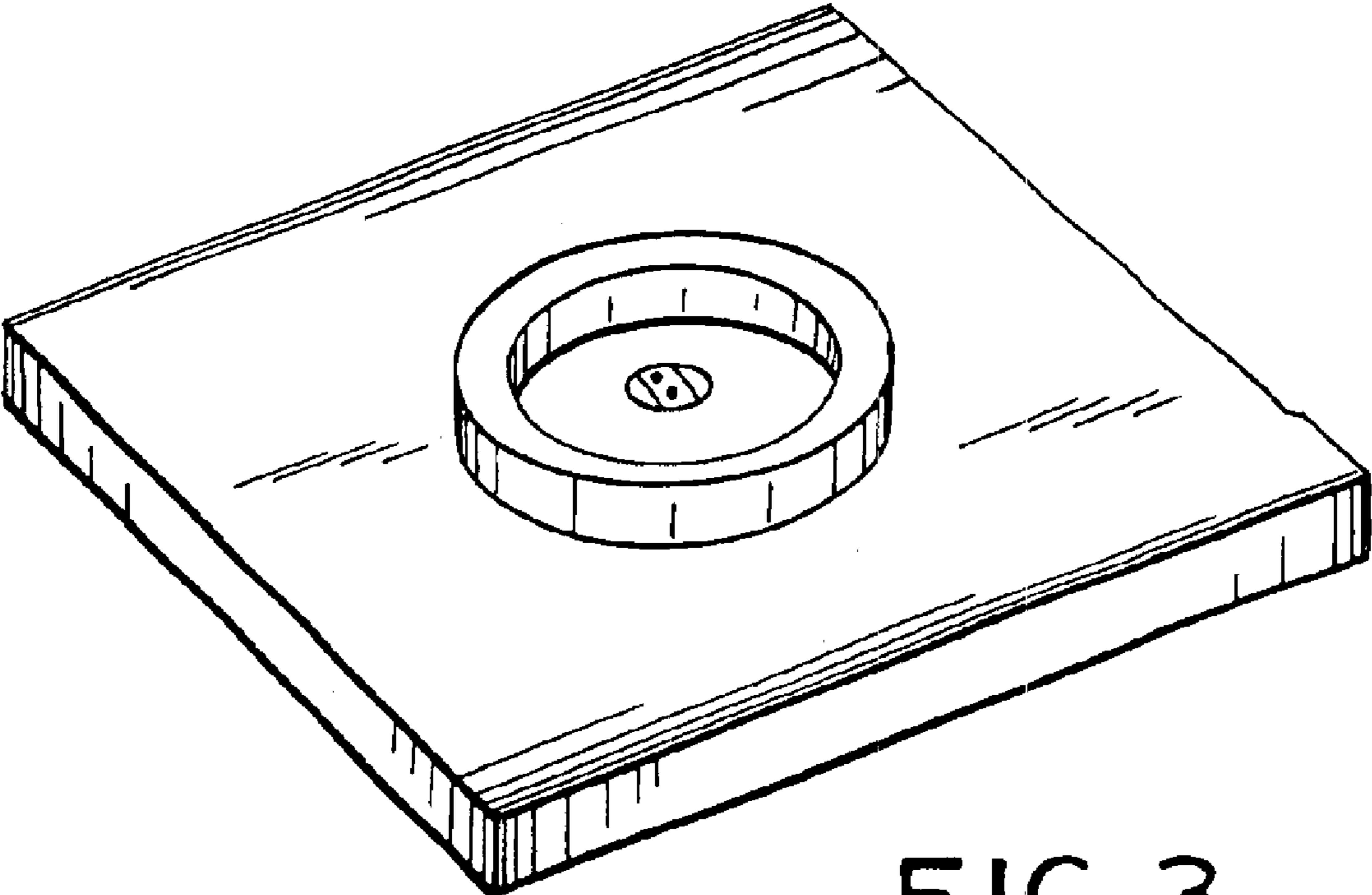


FIG.3

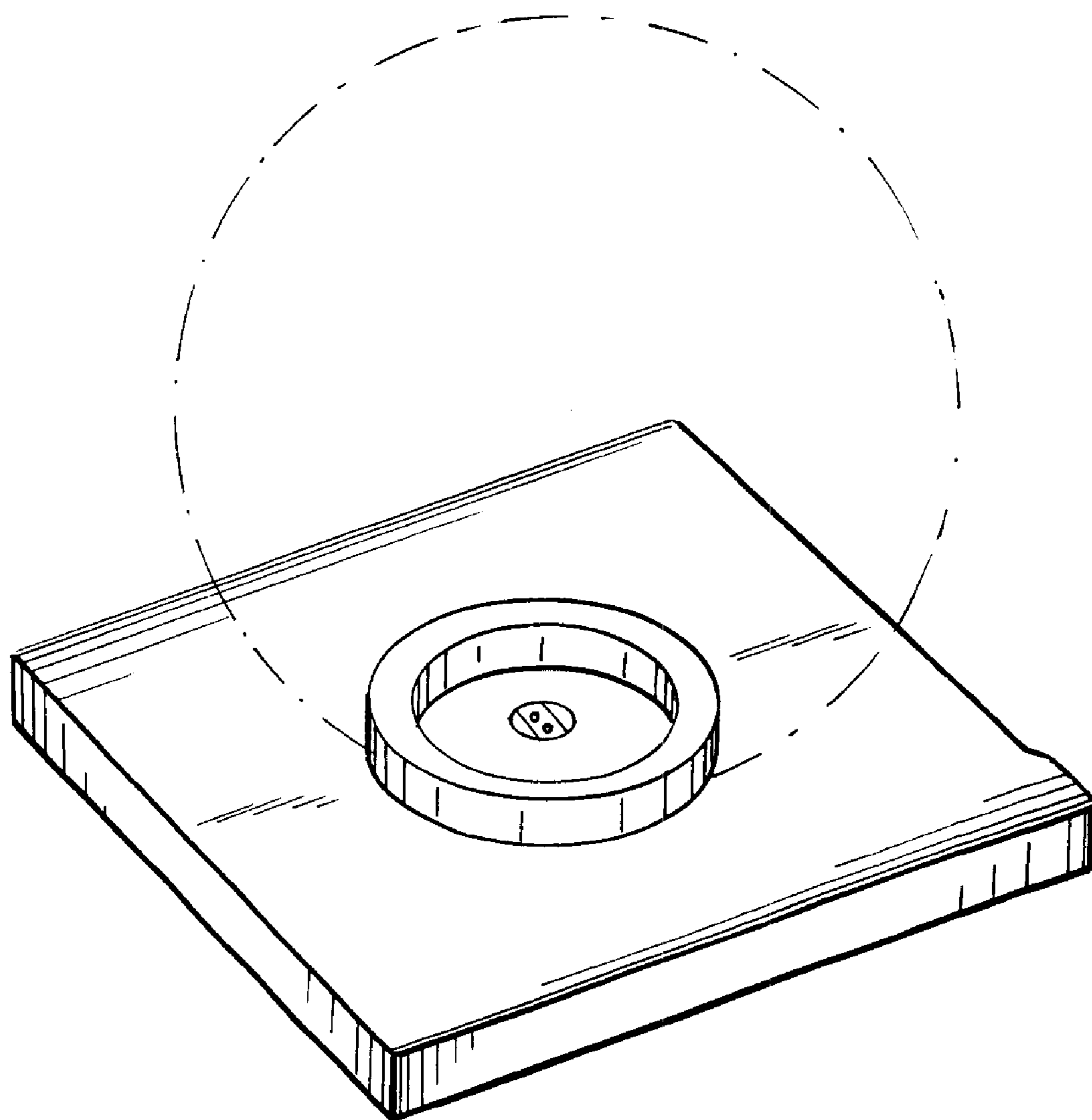


FIG.4