

US00D501269S

(12) **United States Design Patent**
Parres

(10) **Patent No.:** **US D501,269 S**
(45) **Date of Patent:** **** Jan. 25, 2005**

(54) **LIGHTING FIXTURE SUPPORT**

(75) Inventor: **Miguel Parres**, Alta Loma, CA (US)

(73) Assignee: **Minka Lighting, Inc.**, Corona, CA (US)

(**) Term: **14 Years**

(21) Appl. No.: **29/193,881**

(22) Filed: **Nov. 13, 2003**

(51) **LOC (7) Cl.** **26-03**

(52) **U.S. Cl.** **D26/80; D26/155**

(58) **Field of Search** D26/72, 80, 92,
D26/85-87, 145, 155; 362/147, 432

(56) **References Cited**

U.S. PATENT DOCUMENTS

D416,643 S * 11/1999 Benghozi D26/86

OTHER PUBLICATIONS

“Calypso” 3-Light Bath Fixture #45482 from bellacor.com.
(1 page) Found online Sep. 1, 2004.*

“Vista” Collection Bath Light #43212 from lampsplus.com.
(1 page) Found online Sep. 1, 2004.*

Bath Fixture #5229NCH from p. 279 of the Kichler Lighting
2004 Catalog.*

U.S. patent application Ser. No. 29/193,836, Parres, filed
Nov. 13, 2003.

U.S. patent application Ser. No. 29/193,829, Parres, filed
Nov. 13, 2003.

U.S. patent application Ser. No. 29/193,830, Parres, filed
Nov. 13, 2003.

U.S. patent application Ser. No. 29/193,883, Parres, filed
Nov. 13, 2003.

U.S. patent application Ser. No. 29/193,887, Parres, filed
Nov. 13, 2003.

Minka Aire Two Thousand Two; pp. 129-130, Apr. 22,
2002, Minka Lighting, Inc. USA.

Minka Aire Two Thousand Three; pp. 224-225, 303, 376,
385, Jan. 2003, Minka Lighting, Inc. USA.

Home Depot Advertisement, Hampton Bay Collection,
Items E and G, Oct. 2003, The Home Depot, Inc. USA.

Lowe’s Advertisement, Kichler Paces Collection, Items E
and H, Sep. 2003, Lowe’s, Inc.

Single Wall or Ceiling Light in Brushed Steel, SKU #
038397, Oct. 2003, www.lampsontheweb.com.

Chandelier 5 Light Incandescent, 2005NI, Oct. 2003,
Kichler, Inc.

Kichler Catalog No. 102, pp. 132-133; 1883NCH,
1885NCH, 2785NCH, 2002, Kichler, Inc.

Kichler Catalog No. 104, pp. 114, 115, 274 and 278;
2020AB, 2771AB, 2019AB, 2520AB, 6322NI, 5227NCH,
2002, Kichler, Inc.

* cited by examiner

Primary Examiner—Clare E Hefflin

(74) *Attorney, Agent, or Firm*—Jenkins & Gilchrist A
Professional Corporation

(57) **CLAIM**

The ornamental design for the lighting fixture support, as
shown and described.

DESCRIPTION

FIG. 1 is a perspective view from above of a lighting fixture
support in accordance with my design, shown in its envi-
ronment;

FIG. 2 is a perspective view from below of the lighting
fixture support in accordance with my design, shown in its
environment;

FIG. 3 is a top plan view of the lighting fixture support in
accordance with my design, shown in its environment;

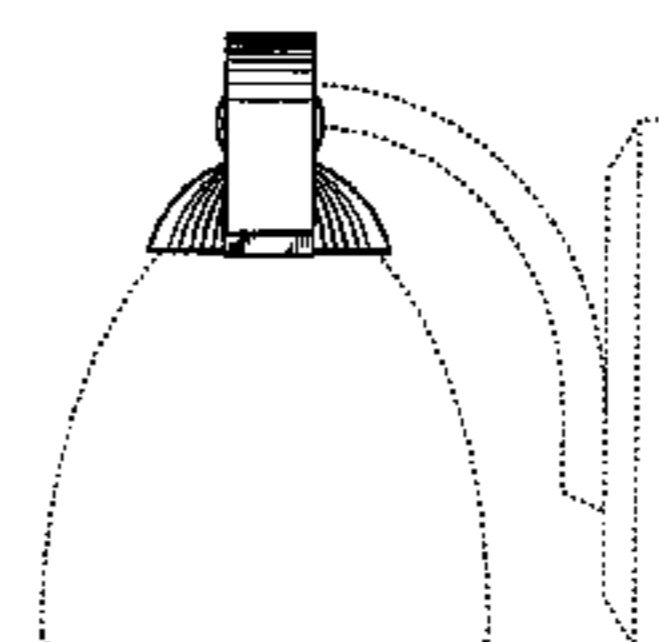
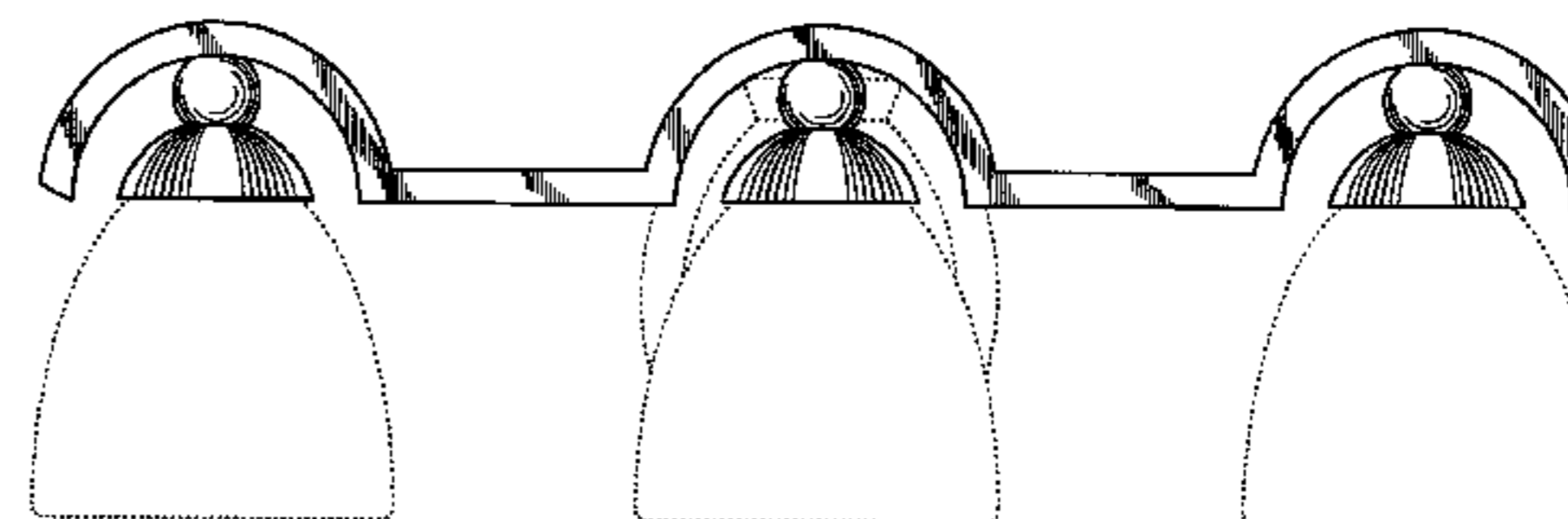
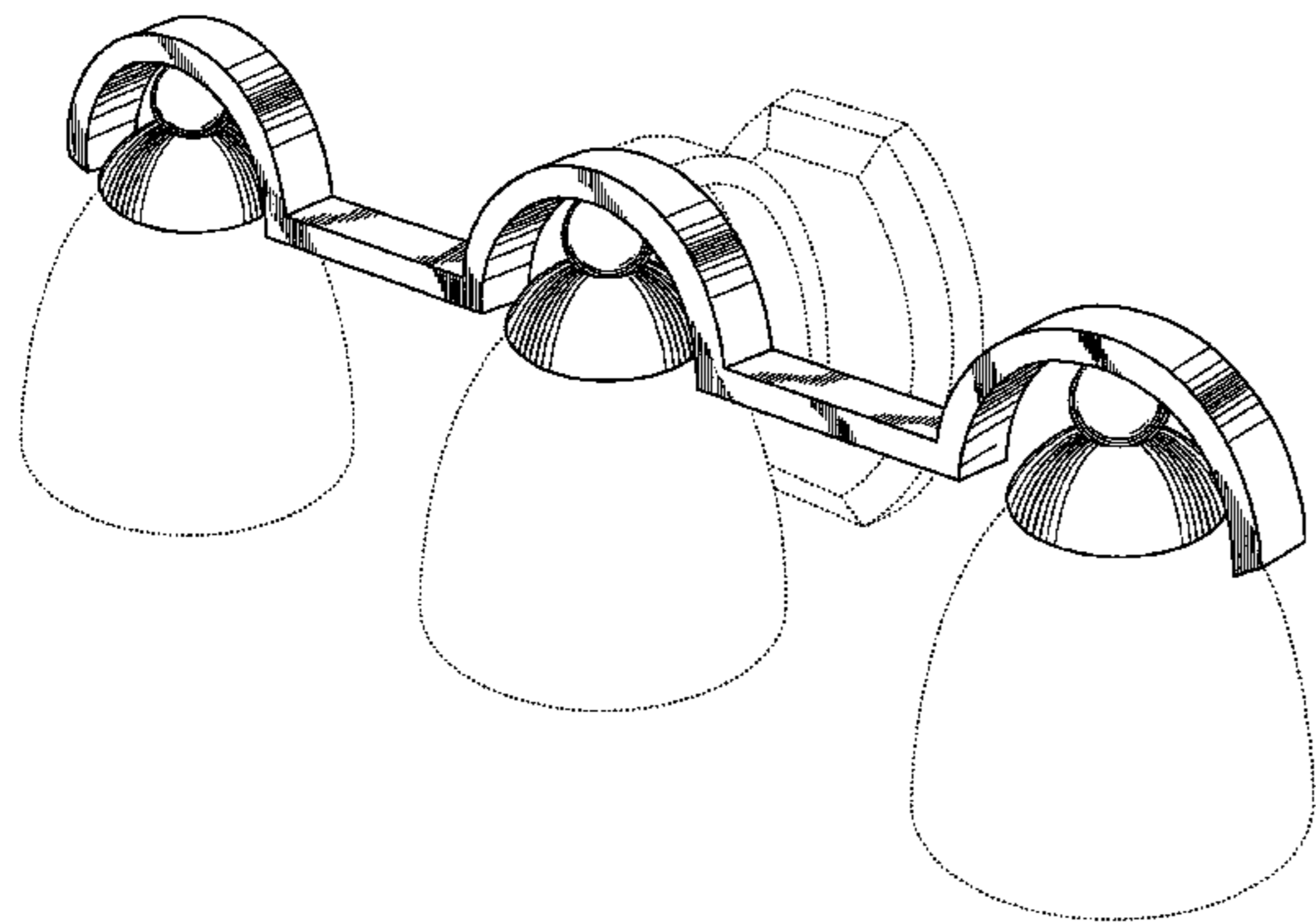
FIG. 4 is a front elevation view of the lighting fixture support
in accordance with my design, shown in its environment;

FIG. 5 is a bottom plan view of the lighting fixture support
in accordance with my design, shown in its environment;
and,

FIG. 6 is a side elevation view of the lighting fixture support
in accordance with my design, shown in its environment.

The broken lines showing environmental structure are for
illustrative purposes and form no part of the claimed design.

1 Claim, 4 Drawing Sheets



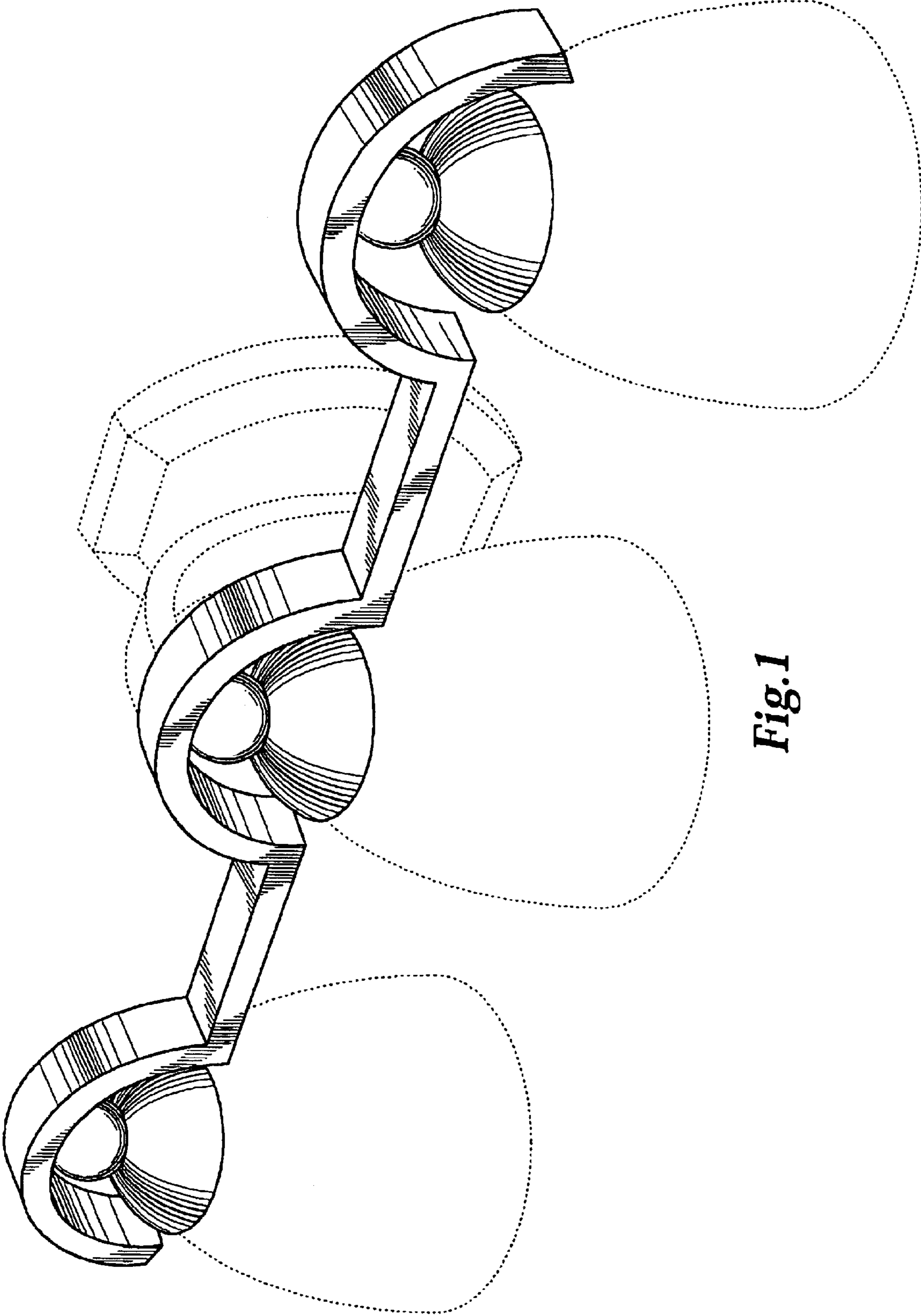


Fig. 1

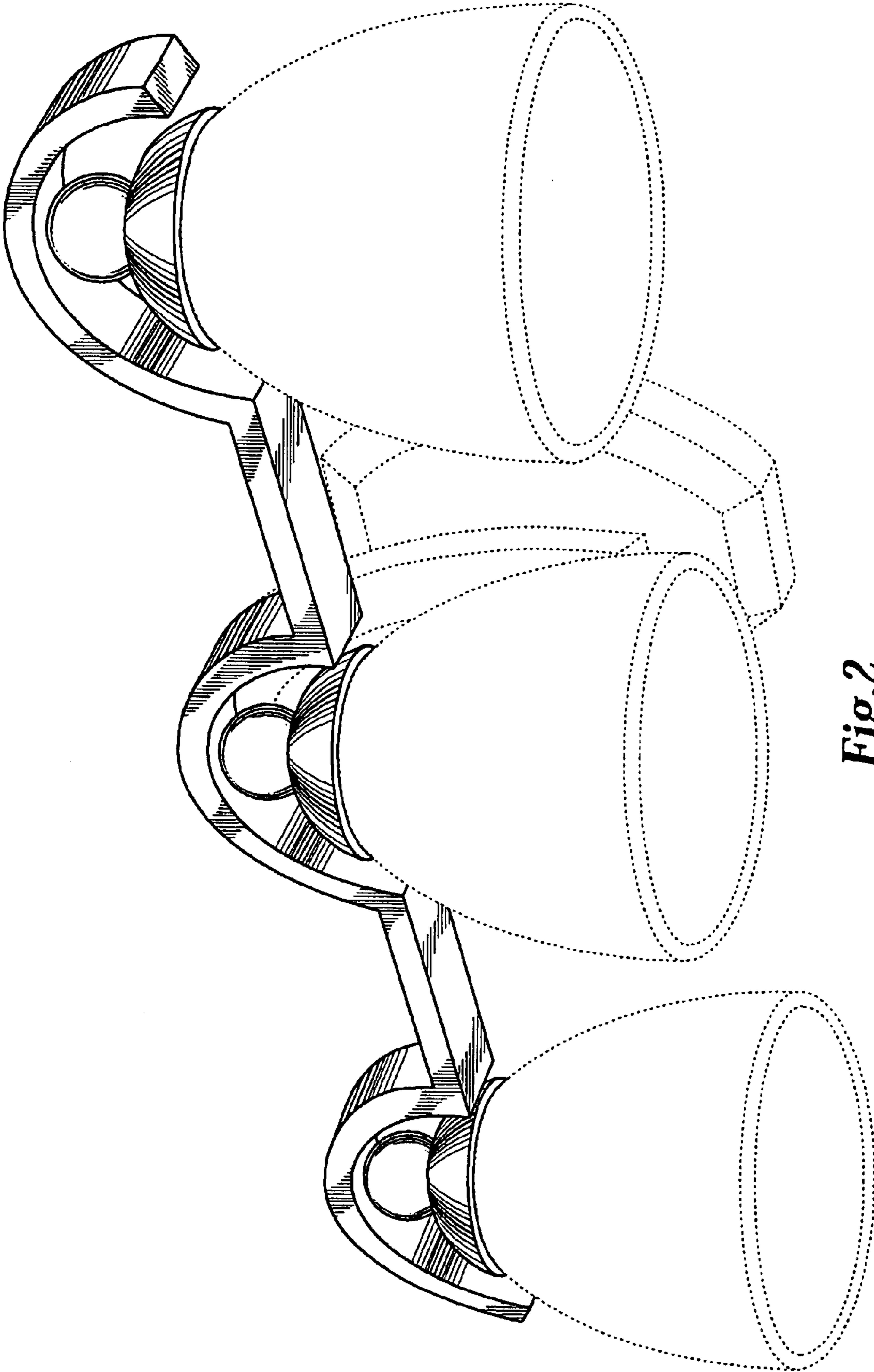


Fig. 2

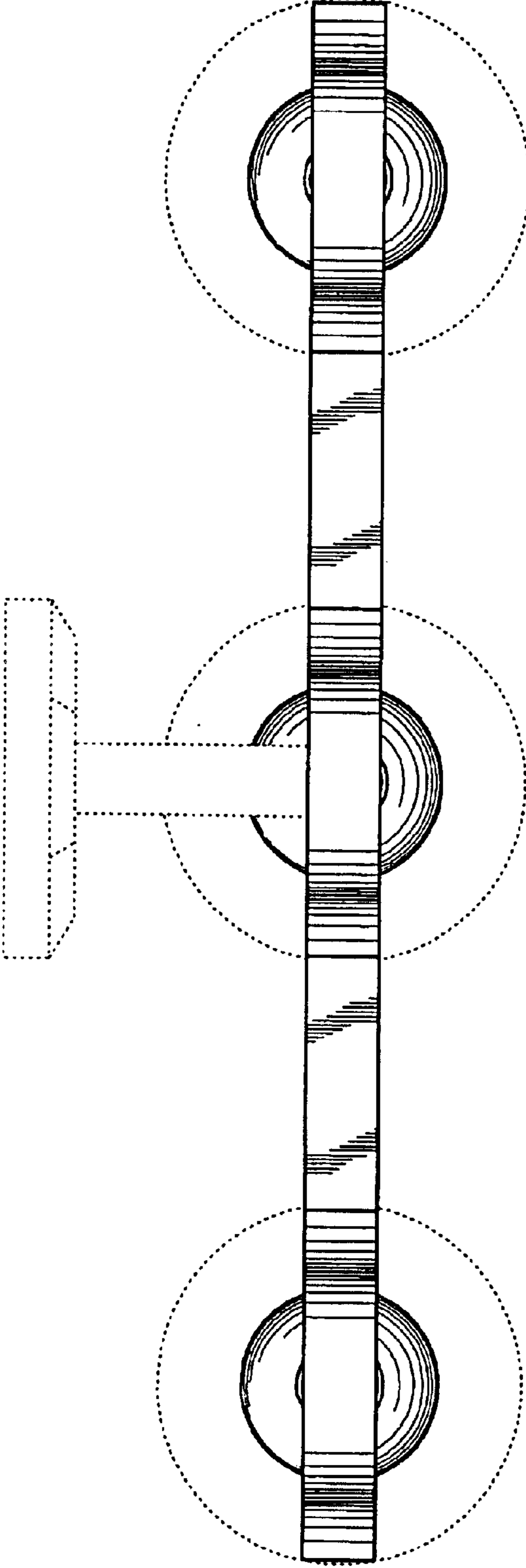


Fig. 3

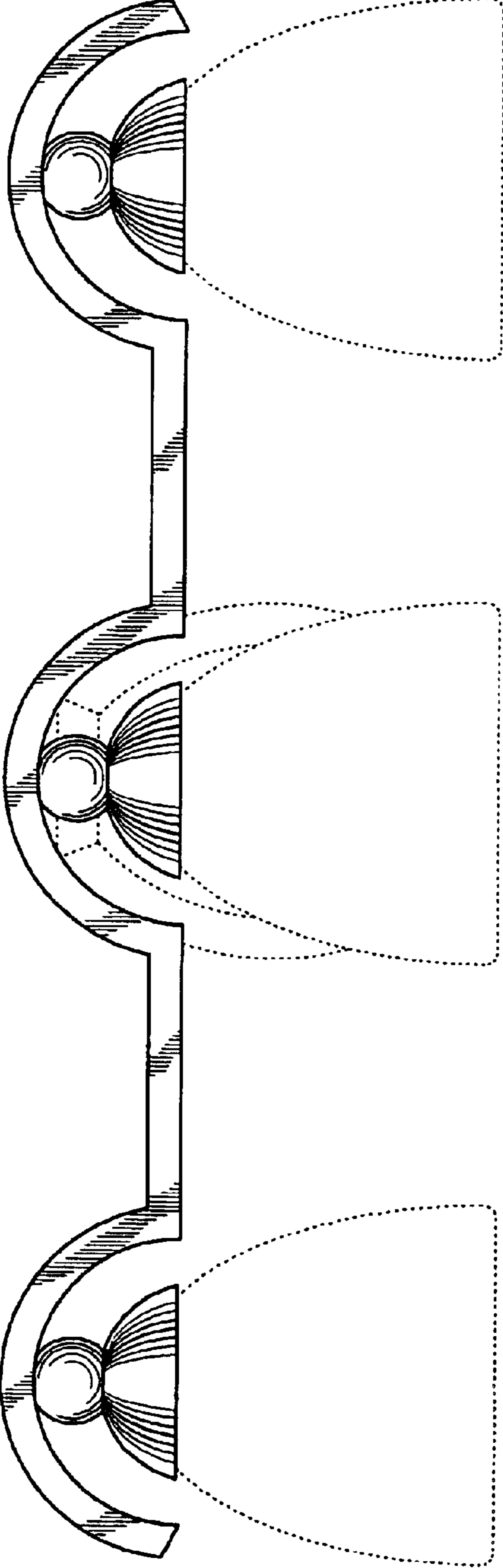


Fig. 4

