

US00D501268S

(12) **United States Design Patent**
Yuen

(10) **Patent No.:** **US D501,268 S**
(45) **Date of Patent:** **** Jan. 25, 2005**

(54) **RECHARGEABLE HALOGEN LANTERN**

Primary Examiner—Marcus A. Jackson

(76) **Inventor:** **Se Kit Yuen**, 6/F., Yau Lee Centre, 45
Hoi Yuen Road, Kwun Tong, Hong
Kong (CN)

(57) **CLAIM**

The ornamental design for a rechargeable halogen lantern, as
shown and described.

(**) **Term:** **14 Years**

DESCRIPTION

(21) **Appl. No.:** **29/208,234**

FIG. 1 is a front view showing my new design.

(22) **Filed:** **Jun. 25, 2004**

FIG. 2 is a rear view thereof.

(51) **LOC (7) Cl.** **26-02**

FIG. 3 is a side end view thereof.

(52) **U.S. Cl.** **D26/44**

FIG. 4 is other side view thereof.

(58) **Field of Search** D26/37-50; 362/157,
362/158, 171-174, 183-208

FIG. 5 is a top view thereof; and,

FIG. 6 is a bottom view thereof.

(56) **References Cited**

The surface(s) or portion(s) of the article not shown in the
drawing or described in the specification form(s) no part of
the claimed design.

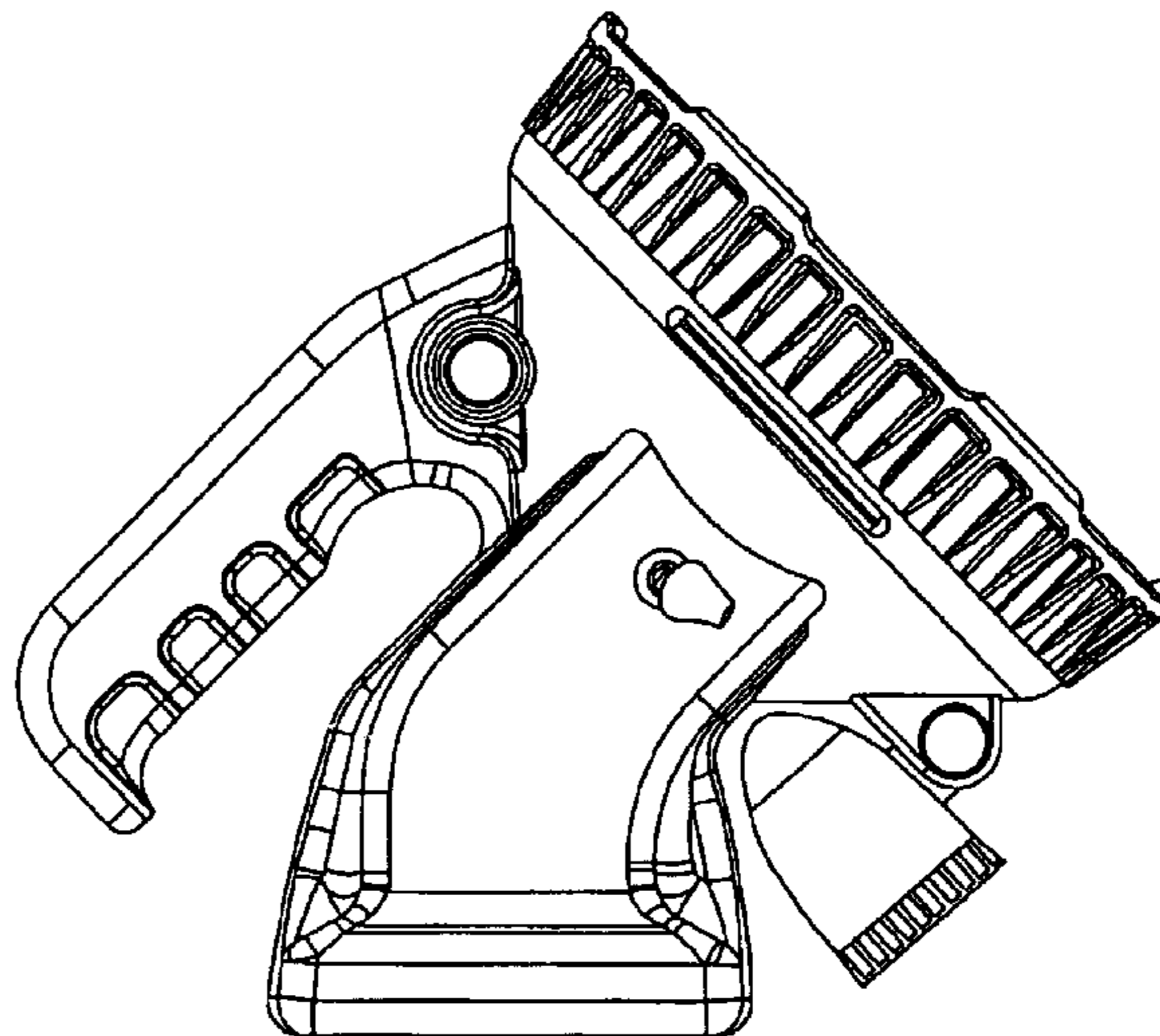
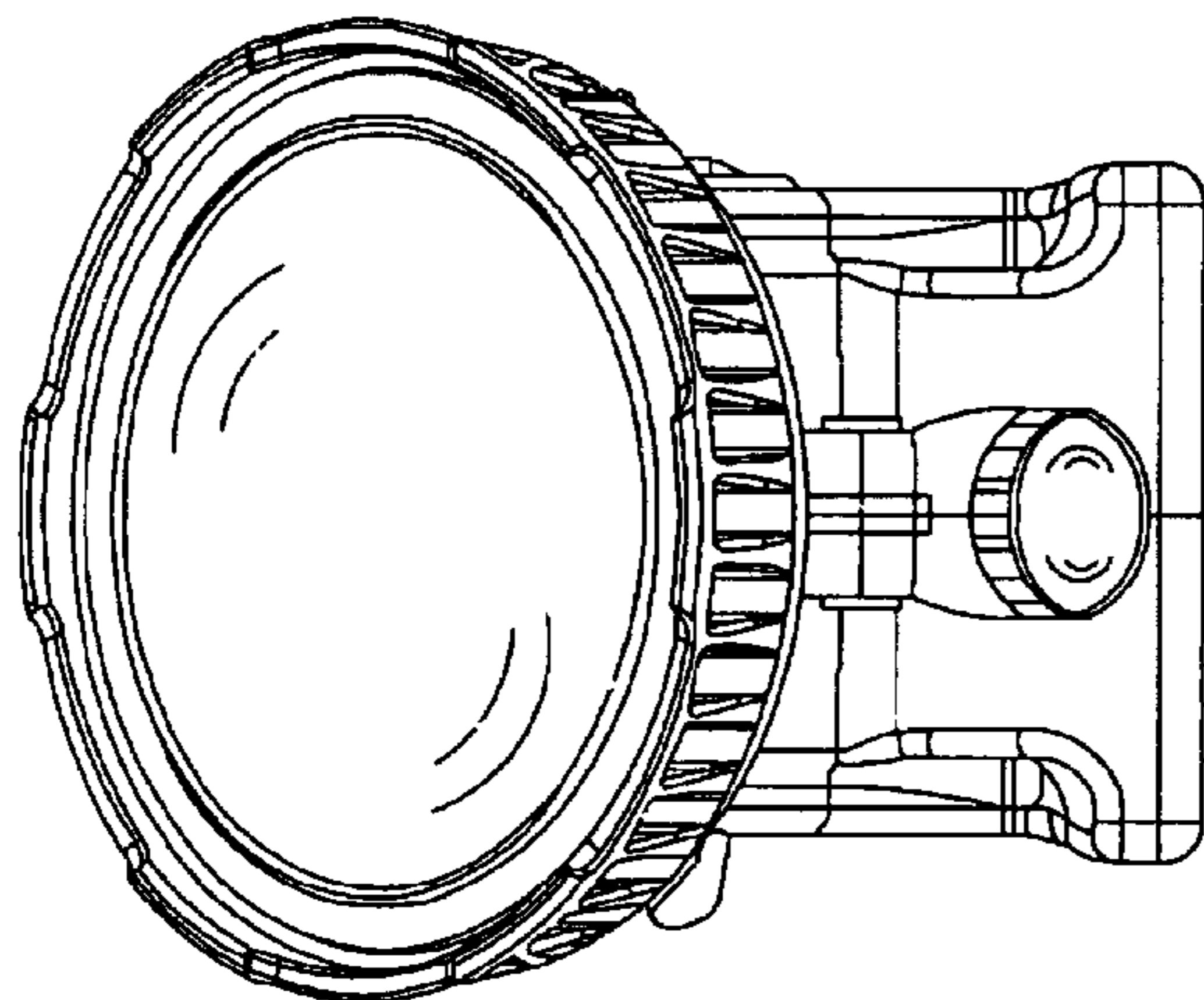
U.S. PATENT DOCUMENTS

D438,669 S * 3/2001 Johnson D26/44

D453,047 S * 1/2002 Yuen D26/44

* cited by examiner

1 Claim, 6 Drawing Sheets



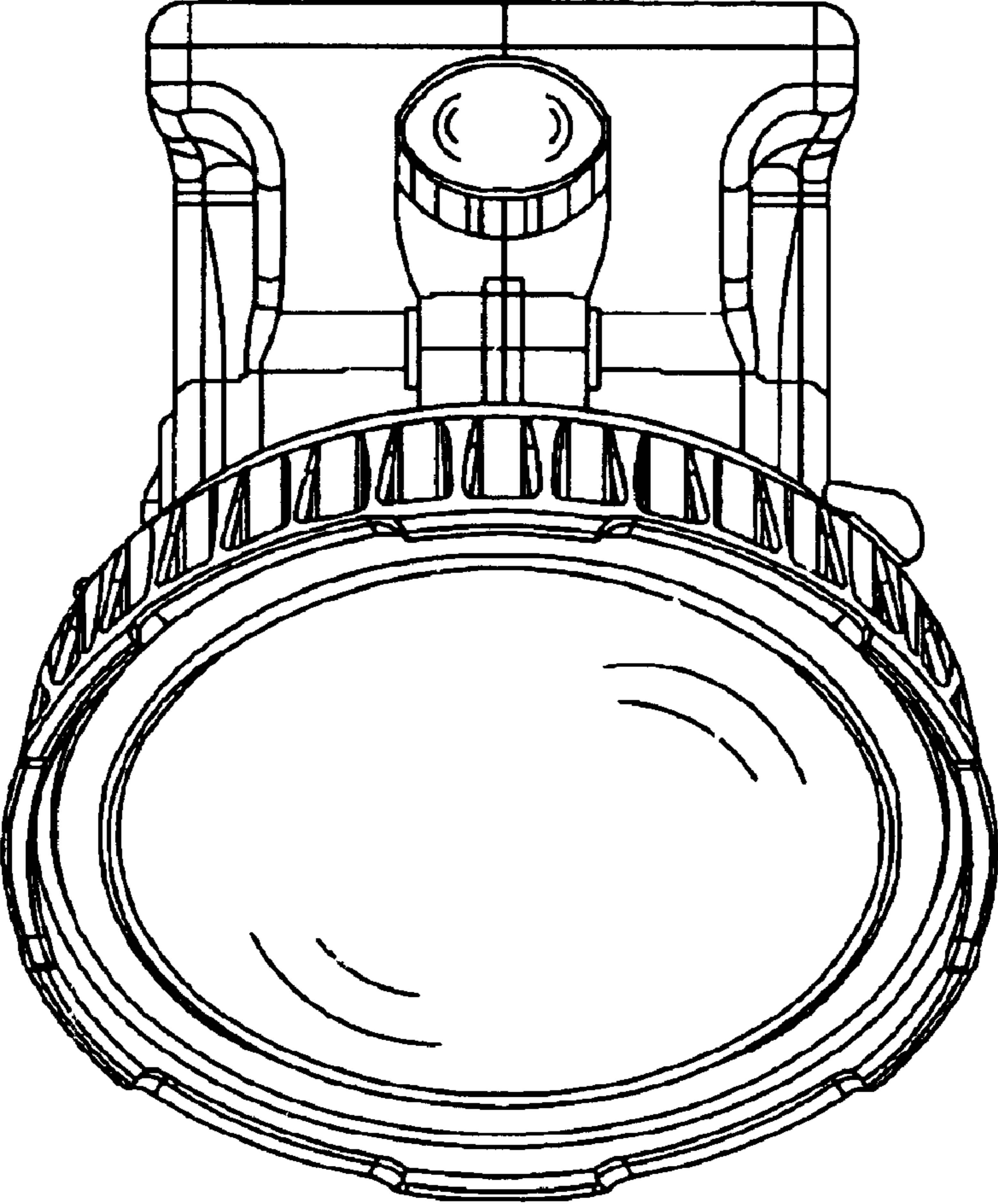


FIG. 1

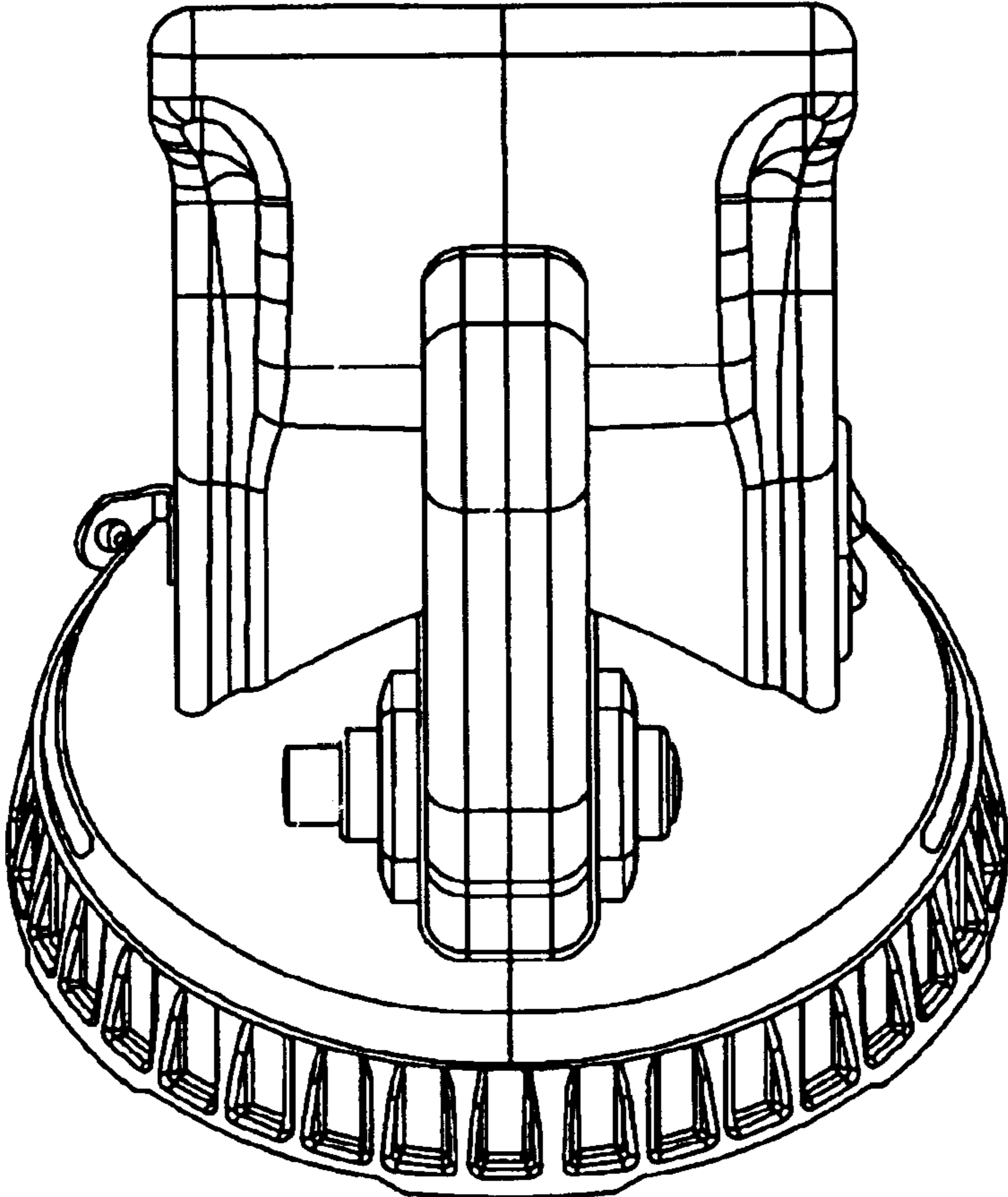


FIG. 2

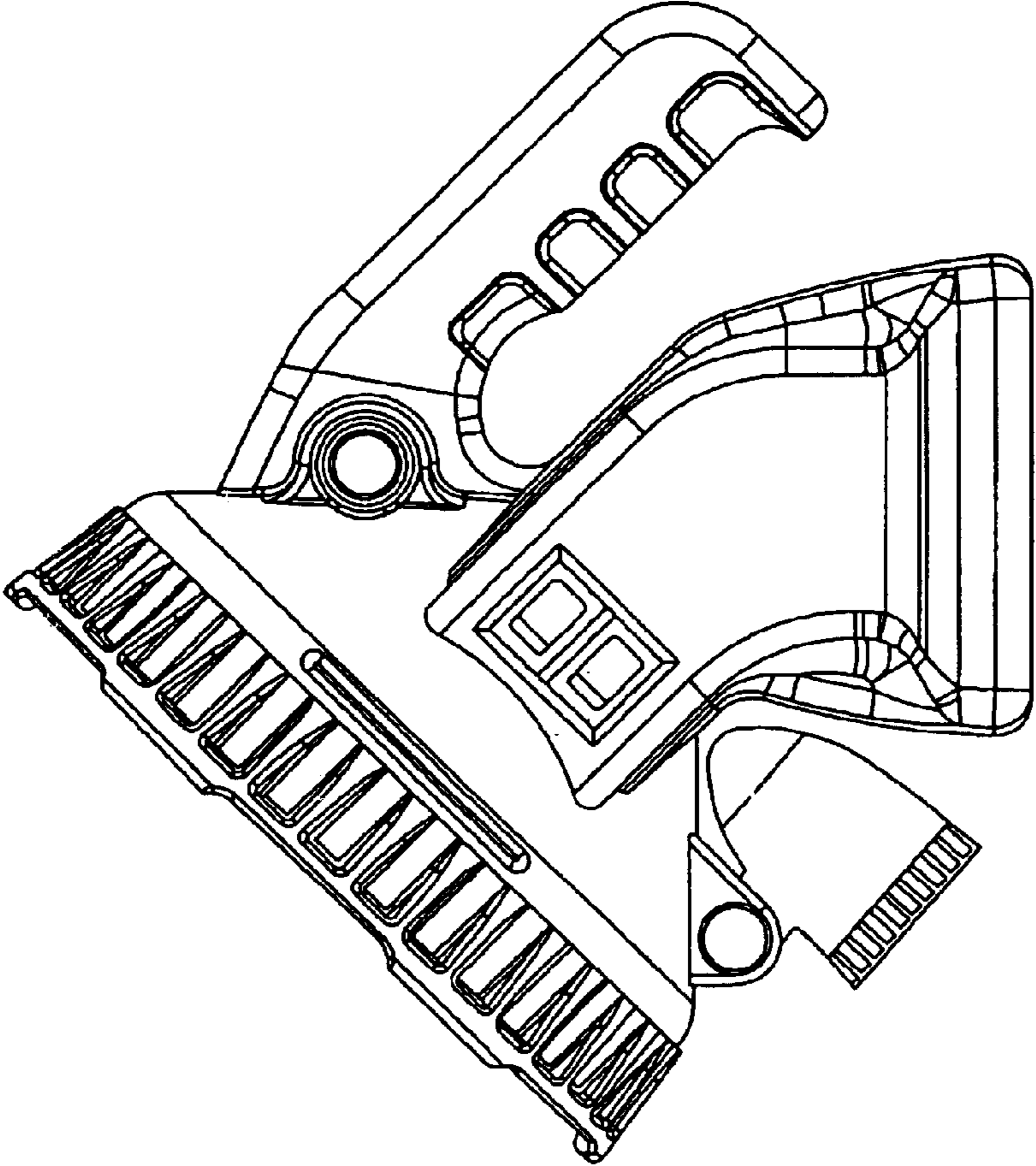


FIG 3

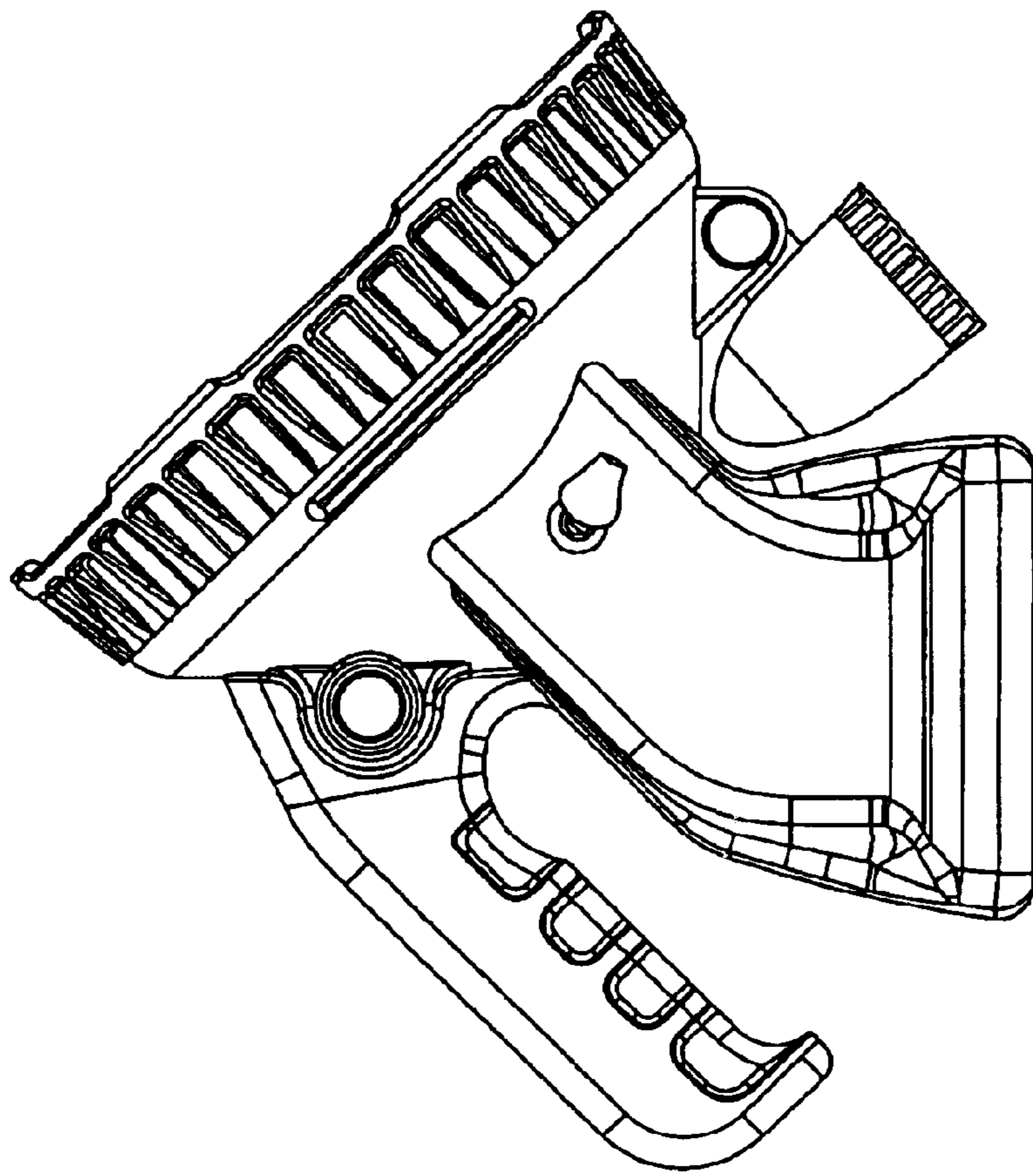


FIG. 4

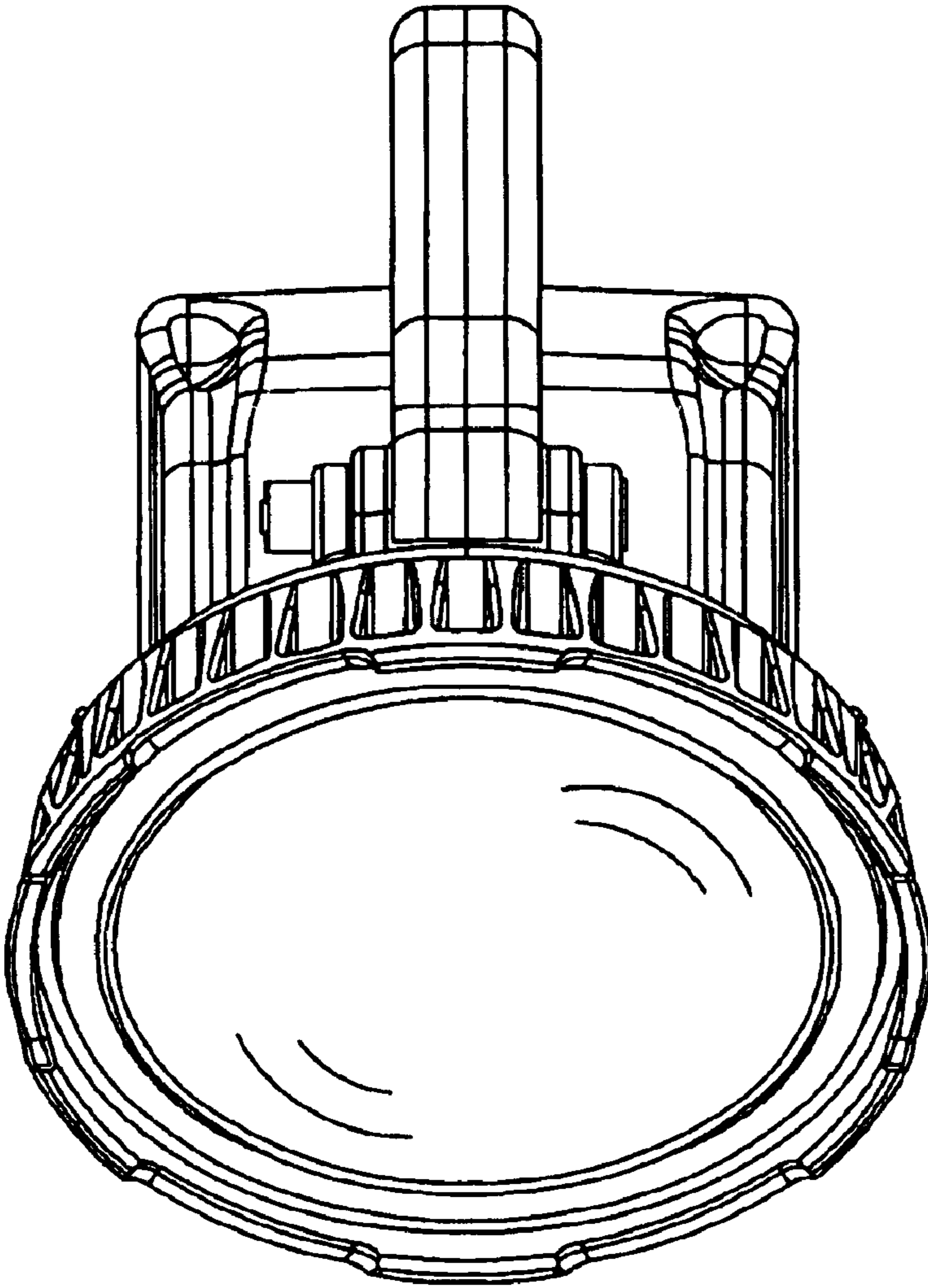


FIG. 5

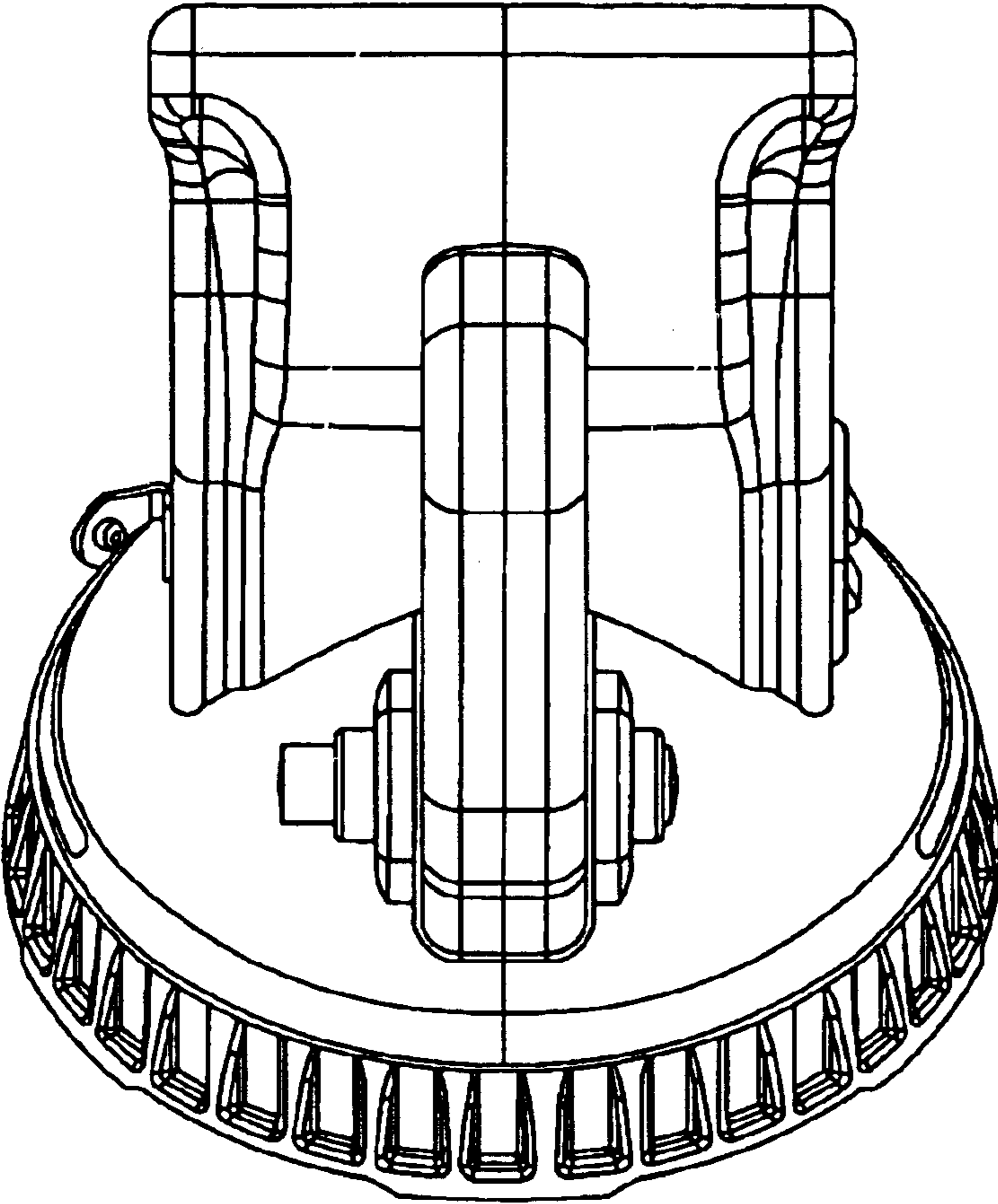


FIG. 6