

US00D501251S

(12) **United States Design Patent**
Hidalgo

(10) **Patent No.:** **US D501,251 S**
(45) **Date of Patent:** **** Jan. 25, 2005**

(54) **COMBINATION CEILING FAN BLADE AND
BLADE ATTACHMENT ASSEMBLY**

(75) Inventor: **Rolando Hidalgo**, Orange, CA (US)

(73) Assignee: **Minka Lighting, Inc.**, Corona, CA
(US)

(**) Term: **14 Years**

(21) Appl. No.: **29/190,027**

(22) Filed: **Sep. 12, 2003**

(51) **LOC (7) Cl.** **23-04**

(52) **U.S. Cl.** **D23/411**

(58) **Field of Search** D23/413, 411,
D23/877, 379, 385; 416/5, 210 R; 392/364

(56) **References Cited**

U.S. PATENT DOCUMENTS

D433,748 S	11/2000	Frampton	D23/413
D437,047 S	1/2001	Frampton	D23/413
D437,406 S	2/2001	Frampton	D23/413
D454,634 S	3/2002	Frampton	D23/413
D458,675 S	* 6/2002	Tai	D23/413
D476,729 S	* 7/2003	Moody et al.	D23/413
D477,073 S	* 7/2003	Hsieh	D23/413

OTHER PUBLICATIONS

Minka Aire Two Thousand Three; p. 46, Jan. 2003, Minka Lighting, Inc. USA.

Fanimation Ceiling Fan Internet Catalog; Tropicana, Model #FP 1620N0 printed from www.ceilingfan.com, Jul. 2, 2003, Fanimation.

Emerson Ceiling fan Internet Catalog; Maui Bay, printed from www.fanshack.com. Jul. 2, 2003, Emerson.

Hunter Ceiling Fan Internet Catalog; Caribbean Breeze; www.fanshack.com, Jul. 2, 2003, Hunter.

* cited by examiner

Primary Examiner—Lisa Lichtenstein

(74) *Attorney, Agent, or Firm*—Jenkins & Gilchrist A Professional Corporation

(57) **CLAIM**

The ornamental design for a combination ceiling fan blade and blade attachment assembly, as shown and described.

DESCRIPTION

FIG. 1 is a perspective view from below of a combination ceiling fan blade and blade attachment assembly in accordance with my design, including the environment thereof;

FIG. 2 is a perspective view from below of the combination ceiling fan blade and blade attachment assembly in accordance with my design;

FIG. 3 is an enlarged perspective view of the combination ceiling fan blade and blade attachment assembly in accordance with my design;

FIG. 4 is a bottom plan view of the combination ceiling fan blade and blade attachment assembly in accordance with my design;

FIG. 5 is a top plan view of the combination ceiling fan blade and blade attachment assembly in accordance with my design;

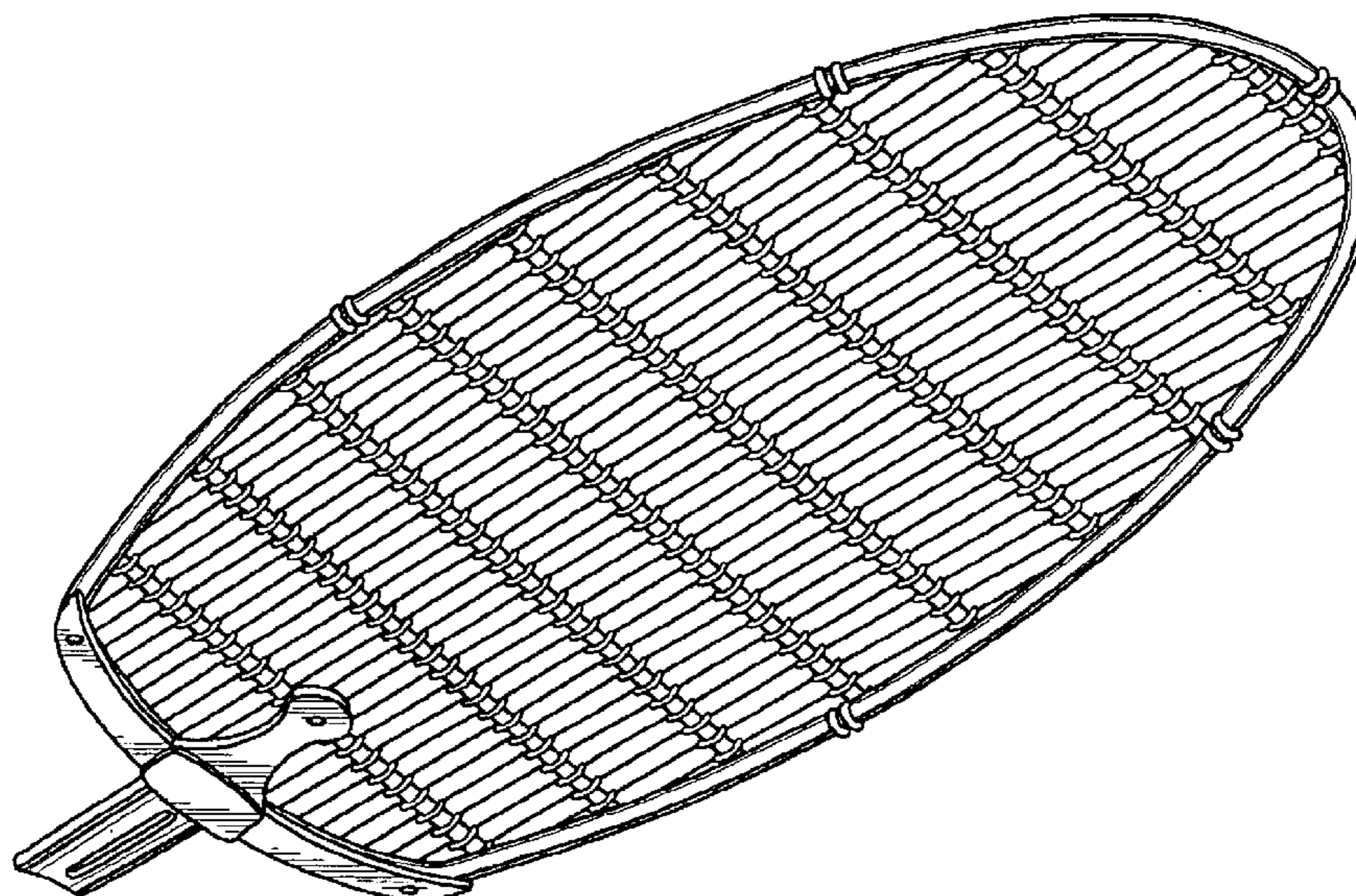
FIG. 6 is a rear end view of the combination ceiling fan blade and blade attachment assembly in accordance with my design; and,

FIG. 7 is a front end view of the combination ceiling fan blade and blade attachment assembly in accordance with my design.

The broken lines showing environmental structure are for illustrative purposes and form no part of the claimed design.

In FIG. 3 the fan blade is shown broken away to indicate indeterminate length.

1 Claim, 3 Drawing Sheets



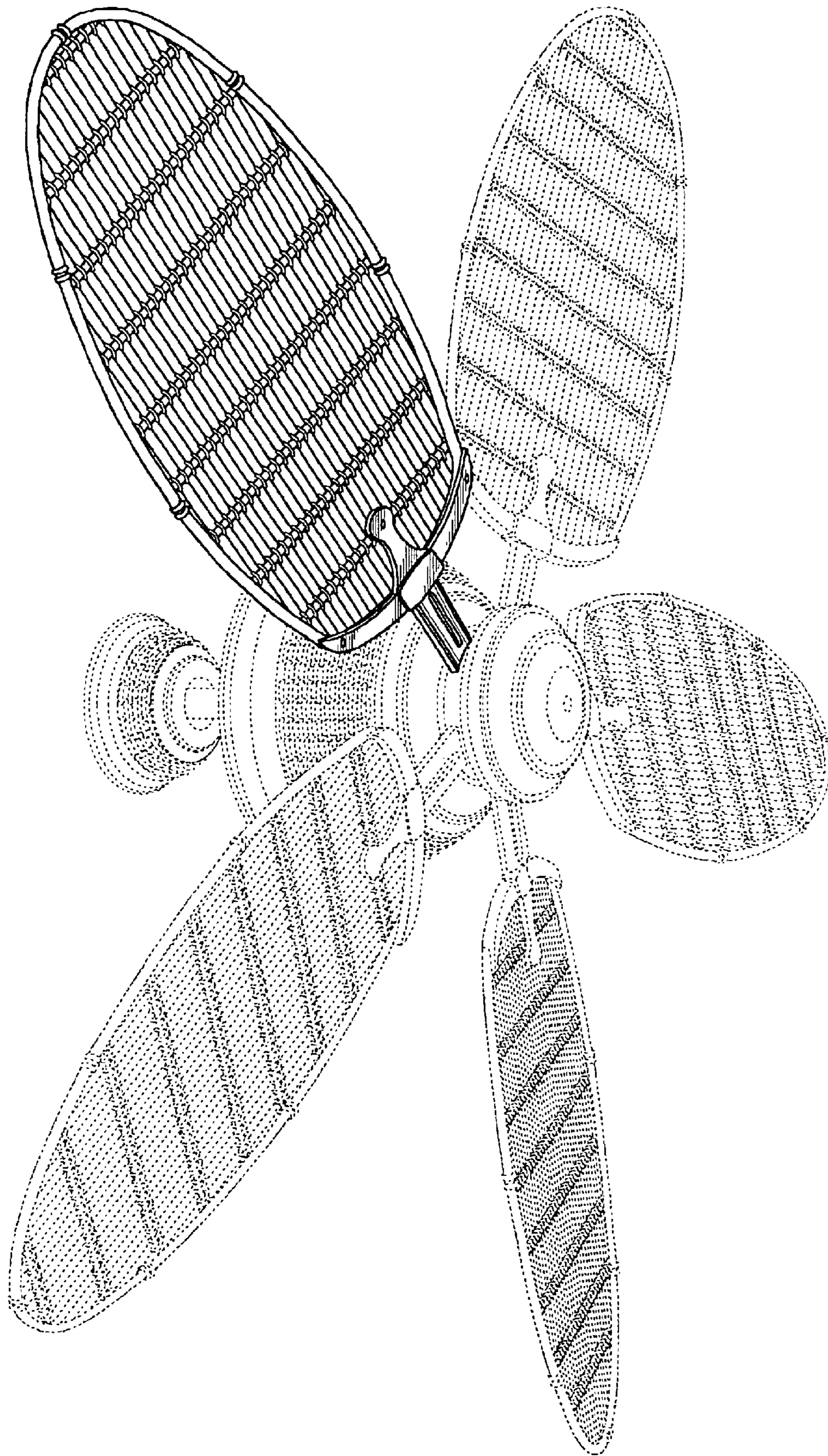


Fig. 1

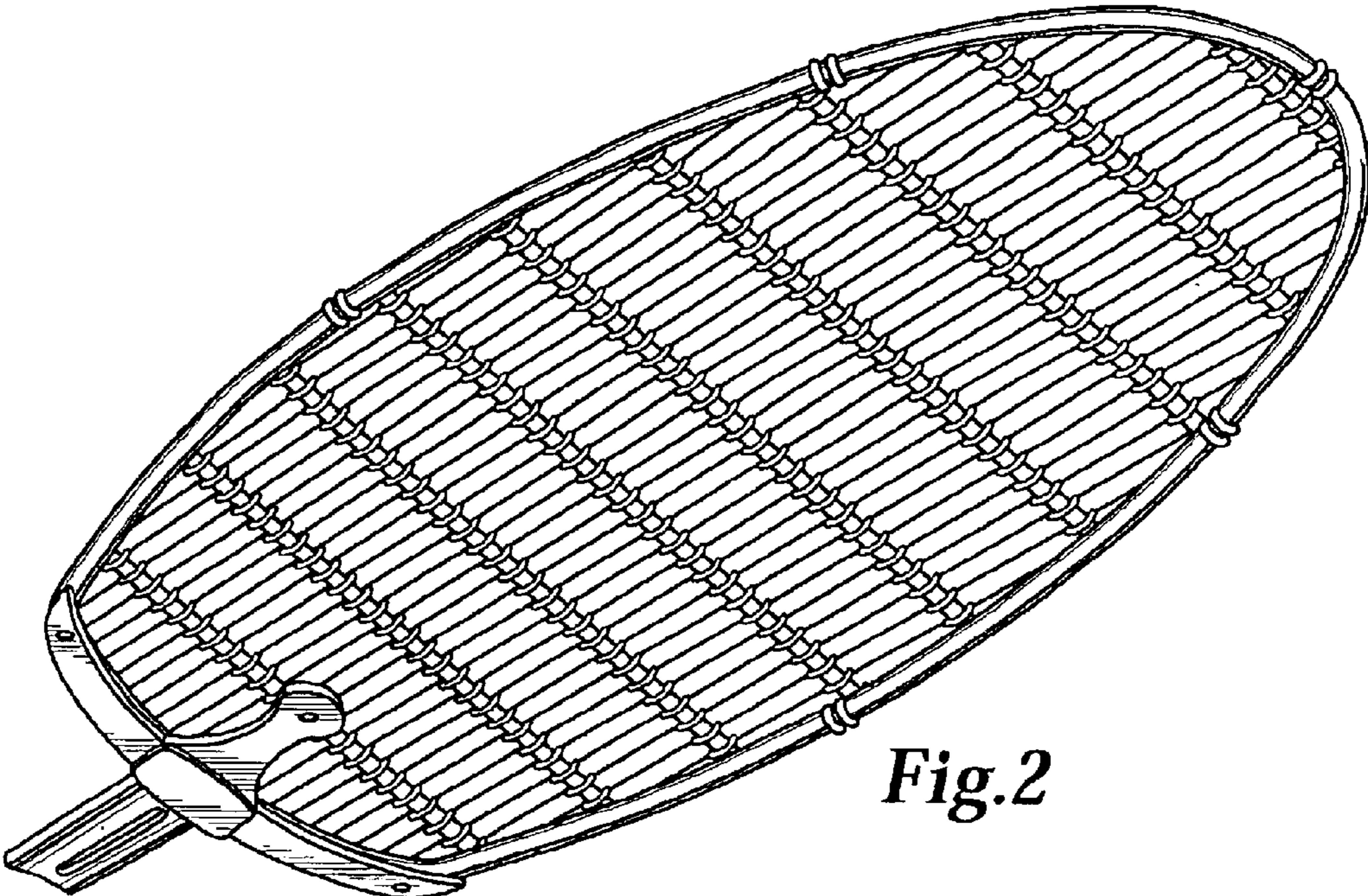


Fig.2

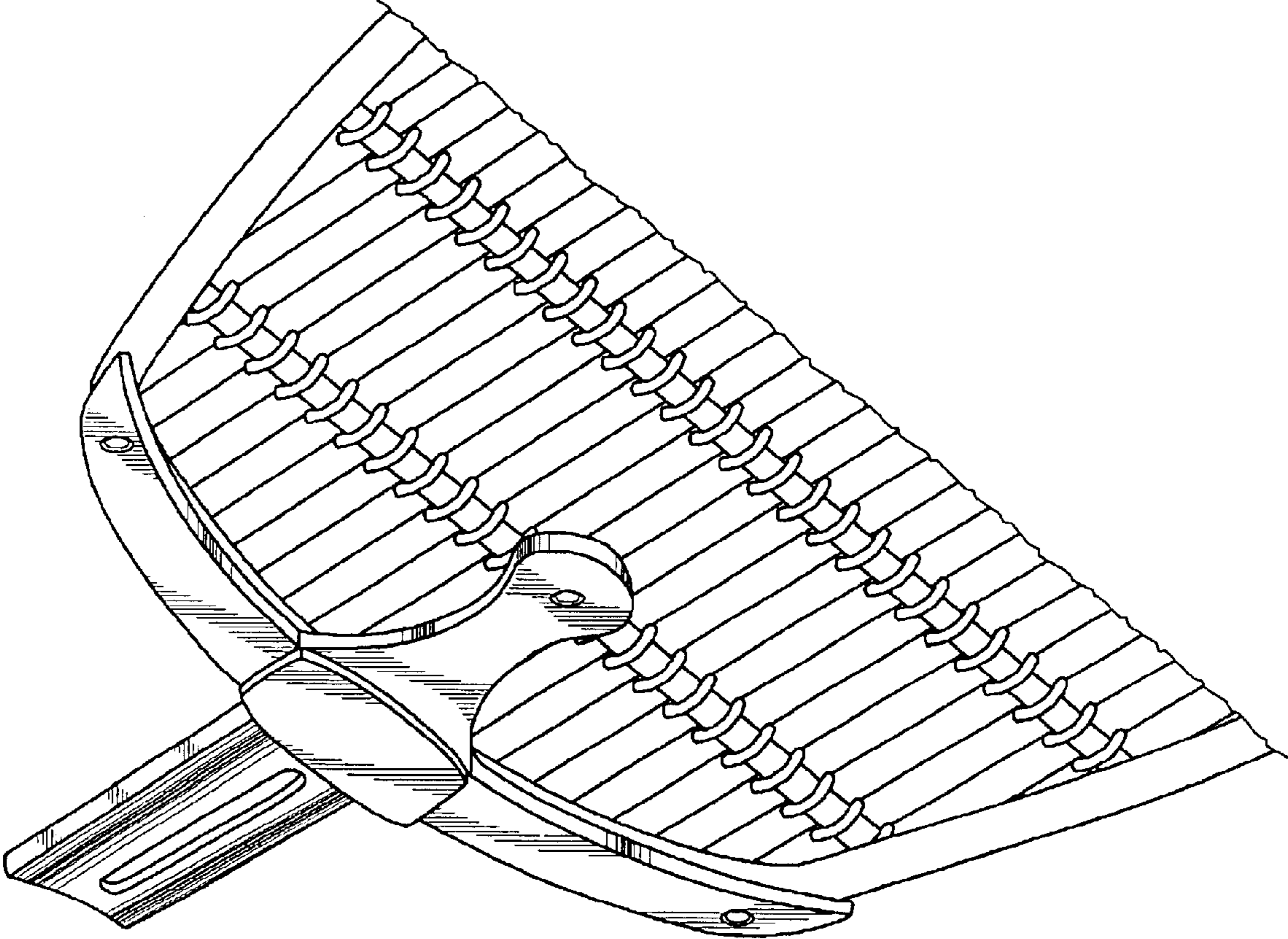


Fig.3

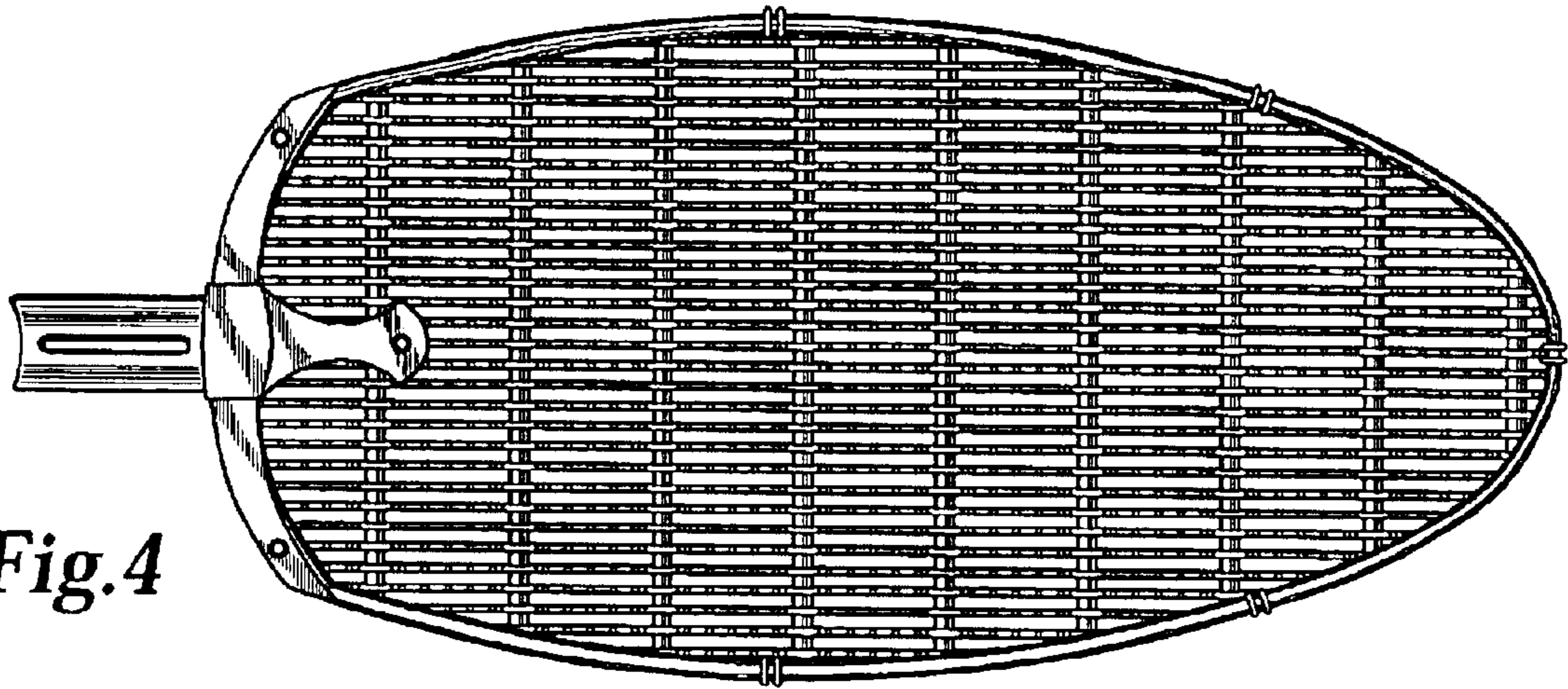


Fig. 4

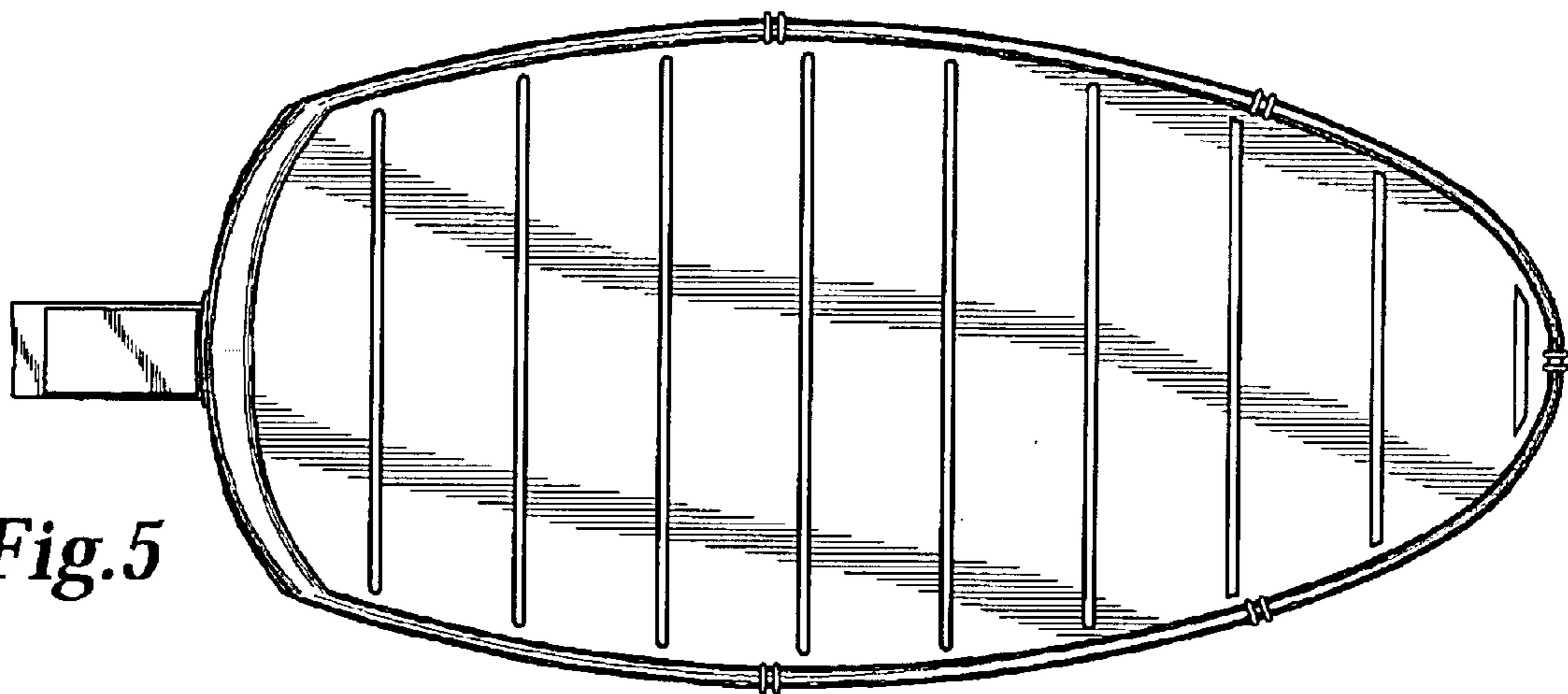


Fig. 5

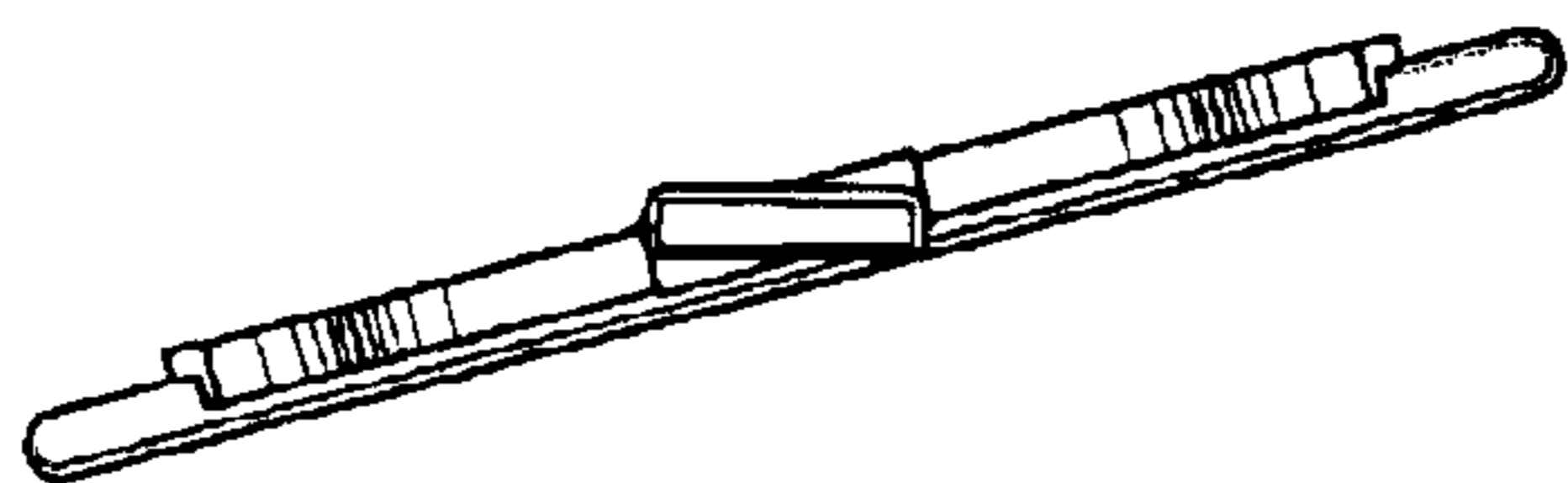


Fig. 6

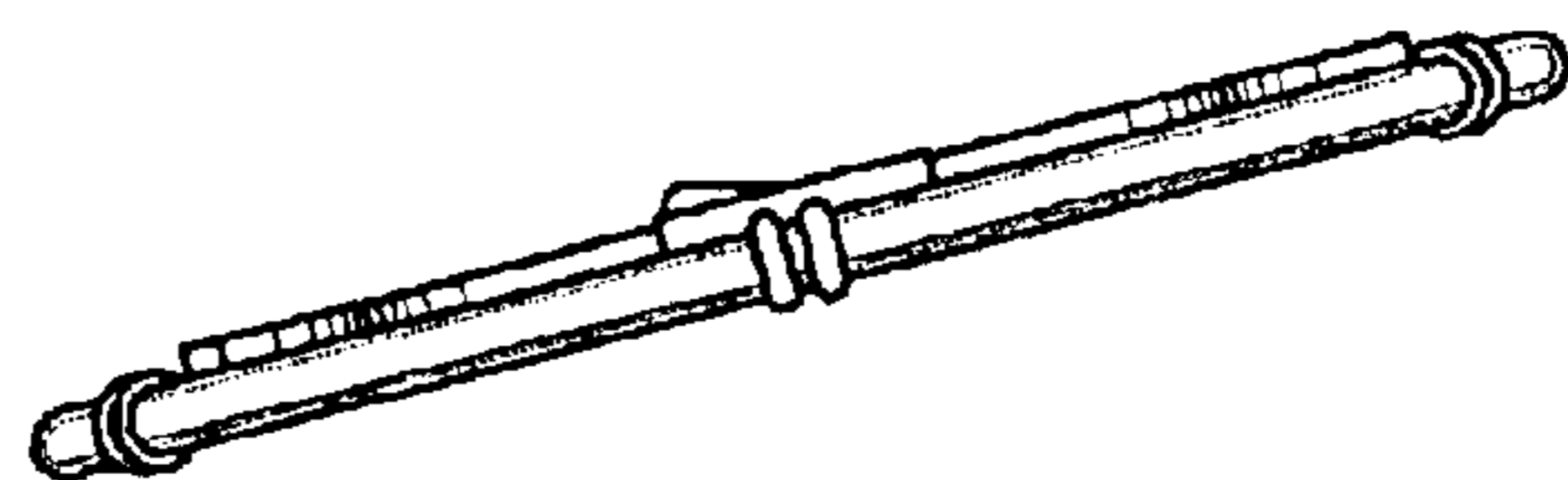


Fig. 7